



R410A

Commercial Air Conditioners

Service Manual



4TVH0086FE000AA

4TVH0096FE000AA

4TVH0115FE000AA

4TVH0140FE000AA

4TVH0155FE000AA

4TVH0170FE000AA

4TVH0192FE000AA

4TVH0210FE000AA

4TVH0229FE000AA

4TVH0249FE000AA

4TVH0268FE000AA

4TVH0290FE000AA

4TVH0307FE000AA

CONTENTS

Part 1 General Information.....	3
Part 2 Component Layout and Refrigerant Circuits	16
Part 3 Control	39
Part 4 Field Settings.....	53
Part 5 Electrical Components and Wiring Diagrams	59
Part 6 Diagnosis and Troubleshooting.....	72

Part 1

General Information

1	Indoor and Outdoor Unit Capacities	4
2	External Appearance	6
3	Nomenclature	8
4	Combination Ratio	10
5	Selection Procedure	11

1 Indoor and Outdoor Unit Capacities

1.1 Indoor Units

1.1.1 Standard indoor units

Table 1-1.1: Standard indoor unit abbreviation codes

Abbreviation code	Type
E	One-way Cassette
G	Two-way Cassette
B	Compact Four-way Cassette
C	Four-way Cassette
D	Medium Static Pressure Duct

Abbreviation code	Type
A	High Static Pressure Duct
W	Wall-mounted
X	Ceiling & Floor
S, N, U	Floor Standing

Table 1-1.2: Standard indoor unit capacity range

Capacity		Capacity index	E	G	B	C	D	A	G	X	S, N, U
kW	HP										
1.8	0.6	18	18	—	—	—	—	—	—	—	18
2.2	0.8	22	22	22	22	—	22	—	22	—	22
2.8	1	28	28	28	28	28	28	—	28	—	28
3.6	1.25	36	36	36	36	36	36	—	36	36	36
4.5	1.6	45	45	45	45	45	45	—	45	45	45
5.6	2	56	56	56	—	56	56	—	56	56	56
7.1	2.5	71	71	71	—	71	71	71	71	71	71
8.0	3	80	—	—	—	80	80	80	80	80	80
9.0	3.2	90	—	—	—	90	90	90	90	90	90
10.0	3.6	100	—	—	—	100	—	—	—	—	—
11.2	4	112	—	—	—	112	112	112	—	112	—
14.0	5	140	—	—	—	140	140	140	—	140	—
16.0	6	160	—	—	—	—	—	160	—	160	—
20.0	7	200	—	—	—	—	—	200	—	—	—
25.0	9	250	—	—	—	—	—	250	—	—	—
28.0	10	280	—	—	—	—	—	280	—	—	—
40.0	14	400	—	—	—	—	—	400	—	—	—
45.0	16	450	—	—	—	—	—	450	—	—	—
56.0	20	560	—	—	—	—	—	560	—	—	—

1.1.2 Fresh air processing unit

Table 1-1.3: Fresh air processing unit capacity range

Capacity	12.5kW	14kW	20kW	25kW	28kW
Capacity index	125	140	200	250	280

1.2 Heat recovery ventilator

Table 1-1.4: Heat recovery ventilator capacity range

Capacity	200m ³ /h	300m ³ /h	400m ³ /h	500m ³ /h	800m ³ /h	1000m ³ /h	1500m ³ /h	2000m ³ /h
----------	----------------------	----------------------	----------------------	----------------------	----------------------	-----------------------	-----------------------	-----------------------

1.3 Outdoor Units

Table 1-1.5: Outdoor unit capacity range

Capacity	Model Name
8HP	4TVH0086FE000AA
10HP	4TVH0096FE000AA
12HP	4TVH0115FE000AA
14HP	4TVH0140FE000AA
16HP	4TVH0155FE000AA
18HP	4TVH0170FE000AA
20HP	4TVH0192FE000AA
22HP	4TVH0210FE000AA
24HP	4TVH0229FE000AA
26HP	4TVH0249FE000AA
28HP	4TVH0268FE000AA
30HP	4TVH0290FE000AA
32HP	4TVH0307FE000AA

2 External Appearance

2.1 Indoor Units


2.1.1 Standard indoor units

Table 1-2.1: Standard indoor unit appearance

<p>One-way Cassette</p> <p>E</p> 	<p>Two-way Cassette</p> <p>G</p> 
<p>Compact Four-way Cassette</p> <p>B</p> 	<p>Four-way Cassette</p> <p>C</p> 
<p>Medium Static Pressure Duct</p> <p>D</p> 	<p>High Static Pressure Duct</p> <p>A</p> 
<p>Wall-mounted</p> <p>W</p> 	<p>Ceiling & Floor</p> <p>X</p> 
<p>Floor Standing</p> <p>S,N,U</p> 	


2.1.2 Fresh air processing unit

Table 1-2.2: Fresh air processing unit appearance

<p>Fresh Air Processing Unit</p> <p>F</p> 





2.2 Heat Recovery Ventilator

Table 1-2.3: Heat recovery ventilator appearance

<p>TERV</p> 

2.3 Outdoor Units

Table 1-2.4: Outdoor unit appearance

8/10/12HP (with single fan)	14/16/18HP (with single fan)	20/22HP (with dual fans)	24/26/28/30/32HP (with dual fans)
			

3 Nomenclature

3.1 Indoor Units

3.1.1 Standard indoor units

4 T V E 0 0 0 7 E F 0 0 0 A A
 1 2 3 4 5 6 7 8 9 10 11 12 13 14 15

Legend		
No.	Code	Remarks
1	4	R-410A
2	T	Trane
3	V	TVR
4		Indoor Unit Type E: One - Way Cassette G: Two - Way Cassette B: Compact Four - Way Cassette C: Four - Way Cassette D: Medium Static Pressure Duct A: High Static Pressure Duct W: Wall - Mounted C: Ceiling & Floor S, N, U: Floor Standing F: Fresh air processing unit
5	0	Currently not used
6	0	Btu/h x 1000
7	0	
8	7	
9	E	TVR Ultra
10	F	380V50-60Hz/1P
11	0	Currently not used
12	0	Currently not used
13	0	Currently not used
14	A	First design sequence
15	A	First service sequence

3.2 Heat recovery ventilator

AC Series

T E R V 0 1 2 0 A B 0 A A
 1 2 3 4 5 6 7 8 9 10 11 12 13

Legend		
No.	Code	Remarks
1	T	Energy recovery Fan Trane TVR
2	E	
3	R	
4	V	
5	0	CFM
6	1	
7	2	
8	0	
9	A	TVR
10	B	1: 380V/60Hz/1Ph B: 380/50Hz/1Ph
11	0	Currently not used
12	A	First design sequence
13	A	First service sequence

3.3 Outdoor Units

4 T V H 0 0 8 6 F E 0 0 0 A A
 1 2 3 4 5 6 7 8 9 10 11 12 13 14 15

Legend		
No.	Code	Remarks
1	4	R-410A
2	T	Trane
3	V	Air Cooled
4	H	Heat Pump
5	0	Currently not used
6	0	Btu/h x 1000
7	8	
8	6	
9	F	TVR Ultra-S
10	E	380V50-60Hz/1P
11	0	Currently not used
12	0	Currently not used
13	0	0: Standard C: Corrosion treatment
14	A	First design sequence
15	A	First design sequence

4 Combination Ratio

$$\text{Combination ratio} = \frac{\text{Sum of capacity indexes of the indoor units}}{\text{Capacity index of the outdoor unit}}$$

Table 1-4.1: Indoor and outdoor unit combination ratio limitations

Type	Minimum combination ratio	Maximum combination ratio		
		Standard indoor units only	Fresh air processing units only	Fresh air processing units and standard indoor units together
V6-i Series outdoor units	50%	130%	100%	100% ¹

Notes:

- When fresh air processing units are installed together with standard indoor units, the total capacity of the fresh air processing units must not exceed 30% of the capacity of the outdoor unit and the combination ratio must not exceed 100%.

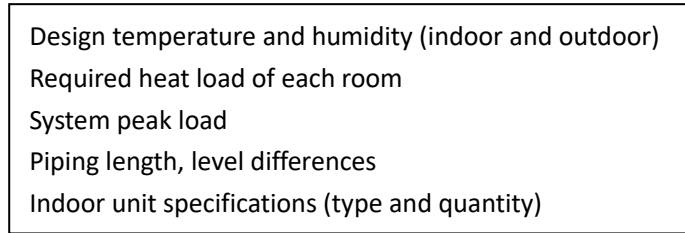
Table 1-4.2: Combinations of Indoor and outdoor units

Outdoor unit capacity			Sum of capacity indexes of connected indoor units (standard indoor units only)	Sum of capacity indexes of connected indoor units (fresh air processing units and standard indoor units together)	Maximum number of connected indoor units
kW	HP	Capacity index			
25.2	8	252	126 to 327.6	126 to 252	13
28.0	10	280	140 to 364	140 to 280	16
33.5	12	335	167.5 to 435.5	167.5 to 335	20
40.0	14	400	200 to 520	200 to 400	23
45.0	16	450	225 to 585	225 to 450	26
50.0	18	500	250 to 650	250 to 500	29
56.0	20	560	280 to 728	280 to 560	33
61.5	22	615	307.5 to 799.5	307.5 to 615	36
67.0	24	670	335 to 871	335 to 670	39
73.0	26	730	365 to 949	365 to 730	43
78.5	28	785	392.5 to 1020.5	392.5 to 785	46
85.0	30	850	425 to 1105	425 to 850	50
90.0	32	900	450 to 1170	450 to 900	53

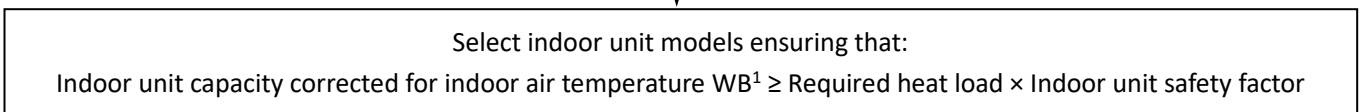
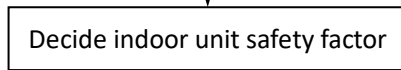
5 Selection Procedure

5.1 Procedure

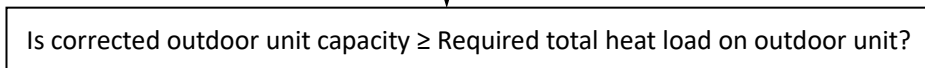
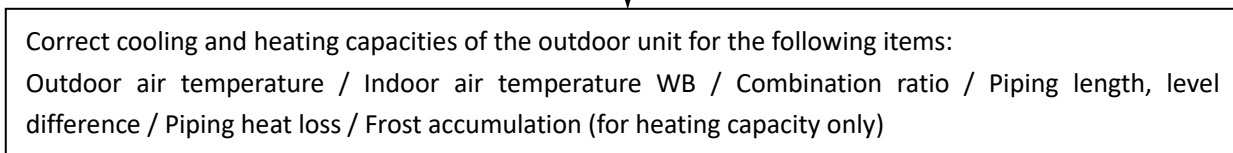
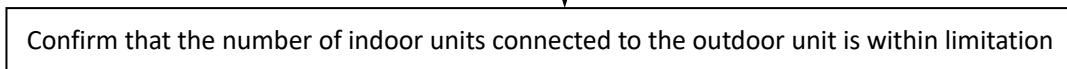
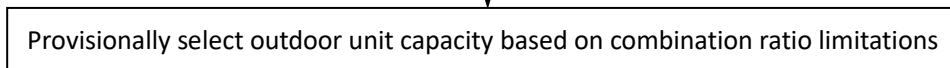
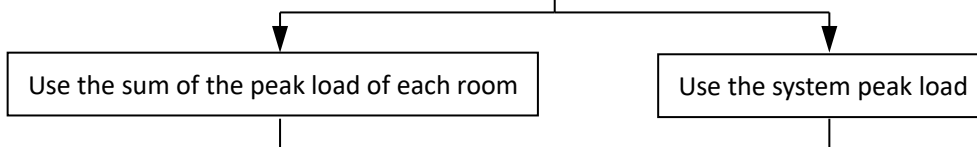
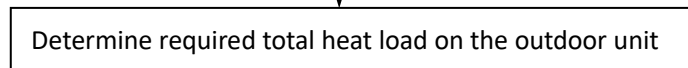
Step 1: Establish design conditions



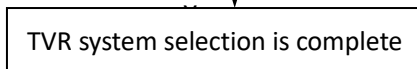
Step 2: Select indoor units



Step 3: Select outdoor unit



No



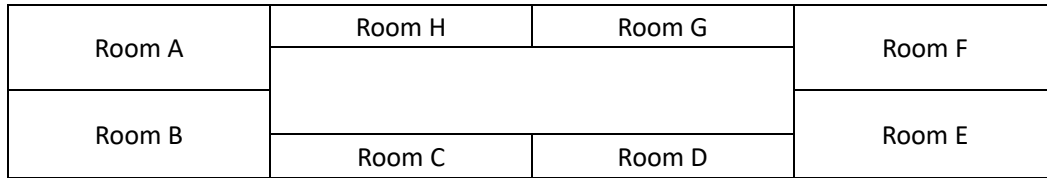
Notes:

1. If the indoor design temperature falls between two temperatures listed in the indoor unit's capacity table, calculate the corrected capacity by interpolation. If the indoor unit selection is to be based on total heat load and sensible heat load, select indoor units which satisfy not only the total heat load requirements of each room but also the sensible heat load requirements of each room. As with total heat capacity, the sensible heat capacity of indoor units should be corrected for indoor temperature, interpolating where necessary. For the indoor unit capacity tables, refer to the indoor unit technical manuals.

5.2 Example

The following is a selection example based on total heat load for cooling.

Figure 1-5.1: Room plan



Step 1: Establish design conditions

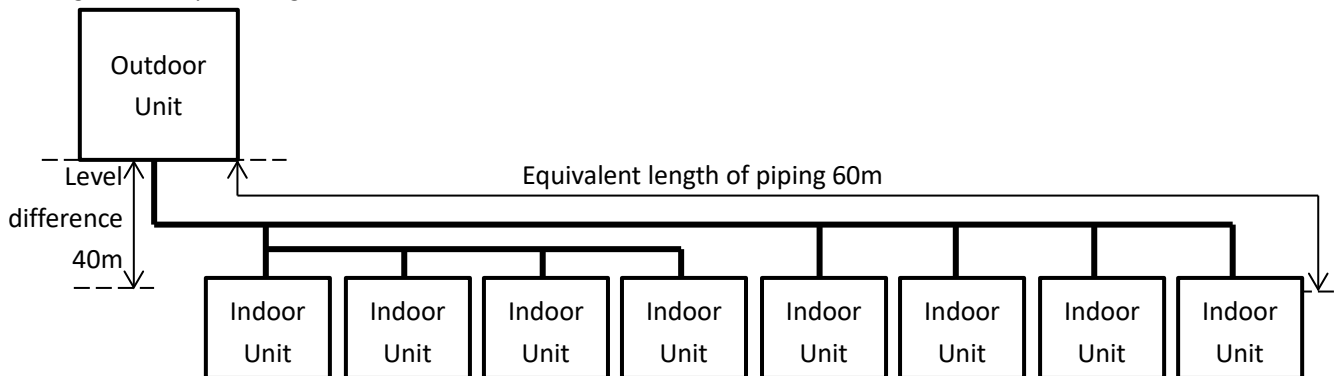
- Indoor air temperature 25°C DB, 18°C WB; outdoor air temperature 33°C DB.
- Determine peak load of each room and system peak load. As shown in Table 1-5.1, the system peak load is 50.7kW.

Table 1-5.1: Required heat load of each room (kW)

Time	Room A	Room B	Room C	Room D	Room E	Room F	Room G	Room H	Total
9:00	4.8	4.8	3.0	3.0	9.1	9.0	2.9	2.9	39.5
12:00	6.6	7.1	5.1	5.1	7.4	6.8	4.0	4.0	46.1
14:00	9.0	9.4	4.9	4.9	7.3	6.8	4.2	4.2	50.7
16:00	10.6	10.7	3.9	3.9	6.3	6.2	3.8	3.8	49.2

- The maximum piping lengths and level differences in this example are as given in Figure 1-5.2.

Figure 1-5.2: System diagram



- Indoor unit type for all rooms: Medium Static Pressure Duct (T2).

Step 2: Select indoor units

- In this example, a safety factor is not used (i.e. the safety factor is 1).
- Select indoor unit models using the medium static pressure duct cooling capacity table. Each indoor unit's corrected capacity needs to be greater than or equal to the peak load of the relevant room. The selected indoor units are shown in Table 1-5.3.

Table 1-5.2: Extract from medium static pressure duct (T2) cooling capacity table

Model	Capacity index	Indoor air temperature													
		14°C WB		16°C WB		18°C WB		19°C WB		20°C WB		22°C WB		24°C WB	
		20°C DB		23°C DB		26°C DB		27°C DB		28°C DB		30°C DB		32°C DB	
		TC	SHC	TC	SHC	TC	SHC	TC	SHC	TC	SHC	TC	SHC	TC	SHC
T2	22	1.5	1.4	1.8	1.5	2.1	1.6	2.2	1.6	2.3	1.7	2.4	1.5	2.4	1.5
	28	1.9	1.7	2.3	1.9	2.6	2.1	2.8	2.1	3.0	2.1	3.1	2.0	3.1	1.9
	36	2.5	2.1	2.9	2.3	3.4	2.5	3.6	2.6	3.8	2.7	4.2	2.8	3.9	2.3
	45	3.1	2.6	3.7	2.8	4.2	3.1	4.5	3.2	4.8	3.2	4.9	3.1	5.1	2.9
	56	3.9	3.0	4.6	3.3	5.3	3.6	5.6	3.7	5.9	3.8	6.2	3.7	6.2	3.4
	71	4.9	3.9	5.8	4.3	6.7	4.7	7.1	4.9	7.5	4.8	7.8	4.6	7.8	4.3
	80	5.5	4.4	6.6	4.9	7.5	5.3	8.0	5.5	8.4	5.5	8.8	5.2	8.8	4.8
	90	6.2	5.3	7.3	5.8	8.4	6.3	9.0	6.4	9.6	6.5	9.9	6.1	9.9	5.7
	112	7.7	6.4	9.1	7.1	10.5	7.7	11.2	7.8	11.9	8.1	12.5	7.8	12.5	7.4
	140	9.7	7.8	11.3	8.6	13.2	9.6	14.0	9.8	14.8	9.8	15.7	9.7	15.4	8.8

Abbreviations:

TC: Total capacity (kW); SHC: Sensible heat capacity (kW)

Table 1-5.3: Selected indoor units

	Room A	Room B	Room C	Room D
Peak heat load (kW)	10.6	10.7	5.1	5.1
Selected indoor unit	4TVD0048EF000AA	4TVD0048EF000AA	4TVD0018EF000AA	4TVD0018EF000AA
Corrected TC (kW)	13.2	13.2	5.3	5.3
	Room E	Room F	Room G	Room H
Peak heat load (kW)	9.1	9.0	4.2	4.2
Selected indoor unit	4TVD0038EF000AA	4TVD0038EF000AA	4TVD0015EF000AA	4TVD0015EF000AA
Corrected TC (kW)	10.5	10.5	4.2	4.2

Step 3: Select outdoor unit

- Determine the required total heat load from the indoor units to the outdoor unit based on either the sum of the peak loads of each room or the system peak load. In this example, it is determined based on the system peak load. Therefore, the required heat load is 50.7kW.
- Provisionally select an outdoor unit using the sum of the capacity indexes (CIs) of the selected indoor units (as shown in Table 1-5.4), ensuring that the combination ratio is between 50% and 130%. Refer to Table 1-5.5. As the sum of CIs of the indoor units is 706, outdoor units from 20HP to 32HP are potentially suitable. Start from the smallest, which is the 20HP unit.

Table 1-5.4: Sum of indoor unit capacity indexes

Model	Capacity Index	No. of units
4TVD0048EF000AA	140	2
4TVD0038EF000AA	112	2
4TVD0018EF000AA	56	2
4TVD0015EF000AA	45	2

Sum of CIs	706
-------------------	------------

Table 1-5.5: Extract from Table 1-5.2 Combinations of Indoor and outdoor units

Outdoor unit capacity			Sum of capacity indexes of connected indoor units (standard indoor units only)	Maximum number of connected indoor units
kW	HP	Capacity index		
50.0	18	500	250 to 650	29
56.0	20	560	280 to 728	33
61.5	22	615	307.5 to 799.5	36
67.0	24	670	335 to 871	39
73.0	26	730	365 to 949	43
78.5	28	785	392.5 to 1020.5	46
85.0	30	850	425 to 1105	50
90.0	32	900	450 to 1170	53

- The number of connected indoor units is 8 and the maximum number of connected indoor units on the 20HP outdoor unit is 33, so the number of connected indoor units is within the limitation.
- Calculate the corrected capacity of the outdoor unit:
 - a) The sum of the indoor unit CIs is 706 and the CI of the 20HP outdoor unit (4TVH0192FE000AA) is 560, so the combination ratio is $706 / 560 = 126\%$.
 - b) Using the outdoor unit's cooling capacity table, interpolate to obtain the capacity ("B") corrected for outdoor air temperature, indoor air temperature, and combination ratio. Refer to Tables 1-5.6 and 1-5.7.

Table 1-5.6: Extract from Table 2-8.7 4TVH0192FE000AA cooling capacity

CR	Outdoor air temp. (°C DB)	Indoor air temp. (°C DB / °C WB)	
		25.8 / 18.0	
		TC	PI
		kW	kW
130%	31	61.3	14.33
	33	60.4	14.88
	35	59.5	15.46
120%	31	60.2	13.88
	33	59.3	14.44
	35	58.4	15.00

Table 1-5.7: Cooling capacity calculated by interpolation

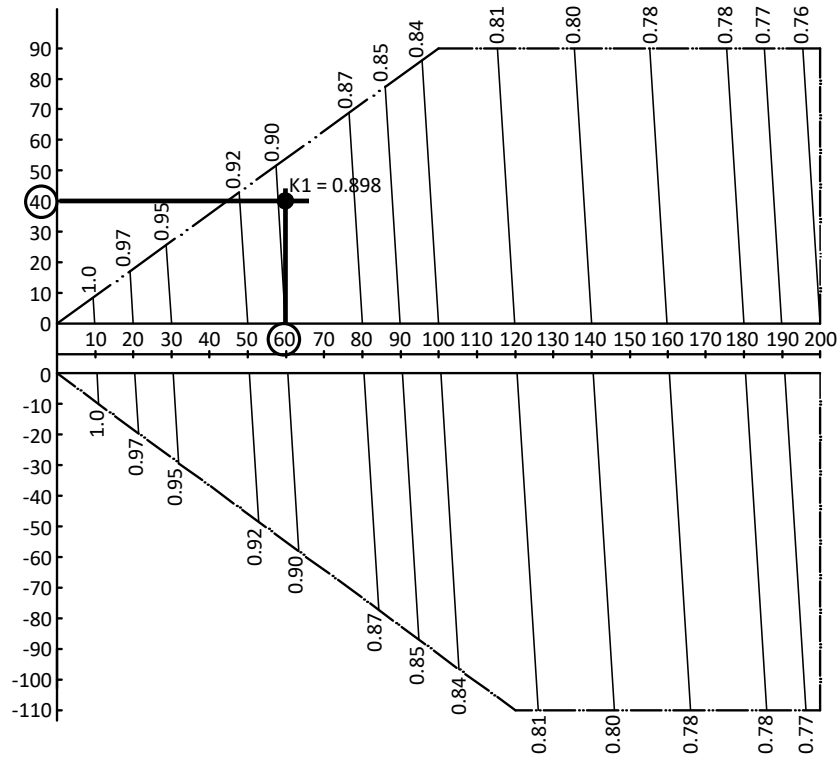
CR	Outdoor air temp. (°C DB)	Indoor air temp. (°C DB / °C WB)	
		25.8 / 18.0	
		TC	PI
		kW	kW
130%			
	33	60.4	14.88
	B = 60¹		
120%			
	33	59.3	14.44

Notes:

1. $59.3 + (60.4 - 59.3) \times (126 - 120) / (130 - 120) = 60.$

c) Find the correction factor for piping length and level difference ("K1")

Figure 1-5.3: V6-i rate of change in cooling capacity



Notes:

1. The horizontal axis shows equivalent length of piping between farthest indoor unit and first outdoor branch joint; the vertical axis shows the largest level difference between indoor unit and outdoor unit. For level differences, positive values indicate that the outdoor unit is above the indoor unit, negative values indicate that the outdoor unit is below the indoor unit.

d) Calculate the corrected capacity of 4TVH0192FE000AA ("C") by using K1:

$$C = B \times K1 = 60 \times 0.898 = 53.8\text{kW}$$

- The corrected capacity 53.8kW is larger than required total heat load 50.7kW, so selection is complete. (In the event that the corrected capacity is lower than the required total heat load, Step 3 should be repeated from the point where the outdoor unit capacity is provisionally selected.)

Part 2

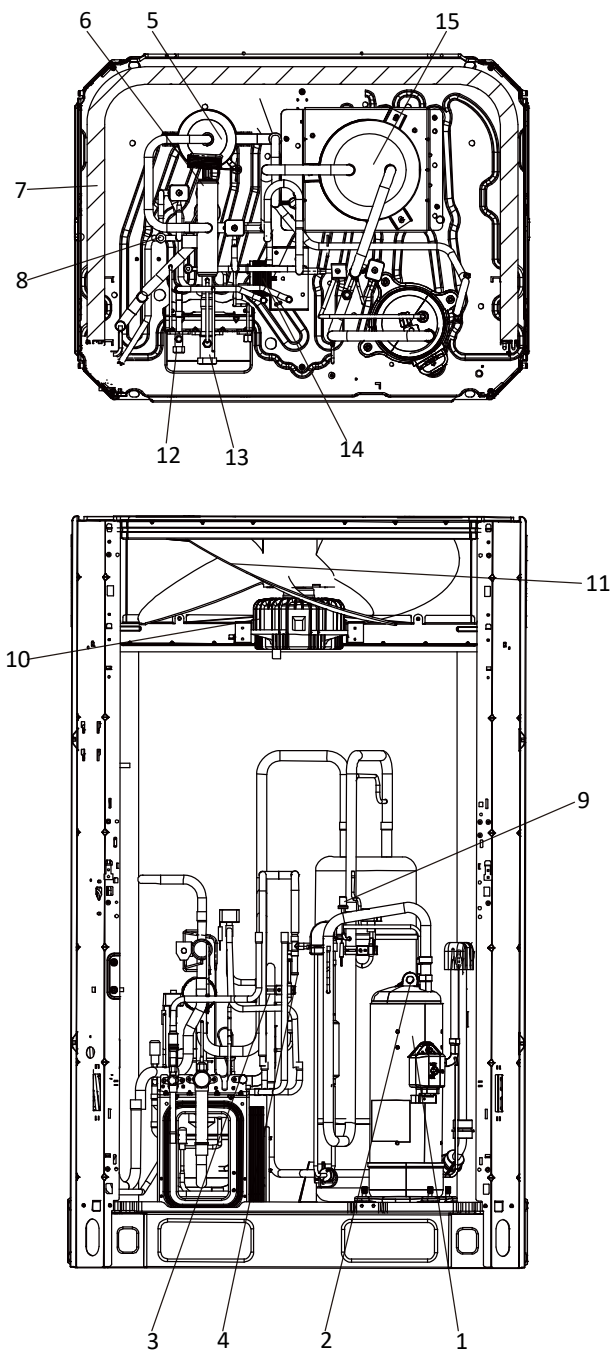
Component Layout and Refrigerant Circuits

1	Layout of Functional Components	17
2	Piping Diagrams	23
3	Refrigerant Flow Diagrams	29

1 Layout of Functional Components

8/10/12HP

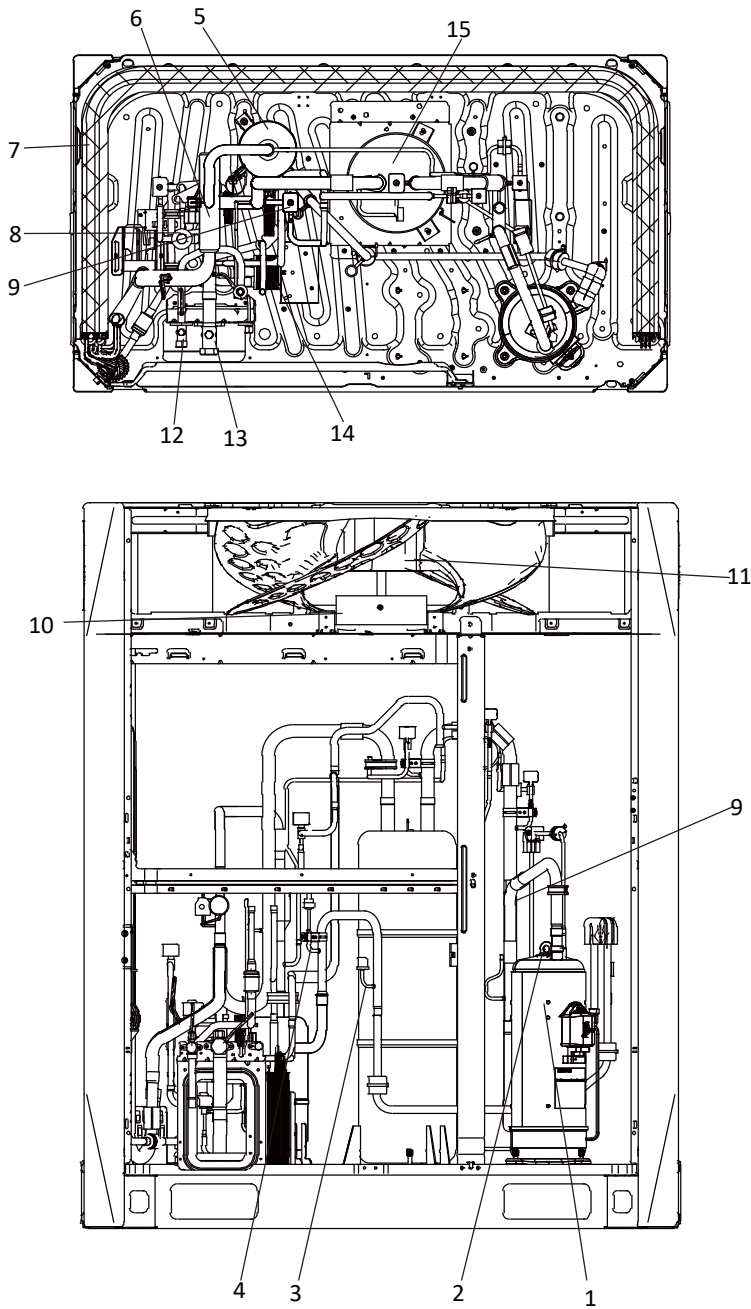
Figure 2-1.1: 8/10/12HP layout of functional components



Legend	
No.	Parts name
1	Compressor
2	Discharge temperature switch
3	High pressure switch
4	High pressure sensor
5	Oil separator
6	Four-way valve
7	Heat exchanger
8	Electronic expansion valve (EXV)
9	Low pressure switch
10	Fan motor
11	Fan
12	Stop valve (liquid side)
13	Stop valve (gas side)
14	Plate heat exchanger
15	Accumulator

14/16/18HP

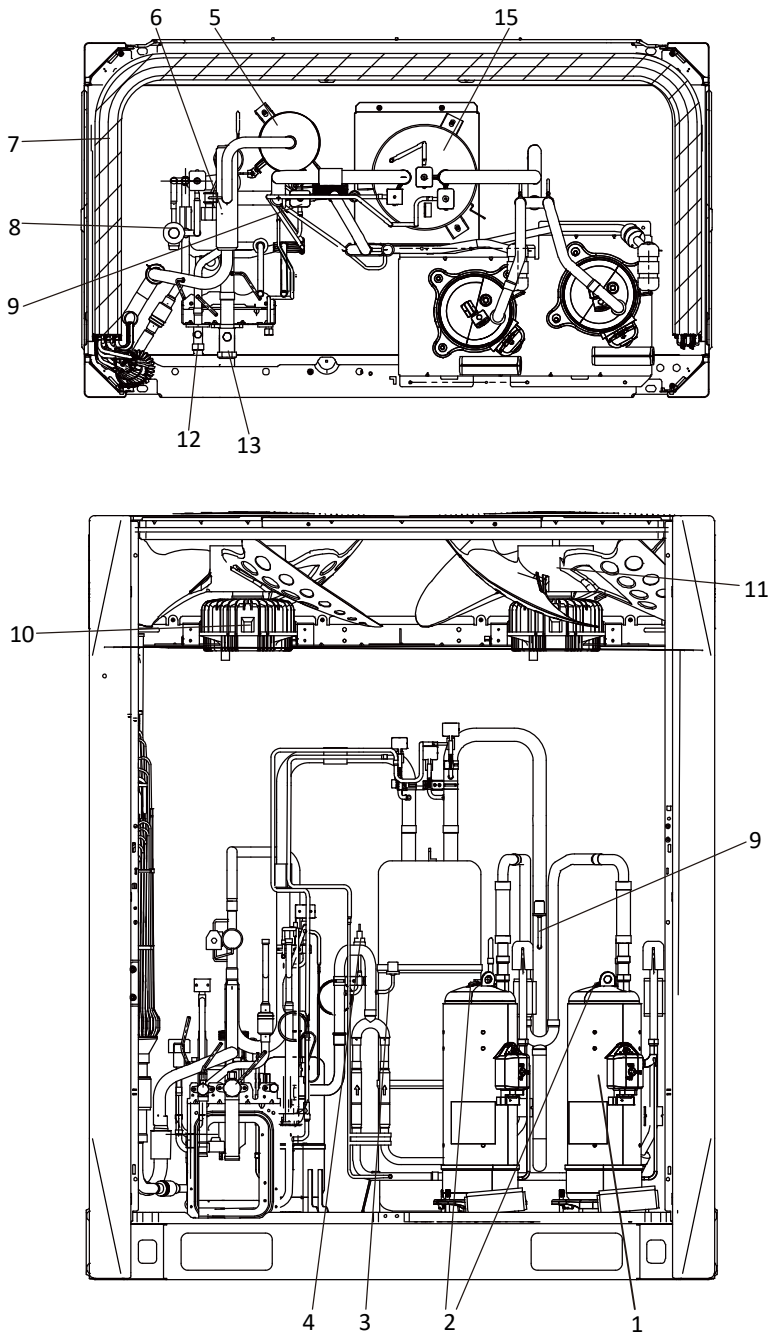
Figure 2-1.2: 14/16/18HP layout of functional components



Legend	
No.	Parts name
1	Compressor
2	Discharge temperature switch
3	High pressure switch
4	High pressure sensor
5	Oil separator
6	Four-way valve
7	Heat exchanger
8	Electronic expansion valve (EXV)
9	Low pressure switch
10	Fan motor
11	Fan
12	Stop valve (liquid side)
13	Stop valve (gas side)
14	Plate heat exchanger
15	Accumulator

20/22HP

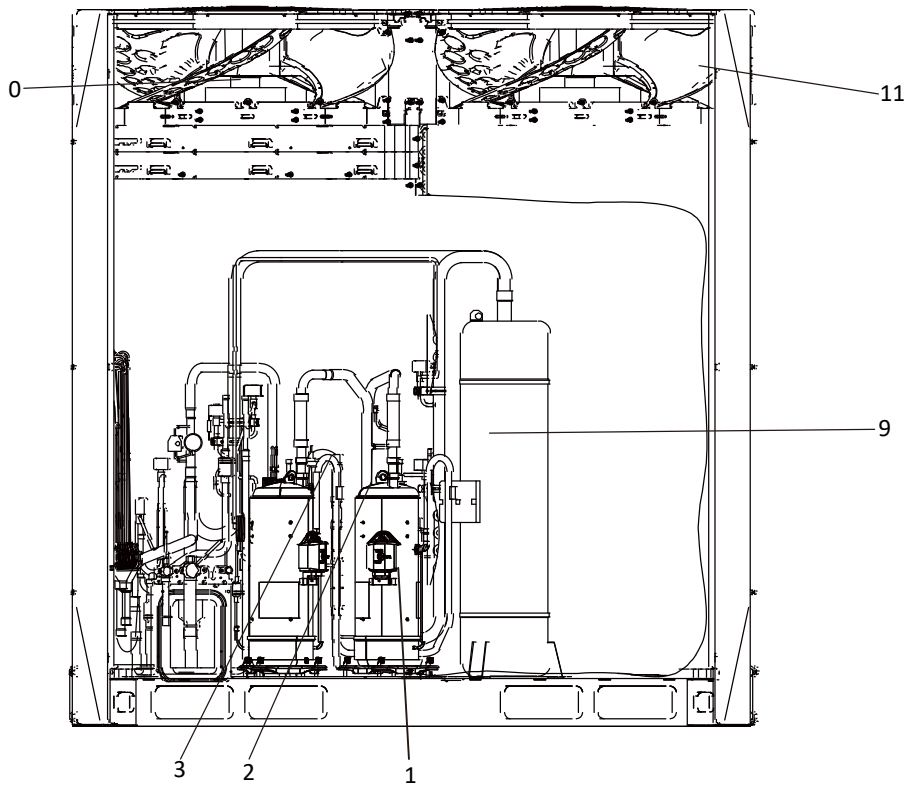
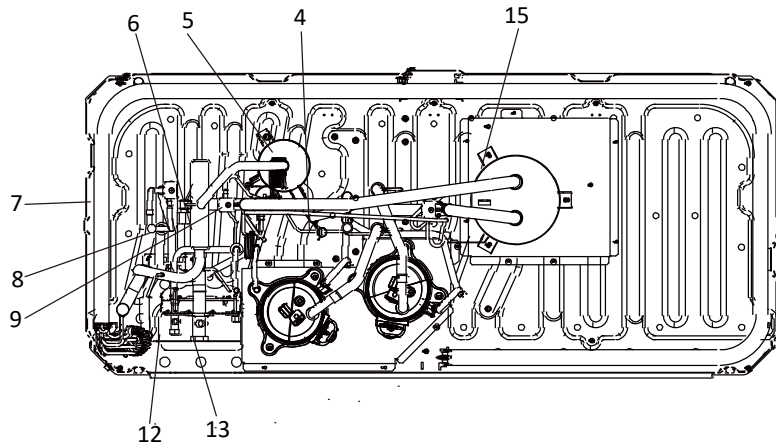
Figure 2-1.3: 20/22HP layout of functional components



Legend	
No.	Parts name
1	Compressor
2	Discharge temperature switch
3	High pressure switch
4	High pressure sensor
5	Oil separator
6	Four-way valve
7	Heat exchanger
8	Electronic expansion valve (EXV)
9	Low pressure switch
10	Fan motor
11	Fan
12	Stop valve (liquid side)
13	Stop valve (gas side)
15	Accumulator

24HP

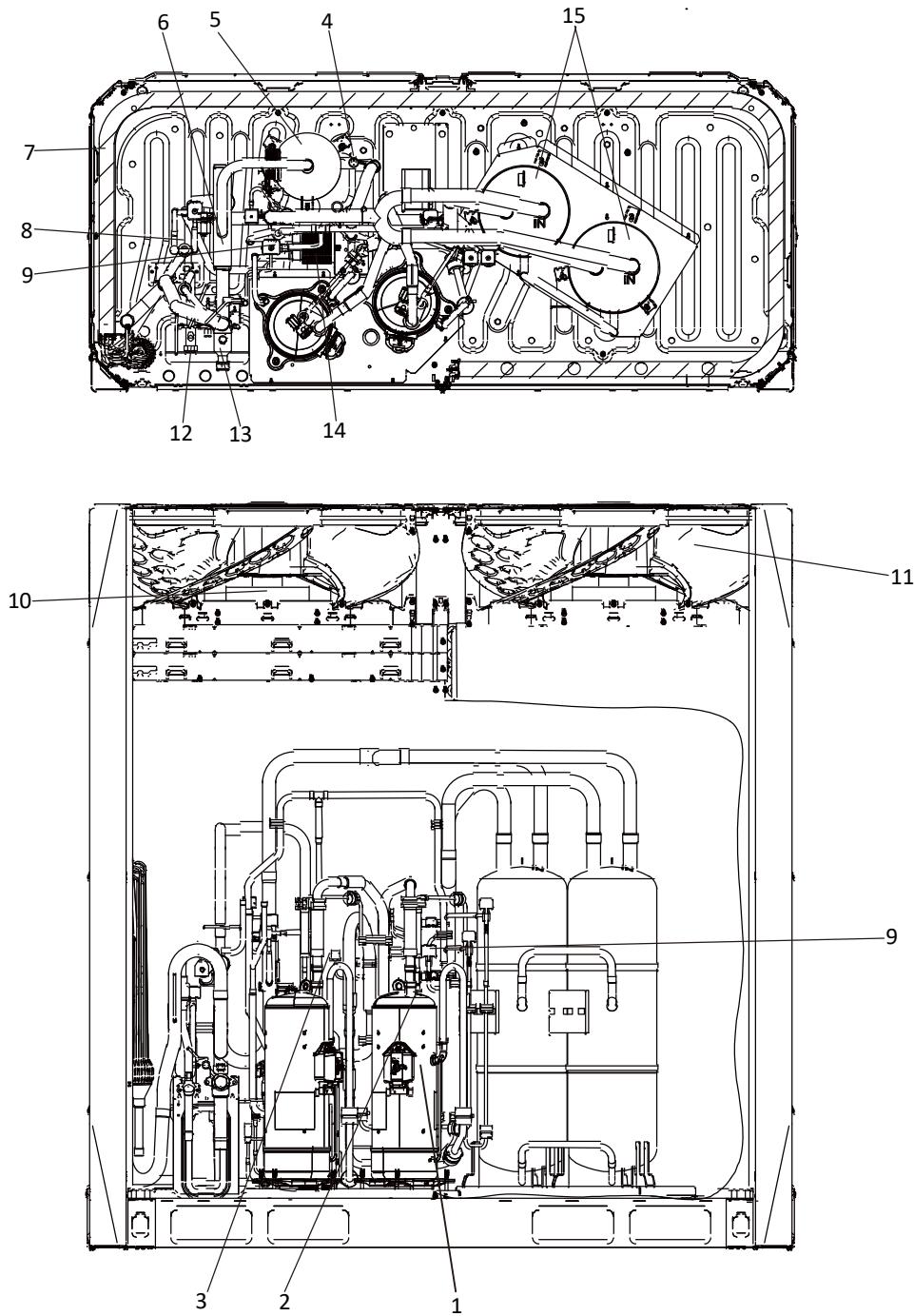
Figure 2-1.4: 24HP layout of functional components



Legend	
No.	Parts name
1	Compressor
2	Discharge temperature switch
3	High pressure switch
4	High pressure sensor
5	Oil separator
6	Four-way valve
7	Heat exchanger
8	Electronic expansion valve (EXV)
9	Low pressure switch
10	Fan motor
11	Fan
12	Stop valve (liquid side)
13	Stop valve (gas side)
15	Accumulator

26/28HP

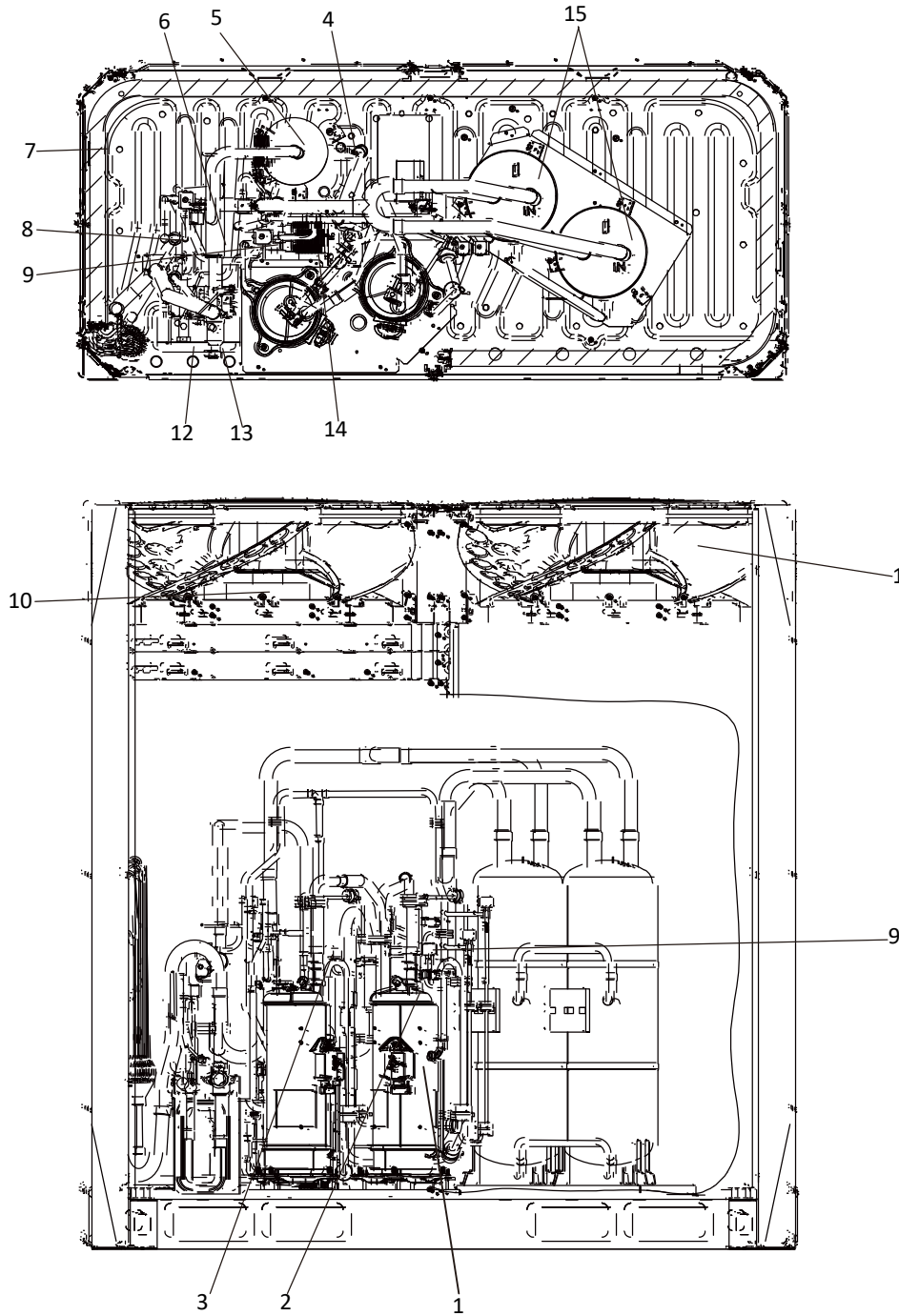
Figure 2-1.5: 26/28HP layout of functional components



Legend	
No.	Parts name
1	Compressor
2	Discharge temperature switch
3	High pressure switch
4	High pressure sensor
5	Oil separator
6	Four-way valve
7	Heat exchanger
8	Electronic expansion valve (EXV)
9	Low pressure switch
10	Fan motor
11	Fan
12	Stop valve (liquid side)
13	Stop valve (gas side)
14	Plate heat exchanger
15	Accumulator

30/32HP

Figure 2-1.6: 30/32HP layout of functional components

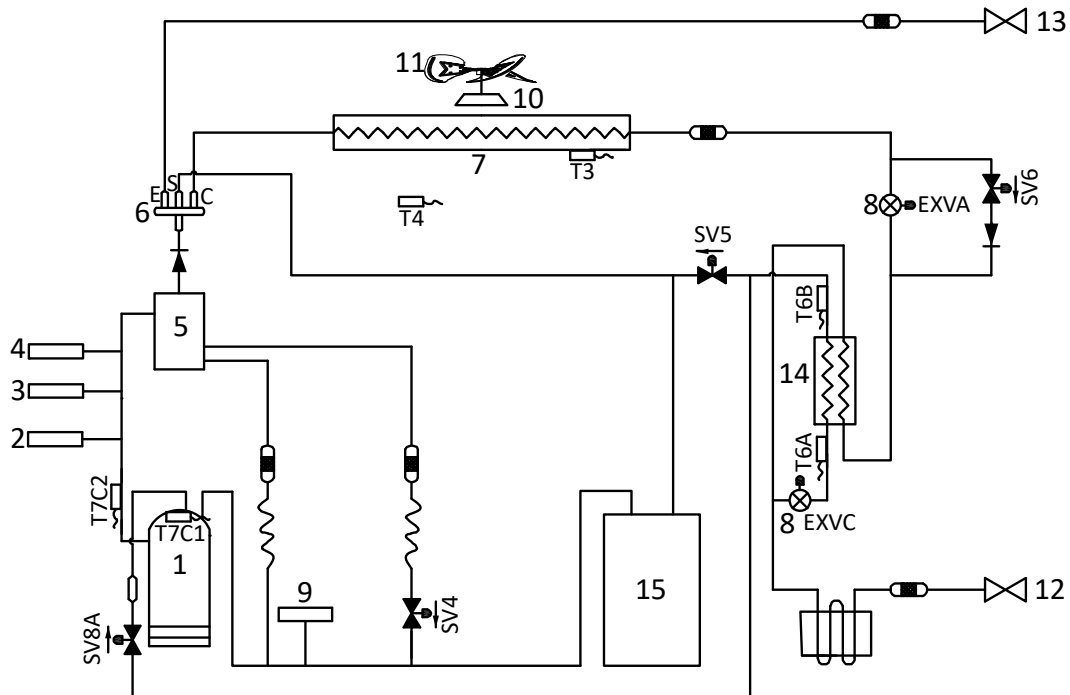


Legend	
No.	Parts name
1	Compressor
2	Discharge temperature switch
3	High pressure switch
4	High pressure sensor
5	Oil separator
6	Four-way valve
7	Heat exchanger
8	Electronic expansion valve (EXV)
9	Low pressure switch
10	Fan motor
11	Fan
12	Stop valve (liquid side)
13	Stop valve (gas side)
14	Plate heat exchanger
15	Accumulator

2 Piping Diagrams

8/10/12HP

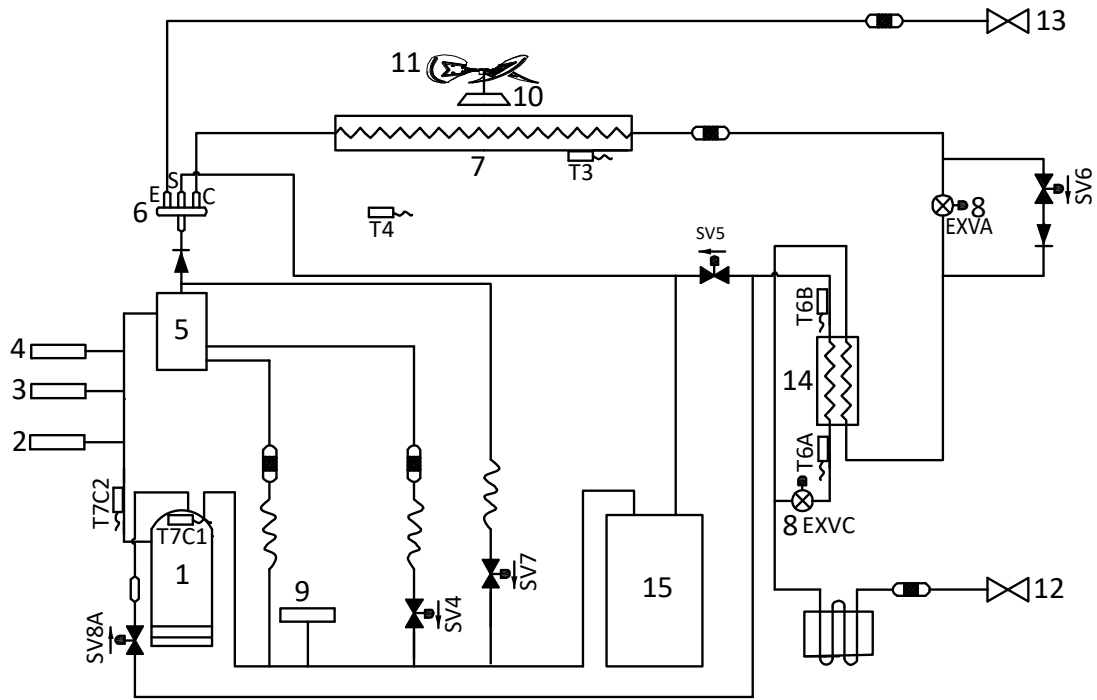
Figure 2-2.1: 8/10/12HP piping diagram



Legend	
No.	Parts name
1	Compressor
2	Discharge temperature switch
3	High pressure switch
4	High pressure sensor
5	Oil separator
6	Four-way valve
7	Heat exchanger
8	Electronic expansion valve (EXV)
9	Low pressure switch
10	Fan motor
11	Fan
12	Stop valve (liquid side)
13	Stop valve (gas side)
14	Plate heat exchanger
15	Accumulator
T3	Heat exchanger temperature sensor
T4	Outdoor ambient temperature sensor
T6A	Plate heat exchanger inlet temperature sensor
T6B	Plate heat exchanger outlet temperature sensor
T7C1	Compressor A discharge temperature sensor
T7C2	Compressor B discharge temperature sensor
SV4	Oil return valve
SV5	Fast defrosting (in heating) and unloading (in cooling) valve
SV6	Refrigerant bypass EXV valve
SV8A	Compressor A vapor injection valve

14/16/18HP

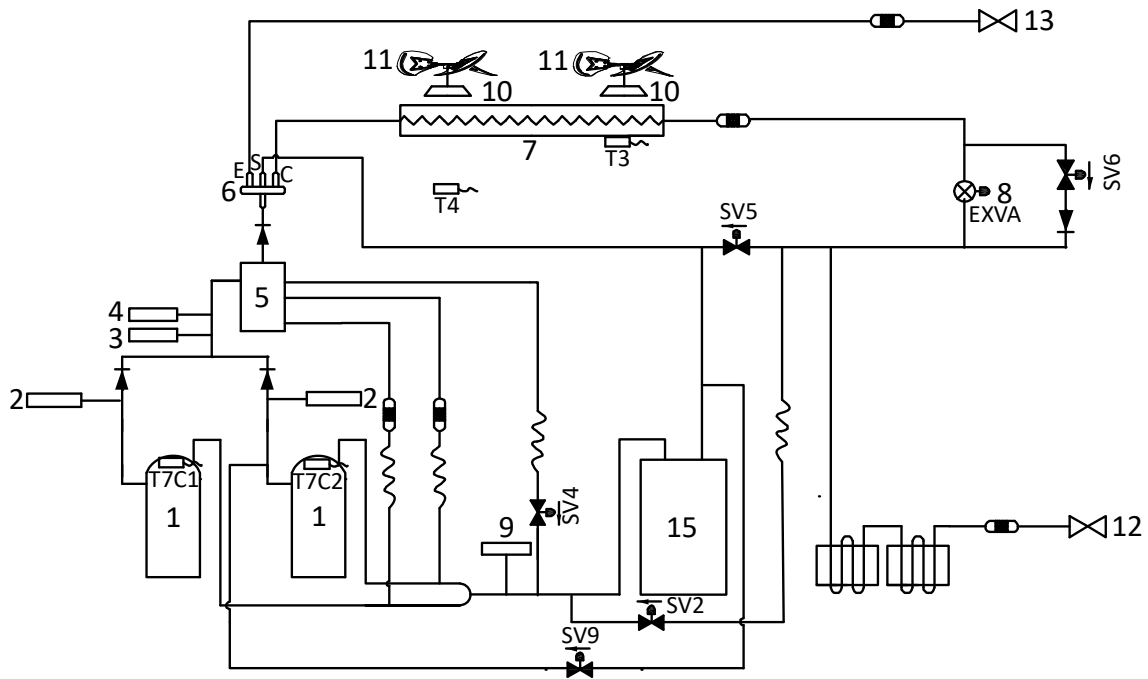
Figure 2-2.2: 14/16/18HP piping diagram



Legend	
No.	Parts name
1	Compressor
2	Discharge temperature switch
3	High pressure switch
4	High pressure sensor
5	Oil separator
6	Four-way valve
7	Heat exchanger
8	Electronic expansion valve (EXV)
9	Low pressure switch
10	Fan motor
11	Fan
12	Stop valve (liquid side)
13	Stop valve (gas side)
14	Plate heat exchanger
15	Accumulator
T3	Heat exchanger temperature sensor
T4	Outdoor ambient temperature sensor
T6A	Plate heat exchanger inlet temperature sensor
T6B	Plate heat exchanger outlet temperature sensor
T7C1	Compressor A discharge temperature sensor
T7C2	Compressor B discharge temperature sensor
SV4	Oil return valve
SV5	Fast defrosting (in heating) and unloading (in cooling) valve
SV6	Refrigerant bypass EXV valve
SV7	Refrigerant bypass indoor units valve
SV8A	Compressor A vapor injection valve

20/22/24HP

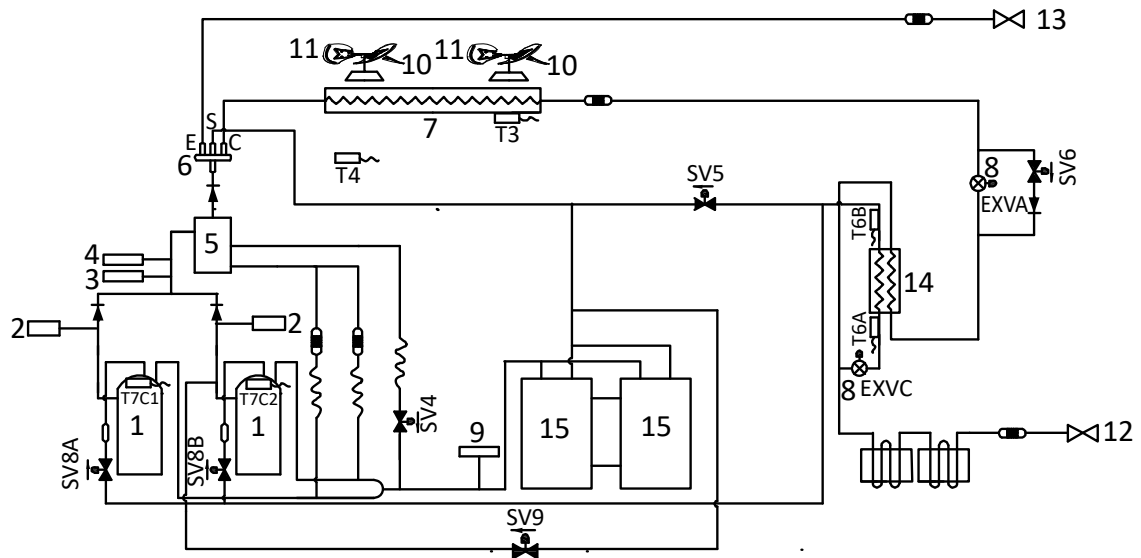
Figure 2-2.3: 20/22/24HP piping diagram



Legend			
No.	Parts name	No.	Parts name
1	Compressor	13	Stop valve (gas side)
2	Discharge temperature switch	15	Accumulator
3	High pressure switch	T3	Heat exchanger temperature sensor
4	High pressure sensor	T4	Outdoor ambient temperature sensor
5	Oil separator	T7C1	Compressor A discharge temperature sensor
6	Four-way valve	T7C2	Compressor B discharge temperature sensor
7	Heat exchanger	SV2	Liquid injection cooling valve
8	Electronic expansion valve (EXV)	SV4	Oil return valve
9	Low pressure switch	SV5	Fast defrosting (in heating) and unloading (in cooling) valve
10	Fan motor	SV6	Refrigerant bypass EXV valve
11	Fan	SV9	Compressor B pressure balance valve
12	Stop valve (liquid side)		

26/28HP

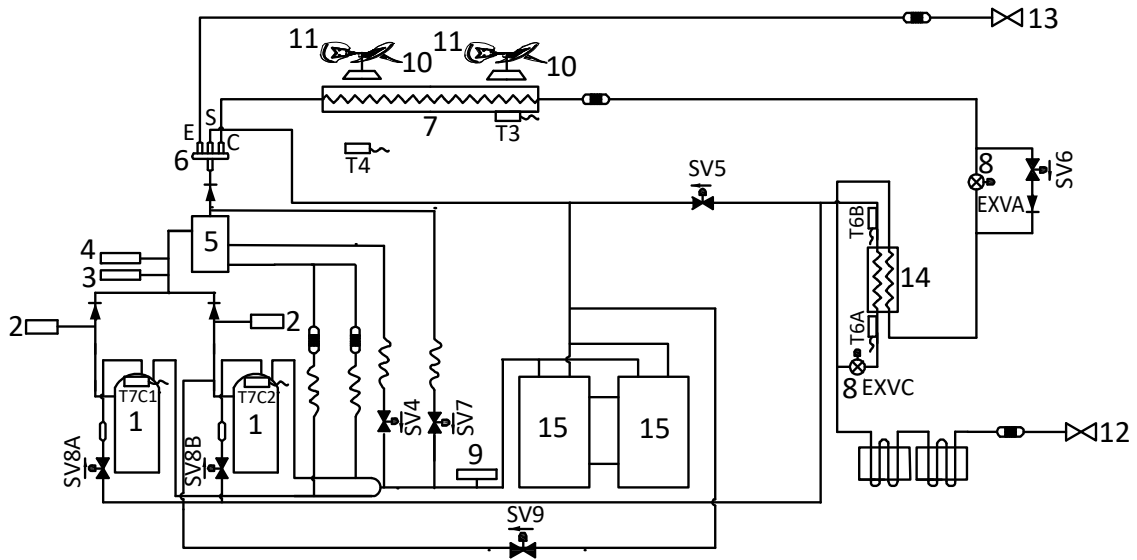
Figure 2-2.4: 26/28HP piping diagram



Legend			
No.	Parts name	No.	Parts name
1	Compressor	15	Accumulator
2	Discharge temperature switch	T3	Heat exchanger temperature sensor
3	High pressure switch	T4	Outdoor ambient temperature sensor
4	High pressure sensor	T6A	Plate heat exchanger inlet temperature sensor
5	Oil separator	T6B	Plate heat exchanger outlet temperature sensor
6	Four-way valve	T7C1	Compressor A discharge temperature sensor
7	Heat exchanger	T7C2	Compressor B discharge temperature sensor
8	Electronic expansion valve (EXV)	SV4	Oil return valve
9	Low pressure switch	SV5	Fast defrosting (in heating) and unloading (in cooling) valve
10	Fan motor	SV6	Refrigerant bypass EXV valve
11	Fan	SV8A	Compressor A vapor injection valve
12	Stop valve (liquid side)	SV8B	Compressor B vapor injection valve
13	Stop valve (gas side)	SV9	Compressor B pressure balance valve
14	Plate heat exchanger		

30/32HP

Figure 2-2.5: 30/32HP piping diagram



Legend			
No.	Parts name	No.	Parts name
1	Compressor	15	Accumulator
2	Discharge temperature switch	T3	Heat exchanger temperature sensor
3	High pressure switch	T4	Outdoor ambient temperature sensor
4	High pressure sensor	T6A	Plate heat exchanger inlet temperature sensor
5	Oil separator	T6B	Plate heat exchanger outlet temperature sensor
6	Four-way valve	T7C1	Compressor A discharge temperature sensor
7	Heat exchanger	T7C2	Compressor B discharge temperature sensor
8	Electronic expansion valve (EXV)	SV4	Oil return valve
9	Low pressure switch	SV5	Fast defrosting (in heating) and unloading (in cooling) valve
10	Fan motor	SV6	Refrigerant bypass EXV valve
11	Fan	SV7	Refrigerant bypass indoor units valve
12	Stop valve (liquid side)	SV8A	Compressor A vapor injection valve
13	Stop valve (gas side)	SV8B	Compressor B vapor injection valve
14	Plate heat exchanger	SV9	Compressor B pressure balance valve

Key components:

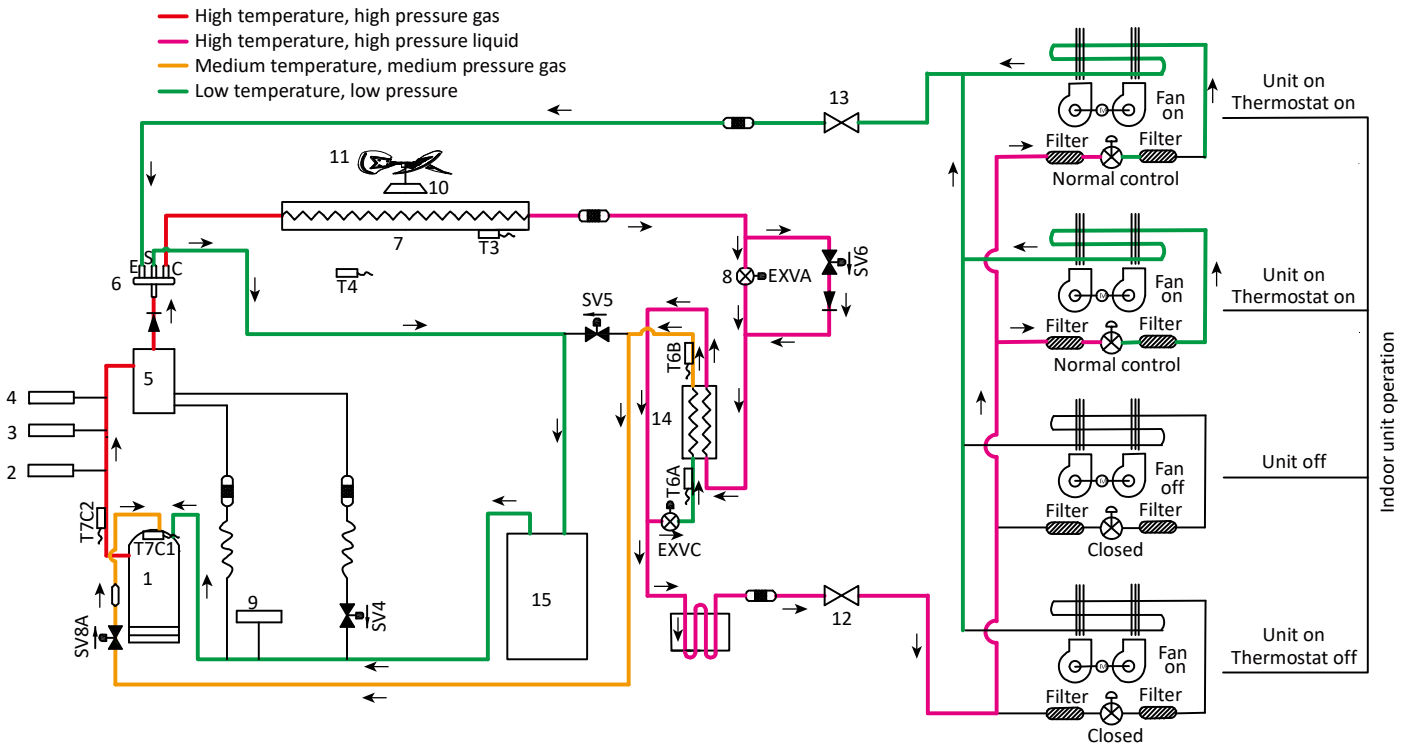
1. **Oil separator:**
Separates oil from gas refrigerant pumped out of the compressor and quickly returns it to the compressor. Separation efficiency is up to 99%.
2. **Accumulator:**
Stores liquid refrigerant and oil to protect compressor from liquid hammering.
3. **Electronic expansion valve (EXV):**
Controls refrigerant flow and reduces refrigerant pressure.
4. **Four-way valve:**
Controls refrigerant flow direction. Closed in cooling mode and open in heating mode. When closed, the heat exchanger functions as a condenser; when open, the heat exchanger functions as an evaporator.
5. **Solenoid valve SV2:**
Protects the compressor. If compressor discharge temperature rises above 100°C, SV2 opens and sprays a small amount of liquid refrigerant to cool the compressor. SV2 closes again once the discharge temperature has fallen below 90°C.
6. **Solenoid valve SV4:**
Returns oil to the compressor. Opens once the compressor has run for 200 seconds and closes 600 seconds later and then opens for 3 minutes every 20 minutes.
7. **Solenoid valve SV5:**
Enables fast defrosting in heating mode and unloading in cooling mode. During defrosting operation, opens to shorten the refrigerant flow cycle and quicken the defrosting process. In cooling mode, SV5 opens when outdoor ambient temperature is above 40°C or compressor frequency is below 41Hz.
8. **Solenoid valve SV6:**
Allows refrigerant to bypass the expansion valves. Opens in cooling mode when discharge temperature exceeds the limit. Closed in heating mode and standby.
9. **Solenoid valve SV7:**
Allows refrigerant to return directly to the compressor. Opens when indoor air temperature is close to the set temperature to avoid frequent compressor on/off.
10. **Solenoid valve SV8A / SV8B:**
Allows refrigerant from plate heat exchanger inject directly to the compressor. SV8A opens when compressor A startup and closes when compressor A stop. SV8B delays opening when compressor B startup and closes when compressor B stop.
11. **Solenoid valve SV9:**
Balances compressor B pressure. Opens before compressor B startup and closed after compressor B running for 15 seconds. Opens after compressor B stops 10s and keep opening 60s.
12. **High and low pressure switches:**
Regulate system pressure. When system pressure rises above the upper limit or falls below the lower limit, the high or low pressure switches turn off, stopping the compressor. After 10 minutes, the compressor restarts.

3 Refrigerant Flow Diagrams

8/10/12HP

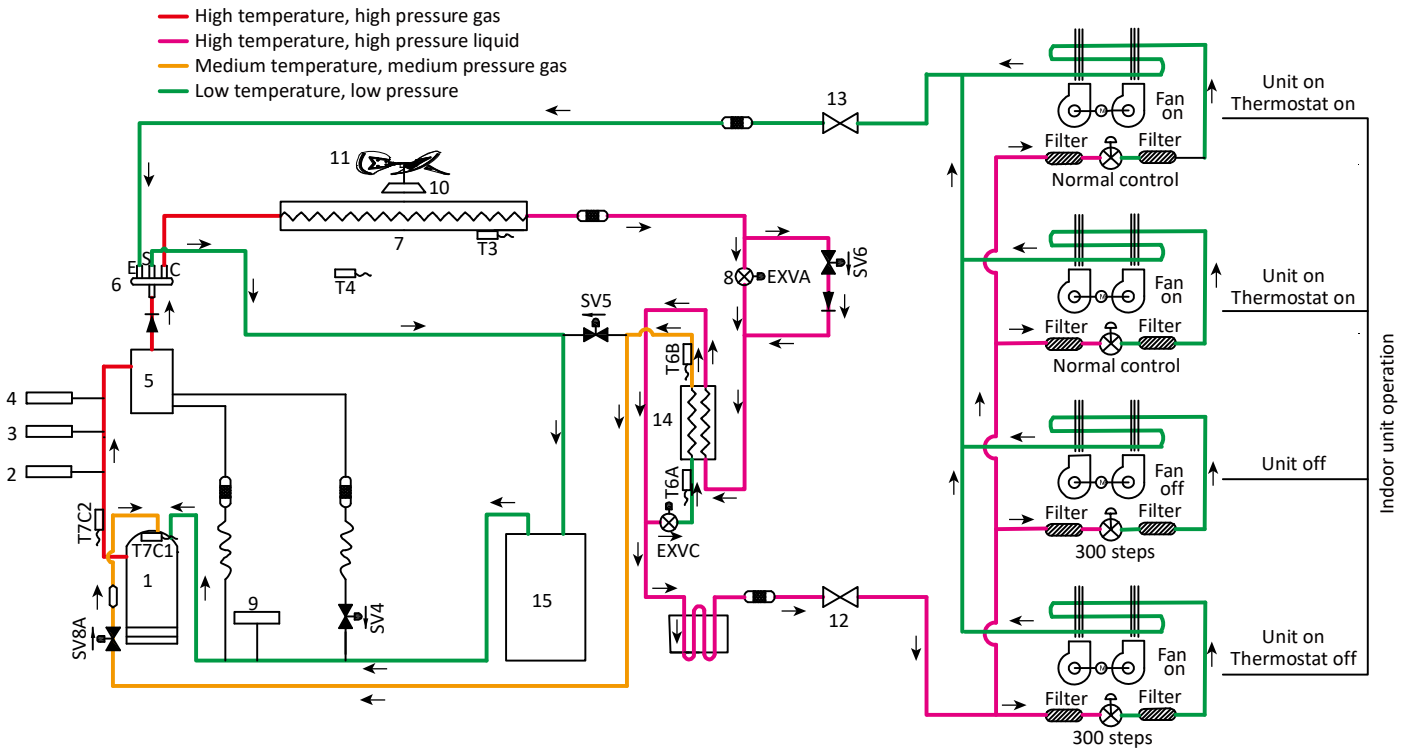
Cooling operation

Figure 2-3.1: 8/10/12HP refrigerant flow during cooling operation



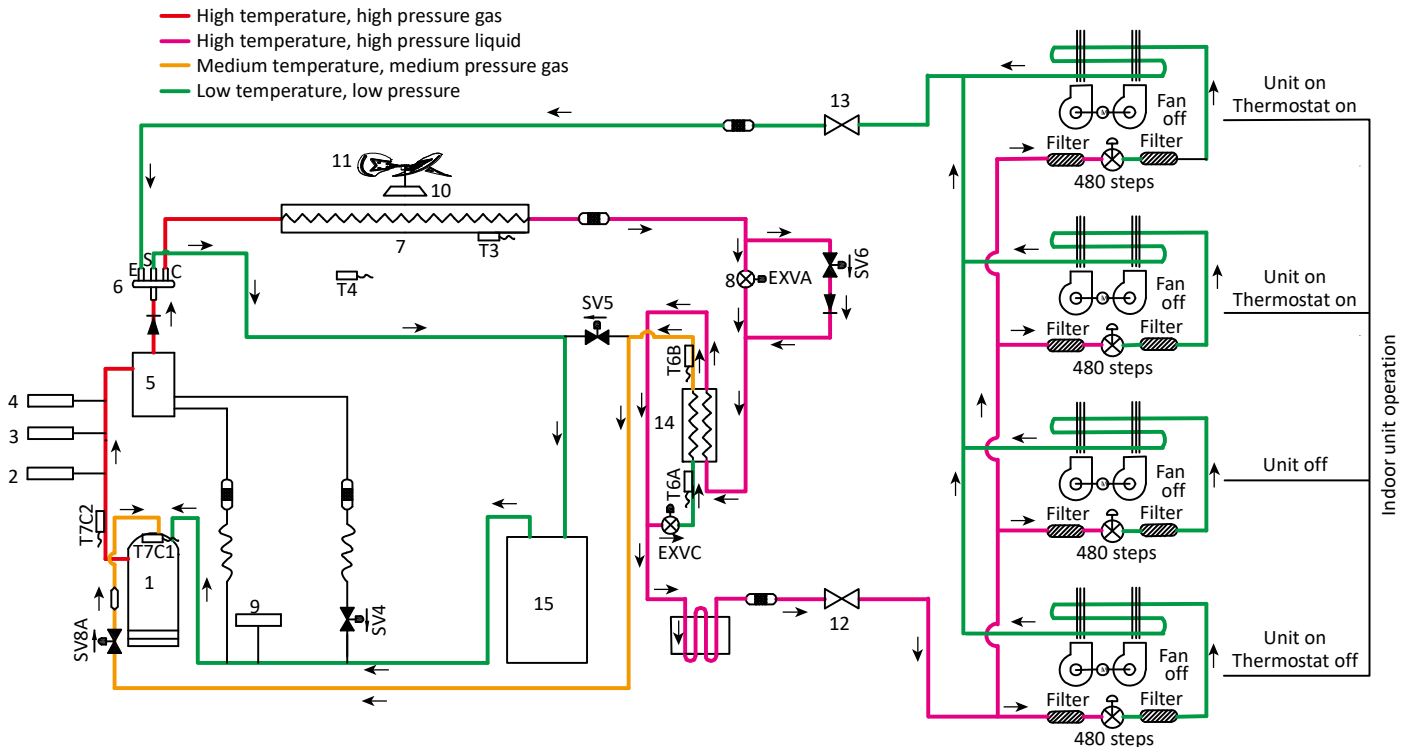
Oil return operation in cooling mode

Figure 2-3.2: 8/10/12HP refrigerant flow during oil return operation in cooling mode



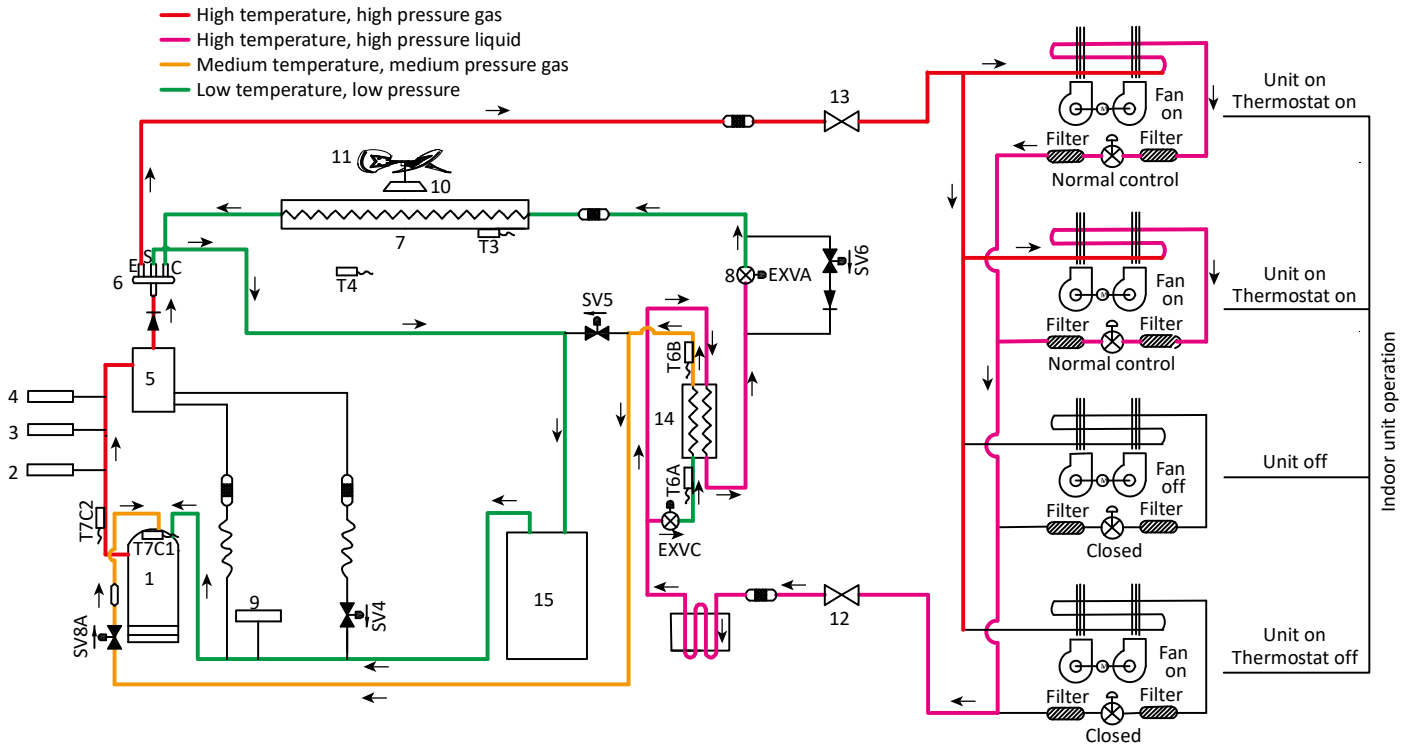
Oil return operation in heating mode and defrosting operation

Figure 2-3.3: 8/10/12HP refrigerant flow during oil return operation in heating mode and during defrosting operation



Heating operation

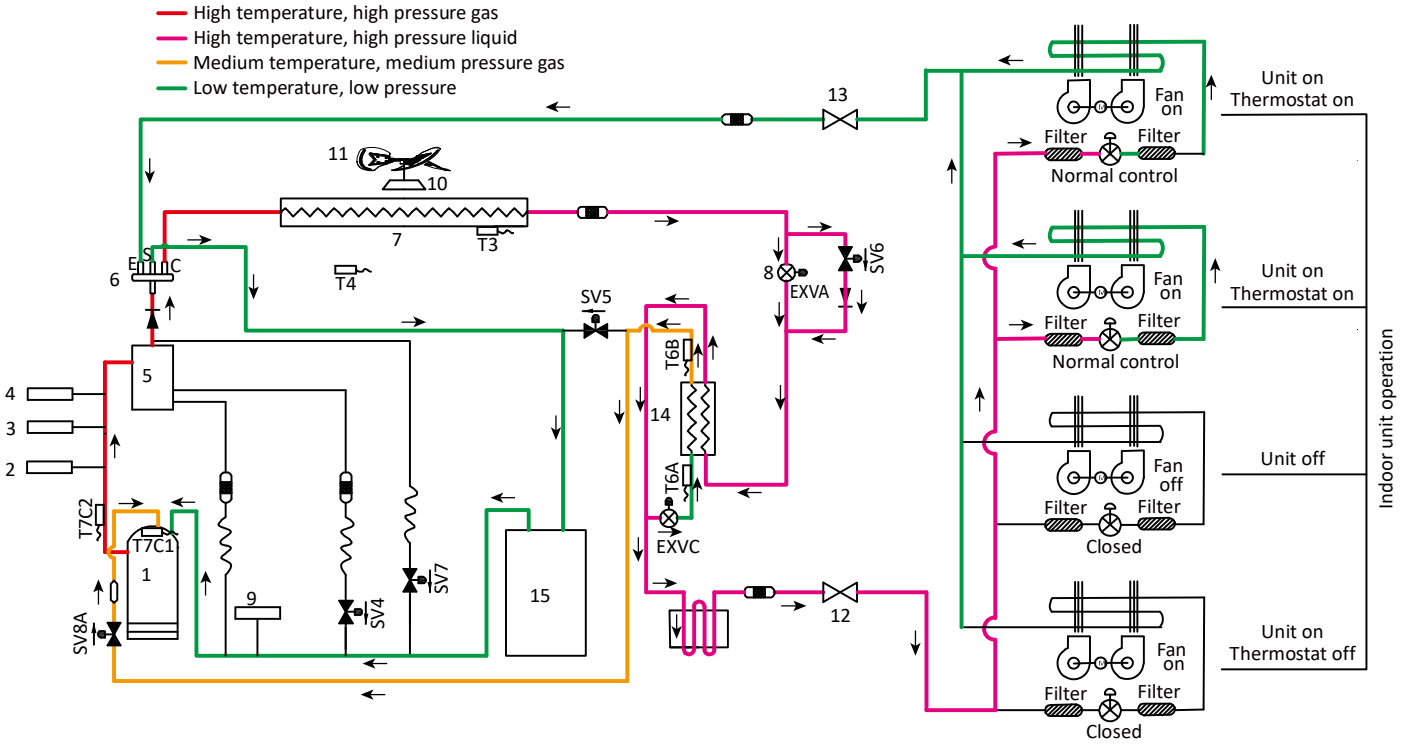
Figure 2-3.4: 8/10/12HP refrigerant flow during heating operation



14/16/18HP

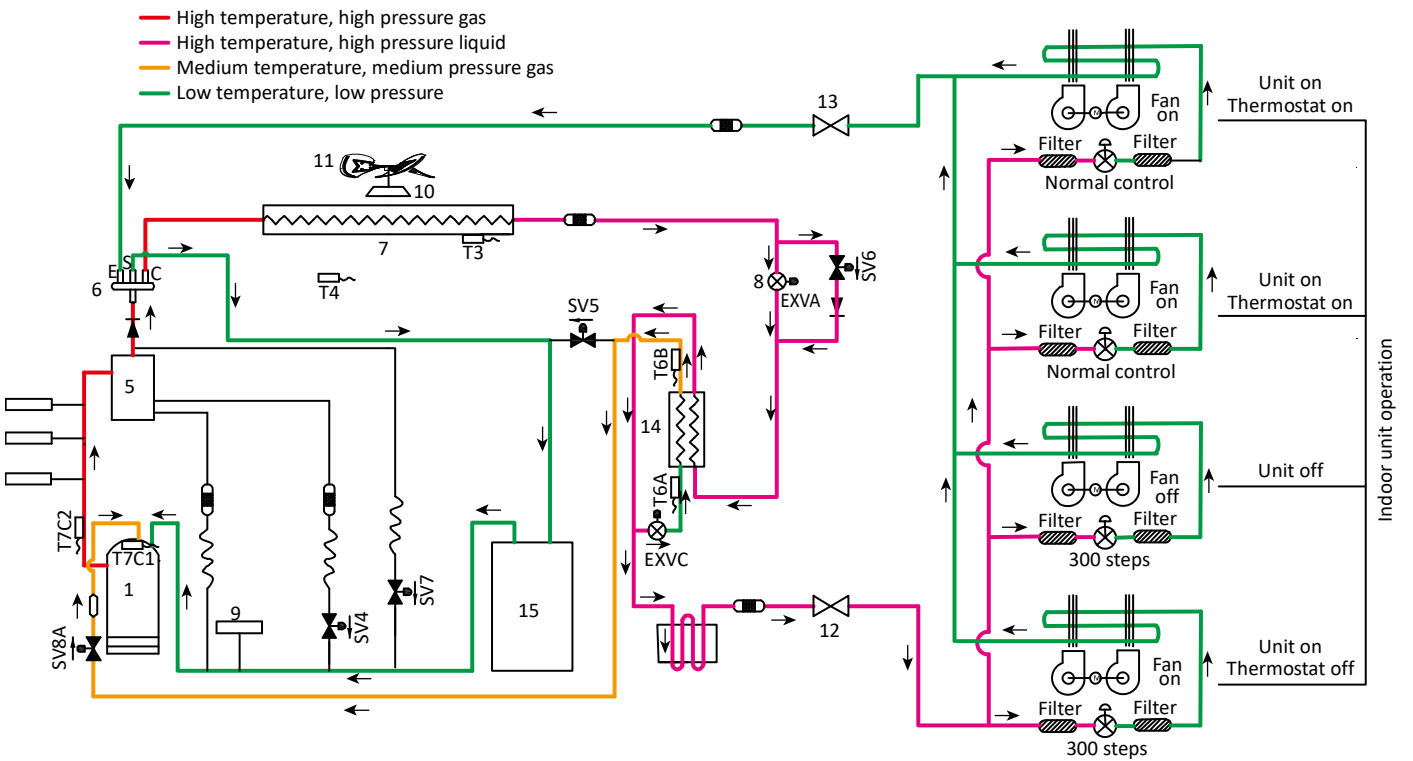
Cooling operation

Figure 2-3.5: 14/16/18HP refrigerant flow during cooling operation



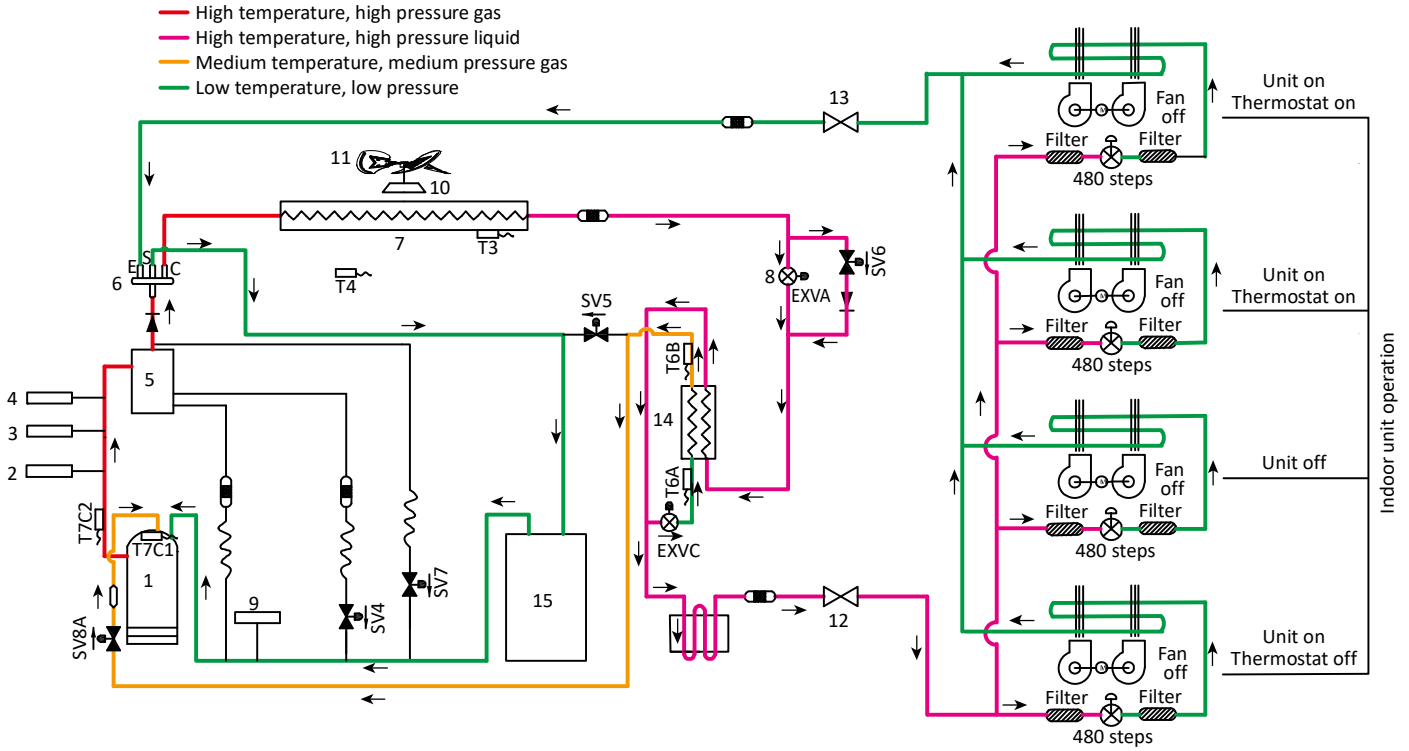
Oil return operation in cooling mode

Figure 2-3.6: 14/16/18HP refrigerant flow during oil return operation in cooling mode



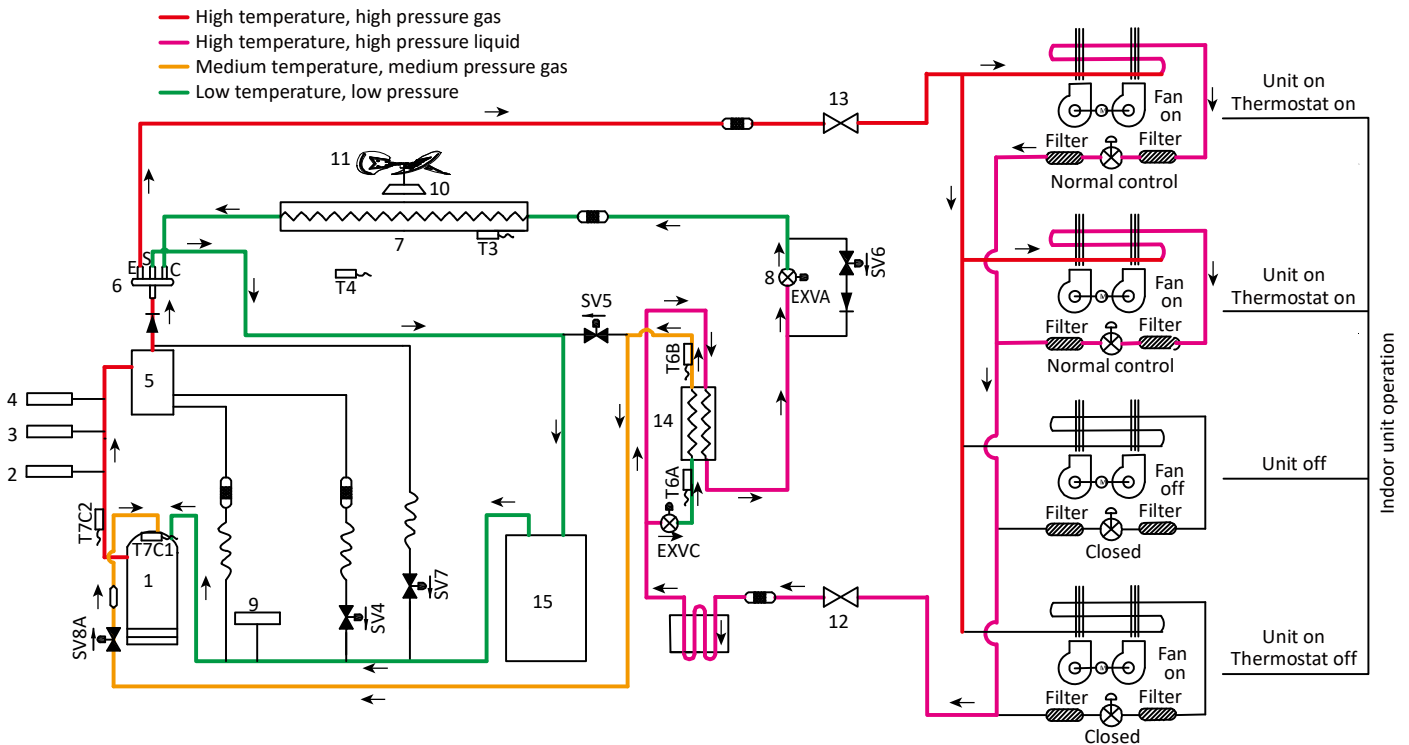
Oil return operation in heating mode and defrosting operation

Figure 2-3.7: 14/16/18HP refrigerant flow during oil return operation in heating mode and during defrosting operation



Heating operation

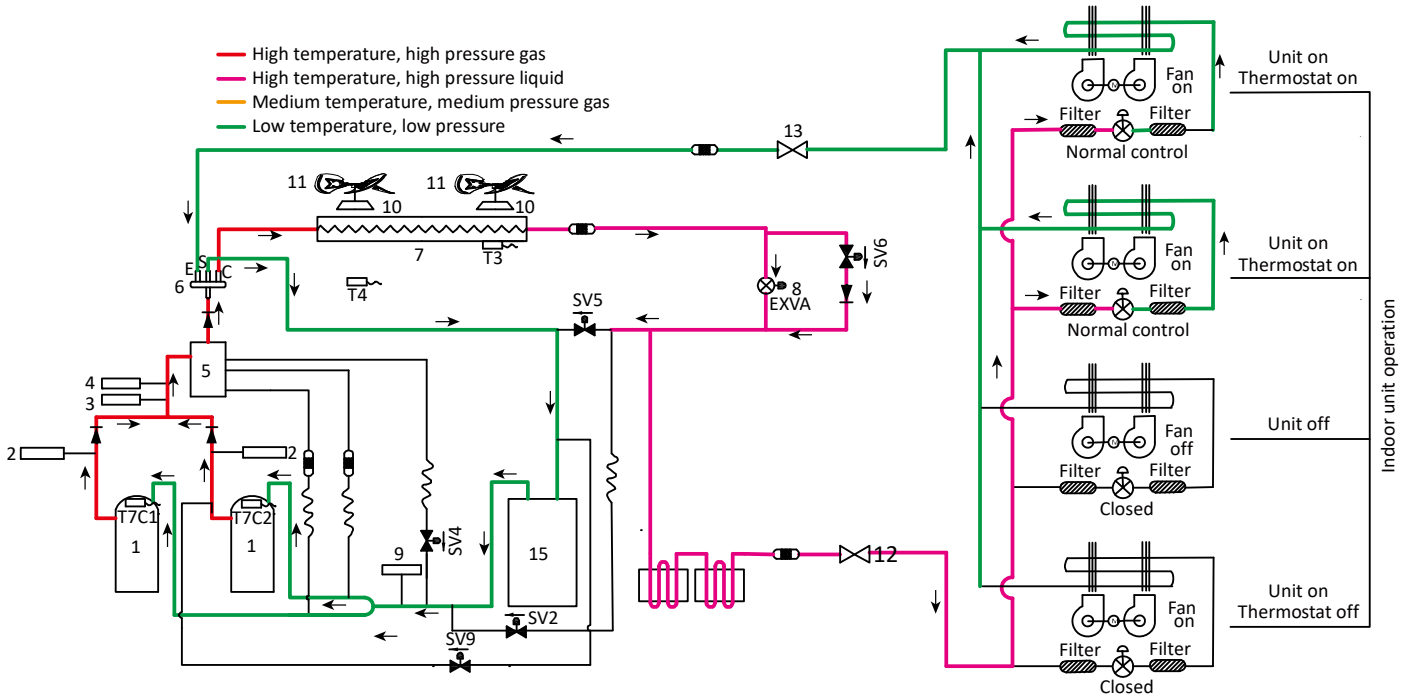
Figure 2-3.8: 14/16/18HP refrigerant flow during heating operation



20/22/24HP

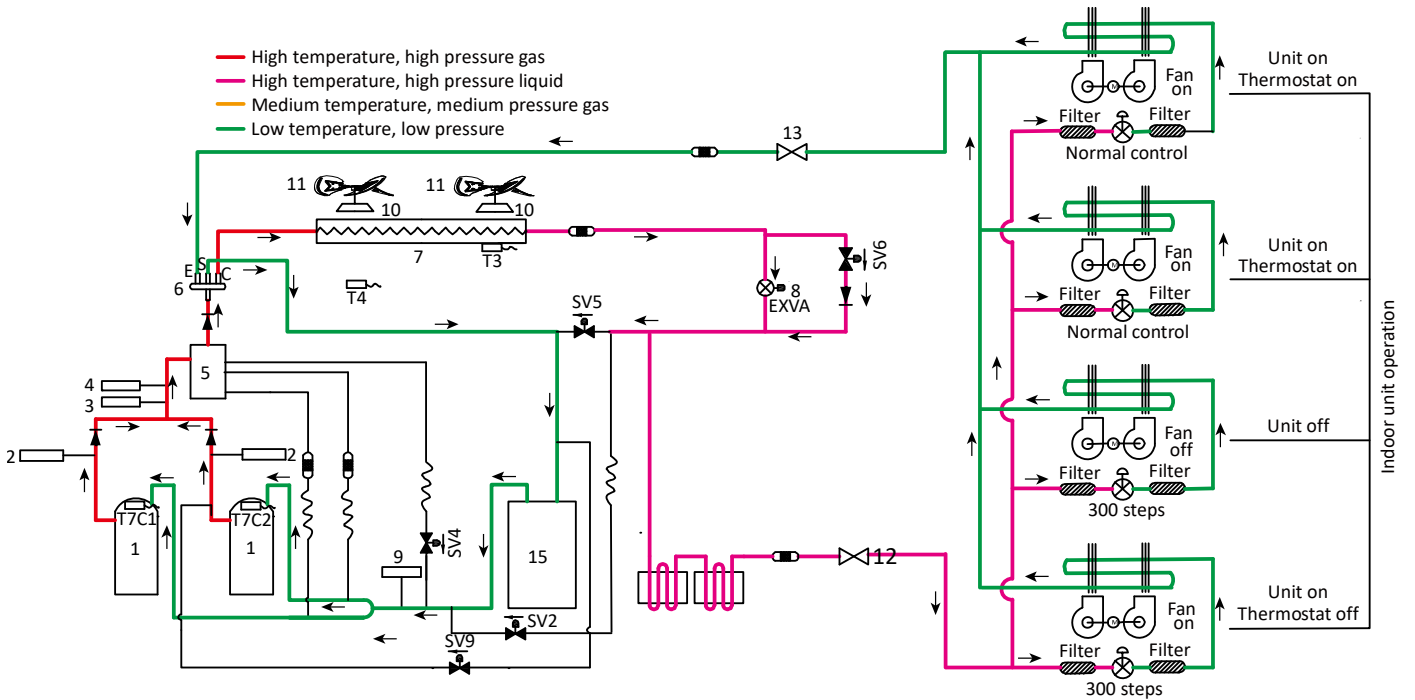
Cooling operation

Figure 2-3.9: 20/22/24HP refrigerant flow during cooling operation



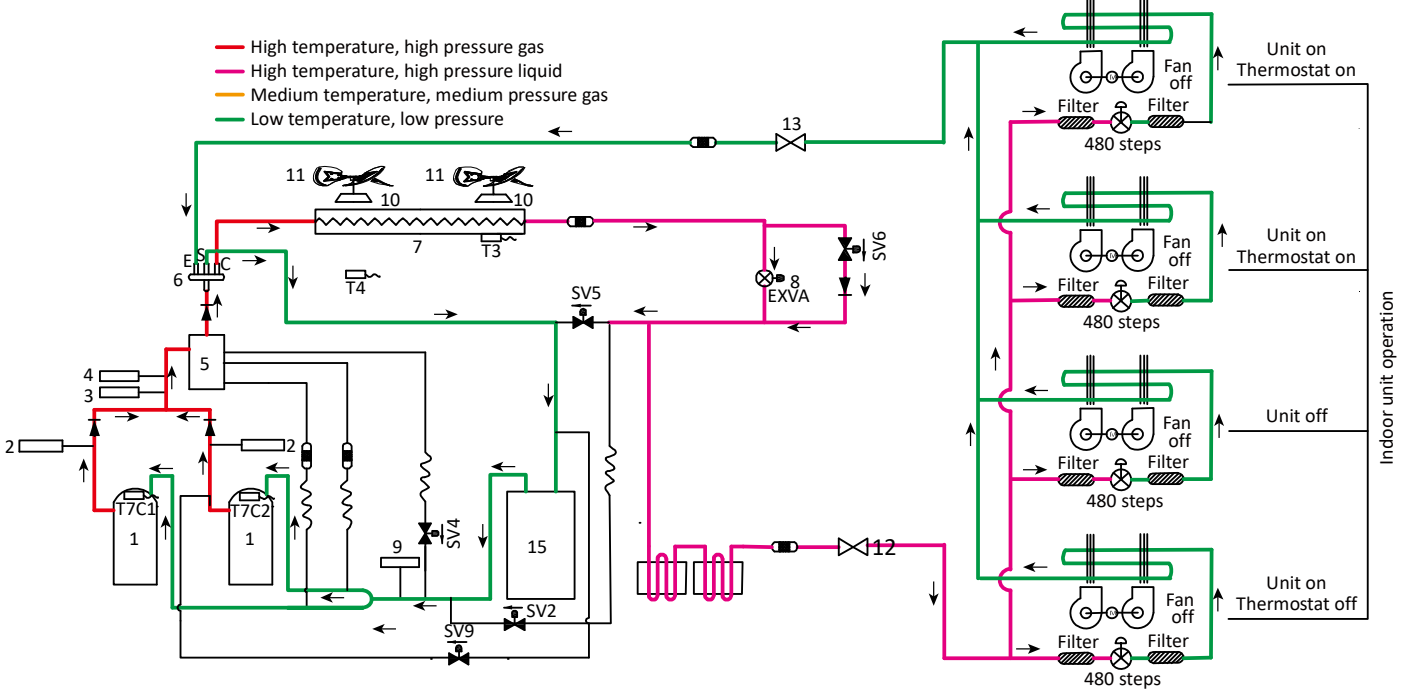
Oil return operation in cooling mode

Figure 2-3.10: 20/22/24HP refrigerant flow during oil return operation in cooling mode



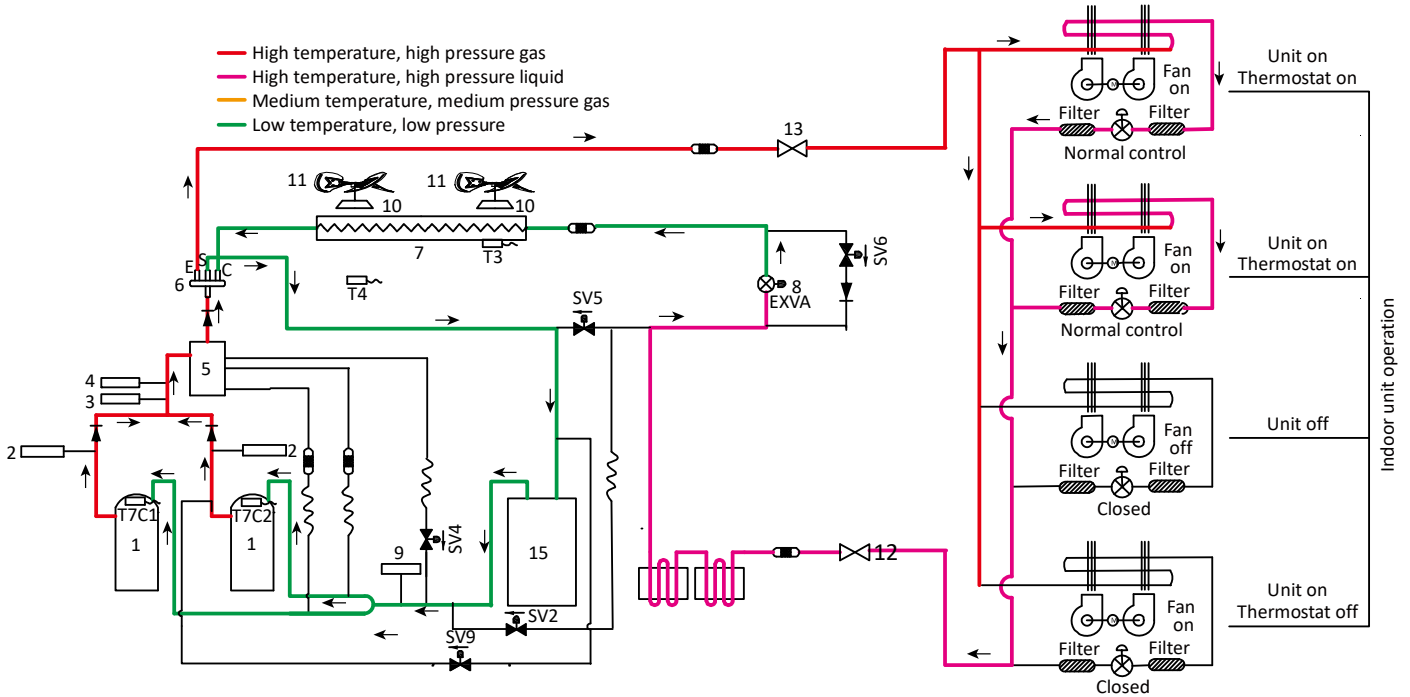
Oil return operation in heating mode and defrosting operation

Figure 2-3.11: 20/22/24HP refrigerant flow during oil return operation in heating mode and during defrosting operation



Heating operation

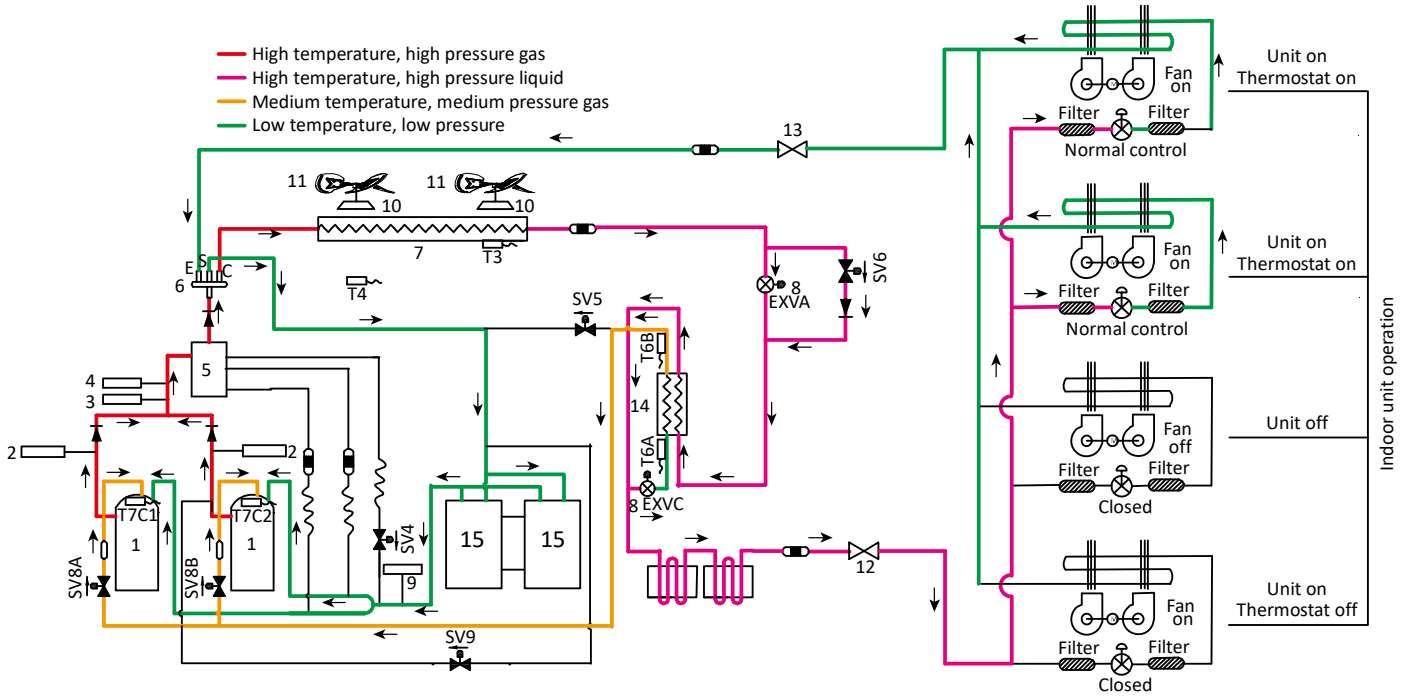
Figure 2-3.12: 20/22/24HP refrigerant flow during heating operation



26/28HP

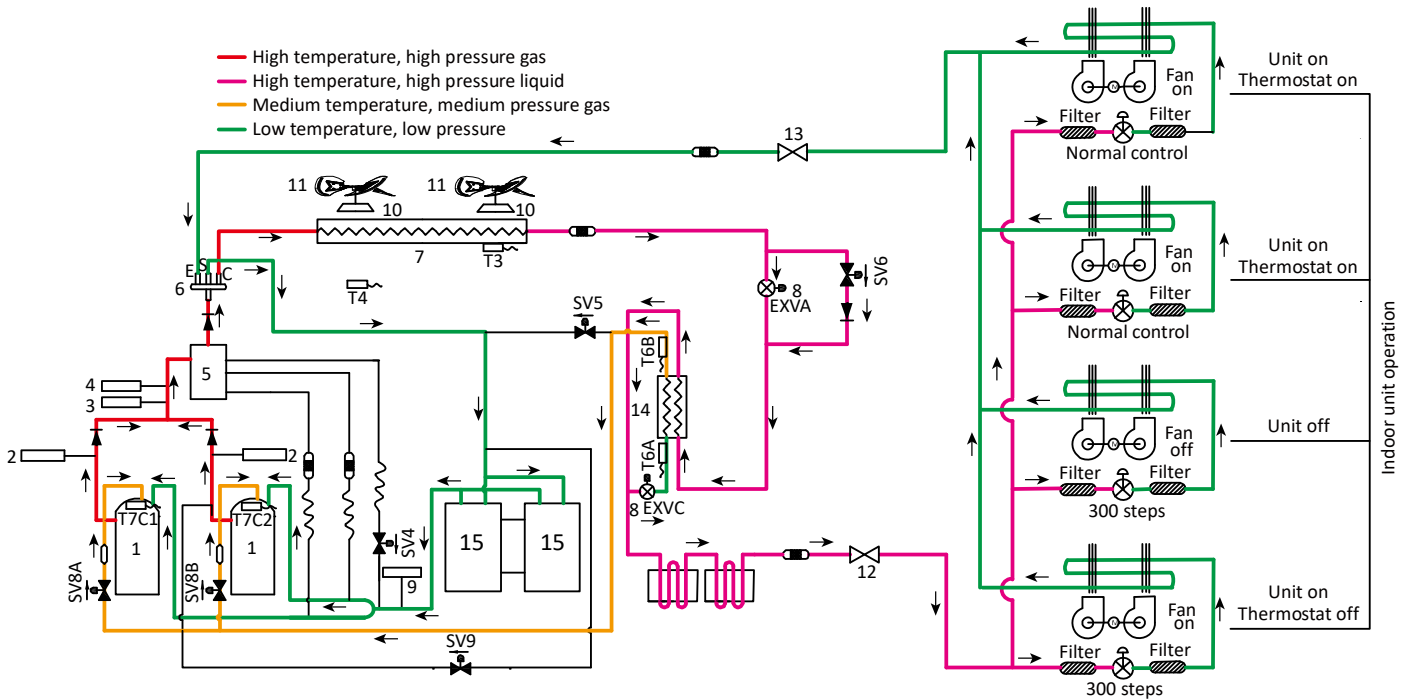
Cooling operation

Figure 2-3.13: 26/28HP refrigerant flow during cooling operation



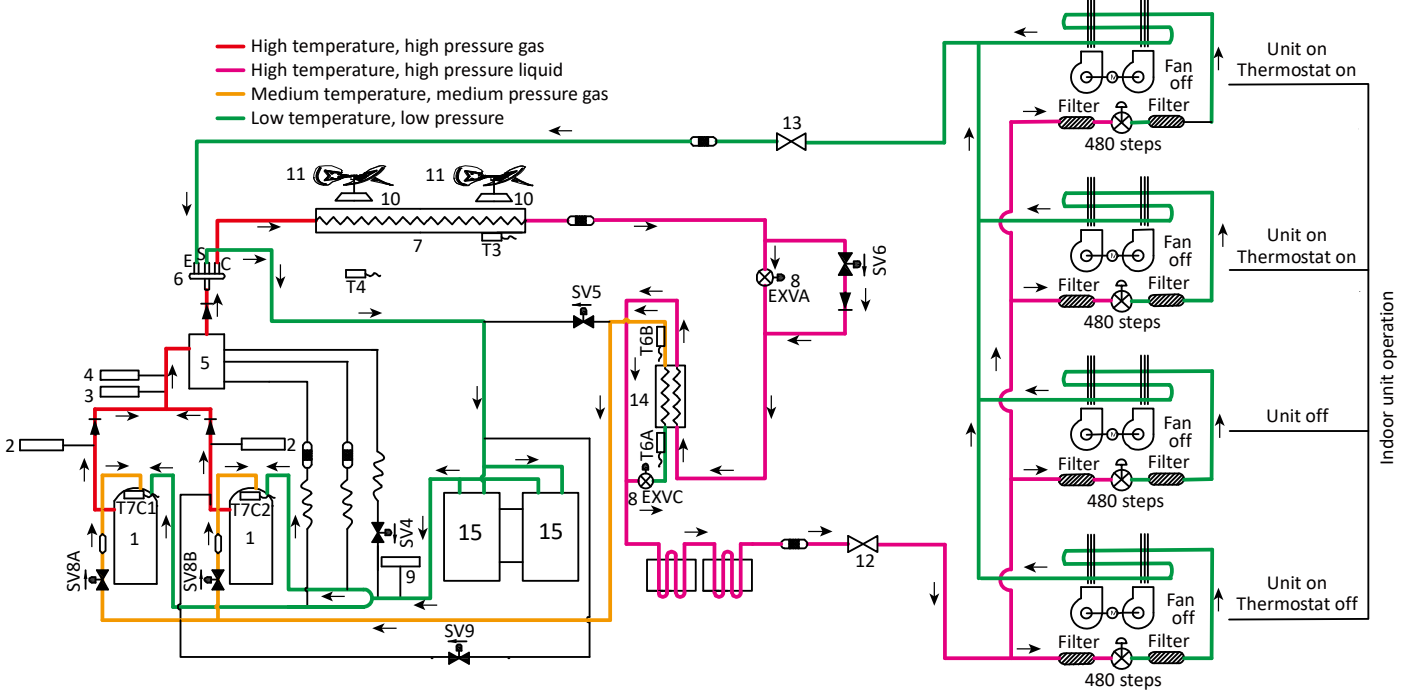
Oil return operation in cooling mode

Figure 2-3.14: 26/28HP refrigerant flow during oil return operation in cooling mode



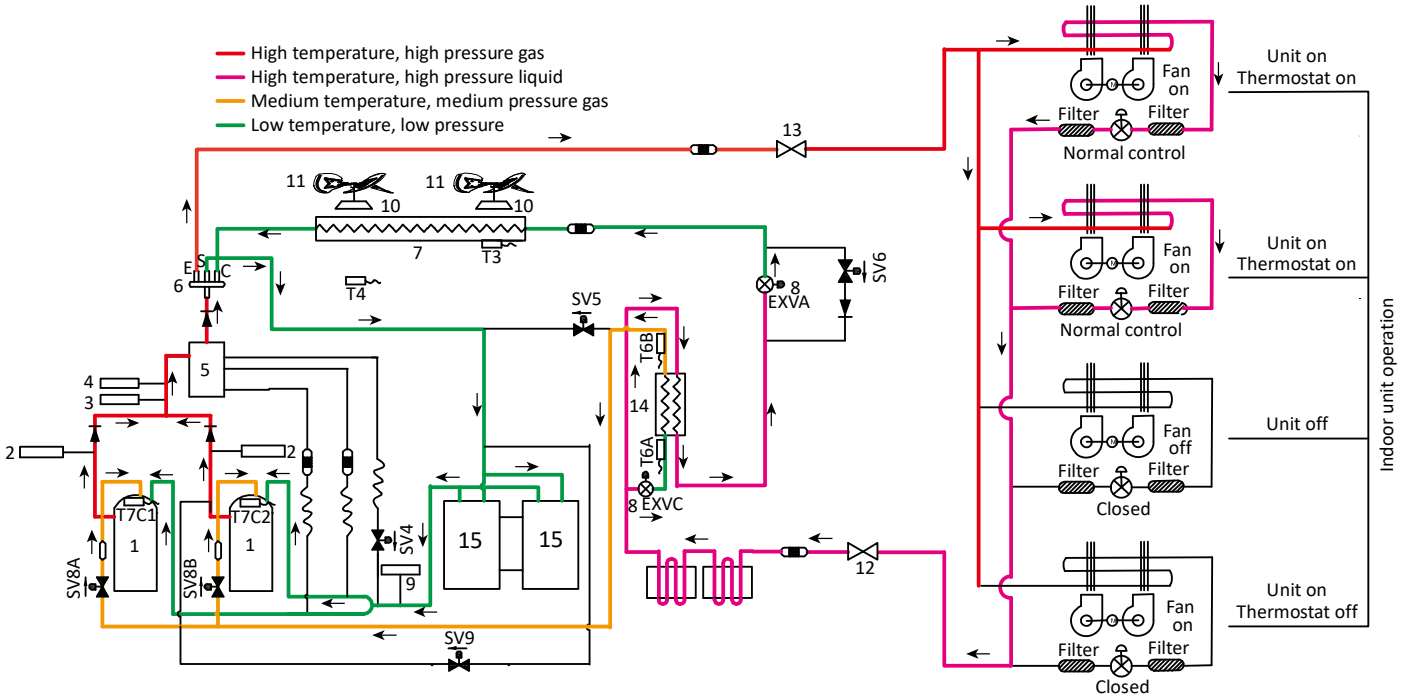
Oil return operation in heating mode and defrosting operation

Figure 2-3.15: 26/28HP refrigerant flow during oil return operation in heating mode and during defrosting operation



Heating operation

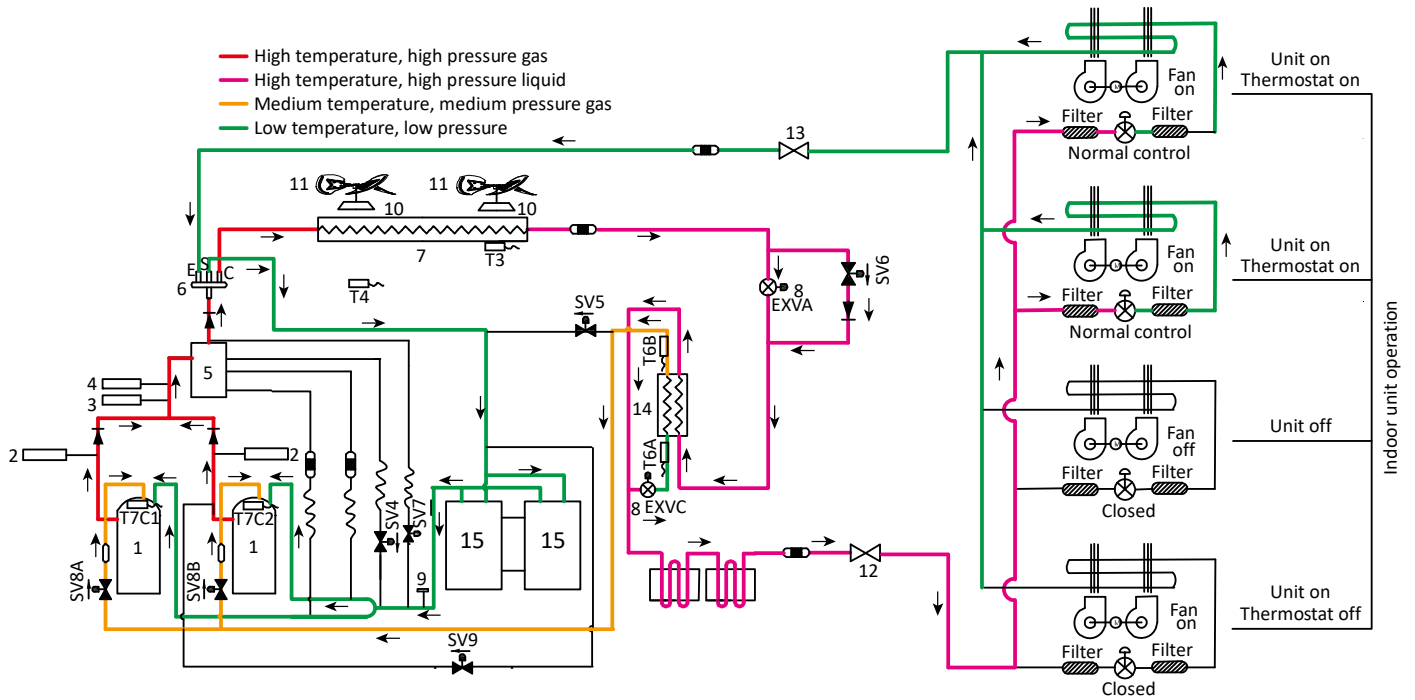
Figure 2-3.16: 26/28HP refrigerant flow during heating operation



30/32HP

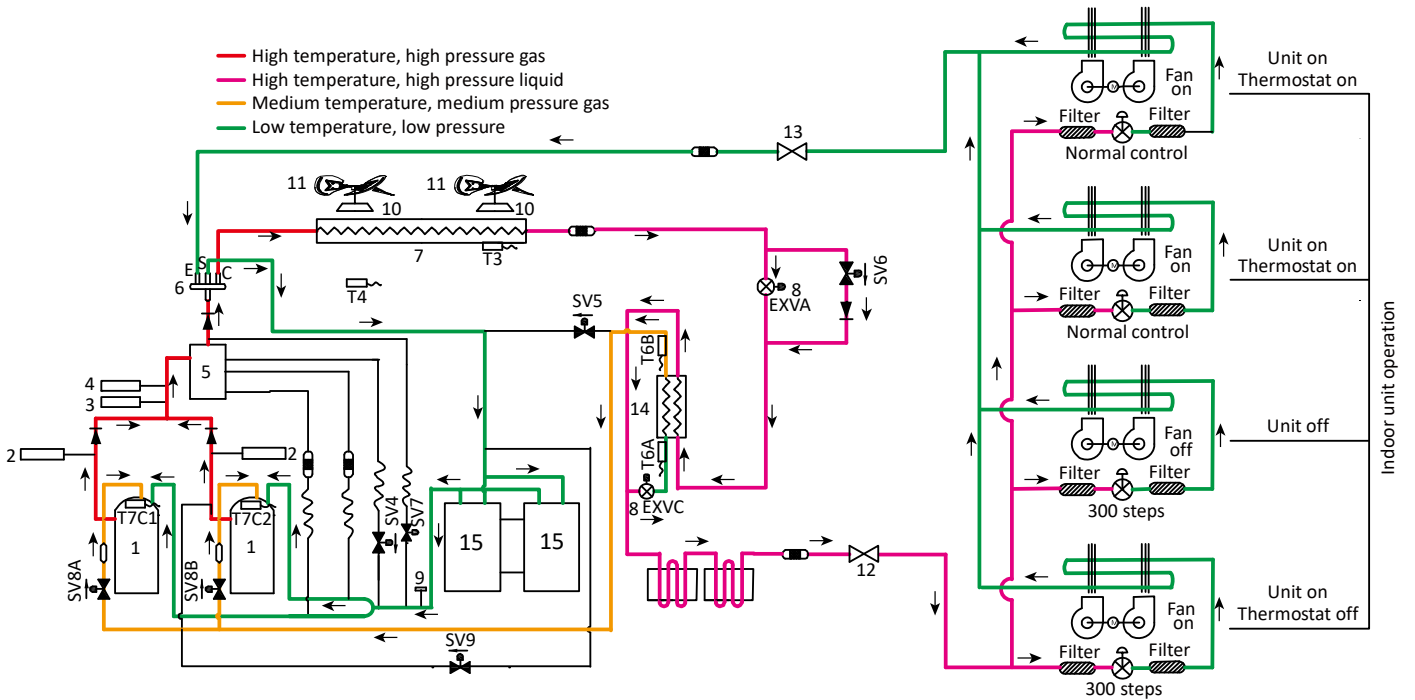
Cooling operation

Figure 2-3.17: 30/32HP refrigerant flow during cooling operation



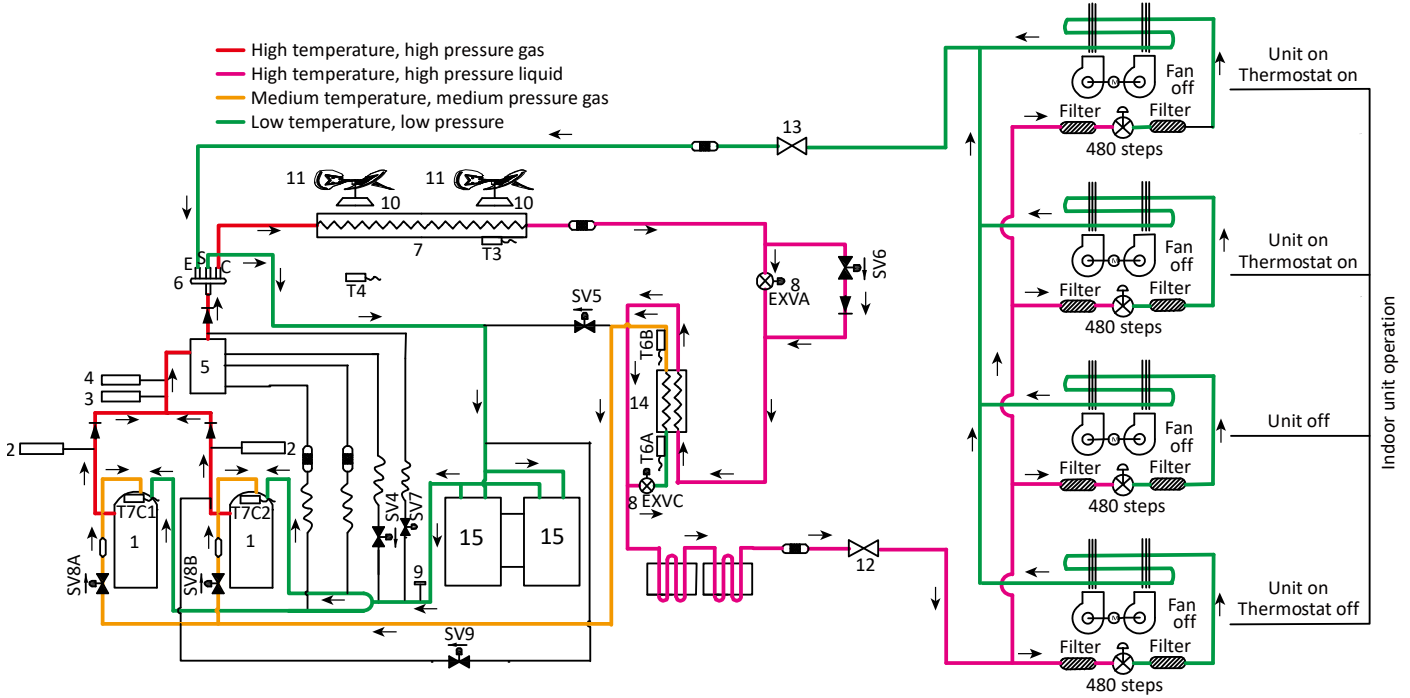
Oil return operation in cooling mode

Figure 2-3.18: 30/32HP refrigerant flow during oil return operation in cooling mode



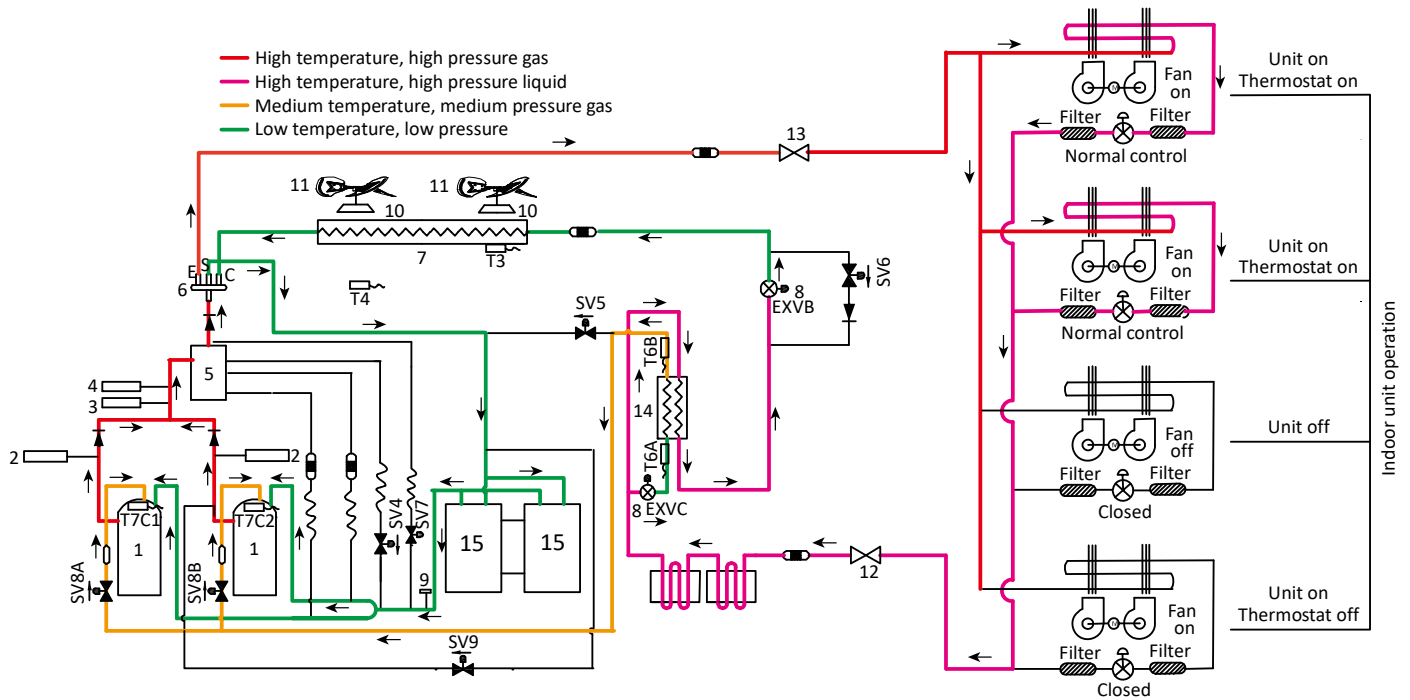
Oil return operation in heating mode and defrosting operation

Figure 2-3.19: 30/32HP refrigerant flow during oil return operation in heating mode and during defrosting operation



Heating operation

Figure 2-3.20: 30/32HP refrigerant flow during heating operation



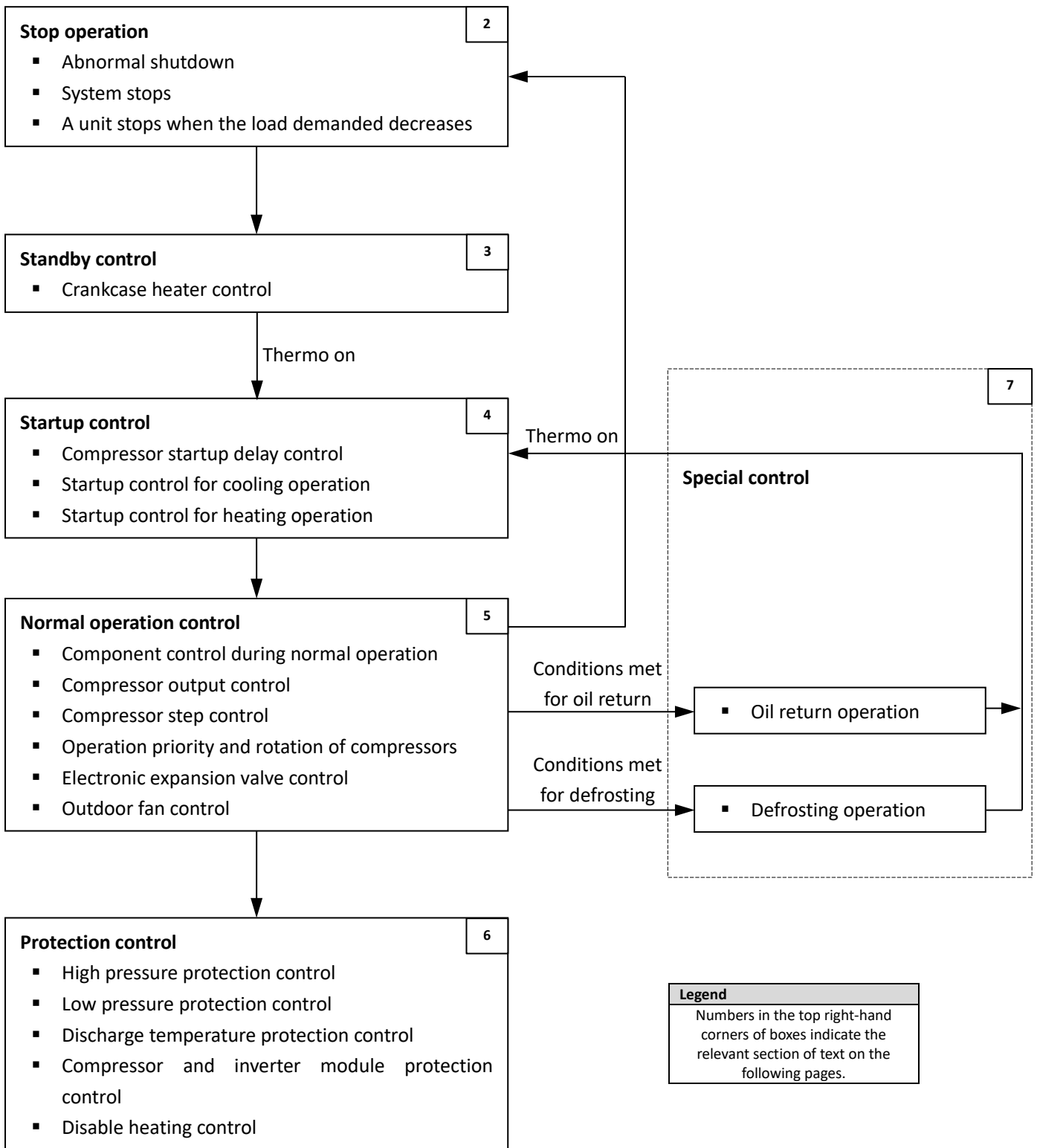
Part 3

Control

1	General Control Scheme Flowchart.....	40
2	Stop Operation	41
3	Standby Control.....	41
4	Startup Control.....	42
5	Normal Operation Control	44
6	Protection Control	48
7	Special Control.....	50

1 General Control Scheme Flowchart

Sections 3-2 to 3-7 on the following pages detail when each of the controls in the flowchart below is activated.



2 Stop Operation

The stop operation occurs for one of the three following reasons:

1. Abnormal shutdown: in order to protect the compressors, if an abnormal state occurs the system makes a 'stop with thermo off' operation and an error code is displayed on the outdoor unit digital displays.
2. The system stops when the set temperature has been reached.

3 Standby Control

3.1 Crankcase Heater Control

The crankcase heater is used to prevent refrigerant from mixing with compressor oil when the compressors are stopped. The crankcase heater is controlled according to outdoor ambient temperature and discharge temperature. When the outdoor ambient temperature is above 40°C, the crankcase heater is off; when the outdoor ambient temperature is below 35°C, the crankcase heater is controlled according to discharge temperature. Refer to Figures 3-3.1 and 3-3.2.

Figure 3-3.1: Crankcase heater controlled according to outdoor ambient temperature

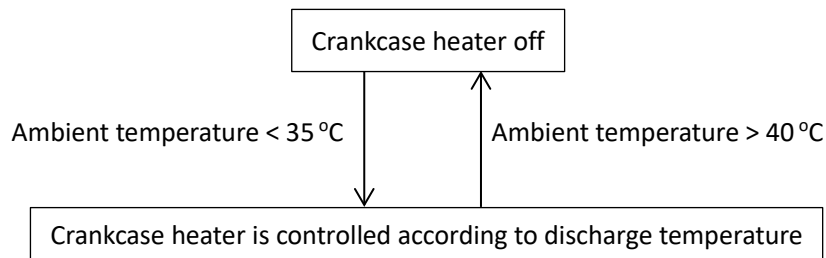
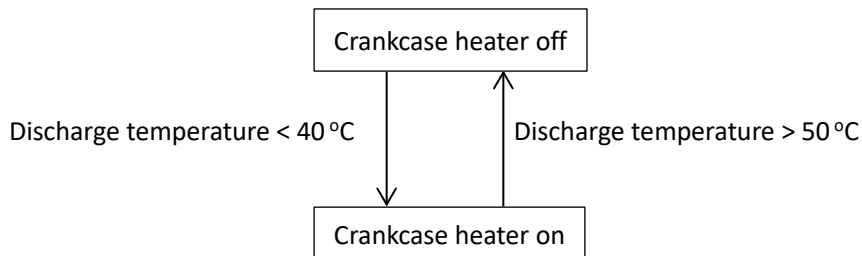


Figure 3-3.2: Crankcase heater controlled according to discharge temperature



4 Startup Control

4.1 Compressor Startup Delay Control

In initial startup control, compressor startup is delayed for 12 minutes in order to let the outdoor unit search for the indoor units' addresses. In restart control (except in oil return operation and defrosting operation), compressor startup is delayed such that a minimum of 7 minutes has elapsed since the compressor stopped, in order to prevent frequent compressor on/off and to equalize the pressure within the refrigerant system.

4.2 Startup Control for Cooling Operation

Table 3-4.1: Component control during startup in cooling mode

Component	Wiring diagram label	8-12HP	14-18HP	20-24HP	26-28HP	30-32HP	Control functions and states
Inverter compressor A	COMP(A)	•	•	•	•	•	Controlled according to load requirement, operating frequency increased by 1 step / sec
Inverter compressor B	COMP(B)			•	•	•	
DC fan motor A	FANA	•	•	•	•	•	Fan speed ¹ controlled according to discharge pressure (P_c): <ul style="list-style-type: none"> ▪ At initial speed for 90 seconds. ▪ Subsequently, P_c checked every 10 seconds: <ul style="list-style-type: none"> • $P_c \geq 2.7\text{MPa} \Rightarrow$ 1 step increase. • $P_c \leq 2.1\text{MPa} \Rightarrow$ 1 step decrease.
DC fan motor B	FANB			•	•	•	
Electronic expansion valve A	EXVA	•	•	•	•	•	Position (steps) from 0 (fully closed) to 480 or 3000 (fully open), controlled according to discharge temperature
Electronic expansion valve C	EXVC	•	•		•	•	Position (steps) from 0 (fully closed) to 480 (fully open), controlled according to temperature different between plate heat exchanger inlet and outlet
Four-way valve	ST1	•	•	•	•	•	Off
Solenoid valve (liquid refrigerant injection)	SV2			•			Off
Solenoid valve (oil balance)	SV4	•	•	•	•	•	Closed for 200 secs, open for 600 secs, then closed
Solenoid valve (fast defrosting (in heating) and unloading (in cooling))	SV5	•	•	•	•	•	Open for 4 mins, then closed
Solenoid valve (EXV bypass)	SV6	•	•	•	•	•	Open for 10 mins, then controlled according to pressure
Solenoid valve (indoor units bypass)	SV7		•			•	Controlled according to load requirement
Solenoid valve (inverter compressor A vapor injection)	SV8A	•	•		•	•	Controlled according to inverter compressor A
Solenoid valve (inverter compressor B vapor injection)	SV8B				•	•	Controlled according to inverter compressor B
Solenoid valve (inverter compressor B pressure balance)	SV9			•	•	•	Open before compressor B startup

Notes:

1. Refer to Table 3-5.3 in Part 3, 5.6 "Outdoor Fan Control" for more information on fan speed steps.

4.3 Startup Control for Heating Operation

Table 3-4.2: Component control during startup in heating mode

Component	Wiring diagram label	8-12HP	14-18HP	20-24HP	26-28HP	30-32HP	Control functions and states
Inverter compressor A	COMP(A)	•	•	•	•	•	Controlled according to load requirement, operating frequency increased by 1 step / sec
Inverter compressor B	COMP(B)			•	•	•	
DC fan motor A	FANA	•	•	•	•	•	Open once the four-way valve has opened, controlled according to outdoor ambient temperature and load requirement
DC fan motor B	FANB			•	•	•	
Electronic expansion valve A	EXVA	•	•	•	•	•	Position (steps) from 0 (fully closed) to 480 or 3000 (fully open), controlled according to discharge superheat
Electronic expansion valve C	EXVC	•	•		•	•	Position (steps) from 0 (fully closed) to 480 (fully open), controlled according to temperature different between plate heat exchanger inlet and outlet
Four-way valve	ST1	•	•	•	•	•	On
Solenoid valve (liquid refrigerant injection)	SV2			•			Off
Solenoid valve (oil balance)	SV4	•	•	•	•	•	Closed for 200 secs, open for 600 secs, then closed
Solenoid valve (fast defrosting (in heating) and unloading (in cooling))	SV5	•	•	•	•	•	Open for 4 mins, then closed
Solenoid valve (EXV bypass)	SV6	•	•	•	•	•	Off
Solenoid valve (indoor units bypass)	SV7		•			•	Controlled according to load requirement
Solenoid valve (inverter compressor A vapor injection)	SV8A	•	•		•	•	Controlled according to inverter compressor A
Solenoid valve (inverter compressor B vapor injection)	SV8B				•	•	Controlled according to inverter compressor B
Solenoid valve (inverter compressor B pressure balance)	SV9			•	•	•	Open before compressor B startup

5 Normal Operation Control

5.1 Component Control during Normal Operation

Table 3-5.1: Component control during normal cooling operation

Component	Wiring diagram label	8-12HP	14-18HP	20-24HP	26-28HP	30-32HP	Control functions and states
Inverter compressor A	COMP(A)	•	•	•	•	•	Controlled according to load requirement
Inverter compressor B	COMP(B)			•	•	•	
DC fan motor A	FANA	•	•	•	•	•	Controlled according to discharge pressure
DC fan motor B	FANB			•	•	•	
Electronic expansion valve A	EXVA	•	•	•	•	•	Position (steps) from 0 (fully closed) to 480 or 3000 (fully open), controlled according to discharge temperature
Electronic expansion valve C	EXVC	•	•		•	•	Position (steps) from 0 (fully closed) to 480 (fully open), controlled according to temperature different between plate heat exchanger inlet and outlet
Four-way valve	ST1	•	•	•	•	•	Off
Solenoid valve (liquid refrigerant injection)	SV2			•			Only open if discharge temperature > 100°C
Solenoid valve (oil balance)	SV4	•	•	•	•	•	Open regularly
Solenoid valve (fast defrosting (in cooling) and unloading (in heating))	SV5	•	•	•	•	•	Controlled according to ambient temperature, discharge pressure, discharge temperature, compressor running frequency and discharge superheat
Solenoid valve (EXV bypass)	SV6	•	•	•	•	•	Controlled according to discharge pressure and discharge temperature
Solenoid valve (indoor units bypass)	SV7		•			•	Controlled according to load requirement
Solenoid valve (inverter compressor A vapor injection)	SV8A	•	•		•	•	Controlled according to inverter compressor A on/off
Solenoid valve (inverter compressor B vapor injection)	SV8B				•	•	Controlled according to inverter compressor B on/off
Solenoid valve (inverter compressor B pressure balance)	SV9			•	•	•	Open before compressor B startup and close after compressor B running for 15 seconds. Open after compressor B stop 10 seconds and keep open 60 seconds.

Table 3-5.2: Component control during heating operation

Component	Wiring diagram label	8-12HP	14-18HP	20-24HP	26-28HP	30-32HP	Control functions and states
Inverter compressor A	COMP(A)	•	•	•	•	•	Controlled according to load requirement
Inverter compressor B	COMP(B)			•	•	•	
DC fan motor A	FANA	•	•	•	•	•	Controlled according to outdoor ambient temperature, outdoor heat exchanger pipe temperature, discharge pressure and load requirement
DC fan motor B	FANB			•	•	•	
Electronic expansion valve A	EXVA	•	•	•	•	•	Position (steps) from 0 (fully closed) to 480 or 3000 (fully open), controlled according to discharge superheat
Electronic expansion valve C	EXVC	•	•	•	•	•	Position (steps) from 0 (fully closed) to 480 (fully open), controlled according to temperature different between plate heat exchanger inlet and outlet
Four-way valve	ST1	•	•	•	•	•	Off
Solenoid valve (liquid refrigerant injection)	SV2			•			Only open if discharge temperature > 100°C
Solenoid valve (oil balance)	SV4	•	•	•	•	•	Open regularly
Solenoid valve (fast defrosting (in heating) and unloading (in cooling))	SV5	•	•	•	•	•	Controlled according to ambient temperature, discharge pressure, discharge temperature, compressor running frequency and discharge superheat
Solenoid valve (EXV bypass)	SV6	•	•	•	•	•	Off
Solenoid valve (indoor units bypass)	SV7		•			•	Controlled according to load requirement
Solenoid valve (inverter compressor A vapor injection)	SV8A	•	•		•	•	Controlled according to inverter compressor A on/off
Solenoid valve (inverter compressor B vapor injection)	SV8B				•	•	Controlled according to inverter compressor B on/off
Solenoid valve (inverter compressor B pressure balance)	SV9			•	•	•	Open before compressor B startup and close after compressor B running for 15 seconds. Open after compressor B stop 10 seconds and keep open 60 seconds.

5.2 Compressor Output Control

The compressor rotation speed is controlled according to the load requirement. Before compressor startup, the outdoor unit first estimates the indoor unit load requirement according to the nominal capacity of indoor units currently running, and then correct for ambient temperature. The compressors then start up according to the corrected load requirement.

During operation the compressors are controlled according to the nominal capacity of indoor units currently running and the indoor unit heat exchanger temperatures.

5.3 Compressor Step Control

The running speed of the compressors in rotations per second (rps) is one third of the frequency (in Hz) of the electrical input to the compressor motors. The compressor speed can be altered in increments of 1 rps.

5.4 Operating Priority and Rotation of Compressors

Figure 3-5.1 shows the compressor operating priority and rotation in the outdoor unit. In units with two compressors, inverter compressor A (BP1) operates in priority to inverter compressor B (BP2).

Figure 3-5.1: Compressor priority and rotation – one outdoor unit



5.5 Electronic Expansion Valve Control

EXVA control

The position of electronic expansion valves EXVA is controlled in steps from 0 (fully closed) to 480 (fully open) or 3000 (fully open).

In cooling mode:

- When the outdoor unit is in standby:
 - EXVA is at position 352 (steps) or 2112 (steps).
- When the outdoor unit is running:
 - EXVA is controlled according to discharge temperature.

In heating mode:

- When the outdoor unit is in standby:
 - EXVA is at position 352 (steps) or 2112 (steps).
- When the outdoor unit is running:
 - EXVA is controlled according to discharge superheat.

EXVC control

The positions of electronic expansion valves EXVC are controlled in steps from 0 (fully closed) to 480 (fully open).

In cooling / heating mode:

- When the outdoor unit is in standby:
 - EXVC is fully closed.
- When the outdoor unit is running:
 - EXVC is controlled according to temperature different between plate heat exchanger inlet and outlet.

5.6 Outdoor Fan Control

The speed of the outdoor unit fans is adjusted in steps, as shown in Table 3-5.3.

Table 3-5.3: Outdoor fan speed steps

Fan speed index	Fan speed (rpm)		
	8-18HP	20-22HP	24-32HP
		FANA / FANB	FANA / FANB
0	0	0 / 0	0 / 0
1	120	150 / 0	120 / 0
2	150	190 / 0	150 / 0
3	170	230 / 0	170 / 0
4	190	270 / 0	190 / 0
5	210	310 / 0 (150 / 150)	210 / 0
6	230	350 / 0 (180 / 180)	230 / 0
7	250	380 / 0 (210 / 210)	250 / 0 (120 / 120)
8	270	410 / 0 (240 / 240)	270 / 0 (150 / 150)
9	290	280 / 280	330 / 0 (170 / 170)
10	310	320 / 320	370 / 0 (190 / 190)
11	330	360 / 360	210 / 210
12	350	400 / 400	230 / 230
13	370	440 / 440	250 / 250
14	390	480 / 480	270 / 270
15	410	520 / 520	290 / 290
16	430	560 / 560	310 / 310
17	450	600 / 600	330 / 330
18	470	640 / 640	350 / 350
19	490	680 / 680	370 / 370
20	510	720 / 720	400 / 400
21	530	760 / 760	430 / 430
22	560	800 / 800	470 / 470
23	580	840 / 840	510 / 510
24	600	880 / 880	550 / 550
25	630	910 / 910	600 / 600
26	650	940 / 940	650 / 650
27	700	980 / 980	700 / 700
28	750	1010 / 1010	750 / 750
29	800	1020 / 1020	800 / 800
30	850	1050 / 1050	830 / 830
31	880	1080 / 1080	850 / 850
32	920	1120 / 1120	870 / 870
33	920	1140 / 1140	890 / 890
34	920	1140 / 1140	920 / 920
35	920	1140 / 1140	920 / 920
36 (ESP 40Pa mode)	950	1200 / 1200	950 / 950
37 (ESP 60Pa mode)	980	1200 / 1200	980 / 980

Note:

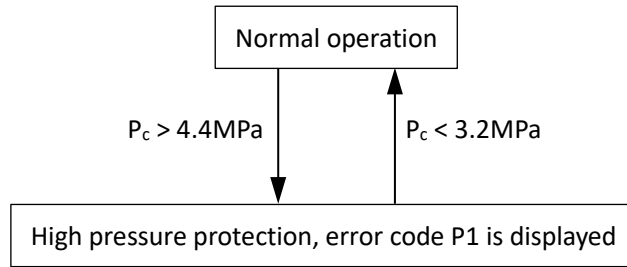
1. For 20-22HP unit fan speed 5 to 8 and 24-32HP unit fan speed 7 to 10, when fan speed decreases, the fan speed is shown in the bracket; when fan speed increases, the fan speed is shown without bracket.

6 Protection Control

6.1 High Pressure Protection Control

This control protects the system from abnormally high pressure and protects the compressors from transient spikes in pressure.

Figure 3-6.1: High pressure protection control



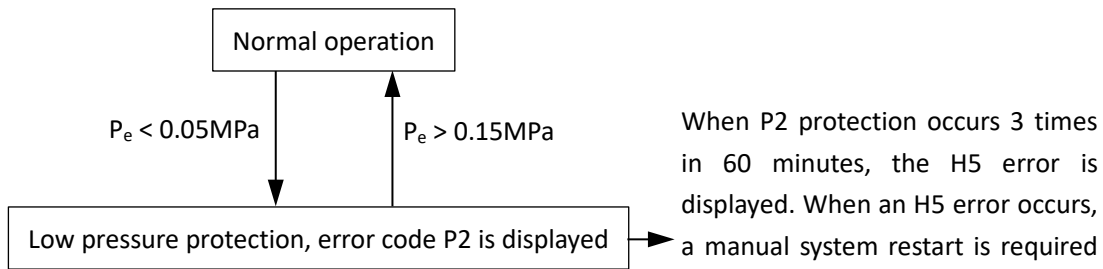
Notes:

1. Pc: Discharge pressure

6.2 Low Pressure Protection Control

This control protects the system from abnormally low pressure and protects the compressors from transient drops in pressure.

Figure 3-6.2: Low pressure protection control



Notes:

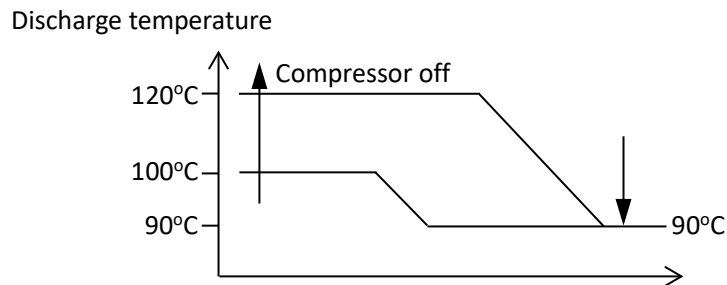
1. Pe: Suction pressure

When P2 protection occurs 3 times in 60 minutes, the H5 error is displayed. When an H5 error occurs, a manual system restart is required before the system can resume operation.

6.3 Discharge Temperature Protection Control

This control protects the compressors from abnormally high temperatures and transient spikes in temperature. It is performed for each compressor.

Figure 3-6.3: Discharge temperature protection control

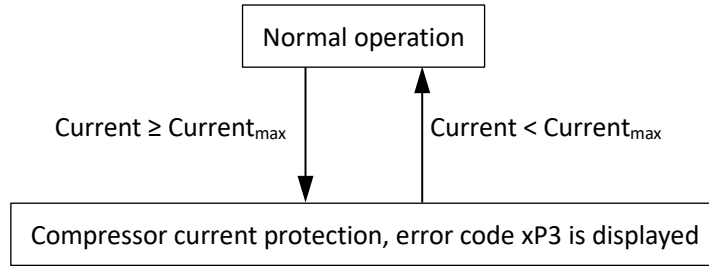


When the discharge temperature rises above 120°C the system displays P4 protection and all units stop running. When P4 protection occurs 3 times in 100 minutes, the H6 error is displayed. When an H6 error occurs, a manual system restart is required before the system can resume operation.

6.4 Compressor and Inverter Module Protection Control

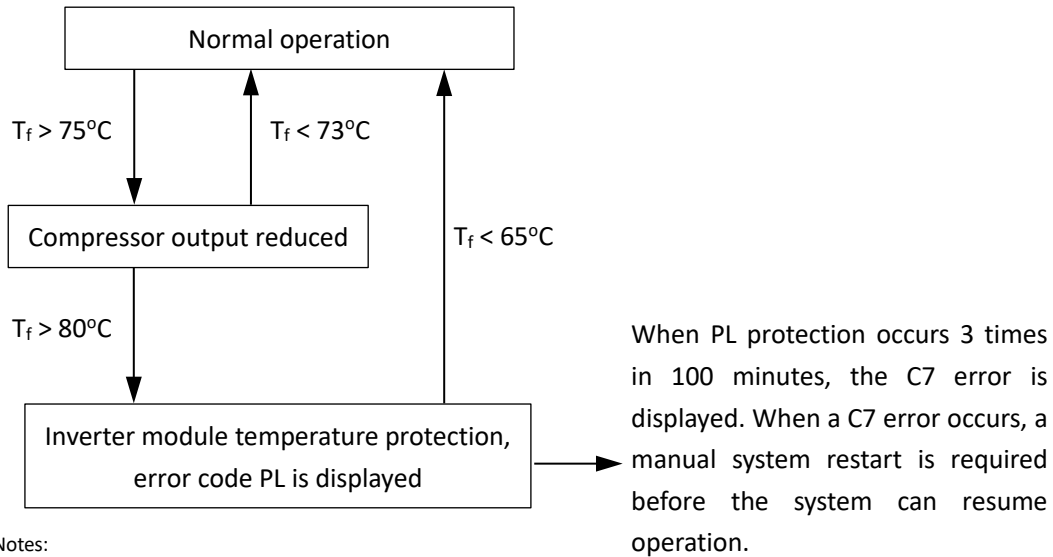
This control protects the compressors from abnormally high currents and protects the inverter modules from abnormally high temperatures. It is performed for each compressor and inverter module.

Figure 3-6.4: Compressor current protection control



Compressor model	AA55PHDG –D1YG	DC80PHDG –D1YG
Current _{max}	24.6	33

Figure 3-6.5: Inverter module temperature protection control

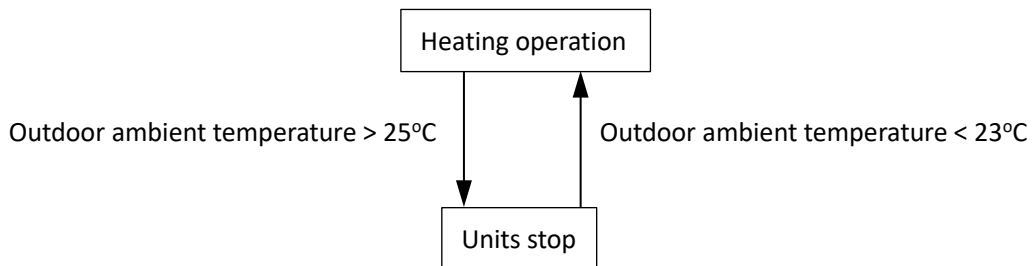


- Notes:
 1. Tf: Heat sink temperature

6.5 Disable Heating Control

When the outdoor ambient temperature rises above 25°C heating mode is disabled to prevent the mechanical load on compressors becoming too high and to prevent low compression ratios which can result in insufficient compressor internal oil lubrication.

Figure 3-6.6: Disable heating control



7 Special Control

7.1 Oil Return Operation

In order to prevent compressors from running out of oil, the oil return operation is conducted to recover oil that has flowed out of the compressor(s) and into the piping system. This operation is performed for all units including units that are in standby. When the outdoor unit is running in oil return, the digital display on outdoor main PCB will display “d0”.

Timing of oil return operation:

- When the initial cumulative operating time reaches 140 minutes and then every 8 hours.

Tables 3-7.1 and 3-7.2 show component control during oil return operation in cooling mode.

Table 3-7.1: Outdoor unit component control during oil return operation in cooling mode

Component	Wiring diagram label	8-12HP	14-18HP	20-24HP	26-28HP	30-32HP	Control functions and states
Inverter compressor A	COMP(A)	•	•	•	•	•	Fixed frequency
Inverter compressor B	COMP(B)			•	•	•	
DC fan motor A	FANA	•	•	•	•	•	Fan speed controlled according to discharge pressure
DC fan motor B	FANB			•	•	•	
Electronic expansion valve A	EXVA	•	•	•	•	•	Position 480 (steps) or 3000 (steps)
Electronic expansion valve C	EXVC	•	•		•	•	Position 96 (steps)
Four-way valve	ST1	•	•	•	•	•	Off
Solenoid valve (liquid refrigerant injection)	SV2			•			Normal control
Solenoid valve (oil balance)	SV4	•	•	•	•	•	Normal control
Solenoid valve (fast defrosting)	SV5	•	•	•	•	•	On
Solenoid valve (EXV bypass)	SV6	•	•	•	•	•	On
Solenoid valve (indoor units bypass)	SV7		•			•	Normal control
Solenoid valve (inverter compressor A vapor injection)	SV8A	•	•		•	•	Controlled according to inverter compressor A
Solenoid valve (inverter compressor B vapor injection)	SV8B				•	•	Controlled according to inverter compressor B
Solenoid valve (inverter compressor B pressure balance)	SV9			•	•	•	Open before compressor B startup

Table 3-7.2: Indoor unit component control during oil return operation in cooling mode

Component	Unit state	Control functions and states
Fan	Thermo on	Remote controller setting
	Standby	Off
	Thermo off	Off
Electronic expansion valve	Thermo on	Normal control
	Standby	300 (steps)
	Thermo off	300 (steps)

Tables 3-7.3 and 3-7.4 show component control during oil return operation in heating mode.

Table 3-7.3: Outdoor unit component control during oil return operation in heating mode

Component	Wiring diagram label	8-12HP	14-18HP	20-24HP	26-28HP	30-32HP	Control functions and states
Inverter compressor A	COMP(A)	•	•	•	•	•	Fixed frequency
Inverter compressor B	COMP(B)			•	•	•	
DC fan motor A	FANA	•	•	•	•	•	Fan speed controlled according to discharge pressure
DC fan motor B	FANB			•	•	•	
Electronic expansion valve A	EXVA	•	•	•	•	•	Position 480 (steps) or 3000 (steps)
Electronic expansion valve C	EXVC	•	•		•	•	Position 96 (steps)
Four-way valve	ST1	•	•	•	•	•	Off
Solenoid valve (liquid refrigerant injection)	SV2			•			Normal control
Solenoid valve (oil balance)	SV4	•	•	•	•	•	Normal control
Solenoid valve (fast defrosting)	SV5	•	•	•	•	•	On
Solenoid valve (EXV bypass)	SV6	•	•	•	•	•	On
Solenoid valve (indoor units bypass)	SV7		•			•	Normal control
Solenoid valve (inverter compressor A vapor injection)	SV8A	•	•		•	•	Off
Solenoid valve (inverter compressor B vapor injection)	SV8B				•	•	Off
Solenoid valve (inverter compressor B pressure balance)	SV9			•	•	•	Open before compressor B startup

Table 3-7.4: Indoor unit component control during oil return operation in heating mode

Component	Unit state	Control functions and states
Fan	Thermo on	Off
	Standby	Off
	Thermo off	Off
Electronic expansion valve	Thermo on	480 (steps)
	Standby	480 (steps)
	Thermo off	480 (steps)

7.2 Defrosting Operation

In order to recover heating capacity, the defrosting operation is conducted when the outdoor unit heat exchanger is performing as an evaporator. The defrosting operation is controlled according to outdoor ambient temperature, outdoor heat exchanger temperature, indoor heat exchanger temperature and outdoor unit running time. When the outdoor unit is running in defrosting, the digital display on outdoor main PCB will display “df”.

Table 3-7.5: Outdoor unit component control during defrosting operation

Component	Wiring diagram label	8-12HP	14-18HP	20-24HP	26-28HP	30-32HP	Control functions and states
Inverter compressor A	COMP(A)	●	●	●	●	●	Fixed frequency
Inverter compressor B	COMP(B)			●	●	●	
DC fan motor A	FANA	●	●	●	●	●	Off
DC fan motor B	FANB			●	●	●	
Electronic expansion valve A	EXVA	●	●	●	●	●	Position 480 (steps) or 3000 (steps)
Electronic expansion valve C	EXVC	●	●		●	●	Position 480 (steps)
Four-way valve	ST1	●	●	●	●	●	Off
Solenoid valve (liquid refrigerant injection)	SV2			●			Normal control
Solenoid valve (oil balance)	SV4	●	●	●	●	●	Normal control
Solenoid valve (fast defrosting)	SV5	●	●	●	●	●	On
Solenoid valve (EXV bypass)	SV6	●	●	●	●	●	On
Solenoid valve (indoor units bypass)	SV7		●			●	Normal control
Solenoid valve (inverter compressor A vapor injection)	SV8A	●	●		●	●	Off
Solenoid valve (inverter compressor B vapor injection)	SV8B				●	●	Off
Solenoid valve (inverter compressor B pressure balance)	SV9			●	●	●	Open before compressor B startup

Table 3-7.6: Indoor unit component control during defrosting operation

Component	Unit state	Control functions and states
Fan	Thermo on	Off
	Standby	Off
	Thermo off	Off
Electronic expansion valve	Thermo on	480 (steps)
	Standby	480 (steps)
	Thermo off	480 (steps)

Part 4

Field Settings

1	Outdoor Unit Field Settings	54
----------	--	-----------

1 Outdoor Unit Field Settings

1.1 PCB Switches and Switch Settings

Figure 4-1.1: Outdoor unit main PCB switches

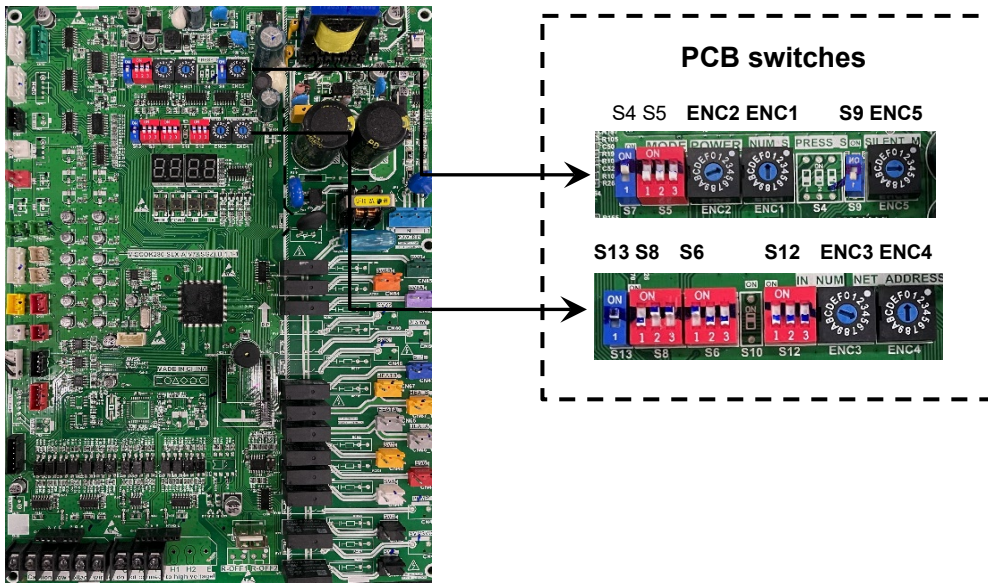


Table 4-1.1: Outdoor unit main PCB switch settings






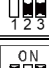
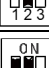




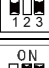
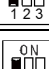
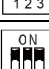


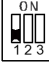


















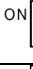
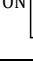








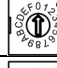


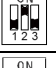


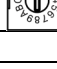
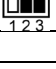

Switch	Setting	Switch positions ¹	Description
 S4	Static pressure		External Static Pressure is 0Pa (default)
			External Static Pressure is 20Pa (customize)
			External Static Pressure is 40Pa (customize)
			External Static Pressure is 60Pa (customize)
			External Static Pressure is 80Pa (customize)
			External Static Pressure is 100Pa (customize)
			External Static Pressure is 120Pa (customize)
 S5	Priority mode ²		Auto priority (default)
			Cooling priority
			VIP priority or voting priority
			Heating only
			Cooling only
			Set priority mode via centralized controller
 S6-1	Reserved		Reserved

Table continued on next page ...

Table 4-1.1: Outdoor unit main PCB switch settings (continued)

Switch	Setting	Switch positions ¹	Description
S6-2 	Clear indoor unit addresses		No action (default)
			Clear indoor unit addresses
S6-3 	Addressing mode		Auto addressing (default)
			Manual addressing
S8-1 	Reserved		Reserved
S8-2 	Start-up time		Start-up time is 12 minutes (default)
			Start-up time is 7 minutes
S8-3 	Reserved		Reserved
S7 	Reserved		Reserved
S9 	Reserved		Reserved
S13 	Centralized controller		Use the new centralized controller (default)
			Use the old centralized controller
ENC2 	Outdoor unit capacity ³		Only 0, 1, 2, 3, 4, 5, 6, 7, 8, 9, A, B, C should be selected 0: 8HP; 1: 10HP; 2: 12HP; 3: 14HP; 4: 16HP; 5: 18HP; 6: 20HP; 7: 22HP; 8: 24HP; 9: 26HP; A: 28HP; B:30HP; C:32HP
ENC4 	Network address		Only 0, 1, 2, 3, 4, 5, 6, 7 should be selected (default is 0)
ENC3  S12 	Number of indoor units	 	The number of indoor units is in the range 0-15 0-9 on ENC3 indicate 0-9 indoor units; A-F on ENC3 indicate 10-15 indoor units
		 	The number of indoor units is in the range 16-31 0-9 on ENC3 indicate 16-25 indoor units; A-F on ENC3 indicate 26-31 indoor units
		 	The number of indoor units is in the range 32-47 0-9 on ENC3 indicate 32-41 indoor units; A-F on ENC3 indicate 42-47 indoor units
		 	The number of indoor units is in the range 48-63 0-9 on ENC3 indicate 48-57 indoor units; A-F on ENC3 indicate 58-63 indoor units
		 	The number of indoor units is 64 0 on ENC3 indicate 64 indoor units
ENC5 	Silent mode ⁴	0	Night silent time is 6h/10h (default)
		1	Night silent time is 6h/12h
		2	Night silent time is 8h/10h
		3	Night silent time is 8h/12h
		4	No silent mode
		5	Silent mode 1 (only limit max. fan speed)
		6	Silent mode 2 (only limit max. fan speed)
		7	Silent mode 3 (only limit max. fan speed)
		8	Super silent mode 1 (limit max. fan speed and compressor frequency)
		9	Super silent mode 2 (limit max. fan speed and compressor frequency)
		A	Super silent mode 3 (limit max. fan speed and compressor frequency)
B	Super silent mode 4 (limit max. fan speed and compressor frequency)		
F	Set silent mode via centralized controller		

Notes:

1. Black denotes the switch position.
2. Refer to Part 4, 1.2.1 "Priority mode setting".
3. Switch ENC2 is factory-set and its setting should not be changed.
4. Refer to Part 4, 1.2.2 "Silent mode setting".

1.2 Modes Set on Main PCB

1.2.1 Priority mode setting

Priority mode can only be set on the master unit. When an indoor unit is in mode conflict with the outdoor units the unit displays the mode conflict error. The digital display on indoor main PCB will display error code E0.

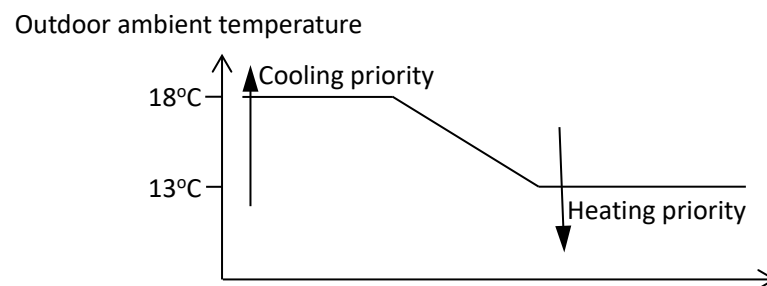
Figure 4-1.2: Indoor unit digital displays



There are five priority mode options:

1. **Auto priority mode (default):** In auto priority mode, the outdoor unit will operate in heating priority mode or cooling priority mode according to the outdoor ambient temperature.
 - a) When the outdoor ambient temperature is below 13°C, the outdoor units run in heating priority mode. The heating priority mode does not change until the outdoor ambient temperature is above 18°C.
 - b) When the outdoor ambient temperature is above 18°C, the outdoor units run in cooling priority mode. The cooling priority mode does not change until the outdoor ambient temperature is below 13°C.
 - c) When the outdoor unit restarts under the outdoor ambient between 13°C and 18°C, the outdoor unit runs the same priority as before the last stop.
 - d) When the outdoor unit is initial startup under outdoor ambient temperature between 13°C and 18°C, the outdoor unit runs in heating priority mode.

Figure 4-1.3: Auto priority mode control



1.1. Heating priority mode:

- a) **During cooling operation:** If an indoor unit requests heating, the outdoor unit stops and then restarts in heating mode after 5 minutes. Indoor units requesting heating then start in heating mode and indoor units requesting cooling display the mode conflict error.
- b) **During heating operation:** If an indoor unit requests cooling, the outdoor unit ignores the request and continues to run in heating mode. The indoor unit requesting cooling displays the mode conflict error. If all the indoor units requesting heating are later turned off and one or more indoor units are still requesting cooling, the outdoor unit restarts in cooling mode after 5 minutes and any indoor units requesting cooling then start in cooling mode.

1.2. Cooling priority mode:

- a) **During heating operation:** If an indoor unit requests cooling, the outdoor unit stops and then restarts in cooling mode after 5 minutes. Indoor units requesting cooling then start in cooling mode and indoor units requesting heating display the mode conflict error.
 - b) **During cooling operation:** If an indoor unit requests heating, the outdoor units ignore the request and continue to run in cooling mode. The indoor unit requesting heating displays the mode conflict error. If all the indoor units requesting cooling are later turned off and one or more indoor units are still requesting heating, the outdoor unit restarts in heating mode after 5 minutes and any indoor units requesting heating then start in heating mode.
2. **Cooling priority mode:** refer to above "1.2. Cooling priority mode" descriptions.

3. **VIP priority mode or voting priority mode:** The default VIP address is 63, and the VIP address also can be changed through menu mode, refer to Part 5, 2.2.3 “Menu mode” Table 5-2.3 “nb8”. If the VIP indoor unit is operating, the outdoor unit operates in the mode of the VIP indoor unit. Indoor units that are in a mode different to that of the VIP unit display the mode conflict error. If there is no unit with VIP address or the VIP unit is in standby, the outdoor unit operates in voting priority mode. In voting priority mode, the outdoor unit operates in whichever of heating and cooling modes is being requested by the larger number of indoor units.
4. **Heating only mode:** The outdoor unit only operates in heating mode. Indoor units requesting heating operate in heating mode. Indoor units requesting cooling or in fan only mode display the mode conflict error.
5. **Cooling only mode:** The outdoor unit only operates in cooling mode. Indoor units requesting cooling operate in cooling mode; indoor units in fan only mode operate in fan only mode. Indoor units requesting heating display the mode conflict error.

1.2.2 Silent time setting

1.2.2.1 Night silent time setting

Night silent mode is activated X hours after the peak daytime temperature, and is deactivated after Y hours, where X and Y are as specified in Table 4-1.2.

Table 4-1.2: Night silent time setting


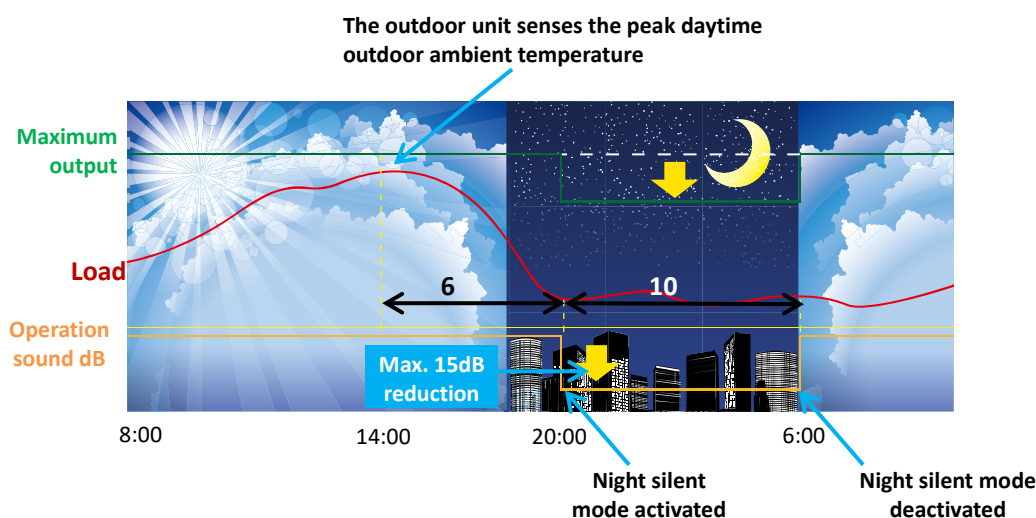
Switch	Switch positions	Description	X	Y
 ENC5	0	Night silent time is 6h/10h (default)	6	10
	1	Night silent time is 6h/12h	6	12
	2	Night silent time is 8h/10h	8	10
	3	Night silent time is 8h/12h	8	12


Figure 4-1.4: Night silent mode example (default setting, 6h/10h)



1.2.2.2 Silent mode setting

In silent mode 1 / 2 / 3 and night silent mode, the outdoor fan speed decreases gradually. In super silent mode 1 / 2 / 3 / 4, not only the fan speed decreases gradually, but also the compressor frequency decreases gradually.

Table 4-1.3: Silent mode setting

Switch	Switch positions	Description
 ENC5	5	Silent mode 1 (only limit max. fan speed)
	6	Silent mode 2 (only limit max. fan speed)
	7	Silent mode 3 (only limit max. fan speed)
	8	Super silent mode 1 (limit max. fan speed and compressor frequency)
	9	Super silent mode 2 (limit max. fan speed and compressor frequency)
	A	Super silent mode 3 (limit max. fan speed and compressor frequency)
	B	Super silent mode 4 (limit max. fan speed and compressor frequency)

1.2.2.3 Maximum fan speed and capacity output control in different silent mode

Table 4-1.4: Maximum fan speed and capacity output control in different silent modes

ENC5 Switch positions	Description	Max. fan speed index ¹						Max. capacity output
		8-10HP	12HP	14-18HP	20-22HP	24-26HP	28-32HP	
0	Night silent time is 6h/10h (default)	28	28	28	22	28	28	100%
1	Night silent time is 6h/12h							
2	Night silent time is 8h/10h							
3	Night silent time is 8h/12h							
4	No silent mode	30	31	30	30	30	31	
5	Silent mode 1	28	28	28	27	28	28	
6	Silent mode 2	26	26	26	25	26	26	
7	Silent mode 3	24	24	24	23	24	24	
8	Super silent mode 1	28	28	28	22	28	28	80%
9	Super silent mode 2	27	27	27	21	27	27	70%
A	Super silent mode 3	26	26	26	20	26	26	60%
B	Super silent mode 4	25	25	25	19	25	25	50%

Notes:

1. Fan speed (rpm) for different fan speed index refers to Table 3-5.3 in Part 3, 5.6 "Outdoor Fan Control".
2. If the system pressure is over 3.5MPa, the system exits silent mode automatically.

Part 5

Electrical Components and Wiring Diagrams

1	Outdoor Unit Electric Control Box Layout.....	60
2	Outdoor Unit Main PCB	62
3	Compressor Inverter Module	69
4	Wiring Diagrams	70

1 Outdoor Unit Electric Control Box Layout

8-18HP

Figure 5-1.1: 8-18HP top layer of electric control box

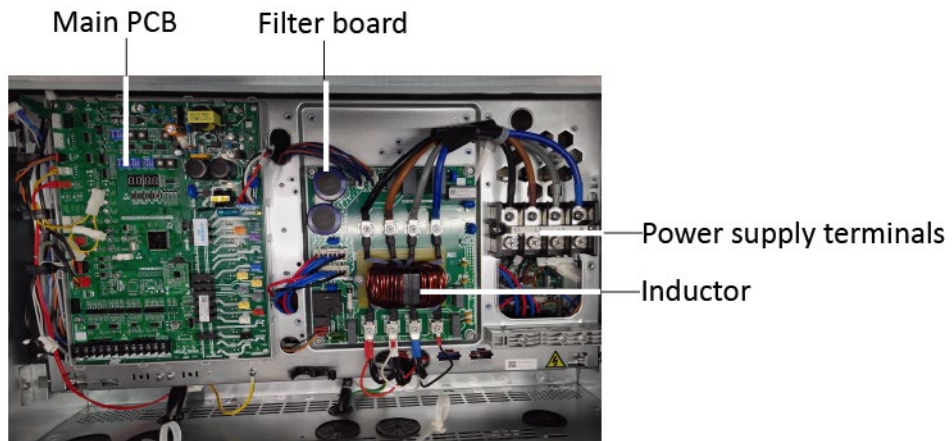


Figure 5-1.2: 8-18HP bottom layer of electric control box

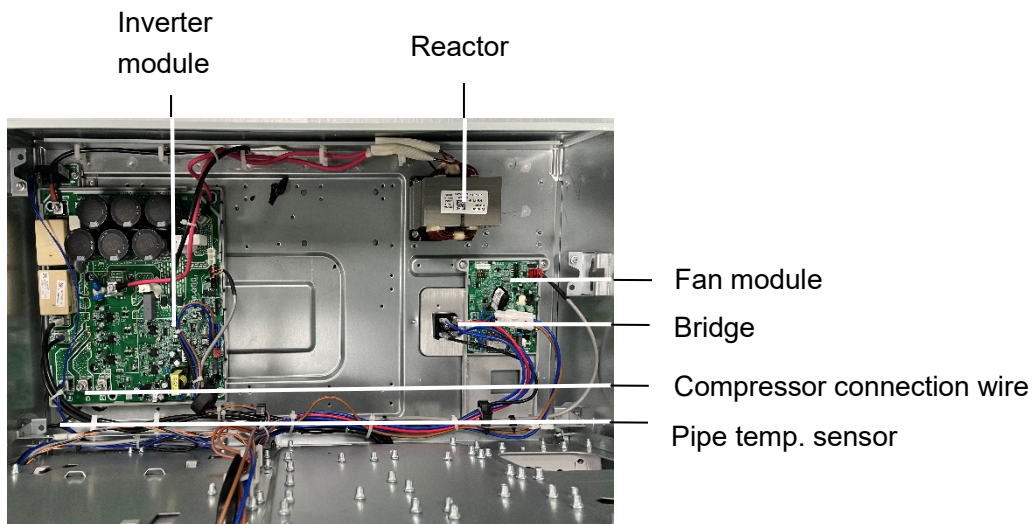


Figure 5-1.3: 20-32HP top layer of electric control box

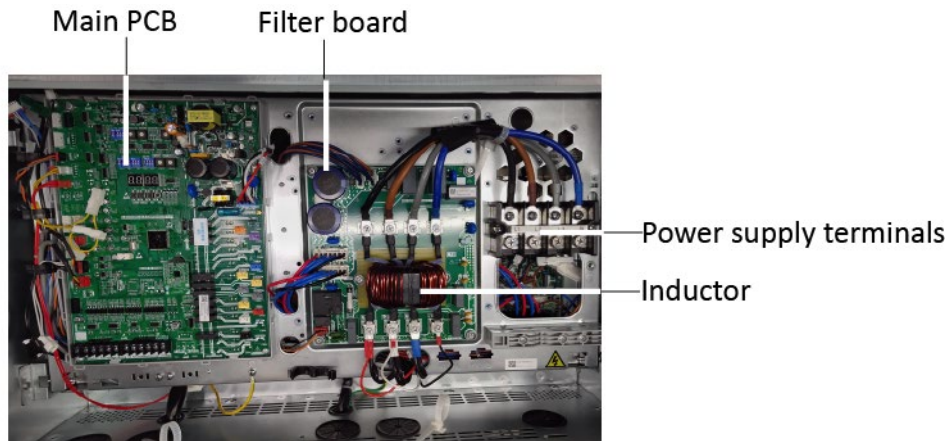
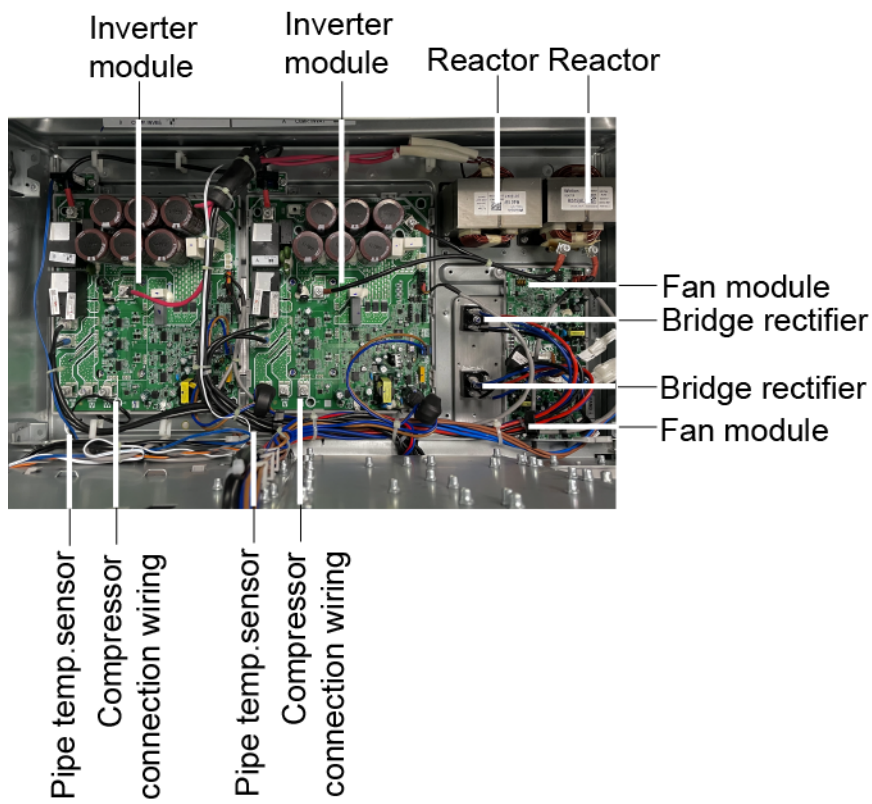


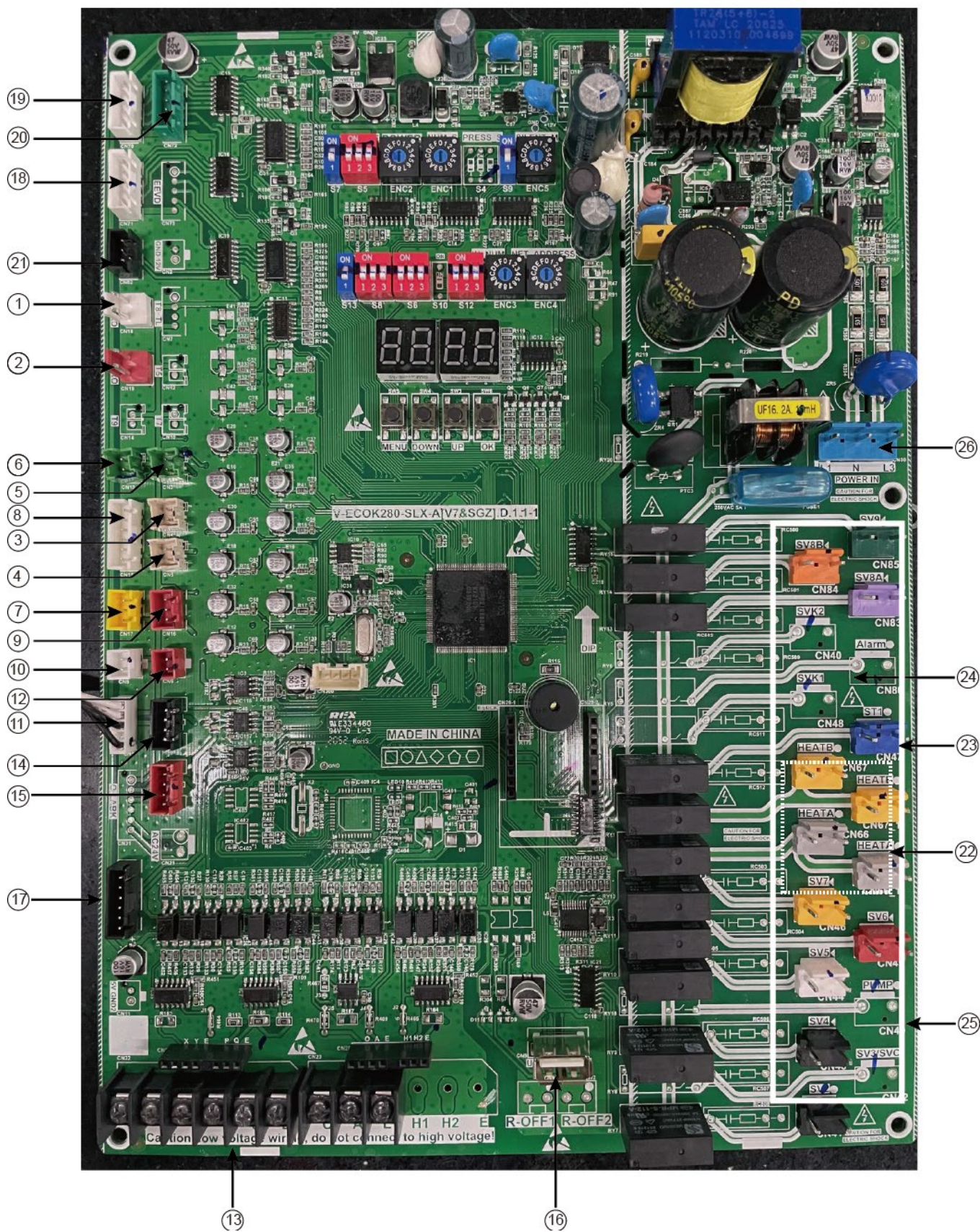
Figure 5-1.4: 20-32HP bottom layer of electric control box



2 Outdoor Unit Main PCB

2.1 Ports

Figure 5-2.1: Outdoor unit main PCB ports¹



Notes:

1. Label descriptions are given in Table 5-2.1.

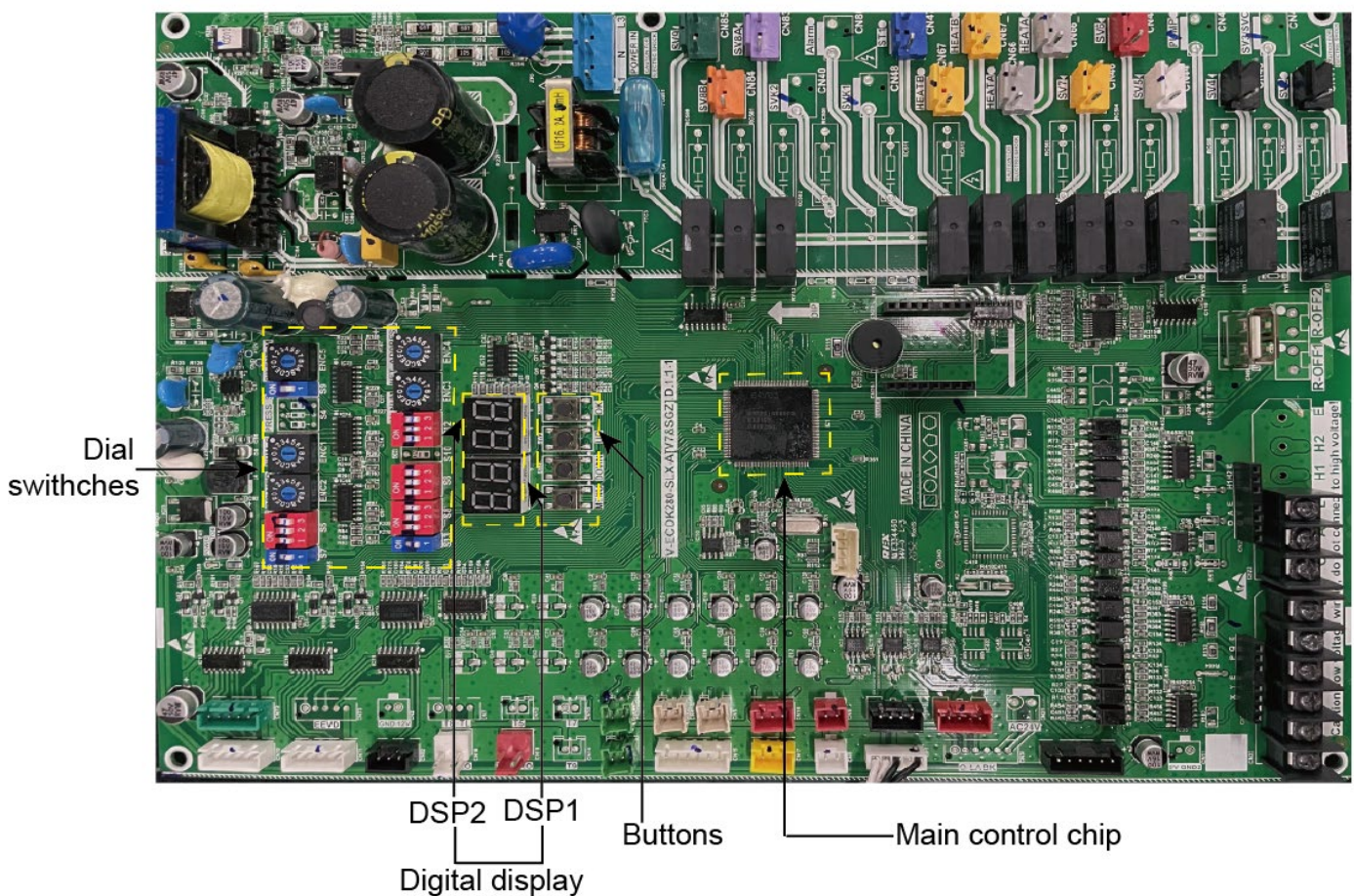
Table 5-2.1: Main PCB ports

Label in Figure 5-2.1	Port code	Content	Port voltage
1	CN18	High pressure switch and discharge temperature switch(es) connections	0V or 5V DC
2	CN19	Low pressure switch connection	0V or 5V DC
3	CN4	Compressor top temperature sensor (single compressor units) or compressor A compressor top temperature sensor (dual compressor units) connection	0-5V DC (varying)
4	CN5	Discharge pipe temperature sensor (single compressor units) or compressor B compressor top temperature sensor (dual compressor units) connection	0-5V DC (varying)
5	CN3	Inverter module temperature sensor A connection	0-5V DC (varying)
6	CN13	Inverter module temperature sensor B connection	0-5V DC (varying)
7	CN17	High pressure sensor connection	0-5V DC (varying)
8	CN15	Inverter compressor A and B current sensor connections	0-7.8V AC (varying)
9	CN16	Reserved	/
10	CN8	Plate heat exchanger inlet temperature sensor connection	0-5V DC (varying)
11	CN1	Outdoor ambient temperature sensor and outdoor heat exchanger temperature sensor connections	0-5V DC (varying)
12	CN6	Plate heat exchanger outlet temperature sensor connection	0-5V DC (varying)
13	CN22-CN23	Communication port	2.5-2.7V DC
14	CN26	Communication port to compressor drive board	2.5-2.7V DC
15	CN27	Communication port to fan drive board	2.5-2.7V DC
16	CN9	USB port	2.5-2.7V DC
17	CN28	Reserved	/
18	CN71	EEVB drive port	0V or 12V DC
19	CN70	EEVA drive port	0V or 12V DC
20	CN72	EEVC drive port	0V or 12V DC
21	CN82	Control port of relay for AC filter board	0V or 12V DC
22	CN66-CN67	Power supply to compressor crankcase heater	220V AC
23	CN47	Four-way valve drive ports	220V AC
24	CN80	Alarm signal output port (reserved)	220V AC
25	CN41-CN46; CN83-CN85	Solenoid valve drive ports	220V AC
26	CN30	Power input of main board	220V AC between A/B/C and N; 380V AC between A,B and C

2.2 Components

2.2.1 Layout

Figure 5-2.2: Outdoor unit main PCB components



2.2.2 Function of buttons SW3 to SW6

Table 5-2.2: Function of buttons SW3 to SW6

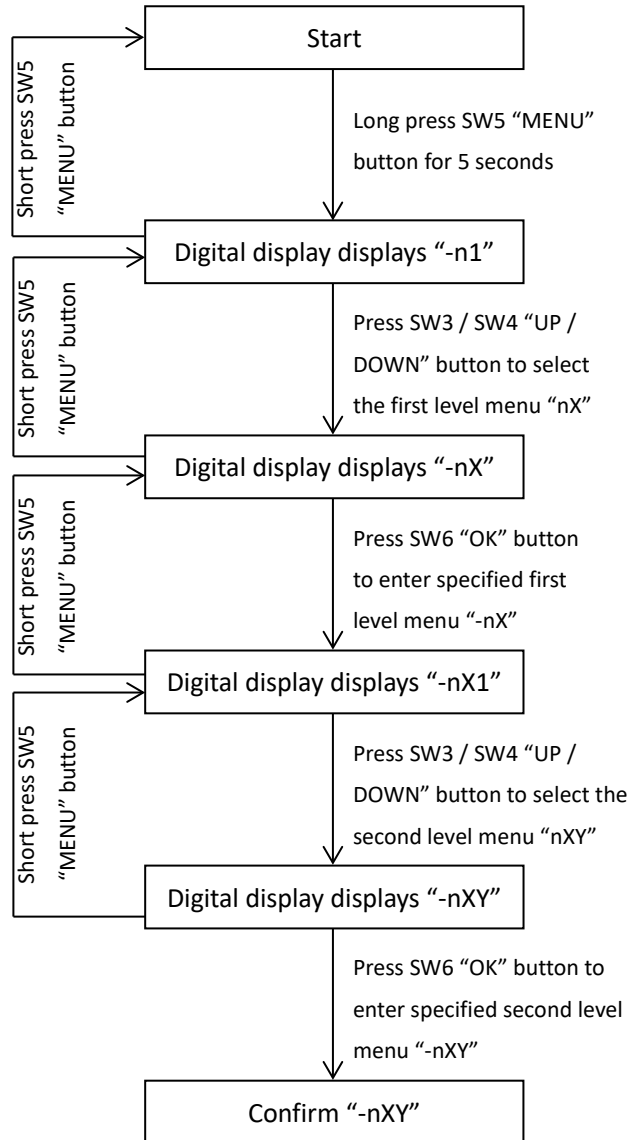
Button	Function
SW3 (UP)	In menu mode: previous and next buttons for menu modes.
SW4 (DOWN)	Not in menu mode: previous and next buttons for system check information.
SW5 (MENU)	Enter / exit menu mode.
SW6 (OK)	Confirm to enter specified menu mode.



2.2.3 Menu mode

1. Long press SW5 "MENU" button for 5 seconds to enter menu mode, and the digital display displays "n1";
2. Press SW3 / SW4 "UP / DOWN" button to select the first level menu "n1", "n2", "n3", "n4" or "nb";
3. Press SW6 "OK" button to enter specified first level menu, for example, enter "n4" mode;
4. Press SW3 / SW4 "UP / DOWN" button to select the second level menu from "n41" to "n47";
5. Press SW6 "OK" button to enter specified second level menu, for example, enter "n43" mode;

Menu mode selection flowchart:



Menu mode function:

Table 5-2.3: Menu mode function

Digital display content	Menu mode	Remarks
n14	Debug mode 1	All indoor units running in cooling mode
n15	Debug mode 2	If all indoor units in the system are the 2nd generation indoor units, all the indoor units will run in heating mode. Once there is one or more old indoor unit in the system, all the indoor units will run in forced cooling mode
n16	Maintenance mode	The system does not check the indoor units' number.
n24	Reserved	
n25	Reserved	
n26	Backup run	Only available for outdoor unit with two compressors. If one of the two compressors fails, the other compressor will keep running for up to 4 days and then stop automatically.
n27	Vacuum mode	It is only used in maintenance process. The digital display displays "R006", and all solenoid valves are opened and EXVs are opened to the maximum steps.
n31	History error codes	Displays recent 10 history error codes
n32	Cleaning history error codes	
n33	Reserved	
n34	Factory reset	
n41	Power limitation mode 1	100% capacity output
n42	Power limitation mode 2	90% capacity output
n43	Power limitation mode 3	80% capacity output
n44	Power limitation mode 4	70% capacity output
n45	Power limitation mode 5	60% capacity output
n46	Power limitation mode 6	50% capacity output
n47	Power limitation mode 7	40% capacity output
nb1	Fahrenheit degree setting (°F)	
nb2	Celsius degree setting (°C)	
nb3	Exit auto power save mode (META function) ¹	
nb4	Enter auto power save mode (META function) ¹	
nb5	Auto snow-blowing mode 1 (customized)	According to outdoor ambient temperature (T4), the outdoor fan(s) periodically stop for 15 minutes and run for 2 minute
nb6	Auto snow-blowing mode 2 (customized)	According to outdoor ambient temperature (T4), the outdoor fan(s) periodically stop for 30 minutes and run for 2 minute
nb7	Exit auto snow-blowing mode	
nb8	VIP address setting	The digital display will display "IdXX", "XX" stands for VIP address, use UP / DOWN button to change the VIP address and press OK button to confirm the specified VIP address.
nF1	Reserved	
nF2	Reserved	

Notes:

1. Auto power save mode means META mode, the evaporating temperature (in cooling) and condensing temperature (in heating) are automatically adjusted according to both indoor and outdoor temperature to maximize the comfort and energy efficiency. Exit auto power save mode, the evaporating temperature (in cooling) and condensing temperature (in heating) are fixed.

How to exit specified menu mode:

Table 5-2.4: Exit specified menu mode method:

Menu mode	Manual exit method	Automatic exit method	System restart
Debug mode 1 (2)	Long press SW6 "OK" button when the digital display is not in menu selection state	After running 120 minutes	Invalid
Maintenance mode	/	After running 60 minutes	Invalid
Backup run	/	After running 4 days or both two compressors failed	Invalid
Vacuum mode	Long press SW6 "OK" button when the digital display is not in menu selection state	After running 8 hours	Invalid
Power limitation mode	Select power limitation mode 1 "n41"	/	Valid
Auto power save mode (META function)	Select "nb3"	/	Valid
Auto snow-blowing mode 1 (2)	Select "nb7"	/	Valid
VIP address setting	/	/	Valid
°F / °C setting	/	/	Valid

2.2.4 UP / DOWN system check button

Before pressing UP or DOWN button, make sure that the system has been operating steadily for more than one hour. On pressing UP or DOWN button, the parameters listed in Table 5-2.5 will be displayed in sequence.

Table 5-2.5: System check

DSP1 content	Parameters displayed on DSP2	Remarks
0.--	Unit address	For V6 Individual outdoor unit: 0
1.--	Unit capacity	Refer to Note 1
2.--	Number of outdoor units	For V6 Individual outdoor unit: 1
3.--	Number of indoor units as set on PCB	
4.--	The capacity of outdoor unit	
5.--	Total capacity requirement of indoor units	
6.--	Total corrected capacity requirement of indoor units	
7.--	Operating mode	Refer to Note 2
8.--	Outdoor unit actual operating capacity	
9.--	Fan A speed index	Refer to Note 3
10.--	Fan B speed index	Refer to Note 3
11.--	Indoor heat exchanger pipe (T2/T2B) temperature (°C)	Actual value = value displayed
12.--	Main heat exchanger pipe (T3) temperature (°C)	Actual value = value displayed
13.--	Outdoor ambient (T4) temperature (°C)	Actual value = value displayed
14.--	Plate heat exchanger cooling refrigerant inlet (T6A) temperature (°C)	Actual value = value displayed
15.--	Plate heat exchanger cooling refrigerant outlet (T6B) temperature (°C)	Actual value = value displayed
16.--	Inverter compressor A discharge temperature (°C)	Actual value = value displayed
17.--	Inverter compressor B discharge temperature (°C)	Actual value = value displayed
18.--	Inverter module A heatsink temperature (°C)	Actual value = value displayed
19.--	Inverter module B heatsink temperature (°C)	Actual value = value displayed
20.--	Plate heat exchanger cooling refrigerant outlet temperature minus inlet temperature (°C)	Actual value = value displayed
21.--	Discharge superheat degree (°C)	Actual value = value displayed
22.--	Inverter compressor A current (A)	Actual value = value displayed
23.--	Inverter compressor B current (A)	Actual value = value displayed
24.--	EXVA position	Refer to Note 4
25.--	EXVB position	Refer to Note 4
26.--	EXVC position	Refer to Note 4
27.--	Compressor discharge pressure (MPa)	Actual value = value displayed × 0.1
28.--	Reserved	
29.--	Number of indoor units currently in communication with the outdoor unit	Actual value = value displayed
30.--	Number of indoor units currently operating	
31.--	Priority mode	Refer to Note 5
32.--	Silent mode	Refer to Note 6
33.--	Static pressure mode	Refer to Note 7

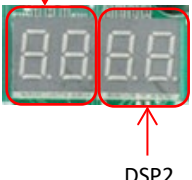
Table continued on next page ...

Table 5-2.5: System check (continued)

DSP1 content	Parameters displayed on DSP2	Remarks
34.--	Reserved	
35.--	Reserved	
36.--	DC voltage A	Actual value = value displayed × 10
37.--	DC voltage B	Actual value = value displayed × 10
38.--	Reserved	
39.--	Address of VIP indoor unit	
40.--	Reserved	
41.--	Reserved	
42.--	Refrigerant quantity	Refer to Note 8
43.--	Outdoor unit program version	
44.--	Dust-clean function/auto power save mode (META function)/Power limitation mode	Refer to Note 9
45.--	Most recent error or protection code	"--" is displayed if no error or protection events have occurred since start-up
-- --	--	End

Notes:

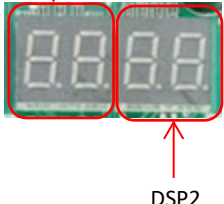
- Outdoor unit capacity setting:
 - 0: 8HP; 1: 10HP; 2: 12HP; 3: 14HP; 4: 16HP; 5: 18HP; 6: 20HP; 7: 22HP; 8: 24HP; 9: 26HP; A: 28HP; B: 30HP; C: 32HP.
- Operating mode:
 - 0: off; 2: cooling; 3: heating; 4: forced cooling.
- The fan speed index is related to the fan speed in rpm and can take any integer value in the range 1 (slowest) to 35 (fastest).
- 480P: steps = value displayed × 4; 3000P: steps = value displayed × 24.
- Priority mode:
 - 0: auto priority; 1: cooling priority; 2: VIP priority or voting priority; 3: heating only; 4: cooling only.
- Silent mode:
 - 0: night silent time 6h/10h; 1: night silent time 6h/12h; 2: night silent time 8h/10h; 3: night silent time 8h/12h; 4: no silent mode; 5: silent mode 1; 6: silent mode 2; 7: silent mode 3; 8: super silent mode 1; 9: super silent mode 2; 10: super silent mode 3; 11: super silent mode 4.
- Static pressure mode:
 - 0: standard static pressure; 1: low static pressure; 2: medium static pressure; 3: high static pressure; 4: super high static pressure.
- Refrigerant quantity:
 - 0: normal; 1: slightly excessive; 2: significantly excessive; 3: slightly insufficient; 4: significantly insufficient; 5: critically insufficient.
- Dust-clean function/auto power save mode (META function)/Power limitation mode:

DSP1	First digital display on DSP2	Second digital display on DSP2
	No display: Dust-clean function is not activated; auto power save mode (META function) is not activated 1: Dust-clean function is not activated; auto power save mode (META function) is activated 2: Dust-clean function is activated; auto power save mode (META function) is not activated 3: Dust-clean function is activated; auto power save mode (META function) is activated *Dust-clean function is available as a customization option.	0: 100% capacity output 1: 90% capacity output 2: 80% capacity output 3: 70% capacity output 4: 60% capacity output 5: 50% capacity output 6: 40% capacity output

2.2.5 Digital display output

Table 5-2.6: Digital display output in different operating states

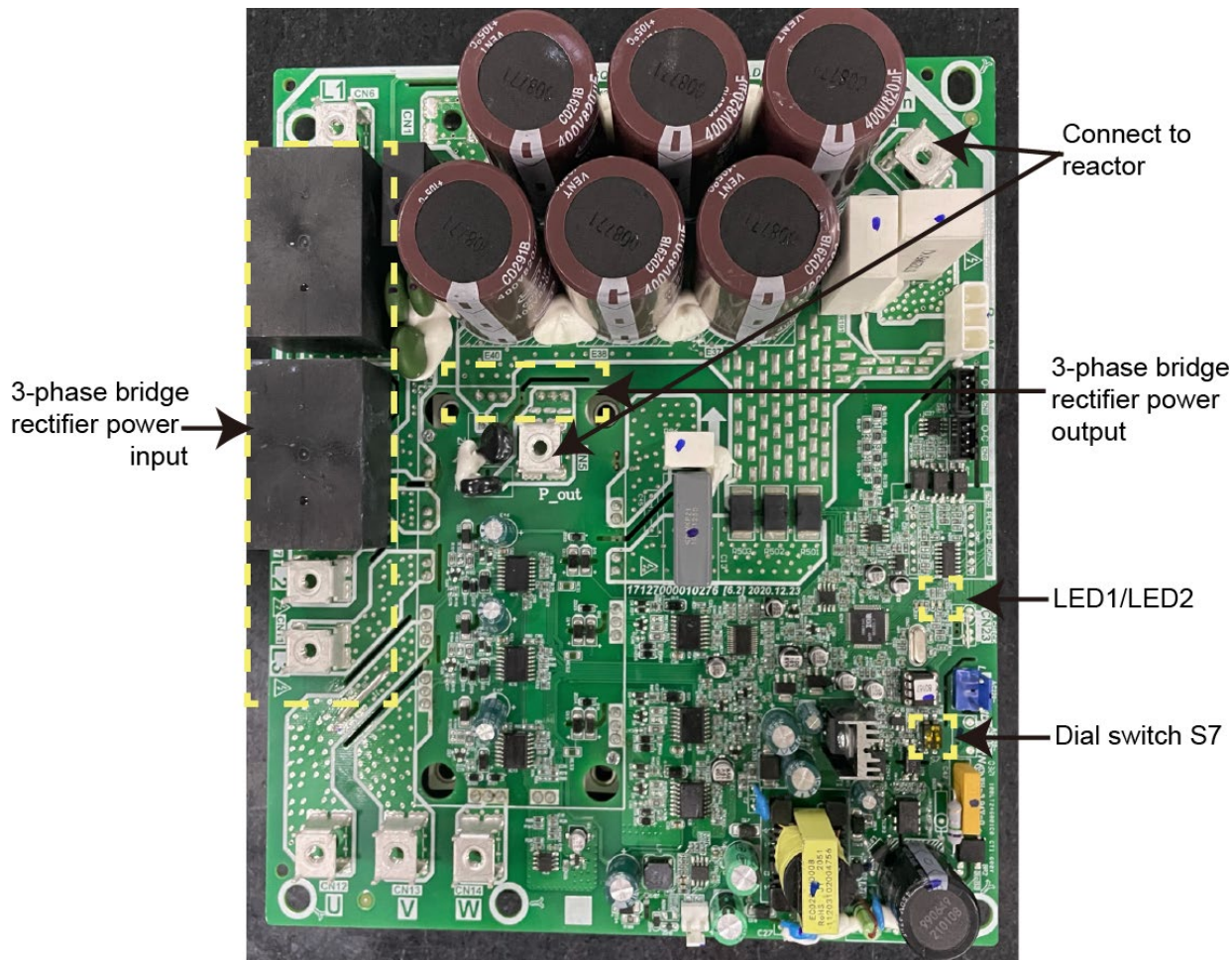
Outdoor unit state		Parameters displayed on DSP1	Parameters displayed on DSP2
Standby		Unit's address	The number of indoor units in communication with the outdoor unit
Normal operation	For single compressor units	--	Running speed of the compressor in rotations per second
	For dual compressor units	Running speed of compressor B in rotations per second	Running speed of compressor A in rotations per second
Error or protection		-- or placeholder	Error or protection code
In menu mode		Refer to Table 5-2.3	Refer to Table 5-2.3
System check		Refer to Table 5-2.5	Refer to Table 5-2.5



3 Compressor Inverter Module

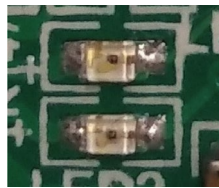
3.1.1 Layout

Figure 5-3.1: Compressor inverter module components



3.1.2 LED indicators LED1 and LED2

Table 5-3.1: LED indicators LED1 and LED2



Indicator	LED indicator function and status	
LED 1	Inverter module operating indicator. Continuously on if the compressor is running normally and flashing if an inverter module error has occurred ¹ .	
LED 2	Inverter module error indicator. Continuously on if an inverter module error has occurred ¹ .	

Note:

1. If an inverter module error occurs, refer to Part 6, “Xh4 Troubleshooting”. The error code is displayed on the digital display.

3.1.3 Dial switch S7 setting

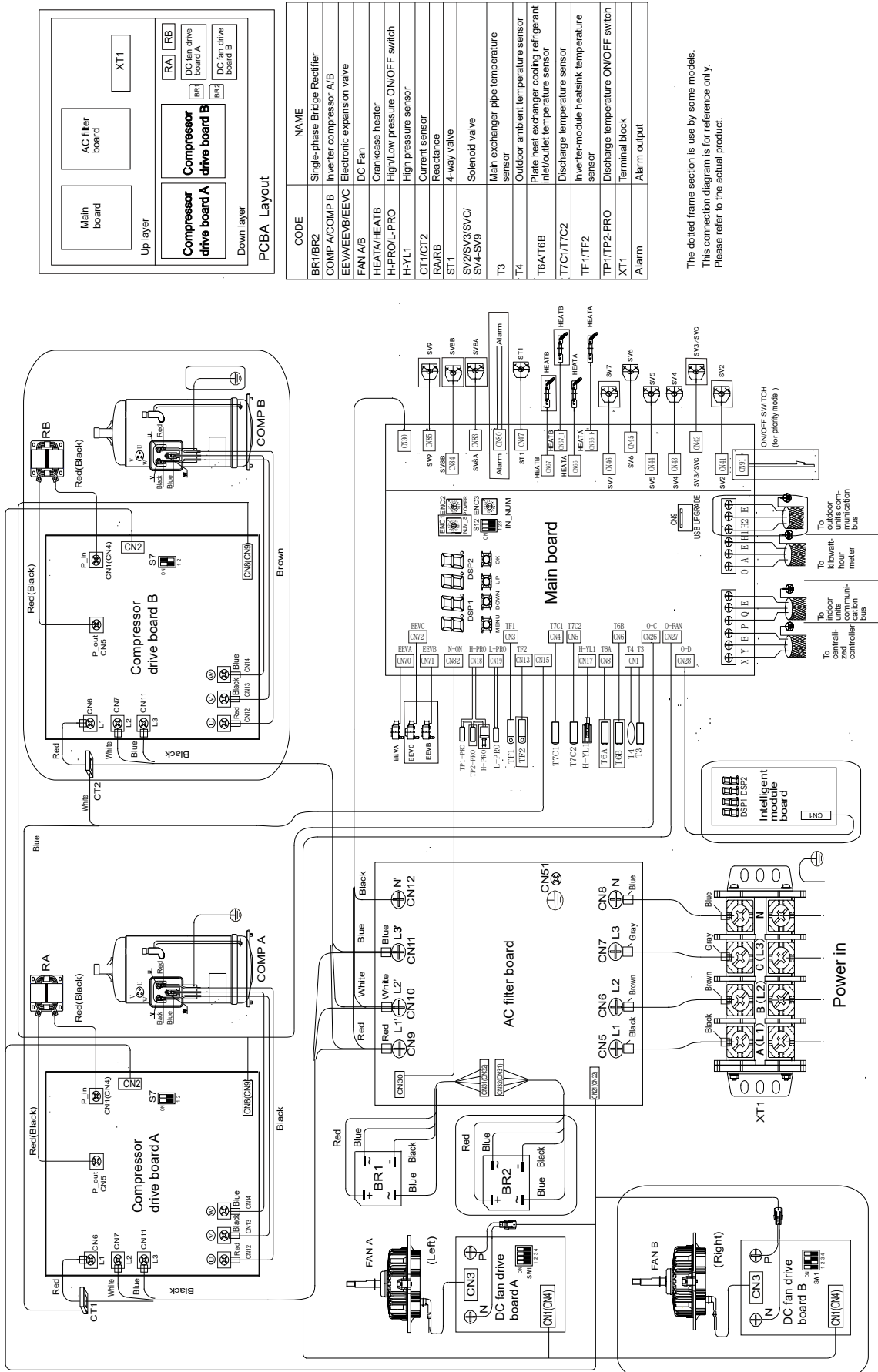
Dial switch S7 is used to set compressor inverter module A/B address. The compressor inverter module A/B location refers to the wiring diagram.

S7 on inverter module	Inverter module address
	0 for compressor inverter module A
	1 for compressor inverter module B

4 Wiring Diagrams

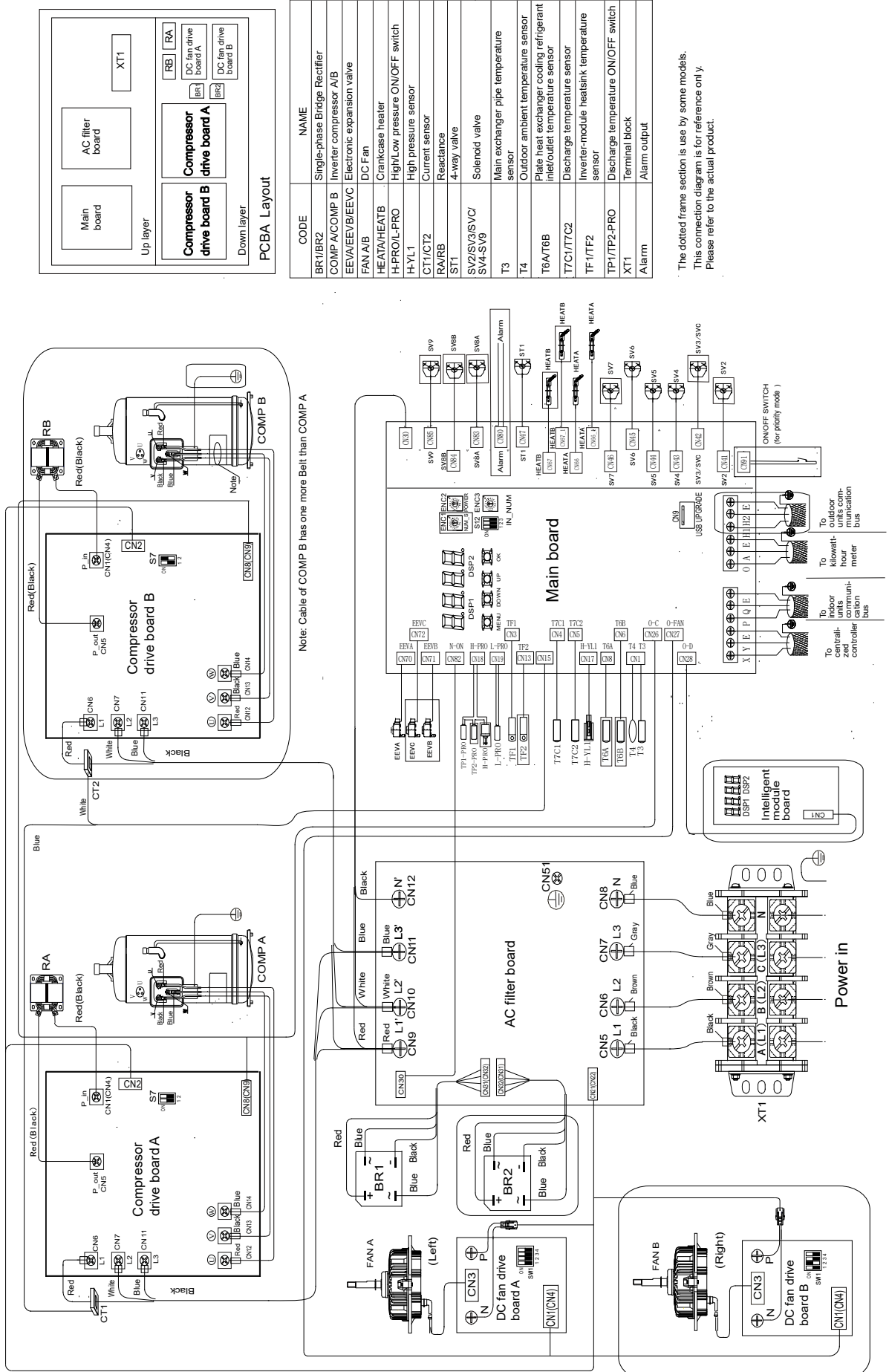
8-28HP

Figure 5-4.1: 8-28HP wiring diagram



30-32HP

Figure 5-4.2: 30-32HP wiring diagram



Part 6

Diagnosis and Troubleshooting

1	Error Code Table	73
2	Troubleshooting	74
3	Appendix to Part 6.....	126

1 Error Code Table

Table 6-1.1: Error code table

Error code ¹	Content	Remarks	Manual re-start required ²
E2	Communication error between indoor and outdoor units	Displayed on the unit with the error	No
E4	Outdoor heat exchanger temperature sensor (T3) error or outdoor ambient temperature sensor (T4) error	Displayed on the unit with the error	No
E5	Abnormal power supply voltage	Displayed on the unit with the error	No
E7	Compressor top or discharge pipe temperature sensor (T7C1/2) error	Displayed on the unit with the error	Yes
E8	Outdoor unit address error	Displayed on the unit with the error	Yes
xE9	EEPROM mismatch	Displayed on the unit with the error	Yes
xF1	DC bus voltage error	Displayed on the unit with the error	No
F3	Plate heat exchanger cooling refrigerant outlet temperature sensor (T6B) error	Displayed on the unit with the error	No
F5	Plate heat exchanger cooling refrigerant inlet temperature sensor (T6A) error	Displayed on the unit with the error	No
xF6	Electronic expansion valve connection error	Displayed on the unit with the error Refer to Note 3	Yes
xH0	Communication error between main control chip and inverter driver chip	Displayed on the unit with the error	No
xH4	Inverter module protection	Displayed on the unit with the error	Yes
H5	P2 protection appears three times in 60 minutes	Displayed on the unit with the error	Yes
H6	P4 protection appears three times in 100 minutes	Displayed on the unit with the error	Yes
H7	Number of indoor units detected by outdoor unit not same as number set on main PCB	Displayed on the unit with the error	No
H8	High pressure sensor error	Displayed on the unit with the error	No
H9	P9 protection appears ten times in 120 minutes	Displayed on the unit with the error	Yes
C7	PL protection appears three times in 100 minutes	Displayed on the unit with the error	Yes
P1	Discharge pipe high pressure protection	Displayed on the unit with the error	No
P2	Suction pipe low pressure protection	Displayed on the unit with the error	No
xP3	Compressor current protection	Displayed on the unit with the error	No
P4	Discharge temperature protection	Displayed on the unit with the error	No
P5	Outdoor heat exchanger temperature protection	Displayed on the unit with the error	No
P9	Fan module protection	Displayed on the unit with the error	No

Table continued on next page ...

Table 6-1.1: Error code table (continued)

Error code ¹	Content	Remarks	Manual re-start required ²
PL	Inverter module temperature protection	Displayed on the unit with the error	No
PP	Compressor discharge insufficient superheat protection	Displayed on the unit with the error	No
xL0	Inverter module protection	Displayed on the unit with the error	Yes
xL1	DC bus low voltage protection	Displayed on the unit with the error	Yes
xL2	DC bus high voltage protection	Displayed on the unit with the error	Yes
xL4	MCE error	Displayed on the unit with the error	Yes
xL5	Zero speed protection	Displayed on the unit with the error	Yes
xL7	Phase sequence error	Displayed on the unit with the error	Yes
xL8	Compressor frequency variation greater than 15Hz within one second protection	Displayed on the unit with the error	Yes
xL9	Actual compressor frequency differs from target frequency by more than 15Hz protection	Displayed on the unit with the error	Yes

Notes:

- 'x' is a placeholder for the compressor system (compressor and related electrical components), with 1 representing compressor system A and 2 representing compressor system B. 'y' is a placeholder for the address (1 or 2) of the slave unit with the error.
- For some error codes, a manual restart is required before the system can resume operation.
- Once the EXV has been connected properly, the error code will flash to indicate that the connection has been re-established. A manual restart is then required before the system can resume operation.

2 Troubleshooting

2.1 Warning

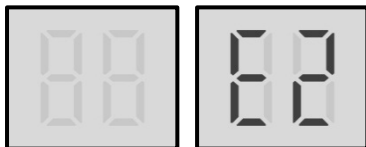
Warning



- All electrical work must be carried out by competent and suitably qualified, certified and accredited professionals and in accordance with all applicable legislation (all national, local and other laws, standards, codes, rules, regulations and other legislation that apply in a given situation).
- Power-off the outdoor units before connecting or disconnecting any connections or wiring, otherwise electric shock (which can cause physical injury or death) may occur or damage to components may occur.

2.2 E2: Communication error between indoor and outdoor unit

2.2.1 Digital display output



2.2.2 Description

- Communication error between indoor and outdoor unit.
- All units stop running.
- Error code is only displayed on the outdoor unit.

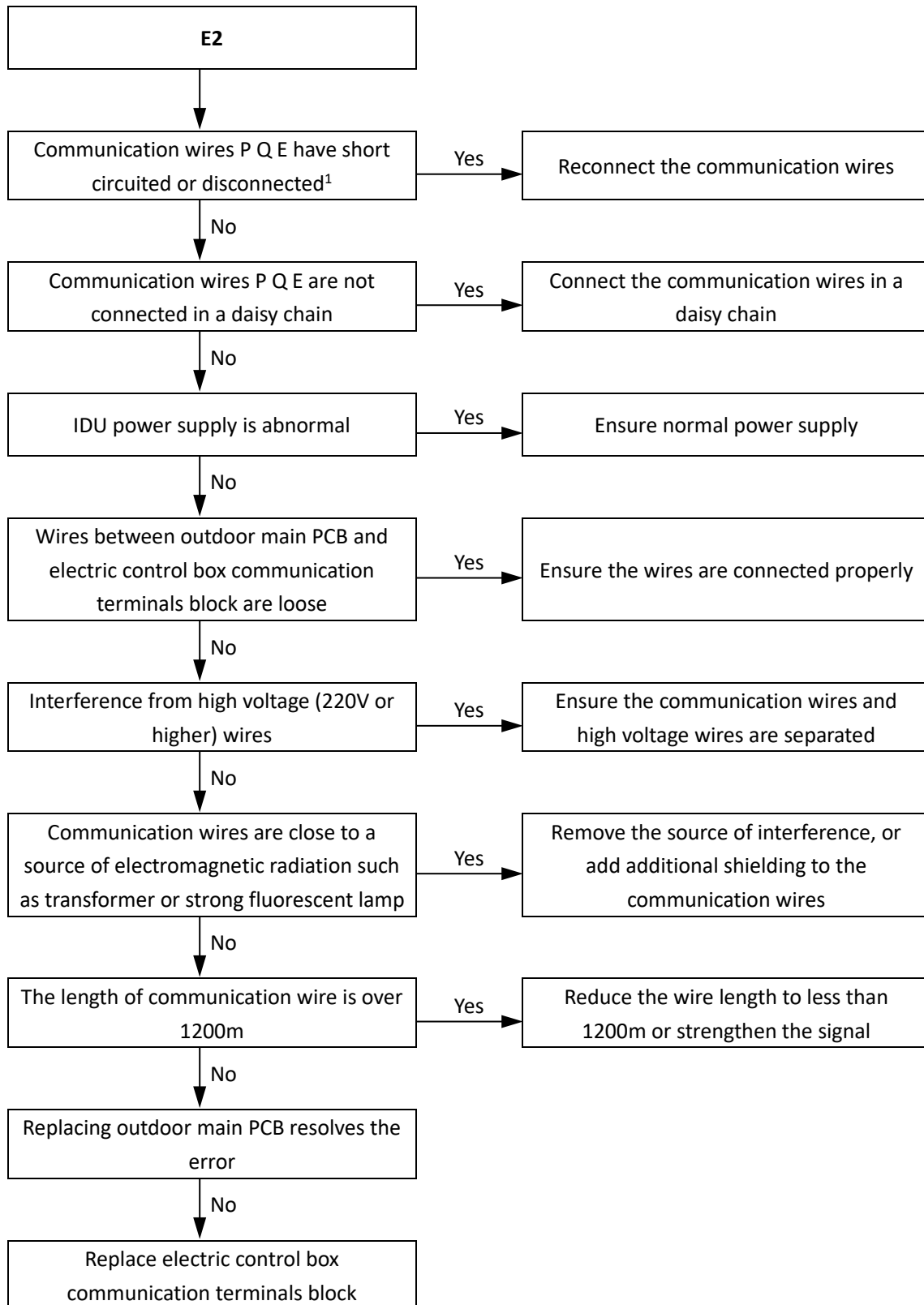
2.2.3 Trigger / recover condition

- Trigger condition: Indoor units and the outdoor unit cannot communicate for 2 minutes after the system is powered on for 20 minutes.
- Recover condition: Communication go back to normal.
- Reset method: Resume automatically.

2.2.4 Possible causes

- Communication wires between indoor and outdoor units not connected properly.
- Indoor unit power supply abnormal.
- Loosened wiring within electric control box.
- Interference from high voltage wires or other sources of electromagnetic radiation.
- Communication wire too long.
- Damaged main PCB or electric control box communication terminals block.

2.2.5 Procedure

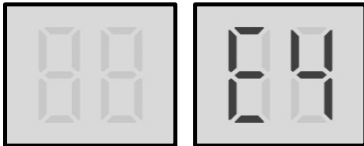


Notes:

1. Measure the resistance among P, Q and E. The normal resistance between P and Q is 120Ω, between P and E is infinite, between Q and E is infinite.

2.3 E4: Temperature sensor (T3/T4) error

2.3.1 Digital display output



2.3.2 Description

- Outdoor heat exchanger temperature sensor (T3) error or outdoor ambient temperature sensor (T4) error.
- All units stop running.
- Error code is only displayed on the unit with the error.

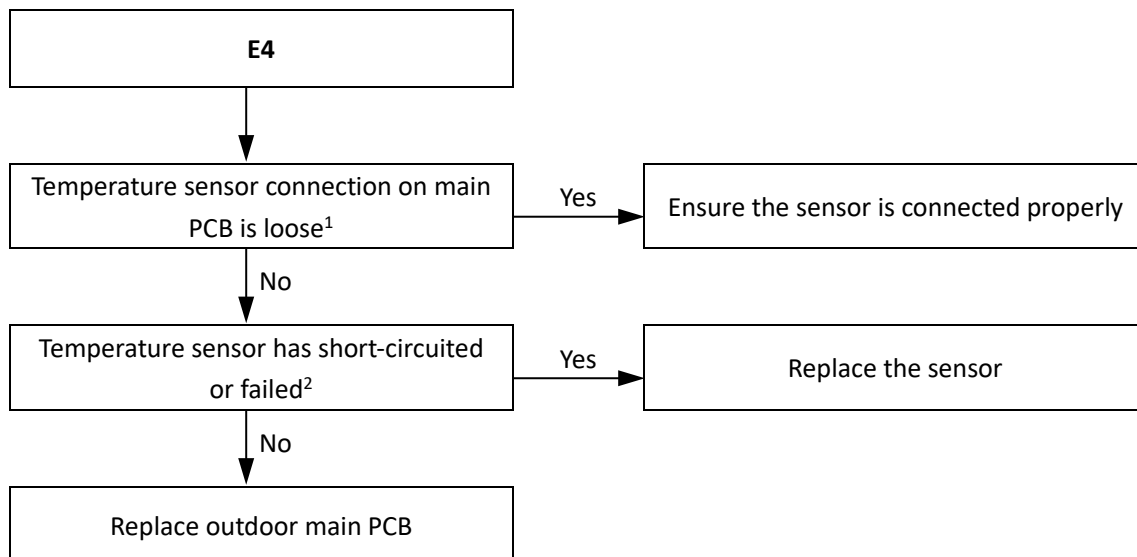
2.3.3 Trigger / recover condition

- Trigger condition: The main control board cannot receive the feedback signal of temperature sensor T3 or T4.
- Recover condition: The main control board can receive the feedback signal of temperature sensor T3 or T4.
- Reset method: Resume automatically.

2.3.4 Possible causes

- Temperature sensor not connected properly or has malfunctioned.
- Damaged main PCB.

2.3.5 Procedure

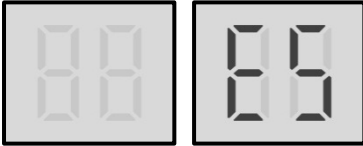


Notes:

1. Outdoor ambient temperature sensor (T4) and heat exchanger temperature sensor (T3) connection is port CN1 on the main PCB (labeled 11 in Figure 5-2.1 in Part 5, 2.1 "Ports").
2. Measure sensor resistance. If the resistance is too low, the sensor has short-circuited. If the resistance is not consistent with the sensor's resistance characteristics table, the sensor has failed. Refer to Table 6-3.1 in Part 6, 3.1 "Temperature Sensor Resistance Characteristics".

2.4 E5: Abnormal power supply voltage

2.4.1 Digital display output



2.4.2 Description

- Abnormal power supply voltage.
- All units stop running.
- Error code is only displayed on the unit with the error.

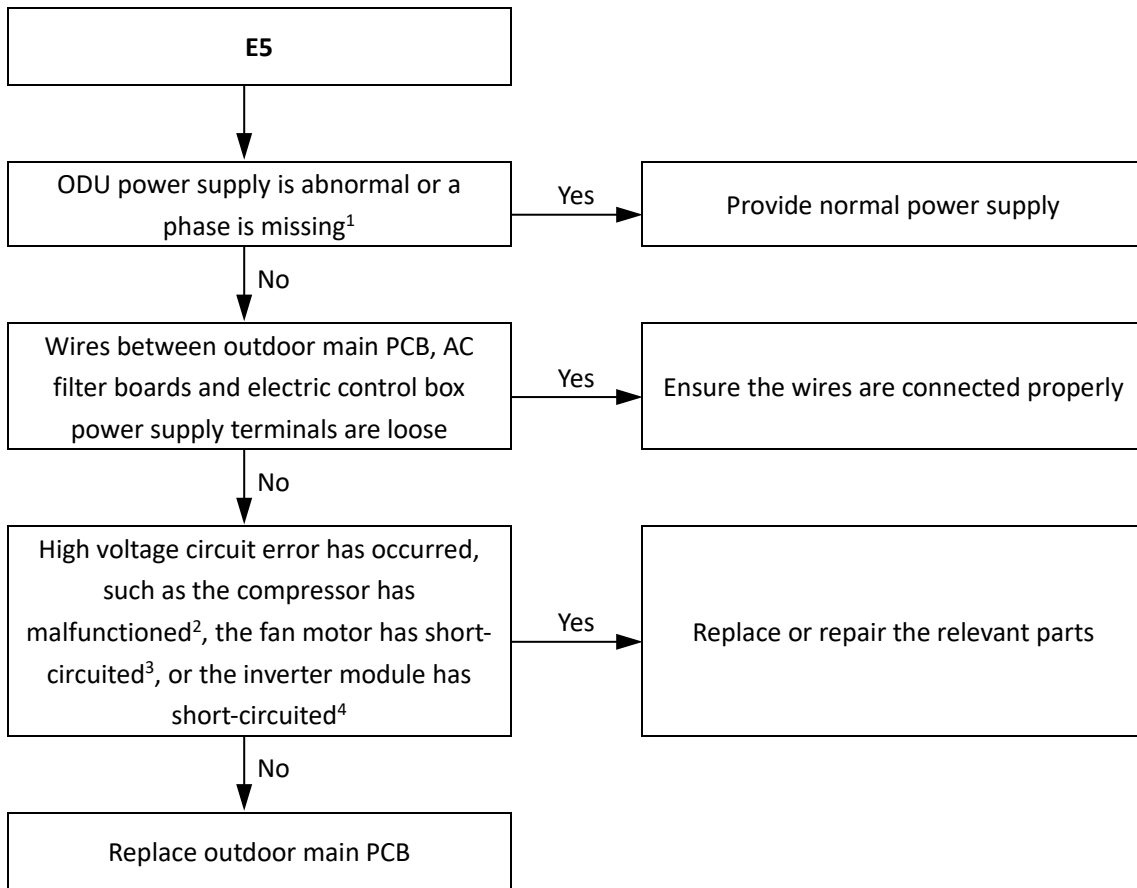
2.4.3 Trigger / recover condition

- Trigger condition: Outdoor unit power supply phase voltage < 165V.
- Recover condition: Outdoor unit power supply phase voltage is > 180V.
- Reset method: Resume automatically.

2.4.4 Possible causes

- Outdoor unit power supply voltage is abnormal or a phase is missing.
- Loosened wiring within electric control box.
- High voltage circuit error.
- Main PCB damaged.

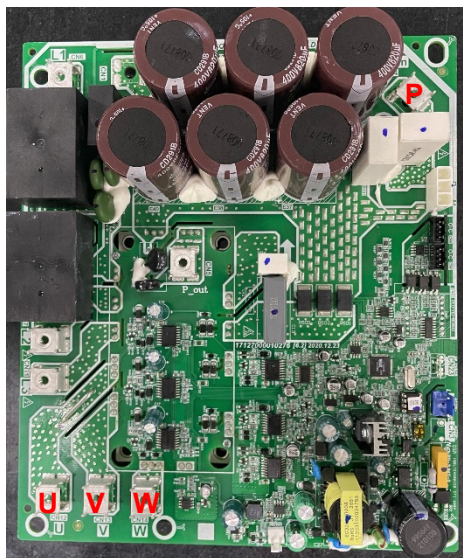
2.4.5 Procedure



Notes:

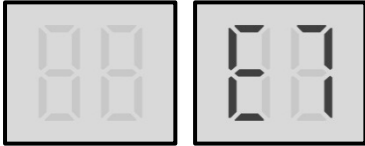
1. The normal resistances of the inverter compressor are 0.7-1.5Ω among U V W and infinite between each of U V W and ground. If any of the resistances differ from these specifications, the compressor has malfunctioned.
2. The normal resistances of the fan motor coil among U V W are less than 10Ω. If a measured resistance is 0Ω, the fan motor has short-circuited.
3. Set a multi-meter to buzzer mode and test any two terminals of P U V W of the inverter module. If the buzzer sounds, the inverter module has short-circuited.

Figure 6-2.1: Inverter module terminals



2.5 E7: Temperature sensor (T7C1/2) error

2.5.1 Digital display output



2.5.2 Description

- A compressor top temperature sensor or discharge pipe temperature sensor (T7C1/2) error.
- All units stop running.
- Error code is only displayed on the unit with the error.

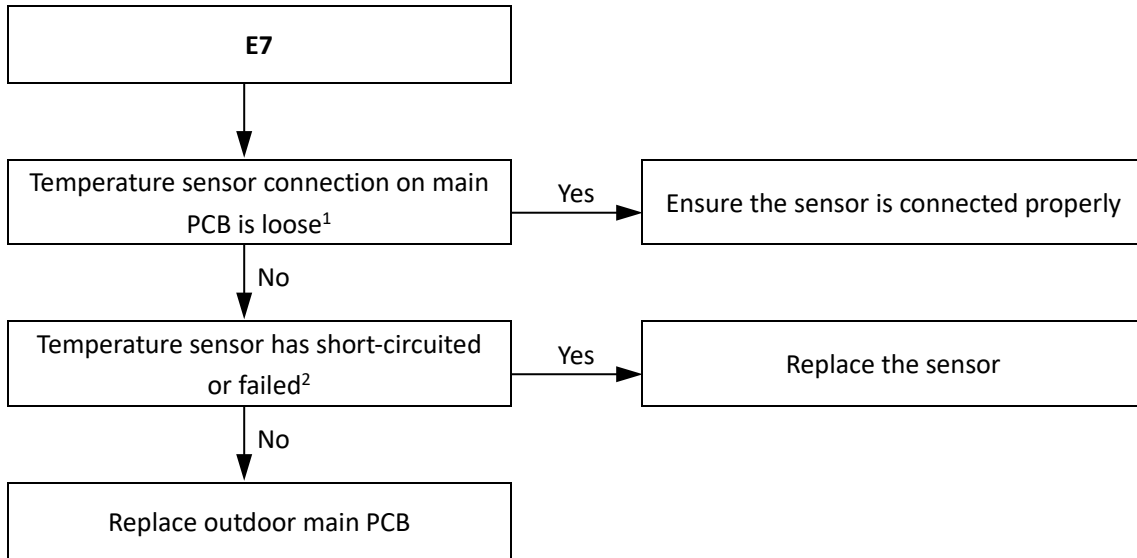
2.5.3 Trigger / recover condition

- Trigger condition: Discharge pressure $\geq 3\text{MPa}$ and discharge temperature $< 15^{\circ}\text{C}$ for 2 minutes.
- Recover condition: Discharge pressure and temperature go back to normal.
- Reset method: Manually restart.

2.5.4 Possible causes

- Temperature sensor not connected properly or has malfunctioned.
- Damaged main PCB.

2.5.5 Procedure

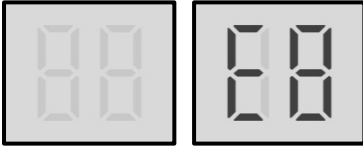


Notes:

1. Compressor top temperature sensor and discharge pipe temperature sensor connections are ports CN4 and CN5 on the main PCB (labeled 3 and 4, respectively, in Figure 5-2.1 in Part 5, 2.1 "Ports").
2. Measure sensor resistance. If the resistance is too low, the sensor has short-circuited. If the resistance is not consistent with the sensor's resistance characteristics table, the sensor has failed. Refer to Table 6-3.2 in Part 6, 3.1 "Temperature Sensor Resistance Characteristics".

2.6 E8: Outdoor unit address error

2.6.1 Digital display output



2.6.2 Description

- Outdoor unit address error.
- All units stop running.
- Error code is only displayed on the unit with the error.

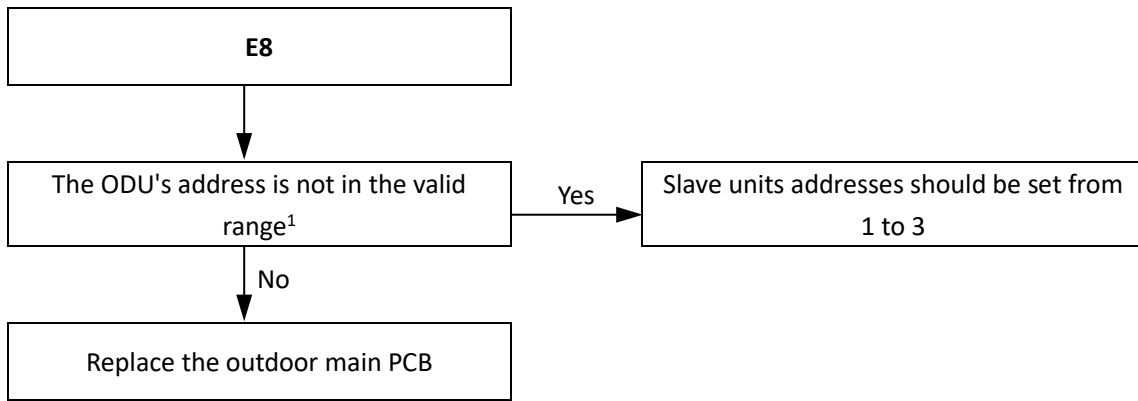
2.6.3 Trigger / recover condition

- Trigger condition: Outdoor unit address is set more than 3.
- Recover condition: Outdoor unit addresses are set from 0 to 3.
- Reset method: Manually restart.

2.6.4 Possible causes

- Invalid outdoor unit address.
- Main PCB damaged.

2.6.5 Procedure

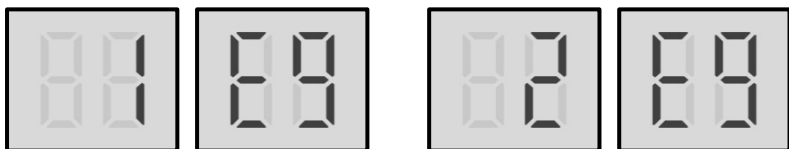


Notes:

1. The V6 Individual outdoor unit address should be set as 0.

2.7 xE9: EEPROM mismatch

2.7.1 Digital display output



In the error code, 'x' is a placeholder for the compressor system (compressor and related electrical components), with 1 representing compressor system A and 2 representing compressor system B.

2.7.2 Description

- 1E9 indicates a compressor A EEPROM mismatch.
- 2E9 indicates a compressor B EEPROM mismatch.
- All units stop running.
- Error code is only displayed on the unit with the error.

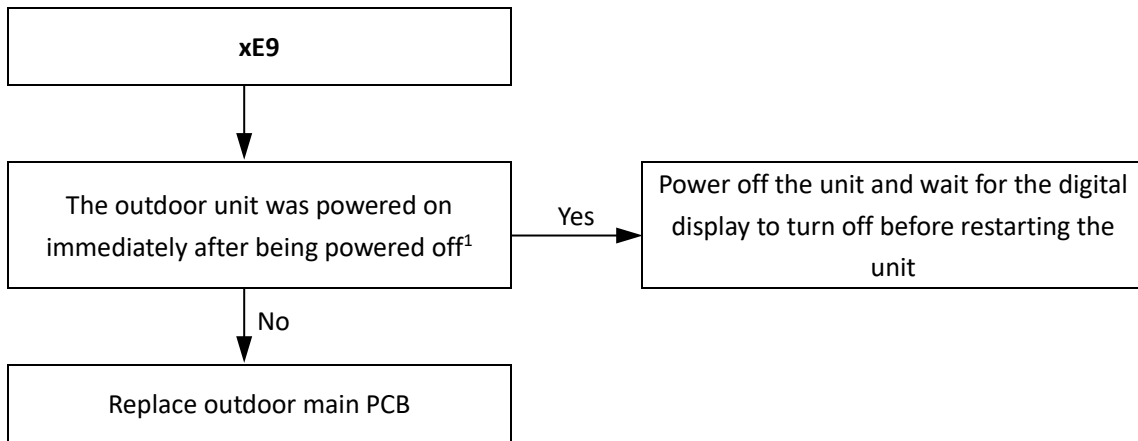
2.7.3 Trigger / recover condition

- Trigger condition: Compressor drive parameter is mismatch.
- Recover condition: Compressor drive parameter is match.
- Reset method: Manually restart.

2.7.4 Possible causes

- Outdoor unit was powered on immediately after being powered off.
- Main PCB damaged.

2.7.5 Procedure

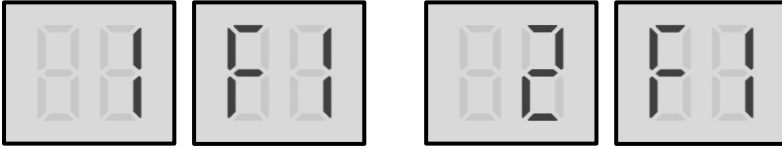


Notes:

1. When performing a manual restart of an outdoor unit, once the unit has been powered off it should not be powered on again until the digital display has turned off.

2.8 xF1: DC bus voltage error

2.8.1 Digital display output



'x' is a placeholder for the compressor system (compressor and related electrical components), with 1 representing compressor system A and 2 representing compressor system B.

2.8.2 Description

- 1F1 indicates compressor A DC bus voltage error; 2F1 indicates compressor B DC bus voltage error.
- All units stop running.
- Error code is only displayed on the unit with the error.

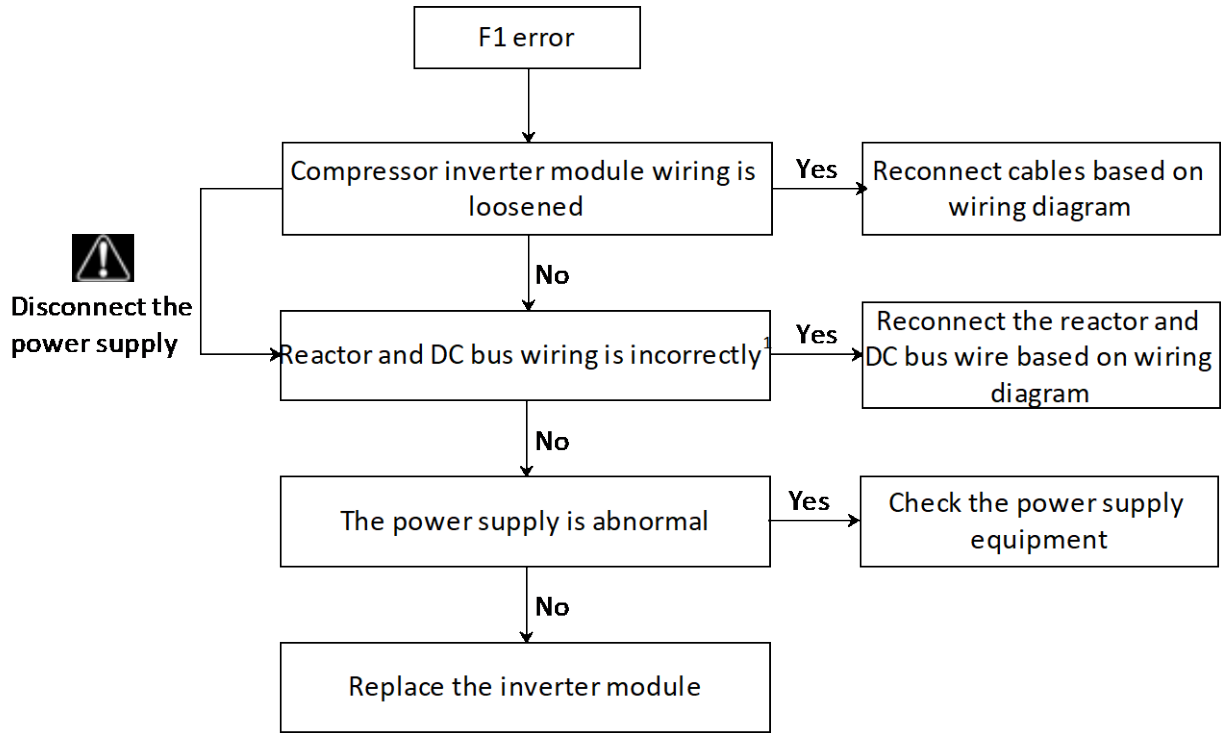
2.8.3 Trigger / recover condition

- Trigger condition: DC bus voltage < 350V or DC bus voltage > 700V continuously for 10 seconds.
- Recover condition: DC bus voltage goes back to normal.
- Reset method: Restart automatically.

2.8.4 Possible causes

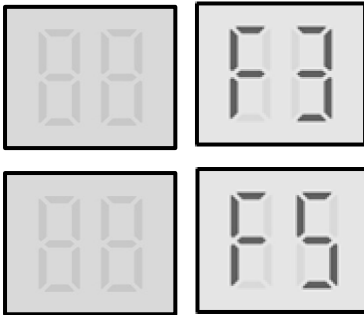
- Loosened wiring of the compressor inverter module.
- Incorrect wiring of the reactor and DC bus wire.
- Abnormal power supply.
- Inverter module damaged.

2.8.5 Procedure



2.9 F3, F5: Temperature sensor (T6B/T6A) error

2.9.1 Digital display output



2.9.2 Description

- F3 indicates plate heat exchanger cooling refrigerant outlet temperature sensor (T6B) error.
- F5 indicates plate heat exchanger cooling refrigerant inlet temperature sensor (T6A) error.
- All units stop running.
- Error code is only displayed on the unit with the error.

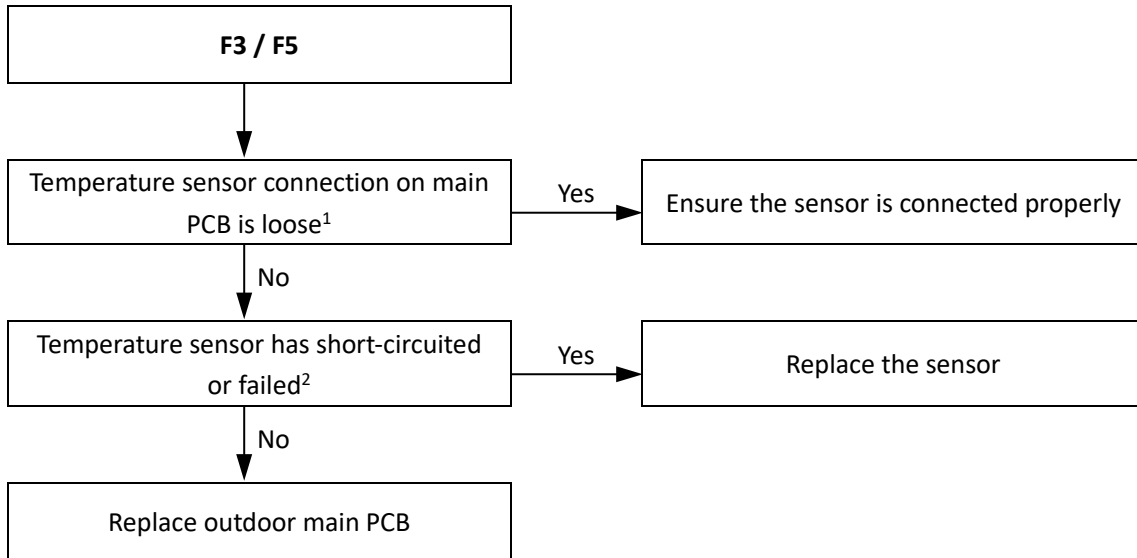
2.9.3 Trigger / recover condition

- Trigger condition: Temperature sensor T6A(B) is open or short-circuit.
- Recover condition: Temperature sensor T6A(B) connection ports can detect load.
- Reset method: Resume automatically.

2.9.4 Possible causes

- Temperature sensor not connected properly or has malfunctioned.
- Damaged main PCB.

2.9.5 Procedure

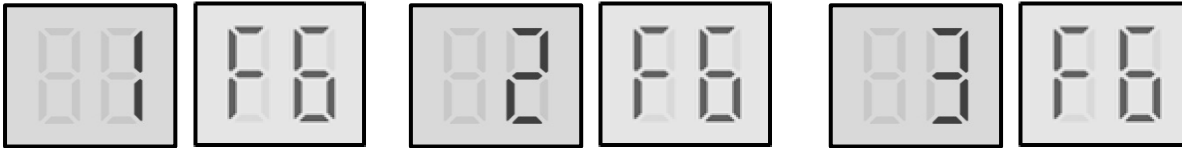


Notes:

1. Plate heat exchanger cooling refrigerant inlet temperature sensor (T6A) and plate heat exchanger cooling refrigerant outlet temperature sensor (T6B) connection are port CN8 and CN8_1 on the main PCB (labeled 10 and 12, respectively, in Figure 5-2.1 in Part 5, 2.1 "Ports").
2. Measure sensor resistance. If the resistance is too low, the sensor has short-circuited. If the resistance is not consistent with the sensor's resistance characteristics table, the sensor has failed. Refer to Table 6-3.1 in Part 6, 3.1 "Temperature Sensor Resistance Characteristics".

2.10 F6: Electronic expansion valve connection error

2.10.1 Digital display output



In the error code, 'x' is a placeholder for the EXV system, with 1 representing EXVA, 2 representing EXVB, and 3 representing EXVC.

2.10.2 Description

- Electronic expansion valve connection error.
- All units stop running.
- Error code is only displayed on the unit with the error.

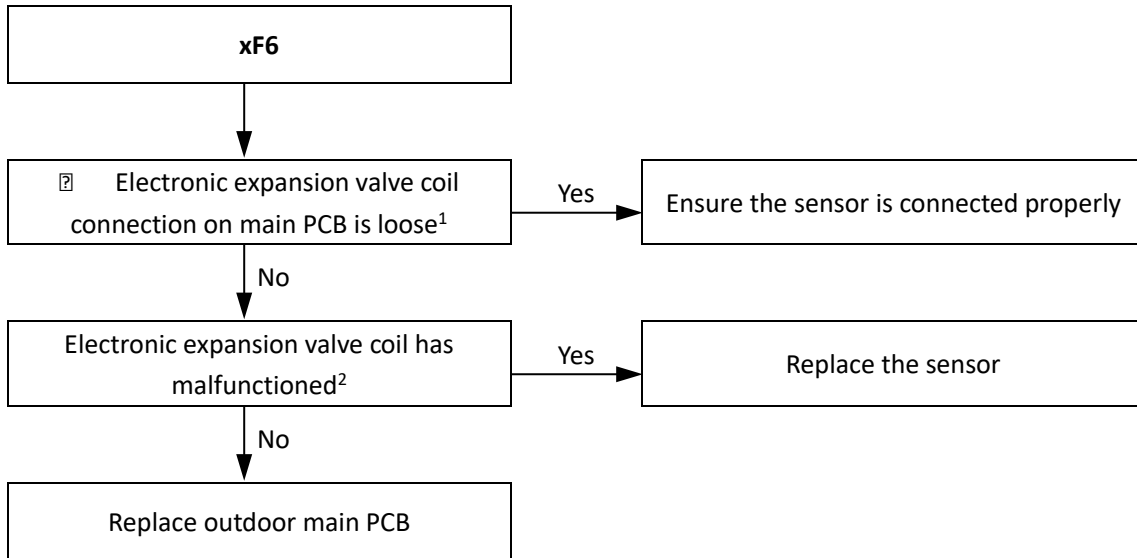
2.10.3 Trigger / recover condition

- Trigger condition: The main control board cannot receive the feedback signal of EXV.
- Recover condition: The main control board can receive the feedback signal of EXV.
- Reset method: When the main control board can receive the feedback signal of EXV, F6 flashes, a manual system restart is required before the system can resume operation.

2.10.4 Possible causes

- Electronic expansion valve coil not connected properly or has malfunctioned.
- Damaged main PCB.

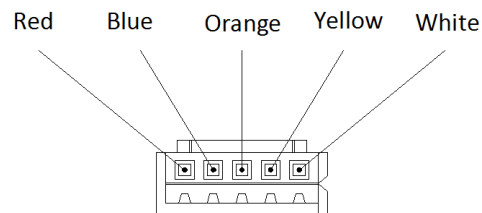
2.10.5 Procedure



Notes:

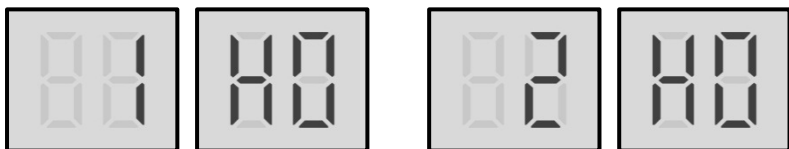
1. Electronic expansion valve coil connections are port CN70, CN71 and CN72 on the main PCB (labeled 18, 19 and 20, respectively, in Figure 5-2.1 in Part 5, 2.1 "Ports").
2. The normal resistances between EXV coil wiring terminals RED and white / yellow / orange / blue are 40-50Ω. If any of the resistances differ from the value, the EXV coil has malfunctioned.

Figure 6-2.3: EXV coil wiring terminals



2.11 xH0: Communication error

2.11.1 Digital display output



In the error code, 'x' is a placeholder for the compressor system (compressor and related electrical components), with 1 representing compressor system A and 2 representing compressor system B.

2.11.2 Description

- 1H0 indicates a communication error between the main control chip and the compressor A inverter driver chip.
- 2H0 indicates a communication error between the main control chip and the compressor B inverter driver chip.
- All units stop running.
- Error code is only displayed on the unit with the error.

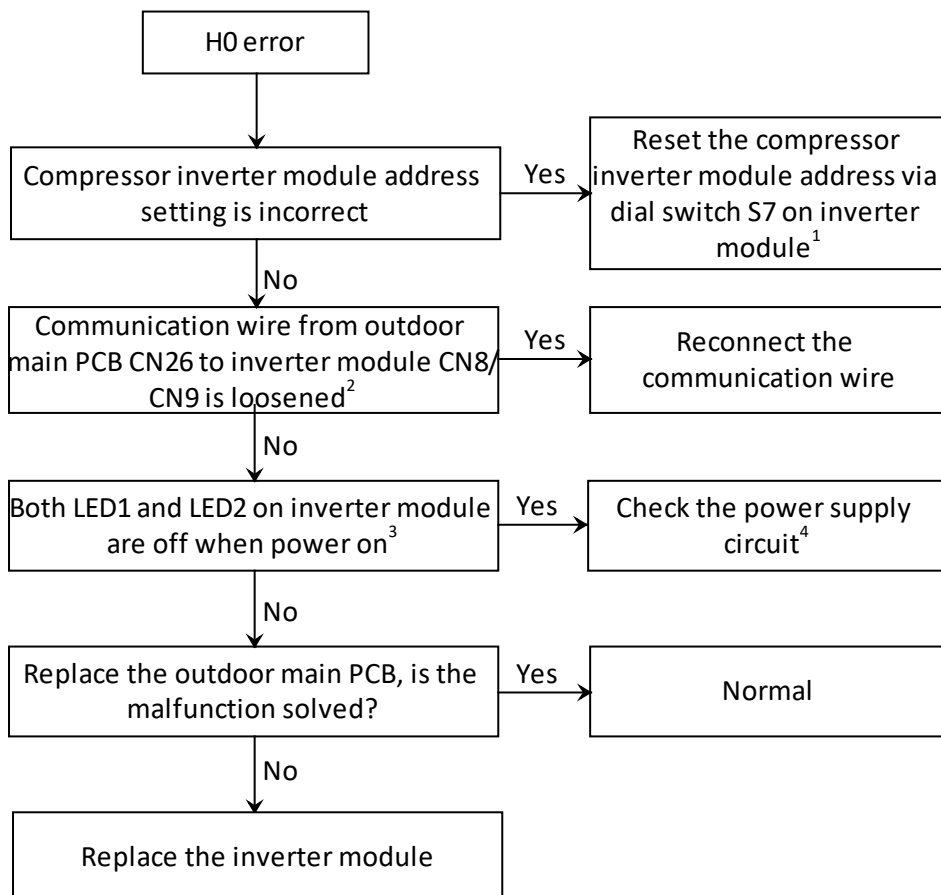
2.11.3 Trigger / recover condition

- Trigger condition: Main control chip and inverter driver chip cannot communication for 2 minutes.
- Recover condition: Communication go back to normal.
- Reset method: Resume automatically.

2.11.4 Possible causes



- Incorrect compressor inverter module address setting.
- Loosened communication wiring from the main PCB to the inverter module.
- Bridge rectifier damaged.
- Main PCB damaged.
- Compressor inverter module damaged.

2.11.5 Procedure

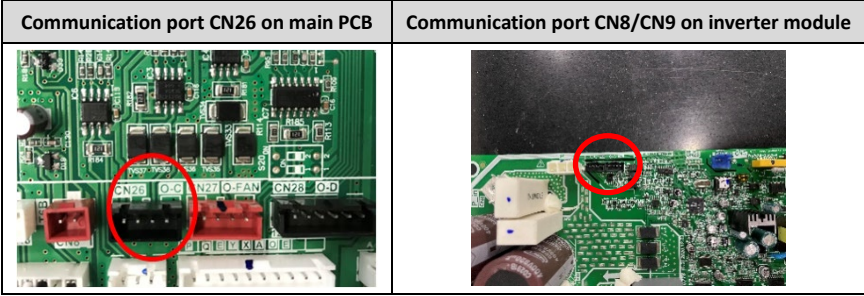


Notes:

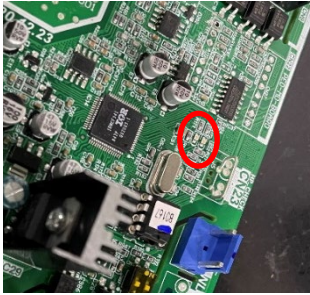
- Compressor inverter module address is set through dial switch S7 on the inverter module. The compressor inverter module A/B location refers to the wiring diagram.

S7 on inverter module	Inverter module address
 ON 1 2	0 for compressor inverter module A
 ON 1 2	1 for compressor inverter module B

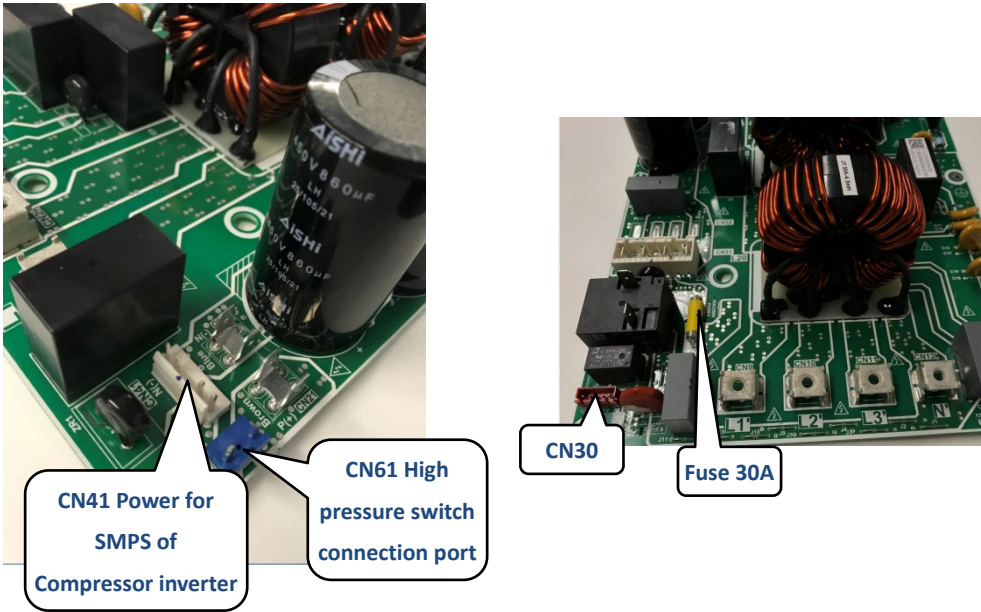
- Communication wire from outdoor main PCB CN26 to inverter module CN8/CN9.



- LED1/2 on inverter module

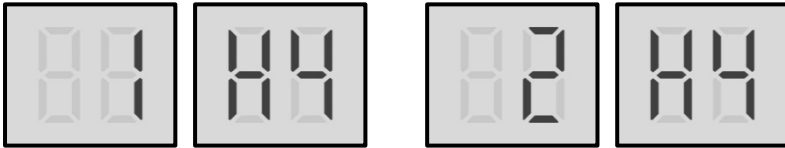


- Check the power supply for the compressor inverter module, port CN41 on filter board, the normal voltage should be DC310V; check the high pressure switch connection port CN61 on filter board, the normal resistance should be zero; Check the single phase bridge and fuse on filter board; check the connection cable from ODU main PCB port CN82 to filter board port CN30 which is DC310V power control port.



2.12 xH4: Inverter module protection

2.12.1 Digital display output



In the error code, 'x' is a placeholder for the compressor system (compressor and related electrical components), with 1 representing compressor system A and 2 representing compressor system B.

2.12.2 Description

- 1H4 indicates compressor A inverter module protection.
- 2H4 indicates compressor B inverter module protection.
- All units stop running.
- Error code is only displayed on the unit with the error.

2.12.3 Trigger / recover condition

- Trigger condition: Compressor appears three inverter module protections.
- Recover condition: Inverter module goes back to normal.
- Reset method: Manually restart.

2.12.4 Possible causes

- Inverter module protection.
- DC bus low or high voltage protection.
- MCE error.
- Zero speed protection.
- Phase sequence error.
- Excessive compressor frequency variation.
- Actual compressor frequency differs from target frequency.

2.12.5 Specific error codes for xH4 inverter module protection

If an xH4 error code is displayed, enter menu mode “n31” (refer to Part 5, 2.2.3 “menu mode”) to check the history error code to check the following specific error code: xL0, xL1, xL2, xL4, xL5, xL7, xL8, xL9.

Table 6-2.1: Specific error codes for error xH4

Specific error code ¹	Content
xL0	Inverter module protection
xL1	DC bus low voltage protection
xL2	DC bus high voltage protection
xL4	MCE error
xL5	Zero speed protection
xL7	Phase sequence error
xL8	Compressor frequency variation greater than 15Hz within one second protection
xL9	Actual compressor frequency differs from target frequency by more than 15Hz protection

Notes:

1. 'x' is a placeholder for the compressor system (compressor and related electrical components), with 1 representing compressor system A and 2 representing compressor system B.

The specific error codes xL0, xL1, xL2 and xL4 can also be obtained from the inverter module LED indicators. If an inverter module error has occurred, LED2 is continuously on and LED1 flashes.

Figure 6-2.4: LED indicators LED1 and LED2 on inverter module

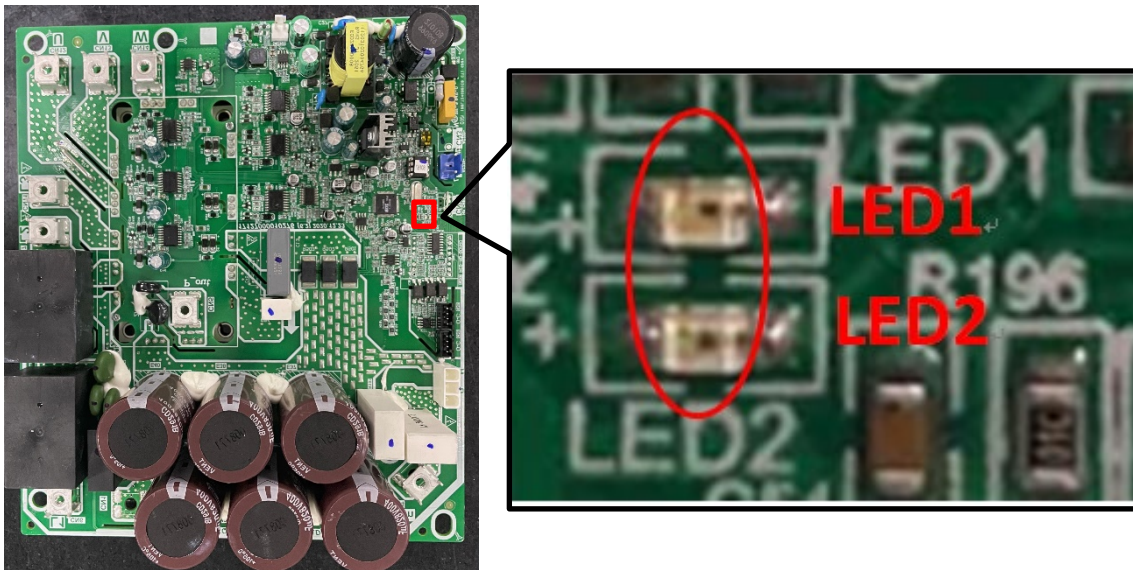
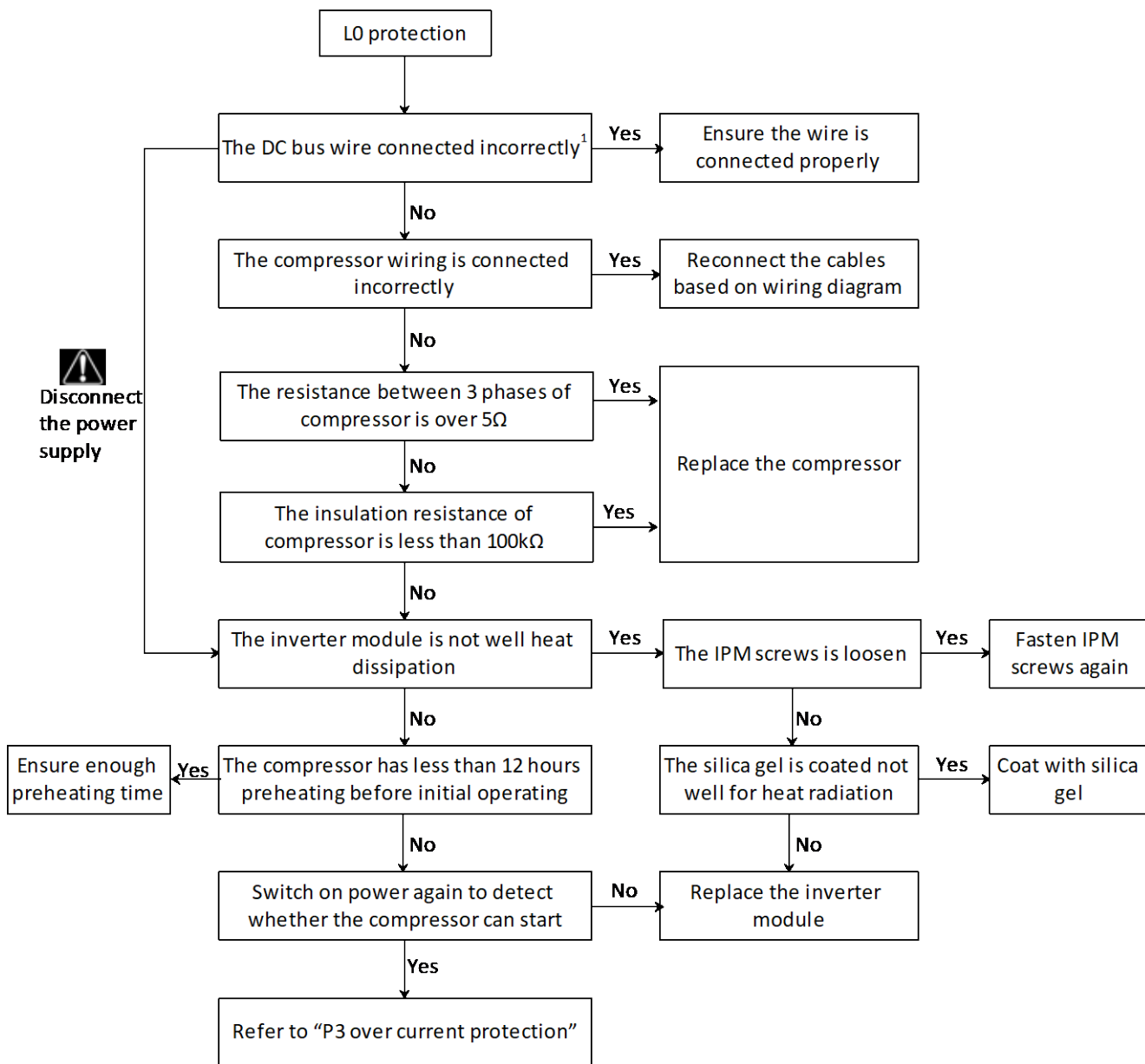


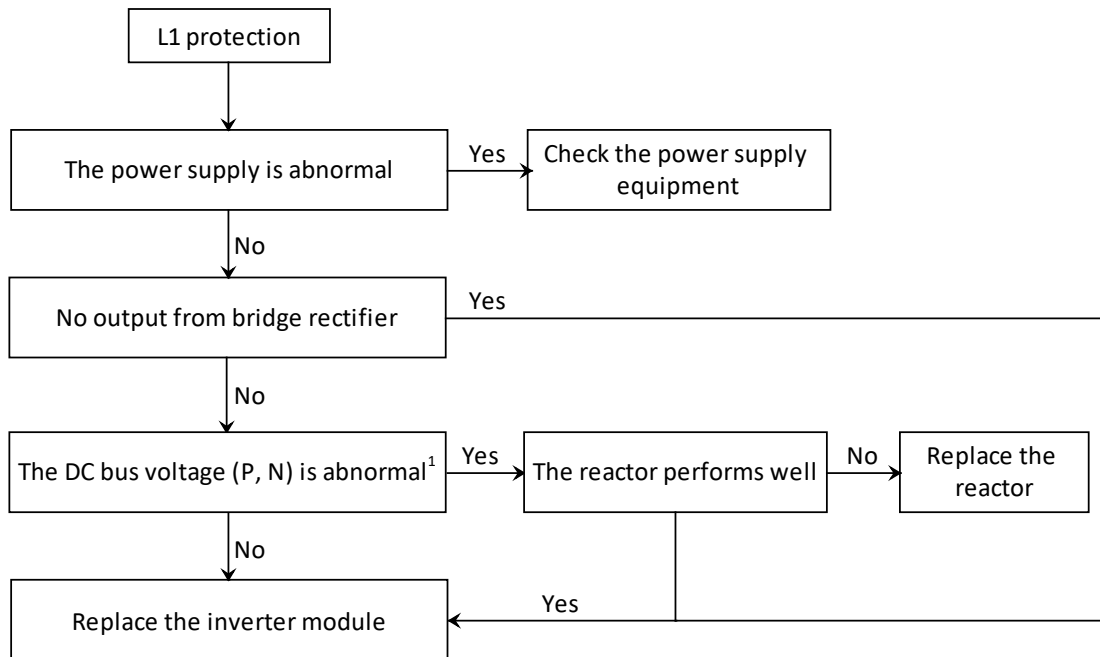
Table 5-3.2: Errors indicated on LED1

LED1 flashing pattern	Corresponding error
Flashes 8 times and stops for 1 second, then repeats	xL0 - Inverter module protection
Flashes 9 times and stops for 1 second, then repeats	xL1 - DC bus low voltage protection
Flashes 10 times and stops for 1 second, then repeats	xL2 - DC bus high voltage protection
Flashes 12 times and stops for 1 second, then repeats	xL4 - MCE error

2.12.6 L0: Inverter module protection



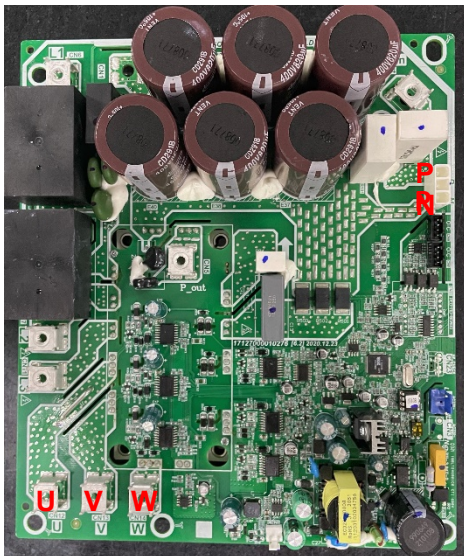
2.12.7 L1: DC bus low voltage protection



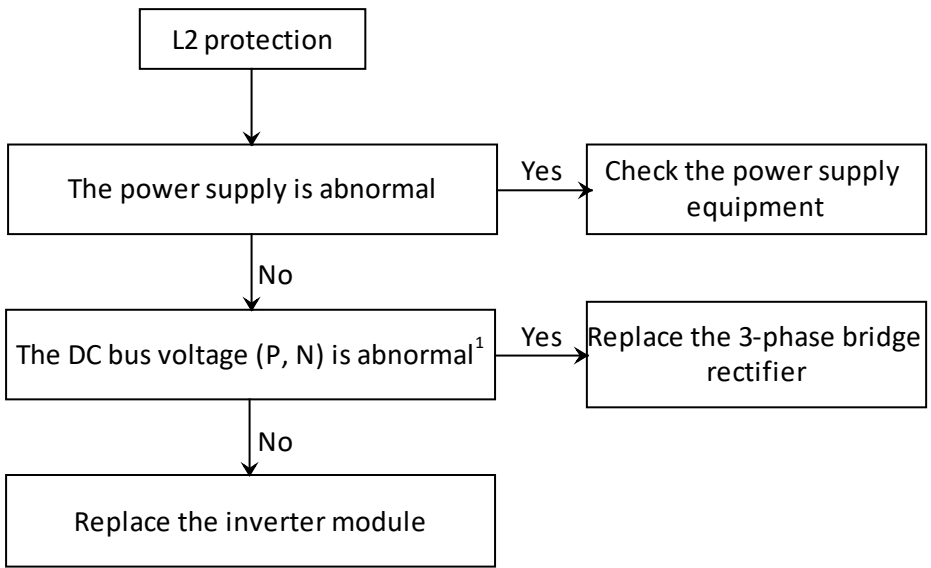
Note:

1. The normal DC voltage between terminals P and N on inverter module should be 450-650V. When the voltage is lower than 350V, L1 protection will be appeared.

Figure 6-2.6: Inverter module terminals



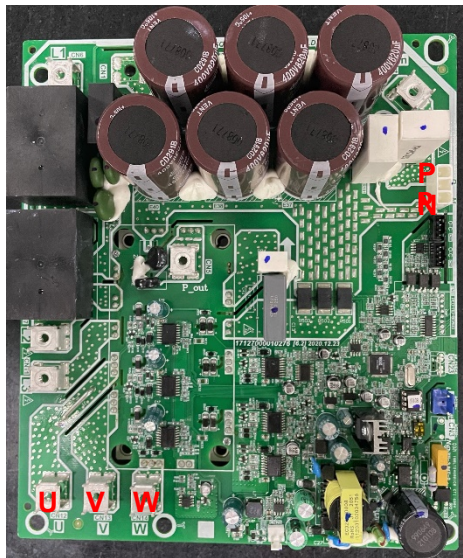
2.12.8 L2: DC bus high voltage protection



Note:

1. The normal DC voltage between terminals P and N on inverter module should be 450-650V. When the voltage is higher than 700V, L2 protection will be appeared.

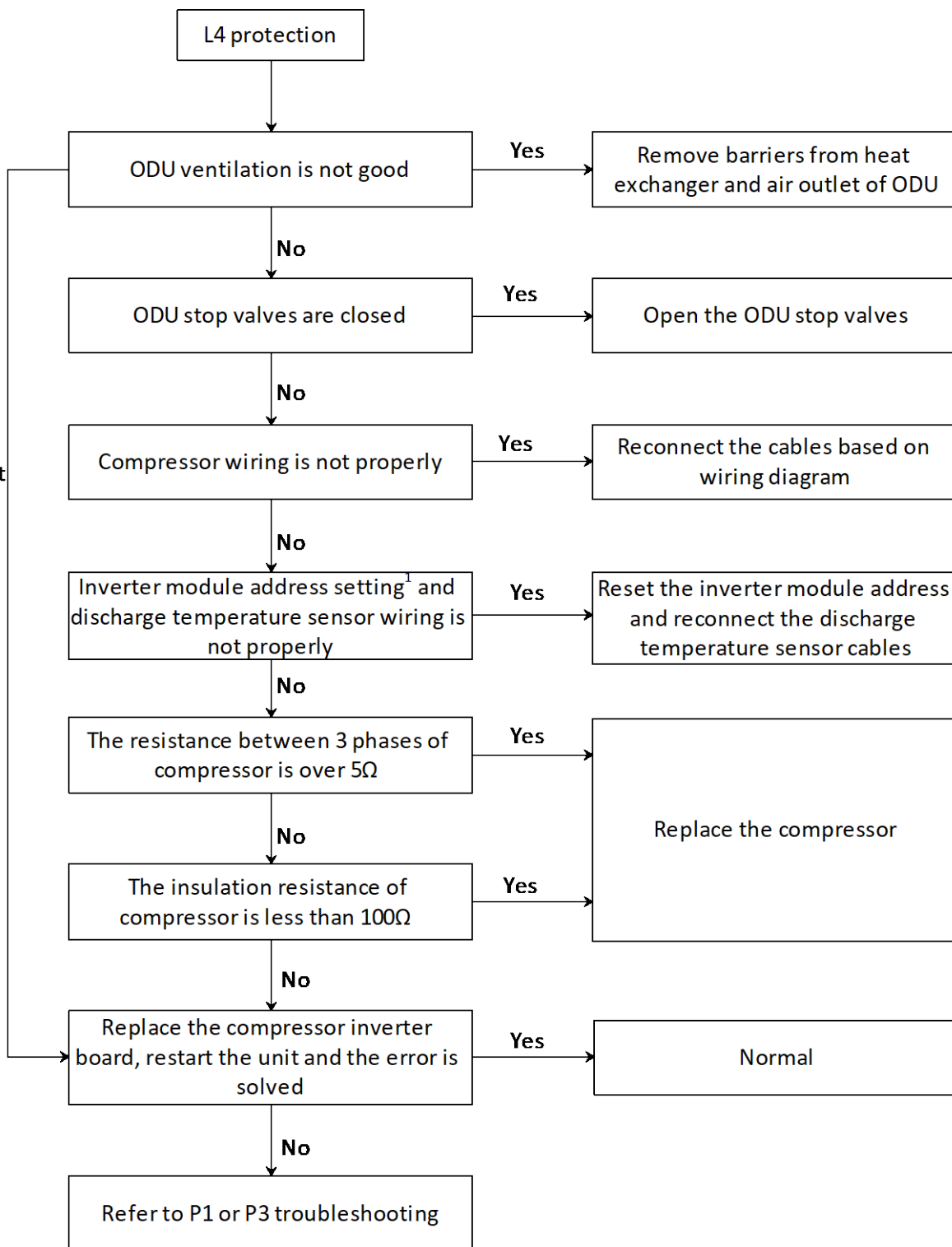
Figure 6-2.7: Inverter module terminals



2.12.9 L4: MCE error



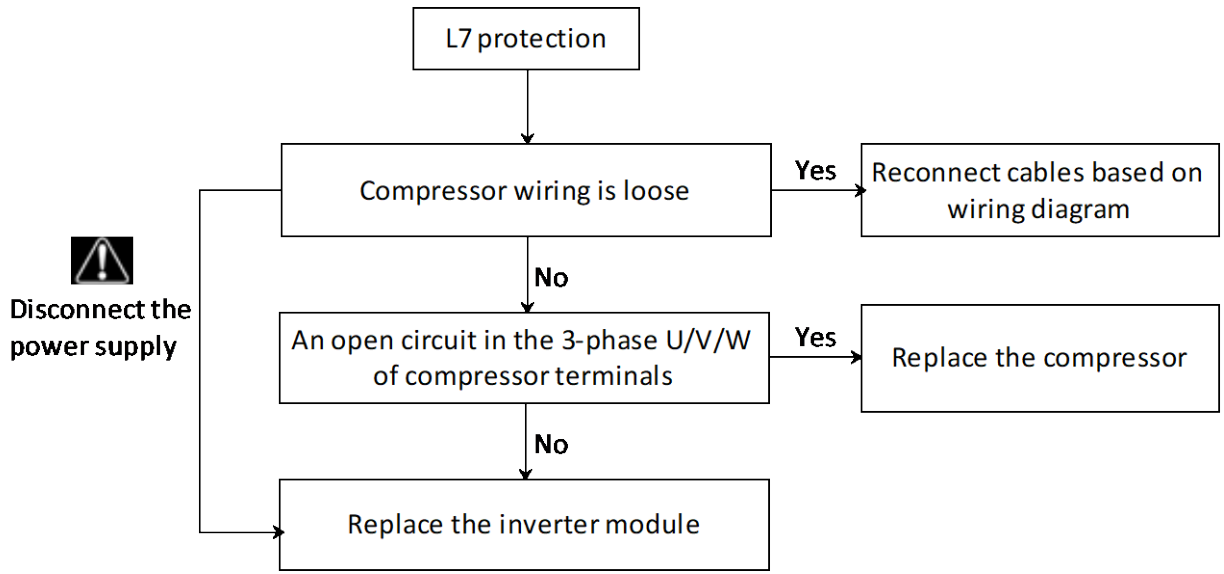
Disconnect the power supply



- Notes:
1. Compressor inverter module address is set through dial switch S7 on the inverter module. The compressor inverter module A/B location refers to the wiring diagram.

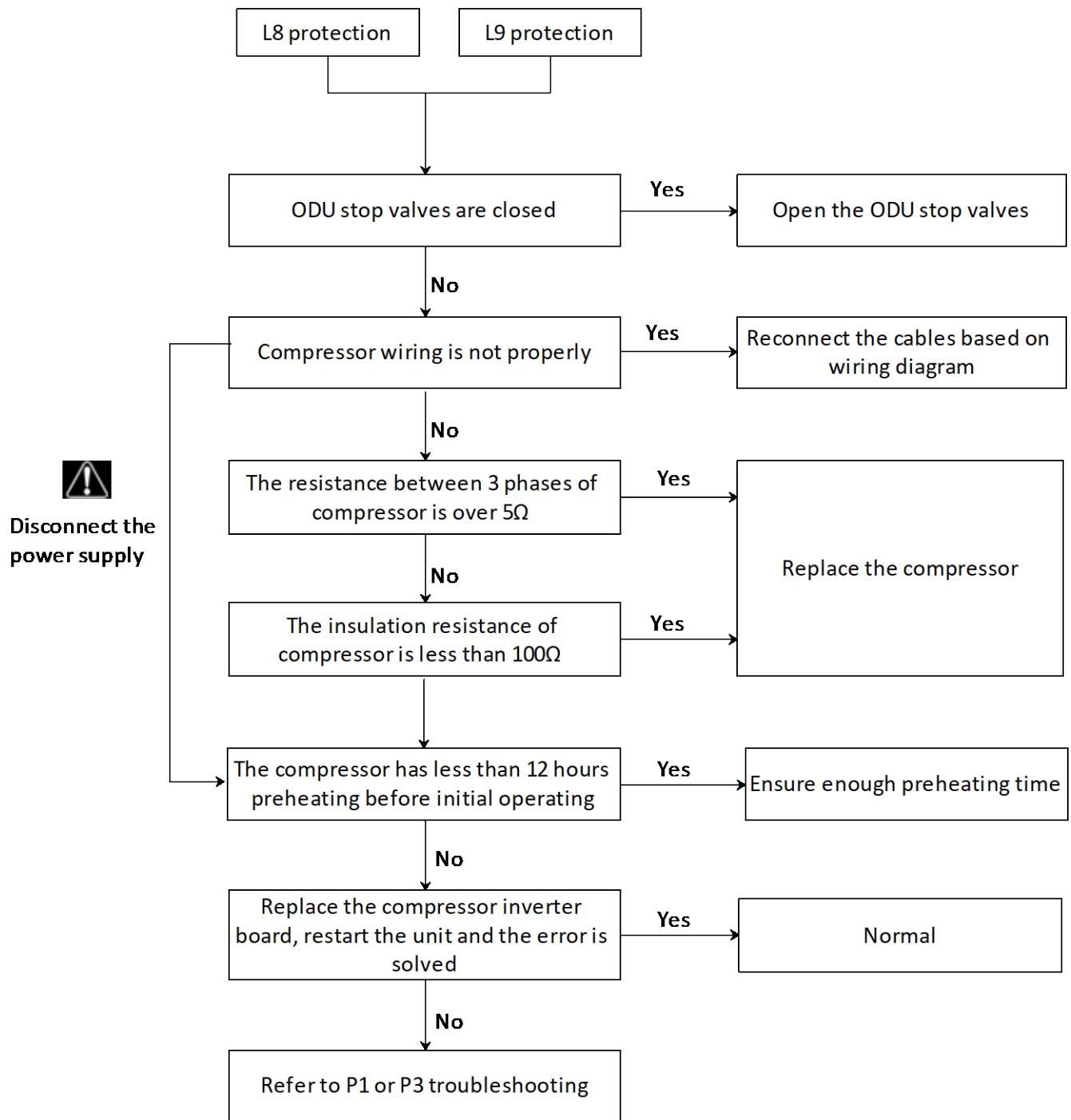
S7 on inverter module	Inverter module address
	0 for compressor inverter module A
	1 for compressor inverter module B

2.12.10 L7: Phase sequence error



2.12.11 L8: Compressor frequency variation greater than 15Hz within one second protection

L9: Actual compressor frequency differs from target frequency by more than 15Hz protection



2.12.12 Compressor replacement procedure

Step 1: Remove faulty compressor and remove oil

- Remove the faulty compressor from the outdoor unit.
- Before removing the oil, shake the compressor so as to not allow impurities to remain settled at the bottom.
- Drain the oil out of the compressor and retain it for inspection. Normally the oil can be drained out from the compressor discharge pipe.

Figure 6-2.8: Draining oil from a compressor



Step 2: Inspect oil from faulty compressor

- The oil should be clear and transparent. Slightly yellow oil is not an indication of any problems. However, if the oil is dark, black or contains impurities, the system has problems and the oil needs to be changed. Refer to Figure 5-4.16 for further details regarding inspecting compressor oil. (If the compressor oil has been spoiled, the compressor will not be being lubricated effectively. The scroll plate, crankshaft and bearings will wear. Abrasion will lead to a larger load and higher current. More electric energy will get dissipated as heat and the temperature of the motor will become increasingly high. Finally, compressor damage or burnout will result.)

Step 3: Check oil in other compressors in the system

- If the oil drained from the faulty compressor is clean, go to Step 6.
- If the oil drained from the faulty compressor is only lightly spoiled, go to Step 4.
- If the oil drained from the faulty compressor is heavily spoiled, check the oil in the other compressors in the system. Drain the oil from any compressors where the oil has been spoiled. Go to Step 4.

Step 4: Replace oil separator(s) and accumulator(s)

- If the oil from a compressor is spoiled (lightly or heavily), drain the oil from the oil separator and accumulator in that unit and then replace them.

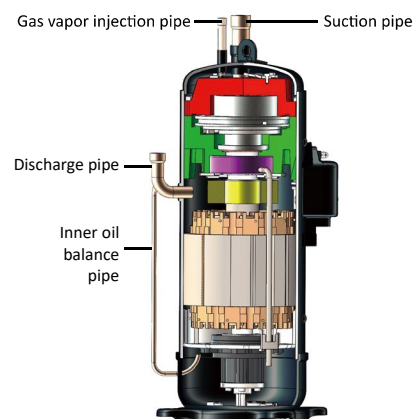
Step 5: Check filters(s)

- If the oil from a compressor is spoiled (lightly or heavily), check the filter between the gas stop valve and the 4-way valve in that unit. If it is blocked, clean with nitrogen or replace.

Step 6: Replace the faulty compressor and re-fit the other compressors

- Replace the faulty compressor.
- If the oil had been spoiled and was drained from the non-faulty compressors in Step 3, use clean oil to clean them before re-fitting them into the units. To clean, add oil into the compressor through the discharge pipe using a funnel, shake the compressor, and then drain the oil. Repeat several times and then re-fit the compressors into the units. (The discharge pipe is connected to the oil pool of the compressor by the inner oil balance pipe.)

Figure 6-2.9: Compressor piping



Step 7: Add compressor oil

- Add 1.2L of oil to the new compressor through the discharge pipe, using a funnel.
- Add 1.2L of oil to each of the compressors from which oil was drained in Step 3.
- Only use FV68H oil. Different compressors require different types of oil. Using the wrong type of oil leads to various problems.
- Add additional oil to the accumulators such that the total amount of oil is 5L in 8-12HP units, 6L in 14-16HP units 7L in 18-22HP units, 9L in 24-28HP units and 10L in 30-32HP units.

Step 8: Vacuum drying and refrigerant charging

- Once all the compressors and other components have been fully connected, vacuum dry the system and recharge refrigerant. Refer to the V6 Engineering Data Book, Part 3.

Figure 6-2.10: Inspecting compressor oil

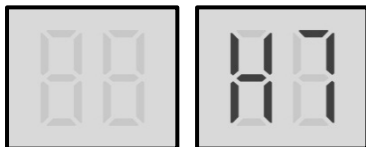


Figure 6-2.11: Effects of spoiled compressor oil



2.13 H7: Unmatched total number of indoor units

2.13.1 Digital display output



2.13.2 Description

- Number of indoor units detected by the outdoor unit not same as number set on main PCB.
- All units stop running.
- Error code is displayed on the outdoor unit.

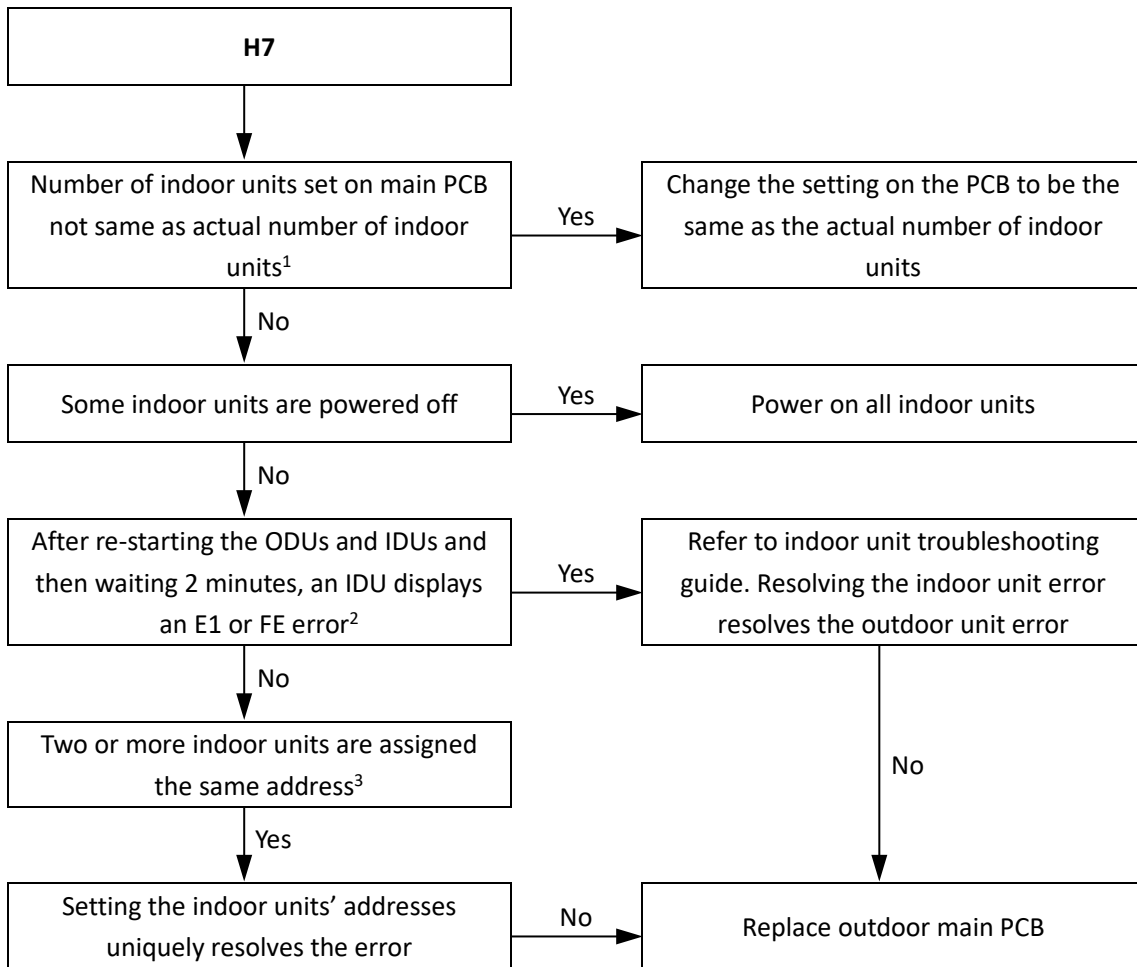
2.13.3 Trigger / recover condition

- Trigger condition: Only one indoor unit cannot be detected by the outdoor unit for 8 hours or more than one indoor unit cannot be detected by the outdoor unit for 3 minutes.
- Recover condition: Number of indoor units detected by the outdoor unit is same as number set on main PCB.
- Reset method: Resume automatically.

2.13.4 Possible causes

- Number of indoor units set on main PCB not same as actual number of indoor units.
- Some indoor units are powered off.
- Communication wires between indoor and outdoor units not connected properly.
- Indoor unit PCB damaged.
- Indoor unit without address or indoor unit address duplicated.
- Main PCB damaged.

2.13.5 Procedure

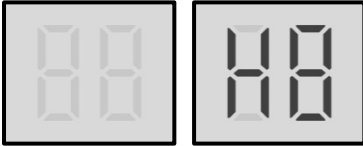


Notes:

1. The number of indoor units can be set on switches EN3 and S12 on the main PCB.
2. Indoor unit error code E1 indicates a communication error between indoor and outdoor unit. Indoor unit error code FE indicates that an indoor unit has not been assigned an address.
3. Indoor unit addresses can be checked and manually assigned using indoor unit remote/wired controllers. Alternatively, indoor unit addresses can be automatically assigned by the outdoor unit.

2.14 H8: High pressure sensor error

2.14.1 Digital display output



2.14.2 Description

- High pressure sensor error.
- All units stop running.
- Error code is only displayed on the unit with the error.

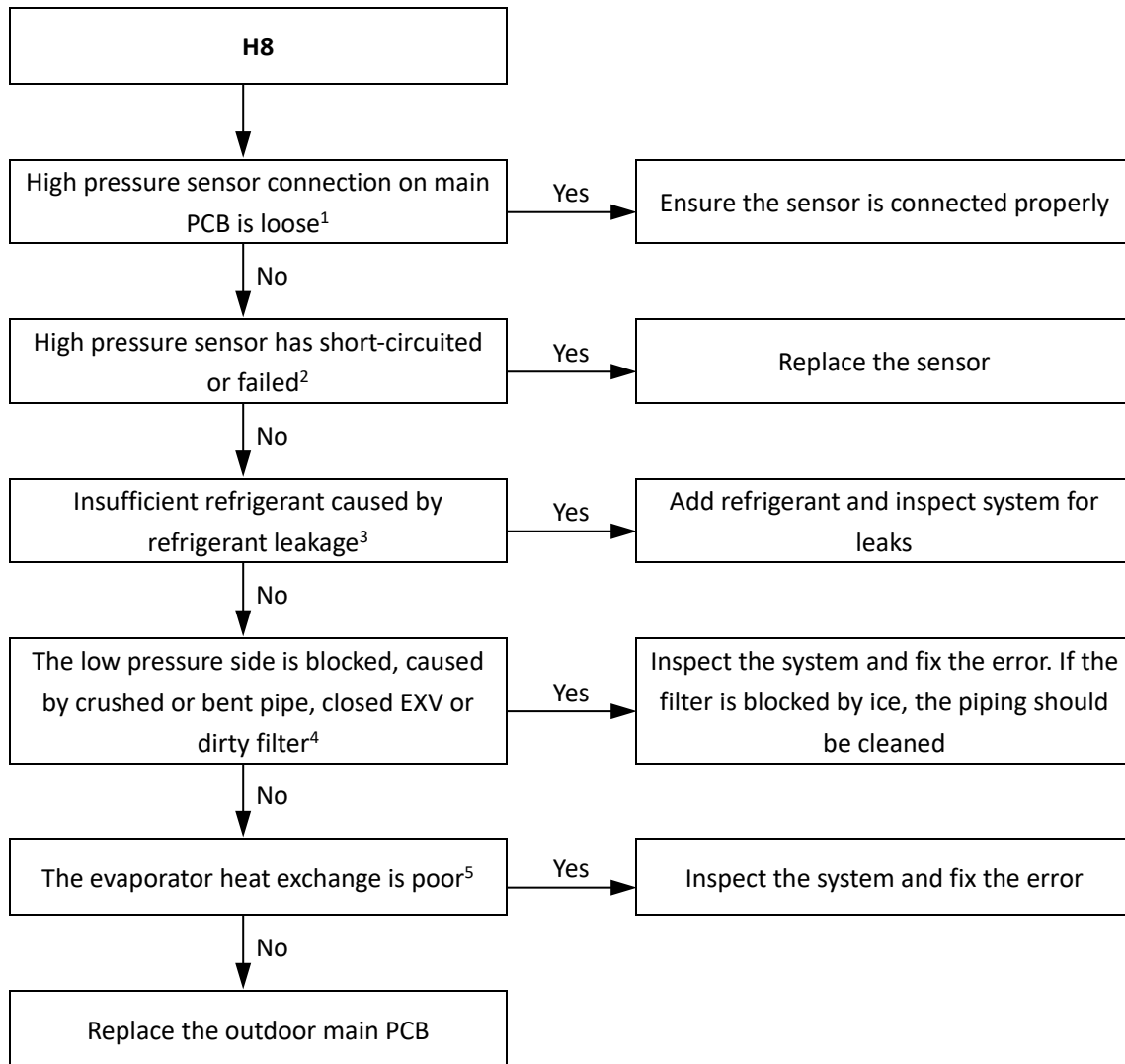
2.14.3 Trigger / recover condition

- Trigger condition: Discharge pressure \leq 0.3MPa.
- Recover condition: Discharge pressure $>$ 0.3MPa.
- Reset method: Resume automatically.

2.14.4 Possible causes

- Pressure sensor not connected properly or has malfunctioned.
- Insufficient refrigerant.
- Low pressure side blockage.
- Poor evaporator heat exchange.
- Main PCB damaged.

2.14.5 Procedure

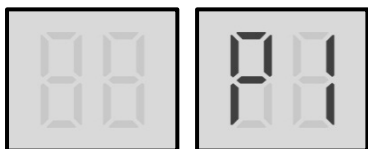


Notes:

1. High pressure sensor connection is port CN17 on the main PCB (labeled 7 in Figure 5-2.1 in Part 5, 2.1 "Ports").
2. Measure the resistance among the three terminals of the pressure sensor. If the resistance is of the order of mega Ohms or infinite, the pressure sensor has failed.
3. An insufficiency of refrigerant causes compressor discharge temperature to be higher than normal, discharge and suction pressures to be lower than normal and compressor current to be lower than normal, and may cause frosting to occur on the suction pipe. These issues disappear once sufficient refrigerant has been charged into the system. For normal system parameters refer to Table 6-3.4 and 6-3.5 in Part 6, 3.2 "Normal Operating Parameters of Refrigerant System".
4. A low pressure side blockage causes compressor discharge temperature to be higher than normal, suction pressure to be lower than normal and compressor current to be lower than normal, and may cause frosting to occur on the suction pipe. For normal system parameters refer to Table 6-3.4 and 6-3.5 in Part 6, 3.2 "Normal Operating Parameters of Refrigerant System".
5. In cooling mode check indoor heat exchangers, fans and air outlets for dirt/blockages. In heating mode check outdoor heat exchangers, fans and air outlets for dirt/blockages.

2.15 P1: Discharge pipe high pressure protection

2.15.1 Digital display output



2.15.2 Description

- Discharge pipe high pressure protection. If the system has a 3-phase protector and the 3-phase protector is connected with the high pressure switch, the system will display P1 protection when initially powered on, and P1 protection will disappear once the system reaches a steady state.
- All units stop running.
- Error code is only displayed on the unit with the error.

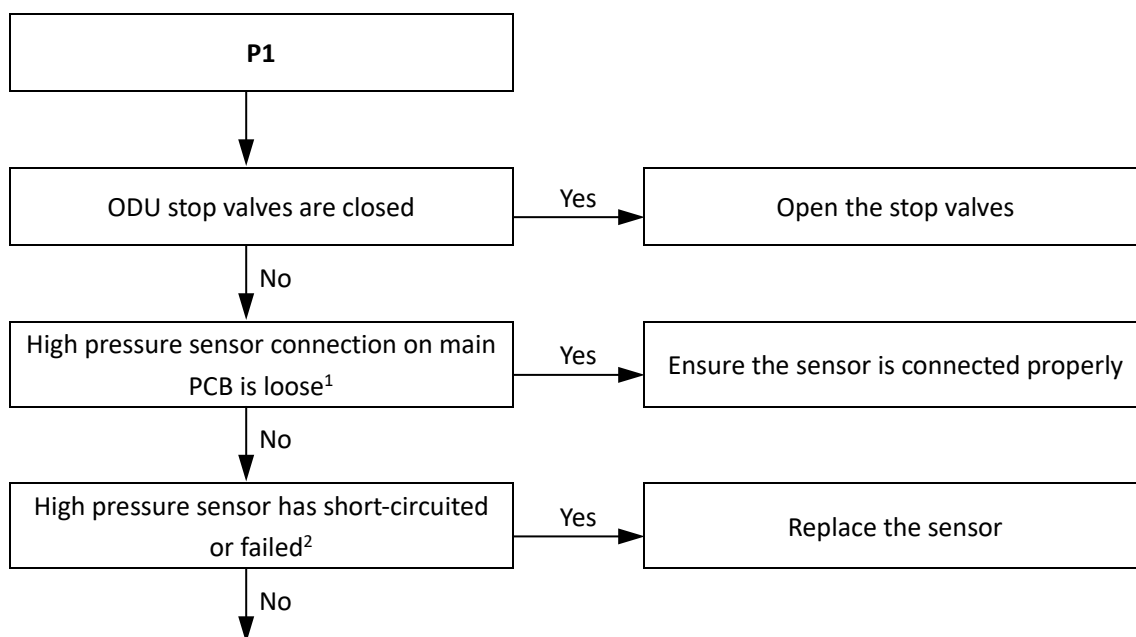
2.15.3 Trigger / recover condition

- Trigger condition: Discharge pressure ≥ 4.4 MPa.
- Recover condition: Discharge pressure ≤ 3.2 MPa.
- Reset method: Resume automatically.

2.15.4 Possible causes

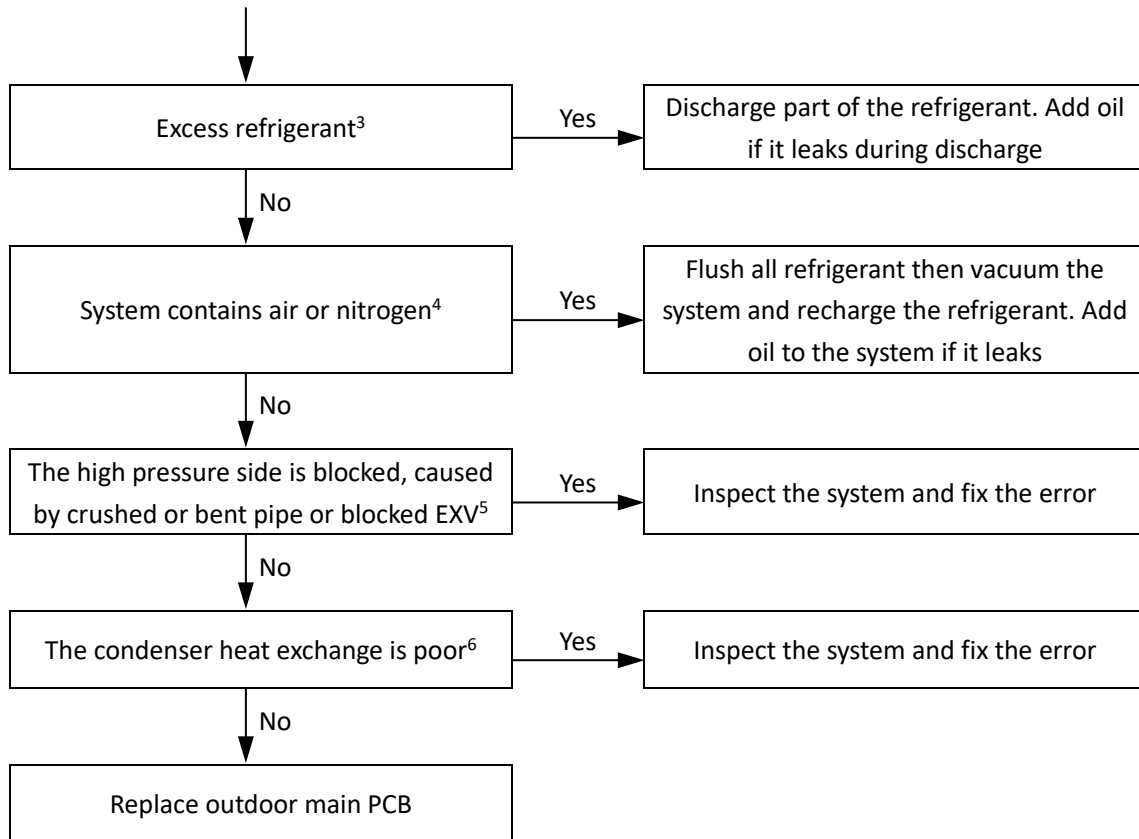
- Outdoor unit stop valves are closed.
- Pressure sensor/switch not connected properly or has malfunctioned.
- Excess refrigerant.
- System contains air or nitrogen.
- High pressure side blockage.
- Poor condenser heat exchange.
- Main PCB damaged.

2.15.5 Procedure



Flowchart continued on next page ...

... flowchart continued from previous page

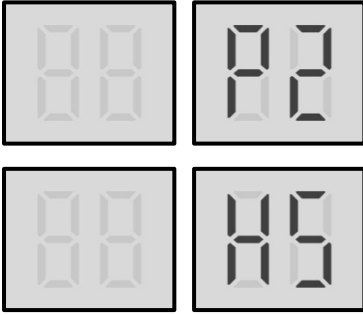


Notes:

1. The high pressure sensor connection is port CN17 on the main PCB (labeled 7 in Figure 5-2.1 in Part 5, 2.1 "Ports").
2. Measure the resistance among the three terminals of the pressure sensor. If the resistance is of the order of mega Ohms or infinite, the pressure sensor has failed.
3. Excess refrigerant causes discharge temperature to be lower than normal, discharge pressure to be higher than normal and suction pressure to be higher than normal. For normal system parameters refer to Table 6-3.4 and 6-3.5 in Part 6, 3.2 "Normal Operating Parameters of Refrigerant System".
4. Air or nitrogen in the system causes discharge temperature to be higher than normal, discharge pressure to be higher than normal, compressor current to be higher than normal, abnormal compressor noise and an unsteady pressure meter reading. For normal system parameters refer to Table 6-3.4 and 6-3.5 in Part 6, 3.2 "Normal Operating Parameters of Refrigerant System".
5. High pressure side blockage causes discharge temperature to be higher than normal, discharge pressure to be higher than normal and suction pressure to be lower than normal. For normal system parameters refer to Table 6-3.4 and 6-3.5 in Part 6, 3.2 "Normal Operating Parameters of Refrigerant System".
6. In cooling mode check outdoor heat exchangers, fans and air outlets for dirt/blockages. In heating mode check indoor heat exchangers, fans and air outlets for dirt/blockages.

2.16 P2, H5: Suction pipe low pressure protection

2.16.1 Digital display output



2.16.2 Description

- Suction pipe low pressure protection. If the system has a 3-phase protector and the 3-phase protector is connected to the low pressure switch, the system will display P2 protection when initially powered on, and P2 protection will disappear once the system reaches a steady state.
- All units stop running.
- Error code is only displayed on the unit with the error.

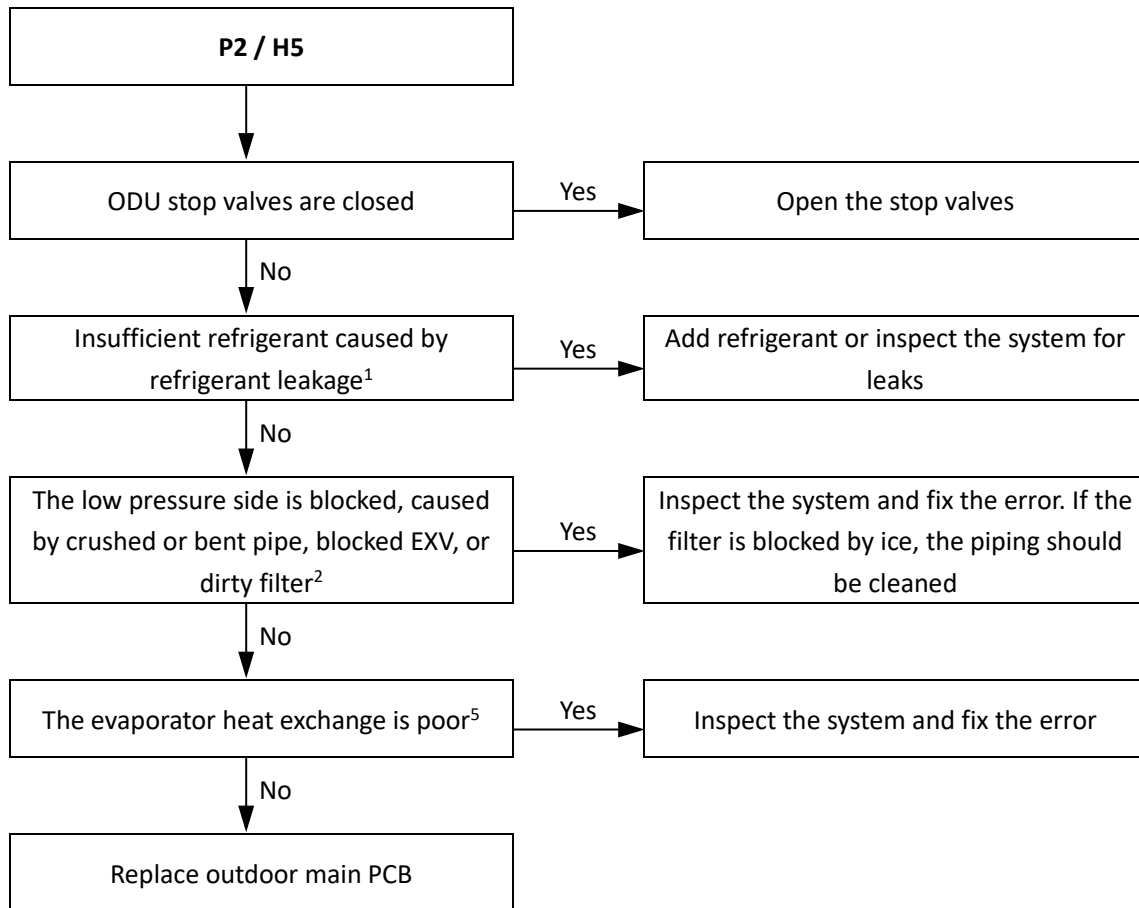
2.16.3 Trigger / recover condition

- Trigger condition:
 - For P2 protection: Suction pressure $\leq 0.05\text{MPa}$.
 - For H5 protection: P2 protection appears three times in 60 minutes.
- Recover condition: Suction pressure $\geq 0.15\text{MPa}$.
- Reset method:
 - For P2 protection: Resume automatically.
 - For H5 protection: Manually restart.

2.16.4 Possible causes

- Outdoor unit stop valves are closed.
- Insufficient refrigerant.
- Low pressure side blockage.
- Poor evaporator heat exchange.
- Main PCB damaged.

2.16.5 Procedure

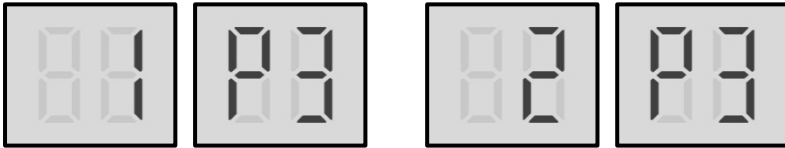


Notes: ☐

1. An insufficiency of refrigerant causes compressor discharge temperature to be higher than normal, discharge and suction pressures to be lower than normal and compressor current to be lower than normal, and may cause frosting to occur on the suction pipe. These issues disappear once sufficient refrigerant has been charged into the system. For normal system parameters refer to Table 6-3.4 and 6-3.5 in Part 6, 3.2 "Normal Operating Parameters of Refrigerant System".
2. A low pressure side blockage causes compressor discharge temperature to be higher than normal, suction pressure to be lower than normal and compressor current to be lower than normal, and may cause frosting to occur on the suction pipe. For normal system parameters refer to Table 6-3.4 and 6-3.5 in Part 6, 3.2 "Normal Operating Parameters of Refrigerant System".
3. In cooling mode check indoor heat exchangers, fans and air outlets for dirt/blockages. In heating mode check outdoor heat exchangers, fans and air outlets for dirt/blockages.

2.17 xP3: Compressor current protection

2.17.1 Digital display output



'x' is a placeholder for the compressor system (compressor and related electrical components), with 1 representing compressor system A and 2 representing compressor system B.

2.17.2 Description

- 1P3 indicates current protection on compressor A; 2P3 indicates current protection on compressor B.
- All units stop running.
- Error code is only displayed on the unit with the error.

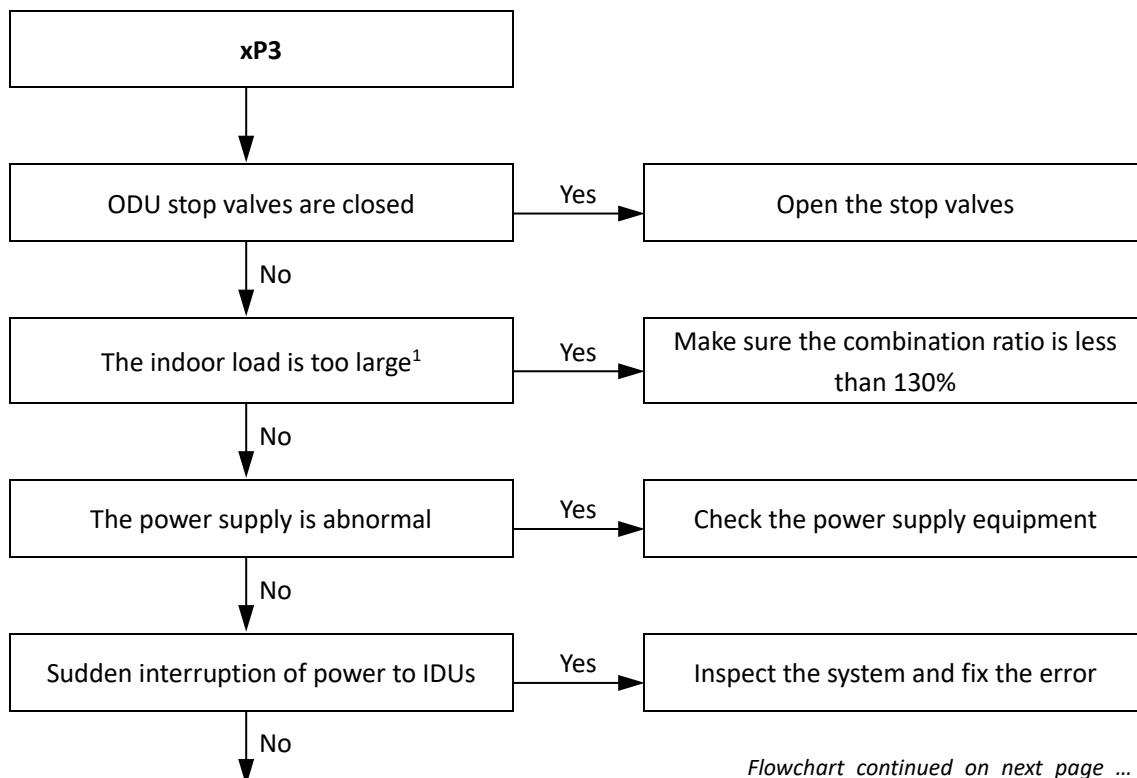
2.17.3 Trigger / recover condition

- Trigger condition: Current of compressor AA55PHDG –D1YG $\geq 24.6A$ or DC80PHDG –D1YG $\geq 33A$.
- Recover condition: Current of compressor AA55PHDG –D1YG $< 24.6A$ or DC80PHDG –D1YG $< 33A$.
- Reset method: Resume automatically.

2.17.4 Possible causes

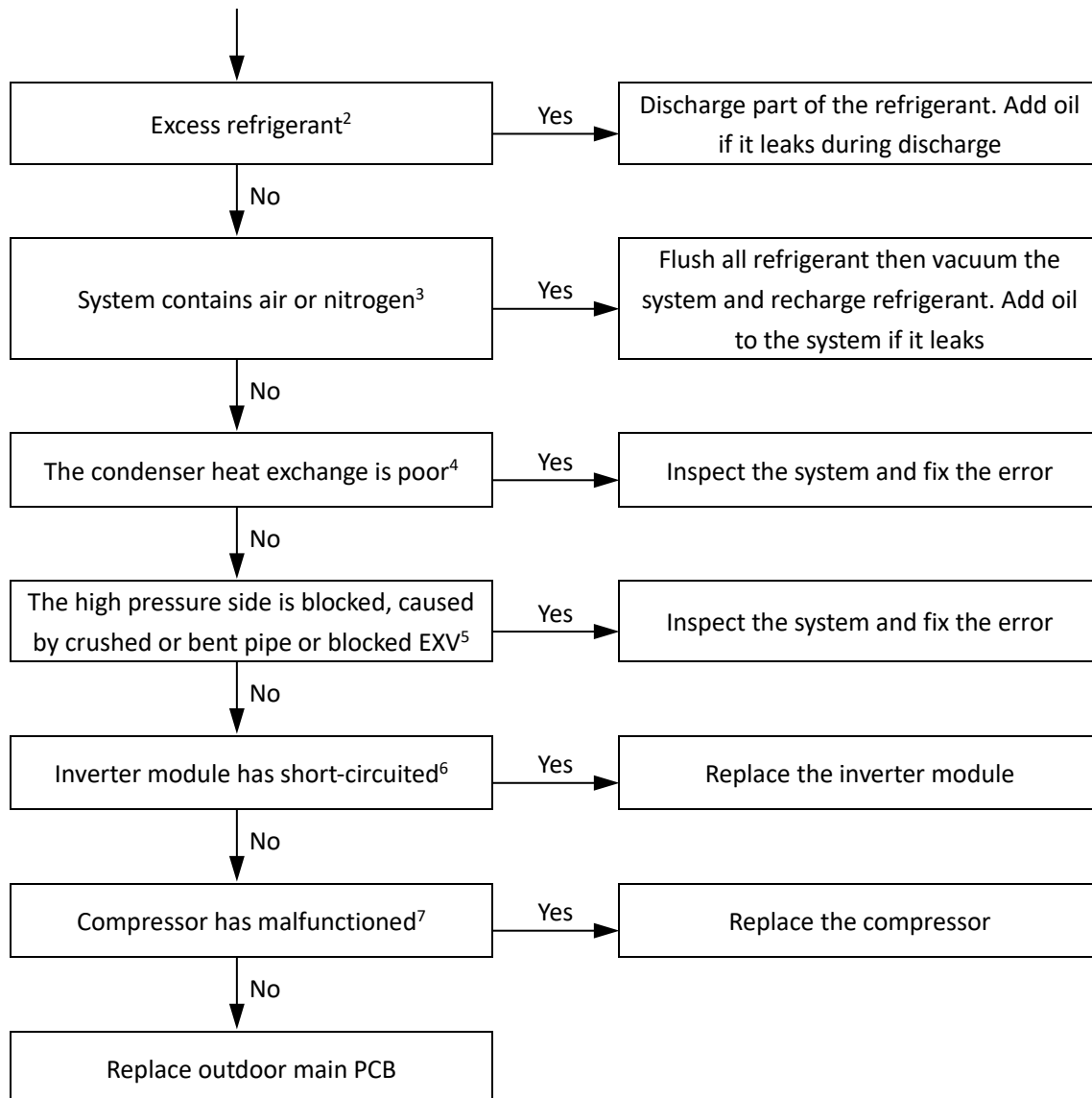
- Outdoor unit stop valves are closed.
- Indoor load too large.
- Power supply abnormal.
- Sudden interruption of power to IDUs.
- Excess refrigerant.
- System contains air or nitrogen.
- Poor condenser heat exchange.
- High pressure side blockage.
- Inverter module damaged.
- Compressor damaged.
- Main PCB damaged.

2.17.5 Procedure



Flowchart continued on next page ...

... flowchart continued from previous page

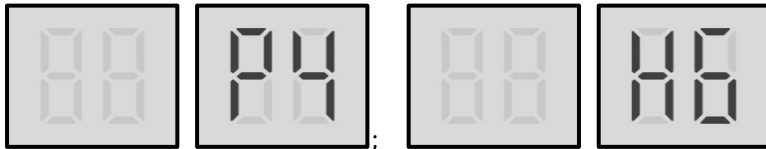


Notes:

1. An indoor load that is too large causes suction and discharge temperatures to be higher than normal. For normal system parameters refer to Table 6-3.4 and 6-3.5 in Part 6, 3.2 "Normal Operating Parameters of Refrigerant System".
2. Excess refrigerant causes discharge temperature to be lower than normal, discharge pressure to be higher than normal and suction pressure to be higher than normal. For normal system parameters refer to Table 6-3.4 and 6-3.5 in Part 6, 3.2 "Normal Operating Parameters of Refrigerant System".
3. Air or nitrogen in the system causes discharge temperature to be higher than normal, discharge pressure to be higher than normal, compressor current to be higher than normal, abnormal compressor noise and an unsteady pressure meter reading. For normal system parameters refer to Table 6-3.4 and 6-3.5 in Part 6, 3.2 "Normal Operating Parameters of Refrigerant System".
4. In cooling mode check outdoor heat exchangers, fans and air outlets for dirt/blockages. In heating mode check indoor heat exchangers, fans and air outlets for dirt/blockages.
5. High pressure side blockage causes discharge temperature to be higher than normal, discharge pressure to be higher than normal and suction pressure to be lower than normal. For normal system parameters refer to Table 6-3.4 and 6-3.5 in Part 6, 3.2 "Normal Operating Parameters of Refrigerant System".
6. Set a multi-meter to buzzer mode and test any two terminals of P N U V W of the inverter module. If the buzzer sounds, the inverter module has short-circuited.
7. The normal resistances of the inverter compressor are 0.7-1.5Ω among U V W and infinite between each of U V W and ground. If any of the resistances differ from these specifications, the compressor has malfunctioned.

2.18 P4, H6: Discharge temperature protection

2.18.1 Digital display output



2.18.2 Description

- Discharge temperature protection.
- All units stop running.
- Error code is only displayed on the unit with the error.

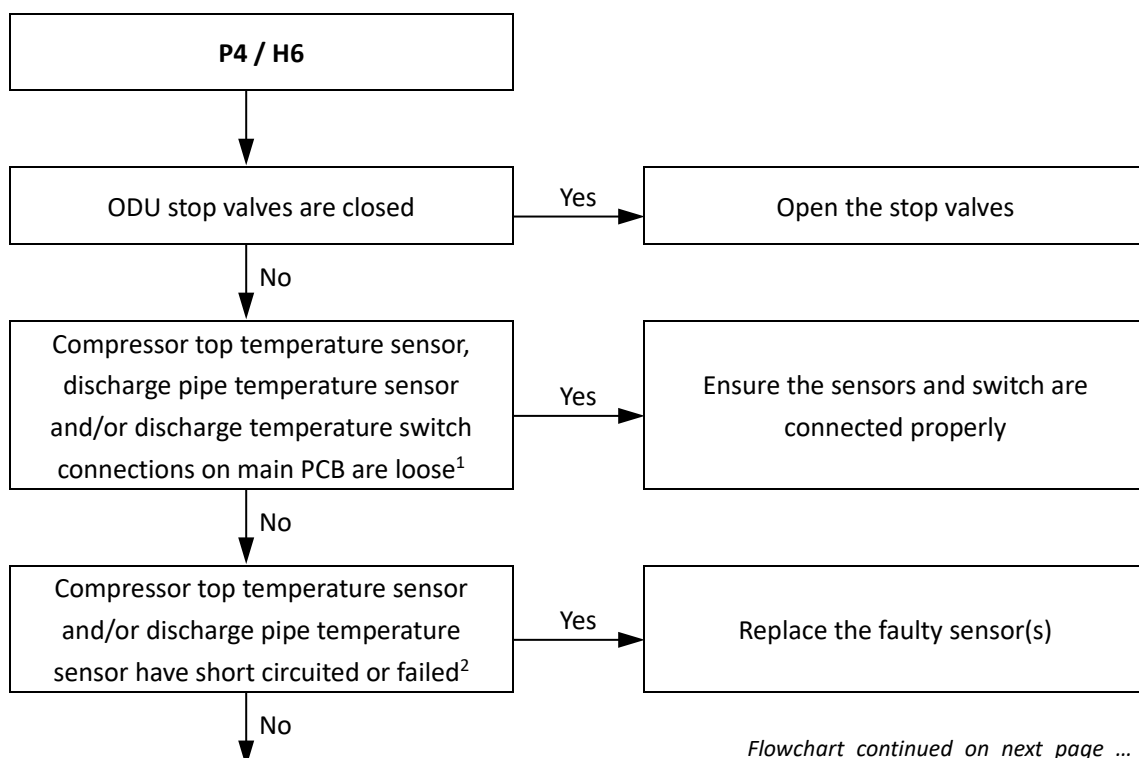
2.18.3 Trigger / recover condition

- Trigger condition:
 - For P4 protection: Discharge temperature ($T_{7C1/2}$) $\geq 120^{\circ}\text{C}$.
 - For H6 protection: P4 protection appears three times in 100 minutes.
- Recover condition: Discharge temperature ($T_{7C1/2}$) $\leq 90^{\circ}\text{C}$.
- Reset method:
 - For P4 protection: Resume automatically.
 - For H6 protection: Manually restart.

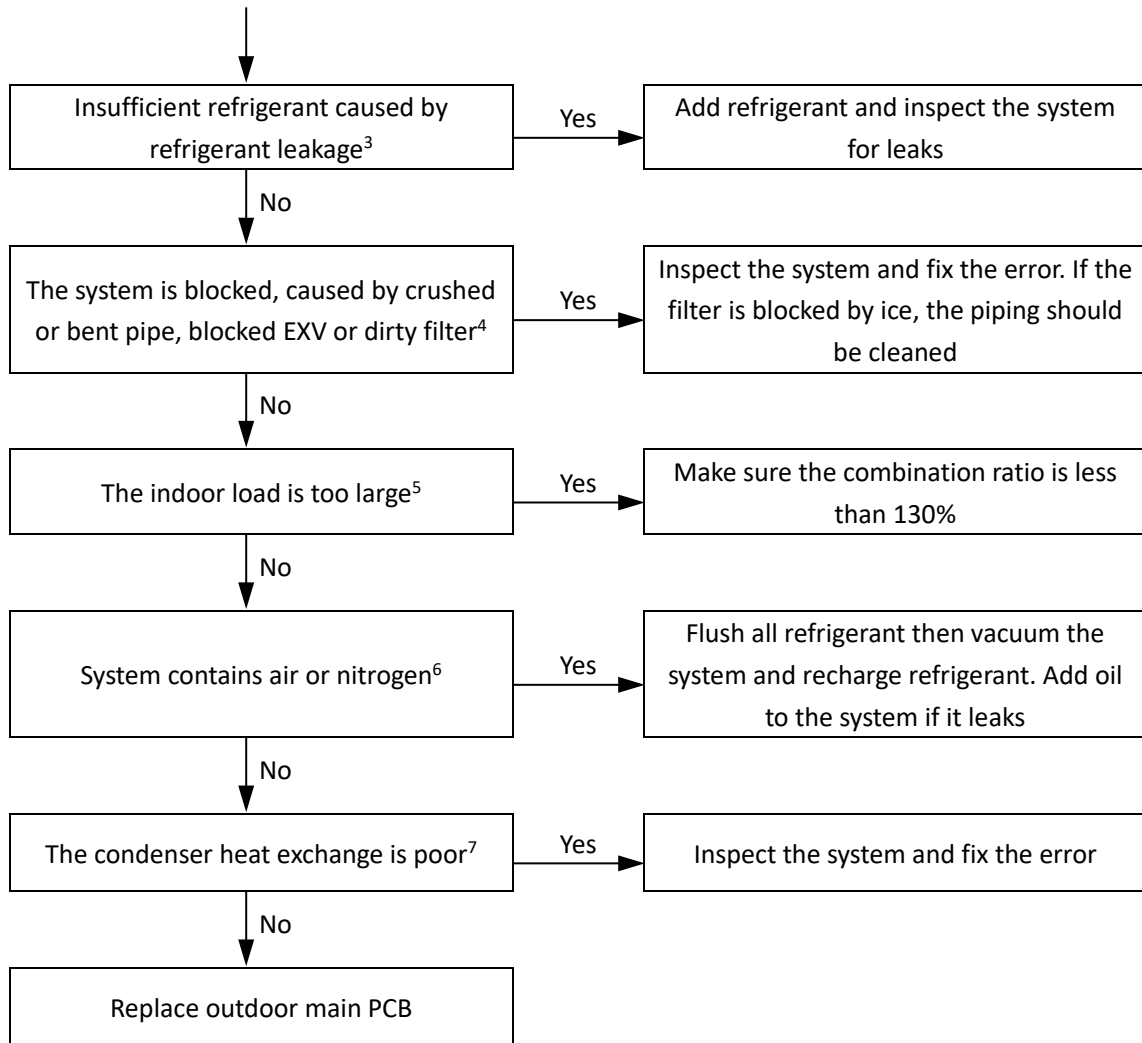
2.18.4 Possible causes

- Outdoor unit stop valves are closed.
- Temperature sensor/switch not connected properly or has malfunctioned.
- Insufficient refrigerant.
- System blockage.
- Indoor load too large.
- System contains air or nitrogen.
- Poor condenser heat exchange.
- Main PCB damaged.

2.18.5 Procedure



... flowchart continued from previous page

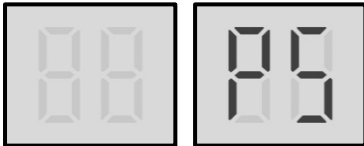


Notes:

1. Compressor top temperature sensor and discharge pipe temperature sensor connections are ports CN4 and CN5 on the main PCB (labeled 3 and 4, respectively, in Figure 5-2.1 in Part 5, 2.1 "Ports"). The discharge temperature switch connection is port CN18 on the main PCB (labeled 2 in Figure 5-2.1 in Part 5, 2.1 "Ports").
2. Measure sensor resistance. If the resistance is too low, the sensor has short-circuited. If the resistance is not consistent with the sensor's resistance characteristics table, the sensor has failed. Refer to Table 6-3.2 in Part 6, 3.1 "Temperature Sensor Resistance Characteristics".
3. An insufficiency of refrigerant causes compressor discharge temperature to be higher than normal, discharge and suction pressures to be lower than normal and compressor current to be lower than normal, and may cause frosting to occur on the suction pipe. These issues disappear once sufficient refrigerant has been charged into the system. For normal system parameters refer to Table 6-3.4 and 6-3.5 in Part 6, 3.2 "Normal Operating Parameters of Refrigerant System".
4. A low pressure side blockage causes compressor discharge temperature to be higher than normal, suction pressure to be lower than normal and compressor current to be lower than normal, and may cause frosting to occur on the suction pipe. For normal system parameters refer to Table 6-3.4 and 6-3.5 in Part 6, 3.2 "Normal Operating Parameters of Refrigerant System".
5. An indoor load that is too large causes suction and discharge temperatures to be higher than normal. For normal system parameters refer to Table 6-3.4 and 6-3.5 in Part 6, 3.2 "Normal Operating Parameters of Refrigerant System".
6. Air or nitrogen in the system causes discharge temperature to be higher than normal, discharge pressure to be higher than normal, compressor current to be higher than normal, abnormal compressor noise and an unsteady pressure meter reading. For normal system parameters refer to Table 6-3.4 and 6-3.5 in Part 6, 3.2 "Normal Operating Parameters of Refrigerant System".
7. In cooling mode check outdoor heat exchangers, fans and air outlets for dirt/blockages. In heating mode check indoor heat exchangers, fans and air outlets for dirt/blockages.

2.19 P5: Outdoor heat exchanger temperature protection

2.19.1 Digital display output



2.19.2 Description

- Outdoor heat exchanger temperature protection.
- All units stop running.
- Error code is only displayed on the unit with the error.

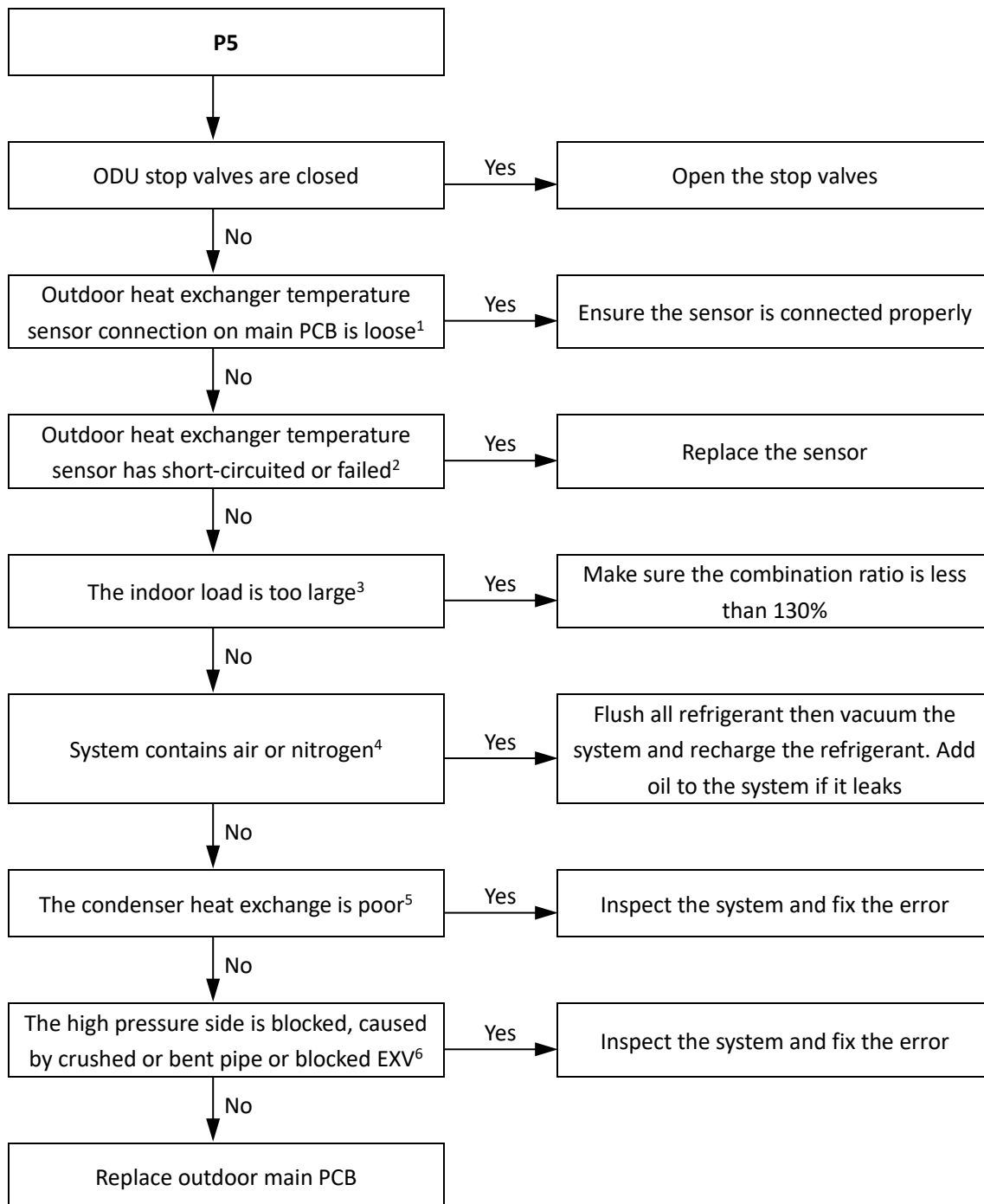
2.19.3 Trigger / recover condition

- Trigger condition: Outdoor heat exchanger temperature (T3) $\geq 65^{\circ}\text{C}$.
- Recover condition: Outdoor heat exchanger temperature (T3) $< 55^{\circ}\text{C}$.
- Reset method: Resume automatically.

2.19.4 Possible causes

- Outdoor unit stop valves are closed.
- Temperature sensor not connected properly or has malfunctioned.
- Indoor load too large.
- System contains air or nitrogen.
- Poor condenser heat exchange.
- High pressure side blockage.
- Main PCB damaged.

2.19.5 Procedure

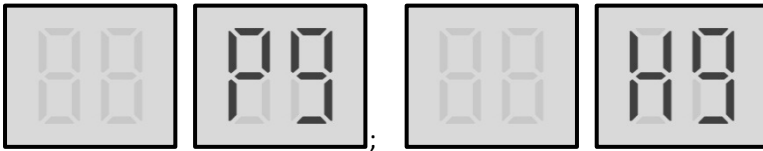


Notes:

1. Outdoor heat exchanger temperature sensor connection is port CN1 on the main PCB (labeled 11 in Figure 5-2.1 in Part 5, 2.1 "Ports").
2. Measure sensor resistance. If the resistance is too low, the sensor has short-circuited. If the resistance is not consistent with the sensor's resistance characteristics table, the sensor has failed. Refer to Table 6-3.1 in Part 6, 3.1 "Temperature Sensor Resistance Characteristics"
3. An indoor load that is too large causes suction and discharge temperatures to be higher than normal. For normal system parameters refer to Table 6-3.4 and 6-3.5 in Part 6, 3.2 "Normal Operating Parameters of Refrigerant System".
4. Air or nitrogen in the system causes discharge temperature to be higher than normal, discharge pressure to be higher than normal, compressor current to be higher than normal, abnormal compressor noise and an unsteady pressure meter reading. For normal system parameters refer to Table 6-3.4 and 6-3.5 in Part 6, 3.2 "Normal Operating Parameters of Refrigerant System".
5. In cooling mode check outdoor heat exchangers, fans and air outlets for dirt/blockages. In heating mode check indoor heat exchangers, fans and air outlets for dirt/blockages.
6. High pressure side blockage causes discharge temperature to be higher than normal, discharge pressure to be higher than normal and suction pressure to be lower than normal. For normal system parameters refer to Table 6-3.4 and 6-3.5 in Part 6, 3.2 "Normal Operating Parameters of Refrigerant System".

2.20 P9, H9: Fan module protection

2.20.1 Digital display output



2.20.2 Description

- Fan module protection.
- All units stop running.
- Error code is only displayed on the unit with the error.

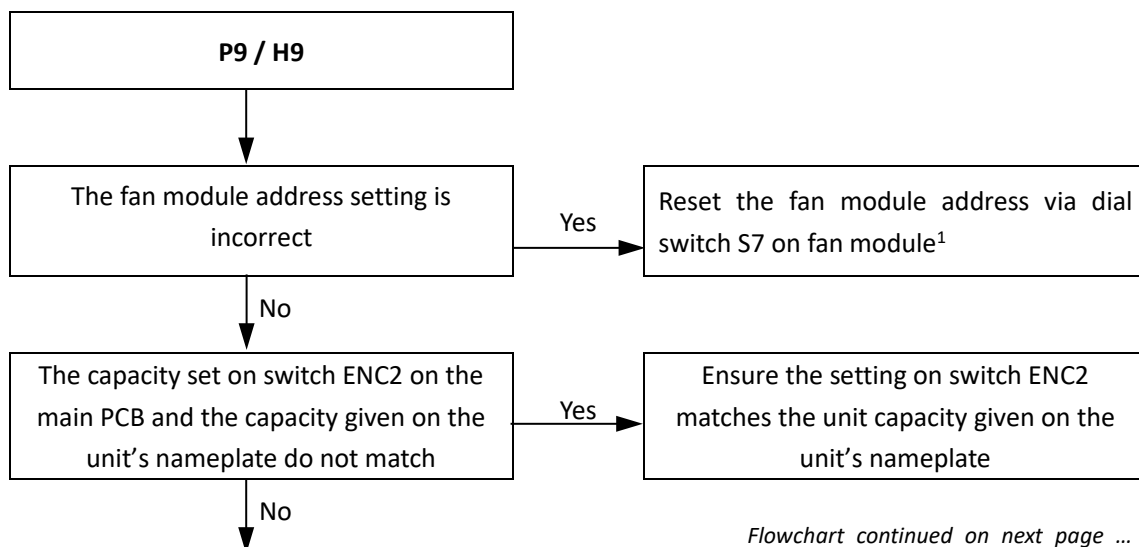
2.20.3 Trigger / recover condition

- Trigger condition:
For P9 protection: Fan speed is too low.
For H9 protection: P9 protection appears ten times in 120 minutes.
- Recover condition: Fan speed go back to normal.
- Reset method:
For P9 protection: Resume automatically; For H9 protection: Manually restart.

2.20.4 Possible causes

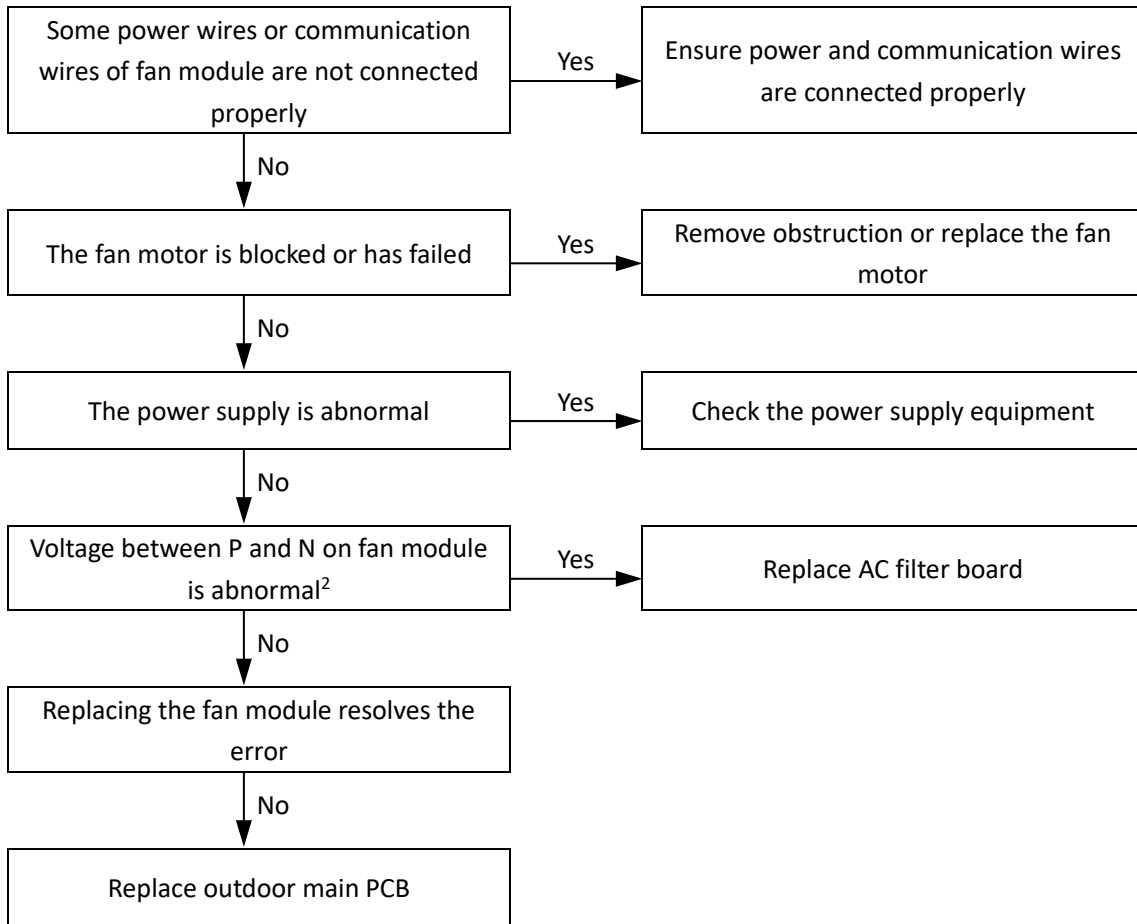
- Incorrect fan module address setting.
- Switch ENC2 incorrectly set.
- Power or communication wires not connected properly.
- Fan motor blocked or has failed.
- Power supply abnormal.
- AC filter board damaged.
- Fan module damaged.
- Main PCB damaged.

2.20.5 Procedure





Flowchart continued on next page ...

... flowchart continued from previous page



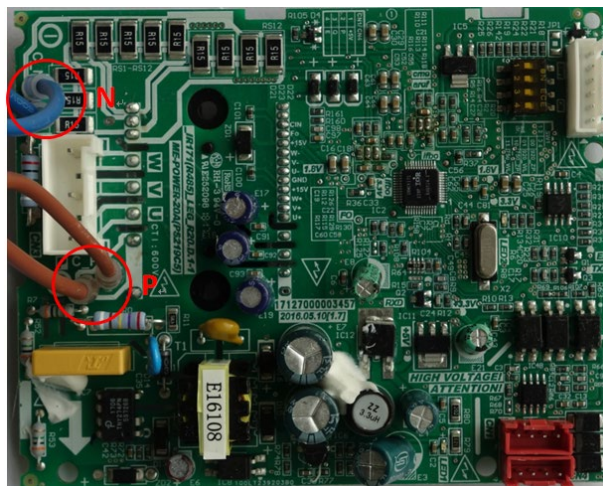
Notes:

1. Fan module address is set through dial switch S7 on the fan module. The fan module location refers to the wiring diagram.

S7 on fan module	Fan module address
	1 for master fan module
	2 for slave fan module

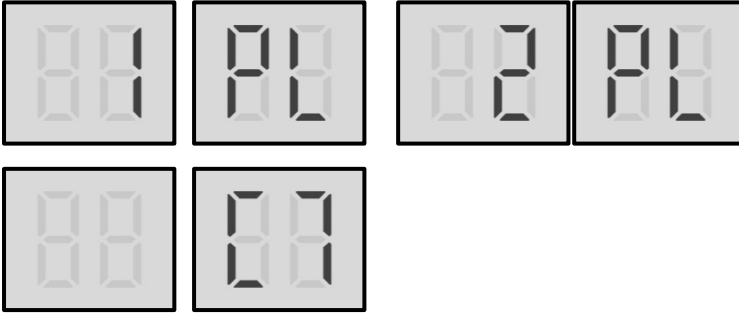
2. The normal voltage between P and N on the fan module is 310V DC.

Figure 6-2.12: Fan module P N terminals



2.21 PL, C7: Inverter module temperature protection

2.21.1 Digital display output



'x' is a placeholder for the compressor system (compressor and related electrical components), with 1 representing compressor system A and 2 representing compressor system B.

2.21.2 Description

- 1PL indicates inverter module A temperature protection.
- 2PL indicates inverter module B temperature protection.
- All units stop running.
- Error code is only displayed on the unit with the error.

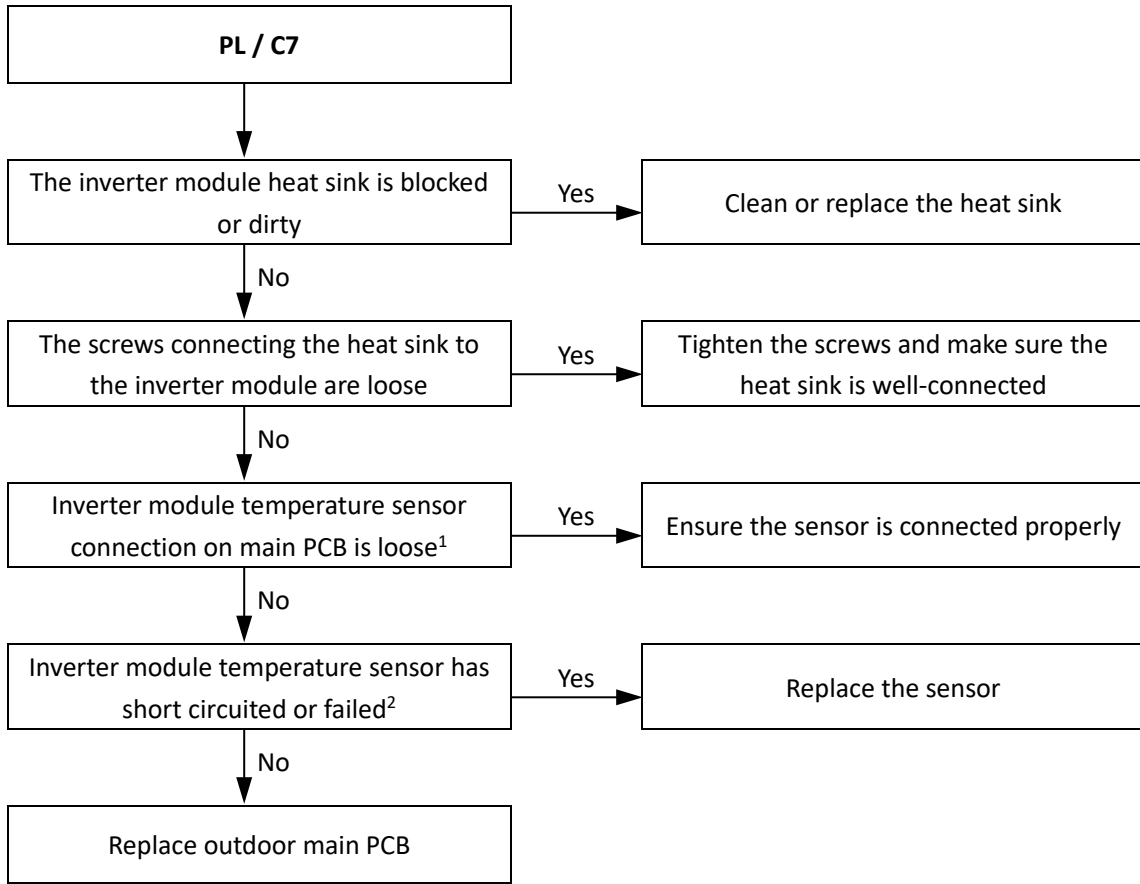
2.21.3 Trigger / recover condition

- Trigger condition:
 - For PL protection: Inverter module heat sink temperature (TF1/2) $\geq 80^{\circ}\text{C}$.
 - For C7 protection: PL protection appears three times in 100 minutes.
- Recover condition: Inverter module heat sink temperature (TF1/2) $< 65^{\circ}\text{C}$
- Reset method:
 - For PL protection: Resume automatically.
 - For C7 protection: Manually restart.

2.21.4 Possible causes

- Blocked, dirty or loose heat sink.
- Temperature sensor not connected properly or has malfunctioned.
- Main PCB damaged.

2.21.5 Procedure

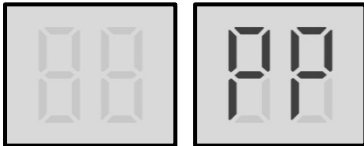


Notes:

1. Inverter module temperature sensor connection is port CN3 and CN3_1 on the main PCB (labeled 5 and 6, respectively, in Figure 5-2.1 in Part 5, 2.1 "Ports").
2. Measure sensor resistance. If the resistance is too low, the sensor has short-circuited. If the resistance is not consistent with the sensor's resistance characteristics table, the sensor has failed. Refer to Table 6-3.3 in Part 6, 3.1 "Temperature Sensor Resistance Characteristics".

2.22 PP: Compressor discharge insufficient superheat protection

2.22.1 Digital display output



2.22.2 Description

- Compressor discharge insufficient superheat protection.
- All units stop running.
- Error code is only displayed on the unit with the error.

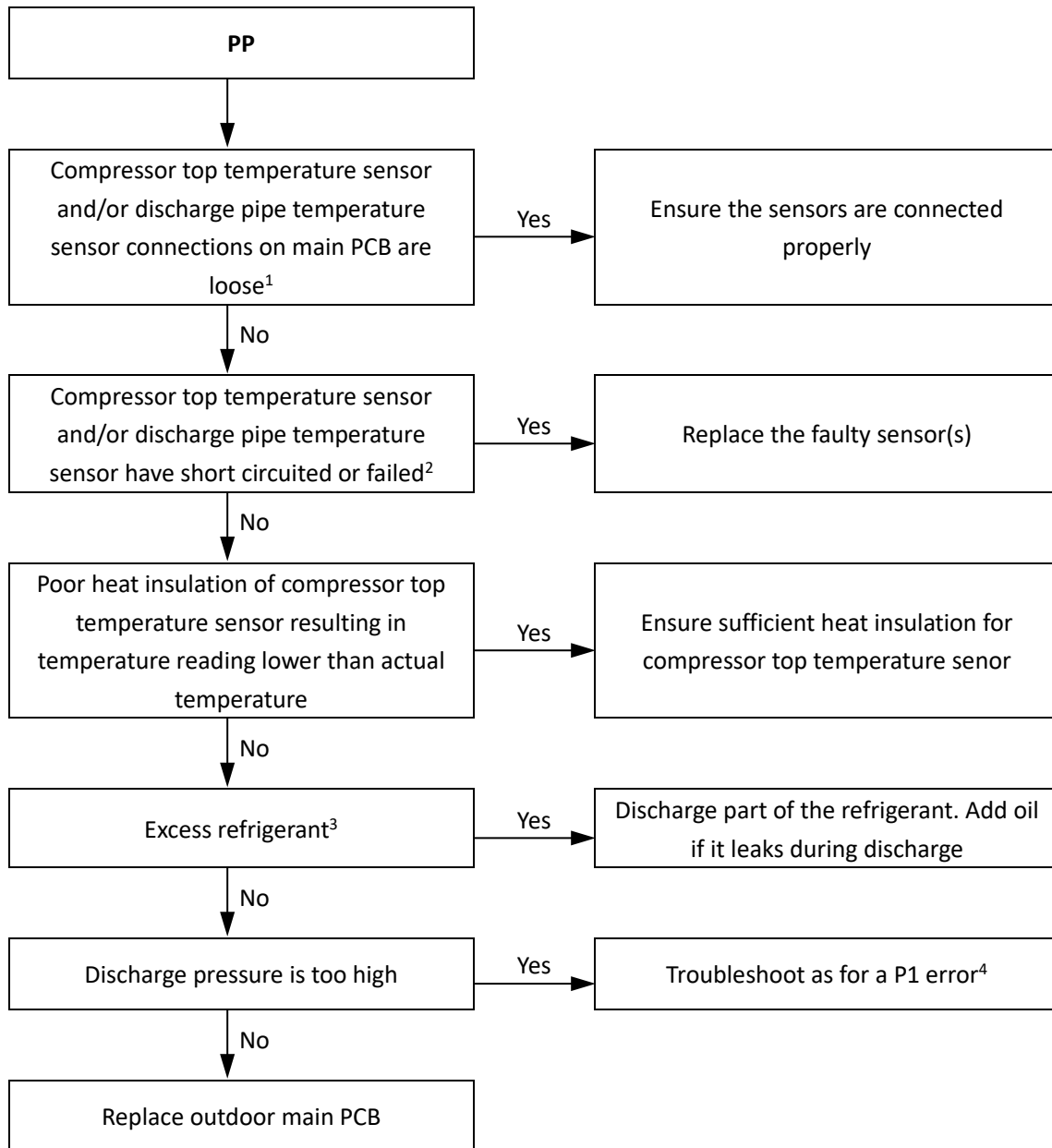
2.22.3 Trigger / recover condition

- Trigger condition: Discharge gas superheat is $\leq 0^{\circ}\text{C}$ for 20 minutes or $\leq 5^{\circ}\text{C}$ for 60 minutes.
- Recover condition: Discharge gas superheat go back to normal value.
- Reset method: Resume automatically.

2.22.4 Possible causes

- Temperature sensor not connected properly or has malfunctioned.
- Poor temperature sensor heat insulation.
- Excess refrigerant.
- Discharge pressure too high.
- Main PCB damaged.

2.22.5 Procedure



Notes:

1. Compressor top temperature sensor and discharge pipe temperature sensor connections are ports CN4 and CN5 on the main PCB (labeled 3 and 4, respectively, in Figure 5-2.1 in Part 5, 2.1 "Ports").
2. Measure sensor resistance. If the resistance is too low, the sensor has short-circuited. If the resistance is not consistent with the sensor's resistance characteristics table, the sensor has failed. Refer to Table 6-3.2 in Part 6, 3.1 "Temperature Sensor Resistance Characteristics".
3. Excess refrigerant causes discharge temperature to be lower than normal, discharge pressure to be higher than normal and suction pressure to be higher than normal. For normal system parameters refer to Table 6-3.4 and 6-3.5 in Part 6, 3.2 "Normal Operating Parameters of Refrigerant System".
4. See "P1 Troubleshooting".

3 Appendix to Part 6

3.1 Temperature Sensor Resistance Characteristics

Table 6-3.1: Outdoor ambient temperature sensor and outdoor heat exchanger temperature sensor resistance characteristics

Temperature (°C)	Resistance (kΩ)	Temperature (°C)	Resistance (kΩ)	Temperature (°C)	Resistance (kΩ)	Temperature (°C)	Resistance (kΩ)
-20	115.3	20	12.64	60	2.358	100	0.6297
-19	108.1	21	12.06	61	2.272	101	0.6115
-18	101.5	22	11.50	62	2.191	102	0.5939
-17	96.34	23	10.97	63	2.112	103	0.5768
-16	89.59	24	10.47	64	2.037	104	0.5604
-15	84.22	25	10.00	65	1.965	105	0.5445
-14	79.31	26	9.551	66	1.896	106	0.5291
-13	74.54	27	9.124	67	1.830	107	0.5143
-12	70.17	28	8.720	68	1.766	108	0.4999
-11	66.09	29	8.336	69	1.705	109	0.4860
-10	62.28	30	7.971	70	1.647	110	0.4726
-9	58.71	31	7.624	71	1.591	111	0.4596
-8	56.37	32	7.295	72	1.537	112	0.4470
-7	52.24	33	6.981	73	1.485	113	0.4348
-6	49.32	34	6.684	74	1.435	114	0.4230
-5	46.57	35	6.400	75	1.387	115	0.4116
-4	44.00	36	6.131	76	1.341	116	0.4006
-3	41.59	37	5.874	77	1.291	117	0.3899
-2	39.82	38	5.630	78	1.254	118	0.3796
-1	37.20	39	5.397	79	1.2133	119	0.3695
0	35.20	40	5.175	80	1.174	120	0.3598
1	33.33	41	4.964	81	1.136	121	0.3504
2	31.56	42	4.763	82	1.100	122	0.3413
3	29.91	43	4.571	83	1.064	123	0.3325
4	28.35	44	4.387	84	1.031	124	0.3239
5	26.88	45	4.213	85	0.9982	125	0.3156
6	25.50	46	4.046	86	0.9668	126	0.3075
7	24.19	47	3.887	87	0.9366	127	0.2997
8	22.57	48	3.735	88	0.9075	128	0.2922
9	21.81	49	3.590	89	0.8795	129	0.2848
10	20.72	50	3.451	90	0.8525	130	0.2777
11	19.69	51	3.318	91	0.8264	131	0.2708
12	18.72	52	3.192	92	0.8013	132	0.2641
13	17.80	53	3.071	93	0.7771	133	0.2576
14	16.93	54	2.959	94	0.7537	134	0.2513
15	16.12	55	2.844	95	0.7312	135	0.2451
16	15.34	56	2.738	96	0.7094	136	0.2392
17	14.62	57	2.637	97	0.6884	137	0.2334
18	13.92	58	2.540	98	0.6682	138	0.2278
19	13.26	59	2.447	99	0.6486	139	0.2223

Table 6-3.2: Compressor top temperature sensor and discharge pipe temperature sensor resistance characteristics

Temperature (°C)	Resistance (kΩ)	Temperature (°C)	Resistance (kΩ)	Temperature (°C)	Resistance (kΩ)	Temperature (°C)	Resistance (kΩ)
-20	542.7	20	68.66	60	13.59	100	3.702
-19	511.9	21	65.62	61	13.11	101	3.595
-18	483.0	22	62.73	62	12.65	102	3.492
-17	455.9	23	59.98	63	12.21	103	3.392
-16	430.5	24	57.37	64	11.79	104	3.296
-15	406.7	25	54.89	65	11.38	105	3.203
-14	384.3	26	52.53	66	10.99	106	3.113
-13	363.3	27	50.28	67	10.61	107	3.025
-12	343.6	28	48.14	68	10.25	108	2.941
-11	325.1	29	46.11	69	9.902	109	2.860
-10	307.7	30	44.17	70	9.569	110	2.781
-9	291.3	31	42.33	71	9.248	111	2.704
-8	275.9	32	40.57	72	8.940	112	2.630
-7	261.4	33	38.89	73	8.643	113	2.559
-6	247.8	34	37.30	74	8.358	114	2.489
-5	234.9	35	35.78	75	8.084	115	2.422
-4	222.8	36	34.32	76	7.820	116	2.357
-3	211.4	37	32.94	77	7.566	117	2.294
-2	200.7	38	31.62	78	7.321	118	2.233
-1	190.5	39	30.36	79	7.086	119	2.174
0	180.9	40	29.15	80	6.859	120	2.117
1	171.9	41	28.00	81	6.641	121	2.061
2	163.3	42	26.90	82	6.430	122	2.007
3	155.2	43	25.86	83	6.228	123	1.955
4	147.6	44	24.85	84	6.033	124	1.905
5	140.4	45	23.89	85	5.844	125	1.856
6	133.5	46	22.89	86	5.663	126	1.808
7	127.1	47	22.10	87	5.488	127	1.762
8	121.0	48	21.26	88	5.320	128	1.717
9	115.2	49	20.46	89	5.157	129	1.674
10	109.8	50	19.69	90	5.000	130	1.632
11	104.6	51	18.96	91	4.849		
12	99.69	52	18.26	92	4.703		
13	95.05	53	17.58	93	4.562		
14	90.66	54	16.94	94	4.426		
15	86.49	55	16.32	95	4.294		
16	82.54	56	15.73	96	4.167		
17	78.79	57	15.16	97	4.045		
18	75.24	58	14.62	98	3.927		
19	71.86	59	14.09	99	3.812		

Table 6-3.3: Inverter module temperature sensor resistance characteristics

Temperature (°C)	Resistance (kΩ)	Temperature (°C)	Resistance (kΩ)	Temperature (°C)	Resistance (kΩ)	Temperature (°C)	Resistance (kΩ)
-30	971.4	10	109.0	50	19.70	90	5.000
-29	912.8	11	103.9	51	18.97	91	4.855
-28	858.2	12	99.02	52	18.26	92	4.705
-27	807.3	13	94.44	53	17.59	93	4.566
-26	759.7	14	90.11	54	16.94	94	4.431
-25	715.3	15	86.00	55	16.32	95	4.301
-24	673.6	16	82.09	56	15.73	96	4.176
-23	634.7	17	78.38	57	15.16	97	4.055
-22	598.2	18	74.87	58	14.62	98	3.938
-21	564.1	19	71.53	59	14.10	99	3.825
-20	532.2	20	68.36	60	13.60	100	3.716
-19	502.2	21	65.34	61	13.12	101	3.613
-18	474.1	22	62.47	62	12.65	102	3.514
-17	447.7	23	59.75	63	12.22	103	3.418
-16	423.0	24	57.17	64	11.79	104	3.326
-15	399.8	25	54.71	65	11.39	105	3.235
-14	378.0	26	52.36	66	10.99	106	3.148
-13	357.5	27	50.13	67	10.62	107	3.063
-12	338.2	28	48.01	68	10.25	108	2.982
-11	320.1	29	45.99	69	9.909	109	2.902
-10	303.1	30	44.07	70	9.576	110	2.826
-9	287.1	31	42.23	71	9.253	111	2.747
-8	272.0	32	40.48	72	8.947	112	2.672
-7	257.8	33	38.81	73	8.646	113	2.599
-6	244.4	34	37.23	74	8.362	114	2.528
-5	231.9	35	35.71	75	8.089	115	2.460
-4	220.0	36	34.27	76	7.821	116	2.390
-3	208.7	37	32.89	77	7.569	117	2.322
-2	198.2	38	31.58	78	7.323	118	2.256
-1	188.2	39	30.33	79	7.088	119	2.193
0	178.8	40	29.13	80	6.858	120	2.132
1	169.9	41	27.98	81	6.640	121	2.073
2	161.5	42	26.89	82	6.432	122	2.017
3	153.6	43	25.85	83	6.230	123	1.962
4	146.1	44	24.85	84	6.033	124	1.910
5	139.1	45	23.90	85	5.847	125	1.859
6	132.3	46	22.98	86	5.667		
7	126.0	47	22.10	87	5.492		
8	120.0	48	21.26	88	5.322		
9	114.3	49	20.47	89	5.159		

3.2 Normal Operating Parameters of Refrigerant System

Under the following conditions, the operating parameters given in Tables 5-5.4 and 5-5.5 should be observed:

- The outdoor unit can detect all the indoor units.
- The number of indoor units displayed on DSP2 is steady and is equal to the actual number of indoor units installed.
- All stop valves are open and all indoor unit EXVs are connected to their unit's PCB.
- If the combination ratio is 100% or less, all the indoor units are currently running and if the combination ratio is more than 100%, indoor units with total capacity equal to the capacity of the outdoor unit are currently running.
- If the outdoor ambient temperature is high, the system is being run in cooling mode with the following settings: temperature 17°C; fan speed high.
- If the outdoor ambient temperature is low, the system is being run in heating mode with the following settings: temperature 30°C; fan speed high.
- The system has been running normally for more than 30 minutes.

Table 6-3.4: Outdoor unit cooling mode operating parameters

Outdoor ambient temperature	°C	< 10	10 to 26	26 to 31	31 to 41	> 41
Average discharge temperature	°C	60-76	62-78	65-82	67-92	69-92
Average discharge superheat	°C	17-30	17-33	17-34	17-36	10-32
Discharge pressure	MPa	2.3-2.8	2.3-2.8	2.4-3.6	2.6-3.8	3.1-4.2
Suction pressure	MPa	0.6-0.7	0.7-0.9	0.8-1.0	1.0-1.2	1.2-1.4
DC inverter compressor current	A	9-20	11-22	12-25	15-29	20-26

Table 6-3.5: Outdoor unit heating mode operating parameters

Outdoor ambient temperature	°C	< -10	-10 to 0	0 to 5	5 to 10	10 to 17	> 17
Average discharge temperature	°C	56-74	57-76	58-78	61-82	63-82	63-82
Average discharge superheat	°C	17-35	17-35	17-35	17-33	14-33	14-33
Discharge pressure	MPa	1.7-2.4	1.8-2.5	1.9-3.0	2.2-3.2	2.3-3.2	2.3-3.2
Suction pressure	MPa	1.4-1.6	1.5-1.7	1.6-2.2	1.8-2.6	1.8-2.6	2.0-2.4
DC inverter compressor current	A	11-25	13-27	12-28	11-28	11-25	15-20