



# Product Catalog

**7 @ D** (CLCBK Range) <sup>Á</sup>

## Flexible Air Handling Unit

CLCP 003 ~ 120

2000 ~ 120000CMH





# Introduction

Trane has been manufacturing air handling units throughout the world for the past 40 years. This proven worldwide experience enables us to develop a world class air handling unit, the new Quantum Climate Changer. Quantum Climate Changer is a combination of 4 key elements:

## 1. Globally Integrated Research and Development

A global marketing team comprising air handling specialist from Europe, Asia Pacific and China, Middle East, Africa and South America was formed to provide critical customer and market needs. A global design team comprising design specialist from the Trane Technology Center, USA, Trane Europe and the Trane Air Handling International Development Center in Asia was formed to develop new world class air handling technology.

## 2. World Class Manufacturing Facility

The Quantum Climate Changer manufacturing facility is certified to MS ISO 9001 and is one of the earliest American facilities certified to Demand Flow Technologies (DFT). DFT is a technology that takes quality to the people and the machines that produce the product. In addition, Total Quality Control methodology within DFT brings quality into the manufacturing process at the point where work is being performed, resulting in consistent product quality.

## 3. Performance Assurance and Commitment to Quality

Trane combines comprehensive performance certifications with thorough laboratory testing and manufacturing methods. Together, these elements assure that each Quantum Climate Changer operates predictably and reliably throughout the life of the unit.

## 4. Matching Technologies to Systems

The building industry is continuously evolving and the rate of change is accelerating. Technologies, economic, regulatory and environmental factors are very different now than there were just a few years ago, which will affect the application and installation of the HVAC systems. Recognizing this and utilizing the Trane worldwide air conditioning system experience, the Quantum Climate Changer was developed and packaged to suit most current air conditioning system application needs.

## 5. Purpose

The purpose of this catalogue is to help consulting engineers in the preliminary selection of the Quantum Climate Changer air handling units. Your regional Trane office will assist to provide a computerized selection to confirm or complete your preliminary selection. Where something more special is required, we have full technical support in our regional sales offices and at our factory where non-standard layouts and configurations can be designed to individual requirements.

## 6. AHRI 1350 Certified Ratings



AHRI1350 Casing Mechanical Performance	BKK CLCP 50mm Series
Deflection Rating Class	CD1
Air Leakage Rating Class	CL1
Thermal Transmittance Rating Class	With leakage CT1
	Without leakage CT1
Thermal Bridging Rating Class	CB1

Note: Certified in accordance with the AHRI Central Station Air-handling Unit Casing Certification Program, which is based on AHRI Standard 1350. Certified units may be found in the AHRI Directory at [www.ahrirectory.org](http://www.ahrirectory.org)

# Features and Benefits

## Ultra Low Leak Construction

Unique casing design with panel attached to the frame through a selflocking mechanism represented by a wedge and frame, exerting pressure evenly onto the panel and the seal attached to the frame, and hence a better air tight cabinet construction.

## Excellent Condensate Management

Dual pitched sloping drain pan allows for total condensate removal. A unique feature developed to prevent stagnant water in air handling units.

## Environmental Friendly Materials

High-grade aluminium frame is non-corrosive and is easily clean-able. All these features will further enhance indoor air quality.

## Design for Routine Cleaning

Double wall panel construction allows for easy cleaning and disinfecting of the interior surfaces. Panel and frame design allows for easy removal of side panels for maximum access to internal areas.

## High Grade Aluminum Frame

Frame is constructed of extruded aluminum channels for structural rigidity and lightness.

## Injected Polyurethane Foam Panels

All panels are injected with high efficiency polyurethane foam insulation. Foamed panels provide superior thermal resistance properties, and have excellent acoustic and vibration absorption characteristics. In addition, polyurethane foam does not absorb moisture and will not promote fungus growth.

## High Efficiency Performance

Patented heat transfer technology gives maximum cooling and dehumidification. Trane engineered fan systems provide maximum airflow while minimizing vibration, acoustic levels and power consumption.

## Suitable for Retrofit, Renovation and Replacement

Change is inevitable. As time passes, building loads alter, new technologies emerge and codes and standards are revised. The Quantum Climate Changer design lends itself to the needs of the renovation, retrofit and replacement market.

## Sturdy Unit Construction

The Quantum Climate Changer's flexibility is contributed by the structural integrity pentapost and panel construction. That not only means you can stack modules in a space-saving vertical air-handler configuration, but also allows removal of panels for unlimited access.



## Features and Benefits

---

### Optimized Coils

Flexibility characterizes the Quantum Climate Changer's broad coil offering. The variety of types, sizes, arrangements and materials enables you to select a coil optimized for the application pressure drop and capacity requirements. Options include:

- 2 to 12 rows, 1/2 inch OD chilled water coils and two separate cooling coil in series to meet high capacity requirement.
- One and two rows, 1/2 inch OD hot water coils.
- Four and six rows, 1/2 inch OD refrigerant coils.
- One row 1/2 inch OD, distributing type steam coils.
- Infinitely variable fin spacing (IVS).
- Stainless steel coil casing (option).
- Coated aluminum fin for corrosion resistance.
- Header drain and vent connections.
- Fully drain able coils at header.

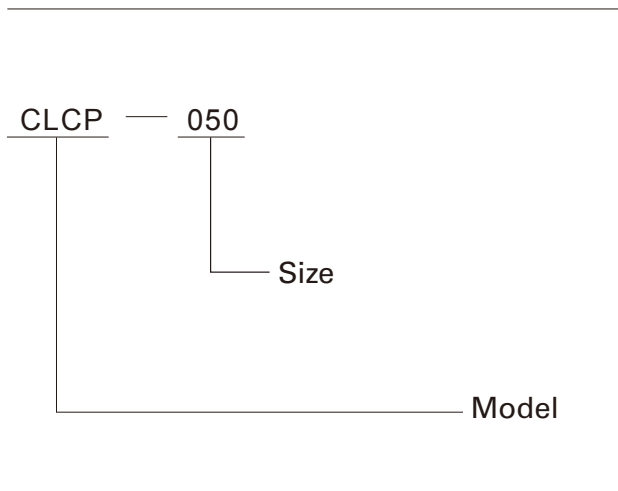
All standard heating and cooling coils are engineered and manufactured at Trane air handling systems manufacturing facility.

### Performance Assurance and Commitment to Quality

Trane combines comprehensive performance certifications with thorough laboratory testing and manufacturing methods. Together these elements help to ensure that each Quantum Climate Changer operates predictably and reliably throughout the life of the unit. All fans are tested as per ANSI/AMCA 210, ANSI/ASHRAE Standard 51 - Laboratory Method of Testing Fans for Rating and AMCA 300 "Reverberant Room Method for Sound Testing of Fans."

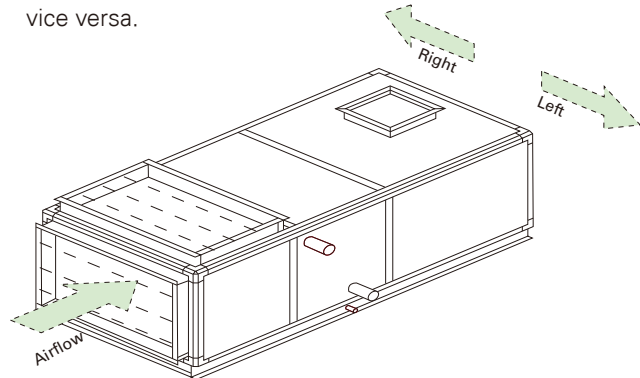
Quantum Climate Changer is manufactured in a facility that is certified to MS ISO9001.

# Quick Selection



### Definition of Unit Direction

Staying opposite to air flow direction, the unit is defined as Left if coil connection & service door is located on the left; vice versa.



Model Size	Nominal Airflow m <sup>3</sup> /h	Coil Face Area m <sup>2</sup>	Nominal Airflow m <sup>3</sup> /h					Width	Height
			2.0m/s	2.25m/s	2.5m/s	2.75m/s	3.0m/s	50mm	50mm
003	2300	0.23	1656	1863	2070	2277	2484	748	848
004	4000	0.40	2880	3240	3600	3960	4320	1058	848
006	5500	0.56	4032	4536	5040	5544	6048	1368	848
008	7000	0.73	5256	5913	6570	7227	7884	1678	848
010	9000	0.89	6408	7209	8010	8811	9612	1368	1158
012	11000	1.15	8280	9315	10350	11385	12420	1678	1158
014	14000	1.42	10224	11502	12780	14058	15336	1988	1158
016	16000	1.58	11376	12798	14220	15642	17064	1678	1468
020	19000	1.94	13968	15714	17460	19206	20952	1988	1468
025	23000	2.30	16560	18630	20700	22770	24840	1988	1778
030	29000	2.86	20592	23166	25470	28314	30888	1988	2088
035	34000	3.42	24624	27702	30780	33858	36936	2298	2088
040	40000	3.95	28440	31995	35550	39105	42660	2608	2088
045	45000	4.48	32256	36288	40320	44352	48384	2918	2088
050	50000	5.01	36072	40581	45090	49599	54108	3228	2088
060	60000	5.92	42624	47952	53280	58608	63936	3228	2398
065	65000	6.55	47160	53055	58950	64845	70740	3538	2398
070	70000	7.18	51969	58158	64620	71082	77544	3848	2398
080	80000	7.81	56232	63261	70290	77319	84348	4158	2398
085	85000	8.44	60768	68364	75960	83556	91152	4468	2398
090	90000	9.07	65304	73467	81630	89793	97956	4778	2398
095	100000	9.70	69840	78570	87300	96030	104760	5088	2398
100	105000	11.2	80640	90720	100800	110880	120960	5088	2708
110	110000	11.8	84960	95580	106200	116820	127440	5088	2883
120	120000	12.5	90000	101250	112500	123750	130000	5088	3038

Note: The unit height includes unit base. Special design requirement, please contact technical department.



## Quick Selection

Item	Section	Unit model / Specs	Length (mm)	General Options
1	Mixing box/intake section	003-020	310	Manual damper Electric-driven damper Access door Inspection lamp
		025-035	434	
		040-050	620	
		060-080	744	
		085-100	806	
		110-120	1054	
2	Per-filter section	003-120	155	2" flat washable per-filter Bag filter (variable specs) Pressure differential gauge
3	Secondary filter section	003-120	465	
4	Flat + Bag Filter section	003-120	620	
5	Cooling Coil section	003-120 / 2 Row	310	2-12 row cooling coil, Al fin, Drop eliminator Steel / copper header Coil turbulator
		003-120 / 4 Row	465	
		003-120 / 4 Row	465	
		003-120 / 6 Row	465	
		003-120 / 8-12 Row	620	
6	Hot water coil section	003-120 / 1 Row	310	1-4 row heating coil, Al fin, Steel / copper header Coil turbulator
		003-120 / 2 Row	310	
		003-120 / 4 Row	465	
7	Steam coil section	003-120	310	2 Row steam coil
8	Electric heater section	003-120	465	Electric heater power, heater stage
9	Steam humidifier section	003-120	775	Manual operation, On/off control modulating control
10	High-pressure atomizing humidifier section (include drop eliminator)	003-120	1240	
11	Fan section	003-120	775-2790	FC/BC/AF/Plug Fan
12	Sound Attenuator section	434-1240	434-1240	Section length per custom requirements
13	Hi-capacity filter section	003-120	620	Pressure differential gauge
14	Access section	003-120	465/620	Latched door
				Hinged door Pressure differential gauge
15	Supply airflow section	003-020	310	Manual damper Electric-driven damper Access door Inspection lamp
		025-035	465	
		040-050	620	
		060-080	775	
		085-100	930	
		110-120	1085	
16	Heat wheel section	003-120	620	High or standard efficiency

Note: 1. Above data is updated periodically, please refer to the selection software.

# Cooling Coil Performance Table

## Mixed air condition

Model Size	Nominal Airflow m <sup>3</sup> /h	4 Rows					6 Rows			
		Total Cap. kW	Sensible Cap. kW	APD Pa	WFR L/S	WPD kPa	Coil type	Total Cap. kW	Sensible Cap. kW	APD Pa
003	2300	6.06	6.05	92.0	0.29	0.4	WL	8.69	8.61	155.6
004	4000	12.75	12.75	95.1	0.61	1.5	WL	23.10	17.96	186.2
006	5500	24.94	21.11	116.2	1.19	5.9	WL	36.42	26.58	185.2
008	7000	35.78	28.44	117.9	1.71	11.5	WL	49.22	35.02	183.8
010	9000	40.92	34.51	121.6	1.95	5.3	WL	59.68	43.50	193.5
012	11000	57.20	45.10	116.2	2.73	11.1	WL	78.41	55.49	181.1
014	14000	75.98	58.52	124.8	3.62	20.7	WL	101.96	71.47	192.8
016	16000	81.83	64.82	126.8	3.90	11.5	WL	112.48	79.95	197.4
020	19000	104.14	79.87	123.1	4.96	19.8	WL	139.43	97.46	190.1
025	23000	129.65	97.99	128.4	6.18	32.6	WL	171.52	119.07	197.4
030	29000	163.07	123.29	131.1	7.77	40.0	WL	215.86	149.92	201.4
035	34000	190.99	144.64	127.4	9.10	36.3	WL	252.89	175.77	195.8
040	40000	229.22	171.80	131.7	10.93	55.0	WL	270.90	195.64	196.0
045	45000	264.18	195.92	130.9	12.59	76.8	WL	313.53	223.76	194.9
050	50000	296.34	218.91	129.9	14.13	42.8	LL	356.06	251.85	194.0
060	60000	312.89	245.53	127.8	14.92	21.2	LL	426.35	301.73	198.3
065	65000	351.15	271.11	125.0	16.74	27.3	LL	472.33	331.40	193.3
070	70000	388.93	296.53	122.7	18.54	34.2	LL	518.11	361.01	189.1
080	80000	443.58	337.54	132.5	21.15	45.2	LL	579.21	406.68	202.3
085	85000	481.78	263.17	129.9	22.97	54.4	LL	609.52	429.83	196.1
090	90000	519.89	388.77	127.7	24.78	64.7	LL	638.27	452.32	190.6
095	100000	575.49	430.14	135.4	27.43	80.5	LL	682.88	491.24	199.3
100	105000	608.19	455.35	115.3	28.99	72.5	LL	730.24	522.29	170.1
110	110000	630.90	474.53	115.0	30.07	63.0	LL	760.36	545.24	169.8
120	120000	658.34	505.24	114.8	22.42	66.4	LL	830.24	594.85	175.2

Model Size	Nominal Airflow m <sup>3</sup> /h	6 Rows					8 Rows			
		WFR L/S	WPD kPa	Coil type	Total Cap. kW	Sensible Cap. kW	APD Pa	WFR L/S	WPD kPa	Coil type
003	2300	0.41	0.8	WL	13.05	10.38	233.6	0.62	1.7	WL
004	4000	1.10	5.5	WL	29.29	20.70	257.4	1.40	9.2	WL
006	5500	1.74	14.9	WL	43.78	29.96	252.0	2.09	22.9	WL
008	7000	2.35	26.8	WL	57.98	39.11	248.8	2.76	44.1	WL
010	9000	2.85	13.6	WL	71.71	49.04	263.2	3.42	23.0	WL
012	11000	3.74	25.6	WL	92.09	61.89	245.0	4.39	41.9	WL
014	14000	4.86	46.4	WL	118.08	79.44	260.1	5.66	75.3	WL
016	16000	5.36	26.7	WL	132.52	89.35	267.1	6.32	44.2	WL
020	19000	6.65	44.5	WL	162.17	108.24	256.5	7.73	72.3	WL
025	23000	8.18	72.0	WL	182.70	125.10	259.9	8.71	26.3	LL
030	29000	10.29	85.2	WL	230.01	157.56	265.3	10.96	32.4	LL
035	34000	12.06	79.4	WL	269.50	184.69	257.8	12.85	22.1	LL
040	40000	12.91	23.3	LL	322.98	219.79	266.1	15.40	33.1	LL
045	45000	14.95	32.6	LL	370.42	250.33	263.9	17.66	45.5	LL
050	50000	16.97	43.9	LL	417.83	280.88	262.2	19.92	60.3	LL
060	60000	20.32	48.9	LL	500.56	336.65	268.1	23.86	67.2	LL
065	65000	22.52	62.3	LL	500.91	368.55	260.9	26.26	84.5	LL
070	70000	24.70	77.6	LL	591.30	396.09	253.4	26.40	89.4	LL
080	80000	26.10	90.0	LL	651.03	441.72	269.3	25.80	89.5	LL
085	85000	25.50	90.0	LL	684.23	466.19	261.1	25.20	89.3	LL
090	90000	24.90	89.7	LL	715.58	489.87	253.8	24.60	89.0	LL
095	100000	24.40	89.8	LL	767.10	532.19	265.4	24.20	89.7	LL
100	105000	24.87	98.3	LL	789.94	552.73	224.4	23.54	68.8	LL
110	110000	25.90	83.2	LL	821.36	576.45	224.0	24.48	58.8	LL
120	120000	28.28	101.8	LL	898.91	629.94	231.1	26.79	71.9	LL

Note:1.Enter Dry Bulb temperature 27°C, Enter Wet Bulb temperature 19.5°C, chilled Enter/Leaving Water Temperature 7°C/12°C.  
 2.The coil is copper turb Al. fin, 10 Fins per inch.  
 3.If airflow of FPI increase, the total cap. Increase also.  
 4. Underlined data is generated at larger water temperature rise (than 5°C) to leverage water pressure drop.

## Cooling Coil Performance Table

### Fresh air condition

Model Size	Nominal Airflow m <sup>3</sup> /h	4 Rows					6 Rows			
		Total Cap. kW	Sensible Cap. kW	APD Pa	WFR L/S	WPD kPa	Coil type	Total Cap. kW	Sensible Cap. kW	APD Pa
003	2300	18.28	9.56	132.8	0.87	2.5	WL	31.10	13.63	199.3
004	4000	43.78	20.32	136.6	2.09	14.7	WL	60.03	26.46	204.9
006	5500	66.68	30.15	131.2	3.18	36.5	WL	87.70	38.35	196.8
008	7000	89.54	40.03	128.3	4.27	63.9	WL	105.10	46.34	192.4
010	9000	109.21	49.33	137.0	5.21	33.1	WL	143.63	62.78	205.5
012	11000	143.10	63.78	126.3	6.82	61.1	WL	167.36	73.65	189.5
014	14000	162.50	74.28	133.3	7.75	23.2	LL	218.15	95.65	199.9
016	16000	204.50	91.33	137.7	9.75	63.0	WL	240.03	105.80	206.5
020	19000	222.75	101.59	131.4	10.62	30.6	LL	298.22	130.65	197.1
025	23000	278.61	125.96	135.6	13.28	48.7	LL	359.90	157.71	203.4
030	29000	344.76	156.51	138.4	15.70	55.4	LL	430.55	190.10	207.6
035	34000	410.53	185.78	134.5	19.57	38.4	LL	541.69	236.86	201.8
040	40000	494.05	222.29	138.0	23.55	56.9	LL	628.73	275.34	207.0
045	45000	570.47	255.29	136.3	27.19	77.8	LL	679.50	306.03	204.4

Model Size	Nominal Airflow m <sup>3</sup> /h	6 Rows					8 Rows			
		WFR L/S	WPD kPa	Coil type	Total Cap. kW	Sensible Cap. kW	APD Pa	WFR L/S	WPD kPa	Coil type
003	2300	1.43	7.5	WL	37.13	16.25	265.7	1.77	11.6	WL
004	4000	2.86	32.4	WL	70.23	30.47	273.2	3.35	46.4	WL
006	5500	4.18	75.7	WL	92.82	40.42	262.4	4.43	15.0	LL
008	7000	5.01	20.4	LL	123.12	53.42	256.6	5.87	28.5	LL
010	9000	6.85	68.9	WL	151.97	66.17	274.0	7.24	21.5	LL
012	11000	7.98	27.3	LL	195.37	84.70	252.6	9.31	37.6	LL
014	14000	10.40	48.7	LL	252.27	109.28	266.6	12.03	65.8	LL
016	16000	11.44	38.2	LL	281.27	122.03	275.4	13.41	52.9	LL
020	19000	14.22	61.5	LL	336.64	145.97	262.9	14.22	62.8	LL
025	23000	15.70	78.6	LL	405.94	176.07	271.2	15.70	80.2	LL
030	29000	15.70	63.0	LL	488.58	212.77	276.8	15.70	64.1	LL
035	34000	25.82	79.4	LL	614.26	266.05	269.1	27.20	89.7	LL
040	40000	26.60	89.5	LL	706.82	306.55	276.0	26.30	89.6	LL
045	45000	25.80	89.7	LL	784.01	340.38	272.6	25.20	89.6	LL

Note: Entering air temperature 35/28°C (Dry/Wet Bulb); entering & leaving water temperature: 7/12°C.



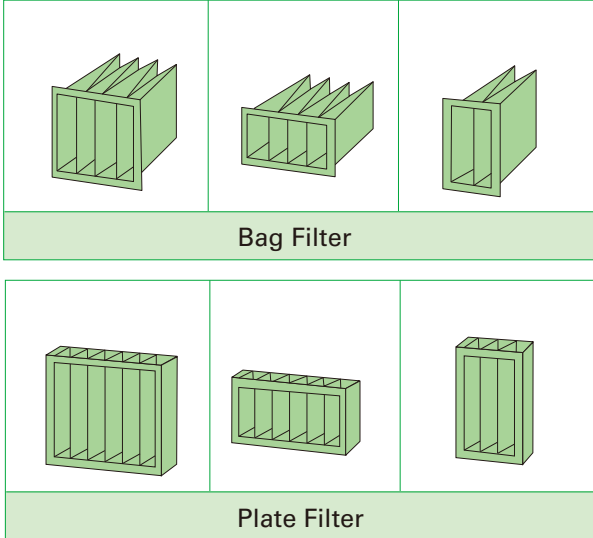
## Fan & Motor Parameter

CLCP	Airflow	Fan Model	Fan Dimension	Motor Power	Internal Pressure Drop	Motor Power	
						@300Pa*	@700Pa*
Model	CMH		mm	kW	Pa	kW	kW
003	2070	KAT 9-7	229	0.55-3	341	1.1	1.5
004	3600	KAT 10-8/BC 225	250/225	0.55-3	363	1.5	3.0
006	5040	FC/BC 250	250	0.55-7.5	370	3.0	4.0**
008	6570	FC/BC 280	280	0.75-7.5	386	3.0	4.0
010	8010	FC/BC 315	315	1.1-7.5	370	4.0	7.5
012	10350	FC/BC 400	400	1.1-15	383	5.5	5.5**
014	12780	FC/BC 400	400	1.5-15	382	5.5	7.5**
016	14220	FC/BC 450	450	1.5-18.5	375	5.5	7.5**
020	17460	FC/BC 500	500	2.2-18.5	378	7.5	11.0**
025	20700	FC/BC 560	560	2.2-22	370	7.5	11.0**
030	25740	FC/BC 560	560	4-30	377	11.0	15.0
035	30780	FC/BC 630	630	4-37	380	15.0	15.0
040	35550	FC/BC 710	710	4-37	381	15.0	22.0**
045	40320	FC/BC 710	710	4-37	382	15.0	22.0**
050	45090	FC/BC 800	800	5.5-45	382	18.5	22.0**
060	53280	FC/BC 800	800	7.5-7.5	382	22.0	30.0
065	58950	FC/BC 900	900	7.5-7.5	379	22.0	30.0**
070	64620	FC/BC 900	900	7.5-7.5	380	30.0	30.0**
080	70290	FC/BC 1000	1000	7.5-7.5	381	30.0	7.0**
085	75960	FC/BC 1000	1000	7.5-7.5	381	30.0	7.0**
090	81630	FC/BC 1000	1000	11-7.5	370	37.0	5.0
095	87300	FC/BC 1000	1000	11-7.5	382	37.0	45.0**
100	105000	AF/BC 1120	1120	15-7.5	330	37.0	45.0**
110	110000	AF/BC 1250	1250	15-7.5	331	37.0	55.0**
120	120000	AF/BC 1250	1250	15-7.5	338	45.0	55.0**

\*Default unit configuration: Mixing + Pre & Bag filter + 6 Row 120FPF Coil + Top Discharge Fan

\*\* BC (Backcurved) fan is used.

## Filter Section

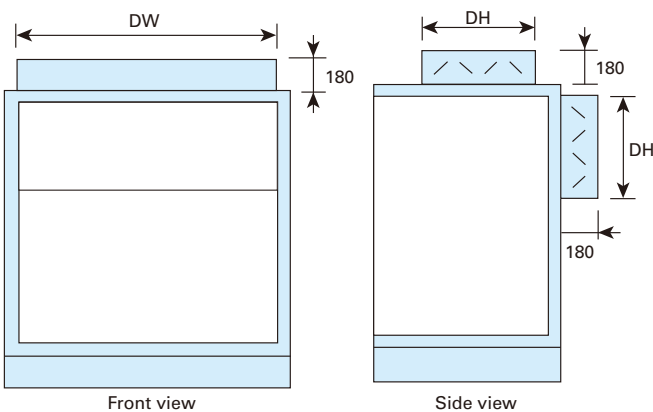


- Plate per-filter efficiency, efficiency  $\geq 20\%$ (G4)
- Bag / Cartridge secondary-filter, efficiency  $\geq 65\%$ (F6),  $\geq 85\%$ (F7) or  $\geq 95\%$ (F8)
- HEPA High efficiency particulate air filter, efficiency  $\geq 99.97\%$ (H12)(MPPS).

Dimensions & quantity of Plate filter & Bag filter

Model	Back Loading			Side Loading			
	12"x24"	24"x12"	24"x24"	24"x20"	12"x24"	24"x12"	24"x24"
003-1010	2			1			
004-1510	2			1			
006-2010		4		2			
008-2510		4		2			
010-2015		2	2		2	2	
012-2515	1	2	2		1	2	2
014-3015		3	3			3	3
016-2520	2		4		2		4
020-3020			6				6
025-3025		3	6			3	6
030-3030			9				9
035-3530	3		9		3		9
040-4030			12				12
045-4530	3		12		3		12
050-5030			15				15
060-5035		5	15			5	15
065-5535	3	5	15		3	5	15
070-6035		6	18			6	18
080-6535	3	6	18		3	6	18
085-7035		7	21			7	21
090-7535	3	7	21		3	7	21
095-8035		8	24			8	24
100-8040			32				32
110-804B			32				32
120-8045	8		32			8	32

## Damper Position & Dimensions

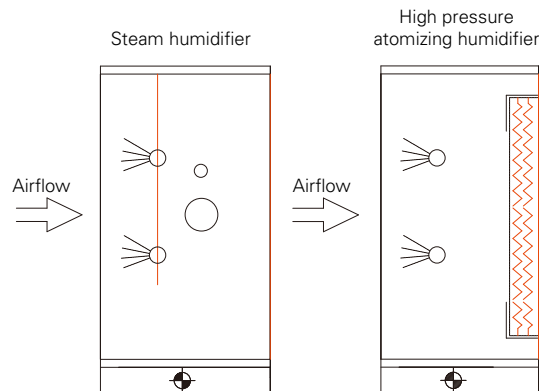


50mm Casing

Unit Model	DW(mm)	DH(mm)
003-1010	620	310
004-1510	930	310
006-2010	1240	310
008-2510	1550	310
010-2015	1240	310
012-2515	1550	310
014-3015	1860	310
016-2520	1550	310
020-3020	1860	310
025-3025	1860	465
030-3030	1860	465
035-3530	2170	465
040-4030	2480	620
045-4530	2790	620
050-5030	3100	620
060-5035	3100	775
065-5535	3410	775
070-6035	3720	775
080-6535	4030	775
085-7035	4030	930
090-7535	4030	930
095-8035	4030	930
100-8040	4030	930
110-804B	4030	1085
120-8045	4030	1085

Note: The damper sizes are internal sizes.

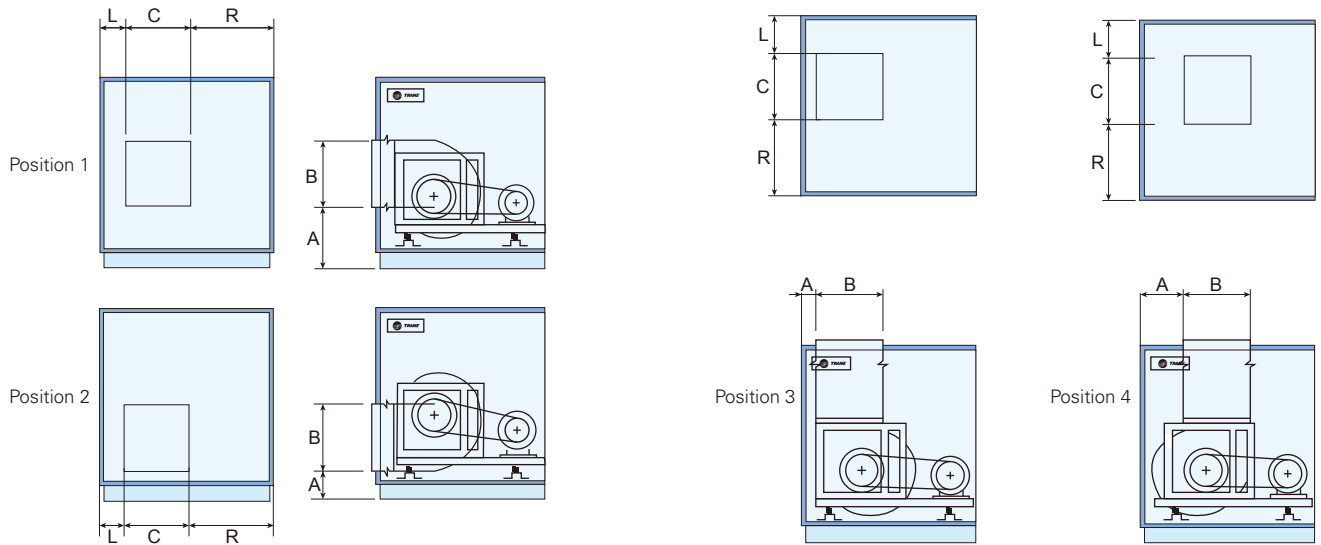
# Humidifier Section



Model Size	Nominal Airflow m3/h	Dry steam humidifier kg/h	Recommended High pressure atomizing humidifier (kg/h)
003	2300	6.0-20	5-15
004	4000	8.0-40	5-15
006	5500	20-55	10-25
008	7000	30-80	15-35
010	9000	40-80	25-45
012	11000	60-120	30-55
014	14000	80-180	40-70
016	16000	100-200	50-80
020	19000	120-220	50-95
025	23000	120-220	65-120
030	29000	180-300	75-145
035	34000	280-400	100-170
040	40000	300-480	100-200
045	45000	300-480	130-230
050	50000	300-480	150-250
060	60000	400-550	180-300
065	65000	400-550	200-330
070	70000	450-600	210-350
080	80000	500-700	240-400
085	85000	550-750	260-430
090	90000	600-800	270-450
095	100000	700-900	300-500
100	105000	700-900	300-500
110	110000	700-900	300-500
120	120000	700-900	300-500

Note: 1. Assumed Condition: entering air dry bulb temperature:4°C and 15% relative humidity; face velocity = 2.5m/s and humidifier water temperature 20°C.  
 2. Dry steam humidifier is defaulted as 775 mm in length and see below table for unit length of film humidifier.

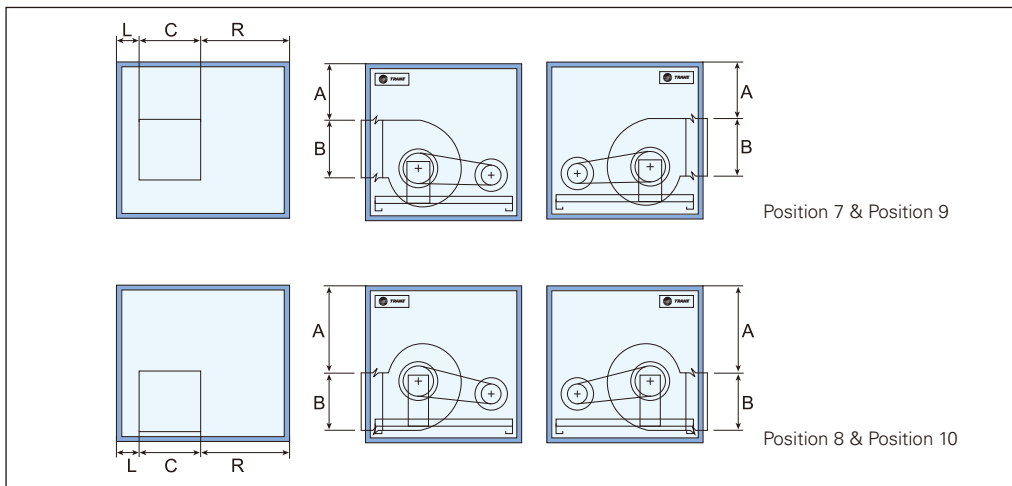
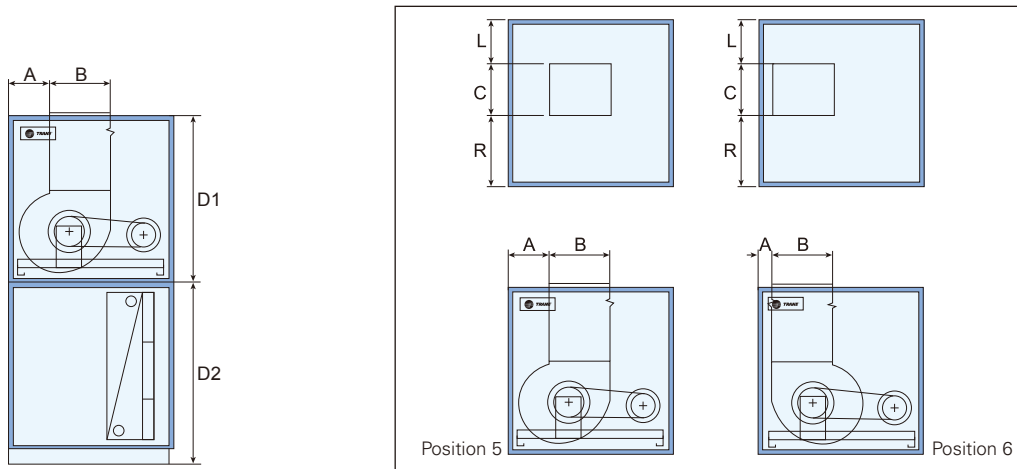
# Horizontal Unit: Fan Outlet Position & Unit Dimension



unit: mm

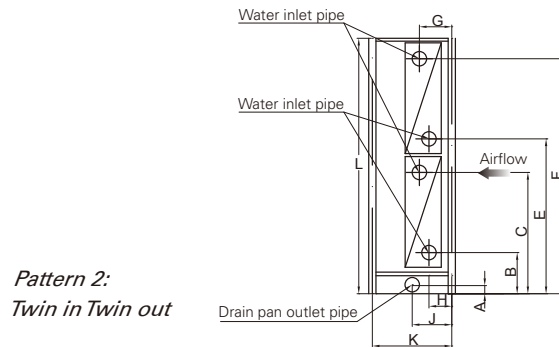
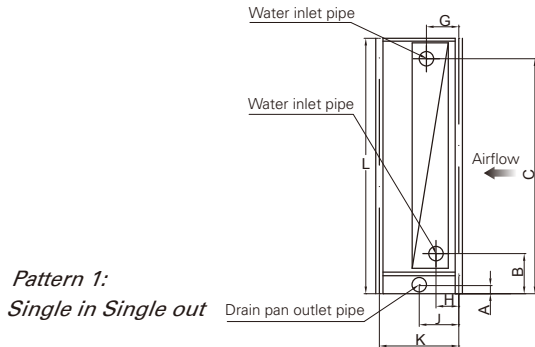
Model Size	Fan outlet position				Motor access door				B	C
	Position 1	Position 2	Position 3	Position 4	Right hand side unit		Left hand side unit			
	A				L	R	L	R		
	50mm	50mm	50mm	50mm	50mm	50mm	50mm	50mm		
003-1010	412	287	123	248	249	249	249	249	280	250
004-1510	395	283	163	287	219	533	533	219	306	306
006-2010	394	283	161	291	263	765	765	263	340	340
008-2510	356	248	162	310	400	900	900	400	378	378
010-2015	450	282	160	328	473	473	473	473	422	422
012-2515	520	303	161	382	258	896	896	258	524	524
014-3015	520	303	161	382	413	1051	1051	413	524	524
016-2520	551	303	162	410	291	801	801	291	586	586
020-3020	573	303	162	432	330	1002	1002	330	656	656
025-3025	674	373	164	465	340	916	916	340	732	732
030-3030	674	373	164	465	340	916	916	340	732	732
035-3530	716	372	164	507	358	1122	1122	358	818	818
040-4030	764	374	164	555	470	1222	1222	470	916	916
045-4530	764	374	164	555	625	1377	1377	625	916	916
050-5030	827	380	164	611	666	1538	1538	666	1024	1024
060-5035	827	380	164	611	666	1538	1538	666	1024	1024
065-5535	878	374	164	668	735	1655	1655	735	1148	1148
070-6035	878	374	164	668	890	1810	1810	890	1148	1148
080-6535	901	376	166	691	895	1979	1979	895	1284	1284
085-7035	901	376	166	691	1050	2134	2134	1050	1284	1284
090-7535	901	376	166	691	1205	2289	2289	1205	1284	1284
095-8035	901	376	166	691	1360	2444	2444	1360	1284	1284
100-8040	968	376	166	764	1437	2211	2211	1437	1440	1440
110-804B	1138	396	166	914	1308	2238	2238	1308	1542	1542
120-8045	1138	396	166	914	1308	2238	2238	1308	1542	1542

# Vertical Unit: Fan Outlet Position & Unit Dimension



Model Size	Fan outlet position				Motor access door				B	C	D1	D2
	Position 1	Position 2	Position 3	Position 4	Right hand side unit		Left hand side unit					
	A				L	R	L	R				
	50mm	50mm	50mm	50mm	50mm	50mm	50mm	50mm			50mm	50mm
003-1010	156	281	123	248	249	249	249	249	280	250	748	848
004-1510	147	259	163	287	219	533	533	219	306	306	748	848
006-2010	114	225	161	291	263	765	765	263	340	340	748	848
008-2510	114	222	162	310	400	900	900	400	378	378	748	848
010-2015	286	454	160	328	473	473	473	473	422	422	1058	1158
012-2515	114	331	161	382	258	896	896	258	524	524	1058	1158
014-3015	114	331	161	382	413	1051	1051	413	524	524	1058	1158
016-2520	331	579	162	410	291	801	801	291	586	586	1368	1468
020-3020	239	509	162	432	330	1002	1002	330	656	656	1368	1468
025-3025	372	673	164	465	340	916	916	340	732	732	1678	1778
030-3030	682	983	164	465	340	916	916	340	732	732	1988	2088
035-3530	554	898	164	507	358	1122	1122	358	818	818	1988	2088
040-4030	408	798	164	555	470	1222	1222	470	916	916	1988	2088
045-4530	408	798	164	555	625	1377	1377	625	916	916	1988	2088
050-5030	237	684	164	611	666	1538	1538	666	1024	1024	1988	2088

# Coil Header Position & Dimensions



unit: mm

Coil Type	Coil Row	Unit Model	G	J	H		
					WL	LL	DL
Cooling Coil	2	003-120	79	155	145	-	-
	4	003-120	94	155	178	178	217
	6	003-120	94	217	232	232	271
	8	003-120	94	279	287	287	326
	10	003-120	94	310	342	342	381
	12	003-120	94	310	397	397	436
Heating Coil	1	003-120	94	-	144	-	-
	2	003-120	78	-	145	-	-
	4	003-120	94	-	178	-	-

Unit Model	A	B	C	E	F	L	K				D (Connection tube diameter)			
		50mm	50mm	50mm	50mm	50mm	1-2 Row	4-6Row	8Row	10-12 Row	1Row	2Row	4-12Row WL/DL	4-12Row LL
003-1010	50	236	716	-	-	848	310	434	558	620	40	40	40	65
004-1510	50	236	716	-	-	848	310	434	558	620	40	40	40	65
006-2010	50	236	716	-	-	848	310	434	558	620	40	40	40	65
008-2510	50	236	716	-	-	848	310	434	558	620	40	40	40	65
010-2015	50	233	1018	-	-	1158	310	434	558	620	40	50	50	65
012-2515	50	233	1018	-	-	1158	310	434	558	620	40	50	50	65
014-3015	50	233	1018	-	-	1158	310	434	558	620	40	50	50	65
016-2520	50	247	1323	-	-	1468	310	434	558	620	40	50	65	65
020-3020	50	247	1323	-	-	1468	310	434	558	620	40	50	65	65
025-3025	50	257	1619	-	-	1778	310	434	558	620	40	50	65	65
030-3030	50	233	1058	1129	1947	2088	310	434	558	620	40	50	50	65
035-3530	50	233	1058	1129	1947	2088	310	434	558	620	40	50	50	65
040-4030	50	233	1058	1129	1947	2088	310	434	558	620	40	50	50	65
045-4530	50	233	1058	1129	1947	2088	310	434	558	620	40	50	50	65
050-5030	50	233	1058	1129	1947	2088	310	434	558	620	40	50	65	65
060-5035	50	257	1209	1324	2244	2398	310	434	558	620	40	50	65	65
065-5535	50	257	1209	1324	2244	2398	310	434	558	620	40	50	65	65
070-6035	50	257	1209	1324	2244	2398	310	434	558	620	40	50	65	65
080-6535	50	257	1209	1324	2244	2398	310	434	558	620	40	50	65	65
085-7035	50	257	1209	1324	2244	2398	310	434	558	620	40	50	65	65
090-7535	50	257	1209	1324	2244	2398	310	434	558	620	40	50	65	65
095-8035	50	257	1209	1324	2244	2398	310	434	558	620	40	50	65	65
100-8040	50	257	1368	1483	2562	2708	310	434	558	620	40	50	65	65
110-804B	60	277	1515	1630	2767	3038	310	434	558	620	40	50	65	65
120-8045	60	277	1515	1630	2767	3038	310	434	558	620	40	50	65	65

Note: 1-1/2" external thread connect pipe, PVC drip pipe as optional. Diameter: inside/outside dimension (50mm/58mm)



Trane - by Trane Technologies (NYSE: TT), a global climate innovator - creates comfortable, energy efficient indoor environments for commercial and residential applications. For more information, please visit [trane.com](http://trane.com) or [tranetechnologies.com](http://tranetechnologies.com).

Trane has a policy of continuous product and product data improvement and reserves the right to change design and specifications without notice. We are committed to using environmentally conscious print practices.

CLCP-AH-PRC017A-EN October 2024  
Supersedes : -

©2024 Trane