



Installation, Operation, and Maintenance

Performance Climate Changer™ Air Handlers Model CSAA Indoor and Outdoor Units Sizes 3 to 120



⚠ SAFETY WARNING

Only qualified personnel should install and service the equipment. The installation, starting up, and servicing of heating, ventilating, and air-conditioning equipment can be hazardous and requires specific knowledge and training. Improperly installed, adjusted or altered equipment by an unqualified person could result in death or serious injury. When working on the equipment, observe all precautions in the literature and on the tags, stickers, and labels that are attached to the equipment.



Introduction

Read this manual thoroughly before operating or servicing this unit.

Warnings, Cautions, and Notices

Safety advisories appear throughout this manual as required. Your personal safety and the proper operation of this machine depend upon the strict observance of these precautions.

The three types of advisories are defined as follows:

⚠ WARNING Indicates a potentially hazardous situation which, if not avoided, could result in death or serious injury.

⚠ CAUTION Indicates a potentially hazardous situation which, if not avoided, could result in minor or moderate injury. It could also be used to alert against unsafe practices.

NOTICE Indicates a situation that could result in equipment or property-damage only accidents.

Important Environmental Concerns

Scientific research has shown that certain man-made chemicals can affect the earth's naturally occurring stratospheric ozone layer when released to the atmosphere. In particular, several of the identified chemicals that may affect the ozone layer are refrigerants that contain Chlorine, Fluorine and Carbon (CFCs) and those containing Hydrogen, Chlorine, Fluorine and Carbon (HCFCs). Not all refrigerants containing these compounds have the same potential impact to the environment. Trane advocates the responsible handling of all refrigerants-including industry replacements for CFCs and HCFCs such as saturated or unsaturated HFCs and HCFCs.

Important Responsible Refrigerant Practices

Trane believes that responsible refrigerant practices are important to the environment, our customers, and the air conditioning industry. All technicians who handle refrigerants must be certified according to local rules. For the USA, the Federal Clean Air Act (Section 608) sets forth the requirements for handling, reclaiming, recovering and recycling of certain refrigerants and the equipment that is used in these service procedures. In addition, some states or municipalities may have additional requirements that must also be adhered to for responsible management of refrigerants. Know the applicable laws and follow them.

⚠ WARNING

Proper Field Wiring and Grounding Required!

Failure to follow code could result in death or serious injury. All field wiring **MUST** be performed by qualified personnel. Improperly installed and grounded field wiring poses **FIRE** and **ELECTROCUTION** hazards. To avoid these hazards, you **MUST** follow requirements for field wiring installation and grounding as described in NEC and your local/state electrical codes.

⚠ WARNING

Personal Protective Equipment (PPE) Required!

Failure to wear proper PPE for the job being undertaken could result in death or serious injury. Technicians, in order to protect themselves from potential electrical, mechanical, and chemical hazards, **MUST** follow precautions in this manual and on the tags, stickers, and labels, as well as the instructions below:

- Before installing/servicing this unit, technicians **MUST** put on all PPE required for the work being undertaken (Examples; cut resistant gloves/sleeves, butyl gloves, safety glasses, hard hat/bump cap, fall protection, electrical PPE and arc flash clothing). **ALWAYS** refer to appropriate Material Safety Data Sheets (MSDS)/Safety Data Sheets (SDS) and OSHA guidelines for proper PPE.
- When working with or around hazardous chemicals, **ALWAYS** refer to the appropriate MSDS/SDS and OSHA/GHS (Global Harmonized System of Classification and Labelling of Chemicals) guidelines for information on allowable personal exposure levels, proper respiratory protection and handling instructions.
- If there is a risk of energized electrical contact, arc, or flash, technicians **MUST** put on all PPE in accordance with OSHA, NFPA 70E, or other country-specific requirements for arc flash protection, **PRIOR** to servicing the unit. **NEVER PERFORM ANY SWITCHING, DISCONNECTING, OR VOLTAGE TESTING WITHOUT PROPER ELECTRICAL PPE AND ARC FLASH CLOTHING. ENSURE ELECTRICAL METERS AND EQUIPMENT ARE PROPERLY RATED FOR INTENDED VOLTAGE.**

⚠ WARNING**Follow EHS Policies!**

Failure to follow instructions below could result in death or serious injury.

- All Ingersoll Rand personnel must follow Ingersoll Rand Environmental, Health and Safety (EHS) policies when performing work such as hot work, electrical, fall protection, lockout/tagout, refrigerant handling, etc. All policies can be found on the [BOS site](#). Where local regulations are more stringent than these policies, those regulations supersede these policies.
- Non-Ingersoll Rand personnel should always follow local regulations.

Copyright

This document and the information in it are the property of Trane, and may not be used or reproduced in whole or in part without written permission. Trane reserves the right to revise this publication at any time, and to make changes to its content without obligation to notify any person of such revision or change.

Trademarks

All trademarks referenced in this document are the trademarks of their respective owners.

Factory Training

Factory training is available through Trane University™ to help you learn more about the operation and maintenance of your equipment. To learn about available training opportunities contact Trane University™.

Online: www.trane.com/traneuniversity

Phone: 855-803-3563

Email: traneuniversity@trane.com

Revision History

- Updated the service clearance for control box's figure and table in dimensions and weights chapter.
- Replaced the existing photo for shipping tie down removal with new photo and additional photo for tie down in installation - mechanical chapter.
- Added new section, DDP fan thrust bumper in installation - mechanical chapter.
- Updated the transducer image in the start-up chapter.
- Updated miscellaneous changes across the document.



Table of Contents

Factory Training	3	Field-Installed Evaporator Piping	110
Introduction	5	Installation - Electrical	115
Nameplate	5	Quick Connects	117
General Information	6	CDQ™ Desiccant Wheel Cassette/Motor	117
Operating Environment	6	Typical Wiring Schematics	119
Unit Description	6	Controls Interface	125
Pre-Installation	8	Connecting the Operator Display	125
Receiving and Handling	8	Calibrating the Operator Display	125
Jobsite Storage	9	External Communications Port	126
Site Preparation	9	Start-Up	127
Dimensions and Weights	11	Pre-Startup Checklist	127
Service Clearance Recommendations	11	Unit Operation	128
Section Dimensions and Weights	13	Airflow Measuring Systems	132
Fans/Motors	22	Constant Factor K	138
Installation - Mechanical	23	CDQ Wheel Start Up	140
Lifting and Rigging	23	Energy Wheel Startup	141
Unit Placement and Assembly	27	External Insulating Requirements	142
Seismic Application Requirements	53	Routine Maintenance	143
Hurricane Application Requirements	55	Maintenance Checklist	143
Component Installation	61	Air-to-Air Plate Heat Exchangers	144
Dampers	61	Cleaning the Unit	144
Diffusers	73	Coils	145
Fans	73	Drain Pans	147
Filters	74	CDQ Desiccant Dehumidification Wheel	147
Multizone Section	95	Energy Wheels	154
Duct Connections	95	Fans	160
Piping and Connections	101	Filters	162
General Recommendations	101	Moisture Eliminator	162
Drain Pan Trapping	101	Ultraviolet (UV) Light Maintenance	162
Steam Coil Piping	102	Troubleshooting	165
Water Coil Piping	104		
Refrigerant Coil Piping	105		
Liquid Lines	106		
Suction Lines	107		
Expansion Valves	107		
Hot Gas Bypass	107		
Humidifier Piping and Connections	108		
Remodel, Retrofit, or Replacement	108		



Introduction

Overview of Manual

Use this manual to install, startup, operate, and maintain the Performance Climate Changer™ air handler model CSAA. Carefully review the procedures discussed in this manual to minimize installation and startup difficulties.

Nameplate

Each Performance air handler section includes one or more nameplate/label, which identifies the type of section

and functional components, customer tagging information, the unit serial number, the unit order number, the build-section position for installation, and the unit model number.

Note: The unit serial number and order number is required when ordering parts or requesting service for a Trane air handler.

Figure 1. Performance CSAA air handler section nameplate

The nameplate contains the following information:

- Trane order number:** ORDER NO. / BL CHV186A / A
- Unit level serial number:** SERIAL NO. K11A03992
- Service model number:** UNIT MODEL NO. CSAA017UAC00
- Unit tagging:** TAG ID AHU-1
- Section location:** BUILD SECTION 1 OF 4
- Functional section type:** FAN SECTION
 - MOTOR VOLTAGE 200/60/3
 - MOTOR HORSEPOWER (HP) 5.0
 - MOTOR FLA (PER NEC) 17.5
- Notes and additional section information:**
 - NOTE: AN EXTERNAL OVERLOAD DEVICE IN ACCORDANCE WITH THE NATIONAL ELECTRICAL CODE (OR CEC) IS REQUIRED WHEN NOT PROVIDED BY TRANE.
 - SUPPLY AIR TEMPERATURE LIMITATIONS:
 - 104 F MAX IN DRAW-THRU ARRANGEMENTS
 - 200 F MAX IN BLOW-THRU ARRANGEMENTS
 - FIELD CONDUCTORS SHALL HAVE INSULATION RATING NOT LESS THAN 600V
- Agency listings and/or agency certifications:**
 - DISCHARGE PLENUM SECTION
 - AIRI CERTIFIED logo
 - UL LISTED logo (UL US LISTED Central-Station Air Handler S41R File Sa5348 Evaluated to UL 1995 & CBA-C22.2 No. 235)

Manufactured under one or more of the following patent numbers: 5386782, 5674125, 6237354, 6673795, 7017366, 7150314, 7176365, 7340608, 7389646, 7526903, 7665934

Trane www.trane.com Made in USA



General Information

Operating Environment

The Performance Climate Changer™ air handler is a central station air handler for indoor and outdoor applications. When considering the placement of the air handler, it is important to consider the operating environment. The acceptable ambient temperature range for unit operation is -40°F to 140°F (-40°C to 60°C).

For heating applications, a special motor may be required to withstand the higher temperatures. Motors with Class B insulation are acceptable for ambient temperatures up to 104° F, while motors with Class F insulation can withstand ambient temperatures to +140° F (60° C).

Note: Units with UL approval have a maximum ambient temperature requirement of 104°F. The customer should provide adequate freeze protection for the coils. See "Routine Maintenance," p. 143 for more information.

Unit Description

The Performance Climate Changer air handler is designed for a variety of controlled-air applications. The basic unit consists of a fan, heating and/or cooling coils, filters, and dampers.

Components

Trane air handlers ship as complete assemblies or in sub-assemblies if shipping splits are required. Some assembly is required when the unit ships in subassemblies.

A wide variety of components is available for Trane air handlers, including numerous fan, coil, and filter options, access sections, diffusers, discharge plenums, face-and-bypass sections, UL-approved electric heat sections, humidity management options, energy recovery options, mixing boxes, moisture eliminator sections, exhaust dampers, controls, blenders and airflow monitoring stations.

For more information, refer to the following documents, available from your local Trane sales engineer:

- CLCH-PRC022*-EN, Performance Climate Changer™ Air Handler catalog
- CLCH-PRC023*-EN, Performance Climate Changer™ Air Handler dimensions
- CLCH-PRC016-EN, Performance Climate Changer™ Air Handler quick select
- CLCH-SVN05*-EN, Roof Curbs for Performance Climate Changer™ Air Handlers installation instructions
- CLCH-PRG003-EN, Performance Climate Changer™ Air handler guide specifications

- CLCH-SLB017-EN, Performance Climate Changer™ Air Handler sales brochure
- CLCH-SVX08*-EN, Gas Heat in Performance Climate Changer™ Air Handlers installation, operation, and maintenance guide
- CLCH-SVX14*-EN, Performance Climate Changer™ Air Handlers, Inshot Gas Heat installation, operation, and maintenance
- COIL-SVX01*-EN, Coils installation, operation, and maintenance guide

Factory-Mounted Controls

Trane air handlers are available with a wide selection of factory-mounted controls, including controllers, motor starters, and variable frequency drives (VFD).

Most control components are mounted inside the unit. Depending on the system configuration, this may include damper actuators, dirty filter switches, averaging temperature sensors, and low limit switches. VFDs, starters, controllers, control transformers, static pressure transducers, DC power supplies, and customer interface relays will be in enclosures mounted on the inside of the unit.

Small items that cannot be factory-mounted, such as space temperature sensors, outside air temperature sensors, and humidity sensors, will ship inside the control enclosures, or packaged and shipped inside the fan or mixing box section. Larger items are shipped inside the fan section.

Note: All control valves ship directly to the "ship-to address" from the vendor unless another address is given on the Trane sales order.

All factory-mounted control systems (controls that are factory-wired to a unit controller or termination strip) ordered without starters or variable-frequency drives (VFDs) are provided with 120 to 24 Vac control transformers mounted and wired in the auxiliary control panel. The customer must provide 120 Vac control power, 50/60 Hz, typically 3 amps for unit sizes 3 to 57 and 5 amps for unit sizes 66 to 100. A dedicated 15-amp circuit is recommended.

Factory-mounted control systems ordered with factory-mounted starters or VFDs are supplied with line to 24 Vac control transformers. No additional power wiring is required.

Pre-Packaged Solutions for Controls

If the air handler has been selected using one of Trane's pre-packaged solutions options for controls, there are a number of resources available to aid in commissioning and start-up of the unit. These resources include commissioning sheets, graphics and technical application notes. The technical application notes include the control

sequencing, Trane Graphic Programming (TGP) and Rover set-up files for the specific unit selected. These resources are available through your local Trane sales office.

For more information on controls, refer to the following manuals:

- Programmable UC600 controllers
 - BAS-SVX45*-EN, Installation, Operation, and Maintenance Tracer UC600 Programmable Controller
 - X39641178-01D, UC600 Installation Instructions
 - X39641191-01A, Installing the Tracer TD7 Display
 - BAS-SVX50*-EN, Tracer TD7 Display for the Tracer UC600 Programmable Controller Installation, Operation, and Maintenance Guide
- TR150 Drives
 - BAS-SVX59*-EN TR150 Design Guide
 - BAS-SVP16*-EN TR150 Programming Guide

Wiring

WARNING

Proper Field Wiring and Grounding Required!

Failure to follow code could result in death or serious injury. All field wiring MUST be performed by qualified personnel. Improperly installed and grounded field wiring poses FIRE and ELECTROCUTION hazards. To avoid these hazards, you MUST follow requirements for field wiring installation and grounding as described in NEC and your local/state electrical codes.

Entrances are generally provided for field-installation of high and low voltage wiring through a pipe/nipple connection in the unit depending on unit configuration with or without factory-mounted controls. Before installation, consider overall unit serviceability and accessibility before mounting, running wires (power), making penetrations, or mounting any components to the cabinet.

Wiring to the air handler must be provided by the installer and must comply with all national and local codes. The fan motor nameplate includes a wiring diagram. If there are any questions concerning the wiring of the motor, write down the information on the motor nameplate and contact your local Trane sales office.



Pre-Installation

Receiving and Handling

Inspection

Upon delivery, thoroughly inspect all components for any shipping damage that may have occurred, and confirm that the shipment is complete. See “Receiving Checklist” section for detailed instructions.

Note: Delivery cannot be refused for any reason. All units are shipped F.O.B. factory. Trane is not responsible for freight damage when shipped F.O.B. factory.

Packaging/Shipping

Performance air handlers ship as a complete unit or in individual sections to be field assembled. Indoor air handler sections are stretch-wrapped or shrink-wrapped before shipping. All factory shipping protection should be removed upon delivery. This wrapping is for transit protection only.

Indoor Performance air handlers ship in subassemblies if the total length of the units exceeds 98 inches or if the total weight exceeds the limits shown in [Table 1](#).

Note: These limits are based on a four-point lift.

Table 1. Shipping length and weight limitations for indoor air handlers

Unit Size	Maximum Unit Length (in)	Maximum Unit Weight (lb.)
3-31	98	<2,500
35, 36	98	<3,900
40	98	<4,300
50-57	98	<5,100
66-120	98	<8000

Outdoor Performance air handler sections are not wrapped, but openings are covered to comply with LEED EQ Credit 5.

[Table 2](#) outlines weight and length shipping limits for outdoor air handler sections.

Table 2. Shipping length and weight limitations for outdoor air handlers

	Min Length (in)	Max Length (in)	Max Weight (lbs)
3-30	24.50	360.00	8,000
35-57	24.50	96.00	12,000
66	24.50	107.00	12,000
80	24.50	115.00	12,000
100	24.50	118.50	12,000
120	24.5	118.50	12,000

Smaller components and hardware may be shipped separately, or shipped inside the unit. This hardware is typically packaged in a clear plastic envelope or cardboard box, and can be found inside the fan, mixing box, or access section.

Identification

Each air handler section includes a nameplate identifying the section type and functional components, customer tagging information, unit serial number, unit order number, the build-section position for installation, and the unit model number. See [Figure 1, p. 5](#).

Handling

Air handlers have an integral base frame designed with the necessary number of lift points for safe installation. See “Lifting and Rigging,” [p. 23](#).

Indoor air handlers sizes 3-30 are shipped with a shipping skid designed for forklift transport.

Receiving Checklist

Complete the following checklist immediately after receiving shipment to detect possible shipping damage.

- Check to ensure that the shipment is complete. Small components may ship inside the unit or ship separately. Check the parts list to ensure all materials are present. If any component is missing, contact your local Trane sales office.
- Check all units, components, connections, and piping. Check fan wheel for free rotation by spinning manually. Check all doors, latches and hinges. Inspect interior of each unit or section. Inspect coils for damage to fin surface and coil connections. Check for rattles, bent corners, or other visible indications of shipping damage. Tighten loose connections.
- If a unit is damaged, make specific notations concerning the damage on the freight bill. Do not refuse delivery.
- Notify the carrier’s terminal of the damage immediately by phone and mail. Request an immediate joint inspection of the damage by the carrier and consignee.
- Notify your Trane sales representative of the damage and arrange for repair. Do not attempt to repair the unit without consulting the Trane representative.
- Inspect the unit for concealed damage as soon as possible after delivery. Report concealed damage to the freight line. It is the receiver’s responsibility to provide reasonable evidence that concealed damage did not occur after delivery. Take photos of damaged material if possible.

Note: Concealed damage must be reported within 15 days of receipt.

Jobsite Storage

Indoor air handlers and field-installed accessories must be protected from the elements. A controlled indoor environment is recommended for proper storage.

Note: All factory shipping protection should be removed. This wrapping is for transit protection only.

The unit controller and all other electrical/electronic components should be stored in conditions of -20°F to 120°F and 5 to 95 percent relative humidity, non-condensing. Electrical components are not moisture-tolerant.

Outdoor units require no special protection for storage prior to installation.

Outdoor Storage

NOTICE

Corrosion!

Plastic tarps can cause condensation to form in and on the equipment, which could result in corrosion damage or wet storage stains. Use only canvas tarps to cover air handlers.

Outdoor storage is not recommended for units that will be installed indoors. However, when outdoor storage is necessary, several things must be done to prevent damage:

Note: Keep the equipment on the original wooden blocks/skid for protection and ease of handling.

- Select a well-drained area, preferably a concrete pad or blacktop surface.
- Place the unit on a dry surface or raised off the ground to assure adequate air circulation beneath the unit and to assure no portion of the unit will contact standing water at any time.
- Loosen the belt tension on the drive belts.
- Cover the unit securely with a canvas tarp.
- Do not stack units.
- Do not pile other material on the unit.

Long-Term Storage

For longer periods of storage, allow proper clearance around the unit to perform periodic inspections and maintenance on the equipment. While the unit is in storage:

- Every two weeks, rotate the fan and motor shaft 30 revolutions by hand. Check for free rotation.
- Every six months, check fan shaft bearings and grease lines. Add grease using a manual grease gun following the lubrications recommendations in "[Fan Bearing Lubrication](#)," p. 161.

- Check the motor lubrication; remove and clean grease plugs and check for the presence of moisture in the grease. If moisture is present, remove the motor and send it to an authorized repair shop for bearing inspection/replacement. If no moisture is present, refer to the motor manufacturer's lubrication recommendation for proper lubrication.

Site Preparation

- Ensure the installation site can support the total weight of the unit (see "[Dimensions and Weights](#)," p. 11 for approximate section weights; refer to the unit submittals for actual weights).
- Allow sufficient space for adequate free air and necessary service access (see "[Service Clearance Recommendations](#)," p. 11). Refer to submittals for specific minimums.
- Allow room for supply and return piping, ductwork, electrical connections, and coil removal.
- Ensure there is adequate height for condensate drain requirements. See "[Drain Pan Trapping](#)," p. 101.

Note: If unit is installed in a mechanical room on a pad, inadequate height may necessitate core-drilling the floor to attain proper trap height. Insufficient height could inhibit condensate drainage and result in flooding the unit and/or equipment room.

NOTICE

Microbial Growth!

Standing water and wet surfaces inside the equipment can become an amplification site for microbial growth (mold), which could cause odors and damage to the equipment and building materials. The floor or foundation must be level and the condensate drain at the proper height for proper coil drainage and condensate flow.

- Confirm the roof curb or foundation of the mounting platform is level and large enough to accommodate the unit. Refer to the unit submittals for specific dimensions.
- Provide adequate lighting for maintenance personnel to perform maintenance duties.
- Provide permanent power outlets in close proximity to the unit for installation and maintenance.
- Depending upon job requirements, 120 Vac power may need to be provided for the unit controller. Refer to submittals for more information. A dedicated 15-amp circuit is recommended.
- Wiring for the air handler must be provided by the installer and must comply with all national and local electrical codes.
- If the unit integral base frame ceiling suspension provisions are not used, the installer/contractor must provide a ceiling-suspended mounting frame

Pre-Installation

designed to support the length, width, and weight of the entire air-handling unit. See “[Ceiling Suspension](#),” p. 29 for more information.

- Rooftop curb-mounted units must be sealed tightly to the curb. Use proper sealants and roof-to-curb sealing techniques to prevent water and air leakage. Refer to CLCH-SVN05A-EN Roof Curbs for Performance Climate Changer™ Air Handlers Installation Instructions.

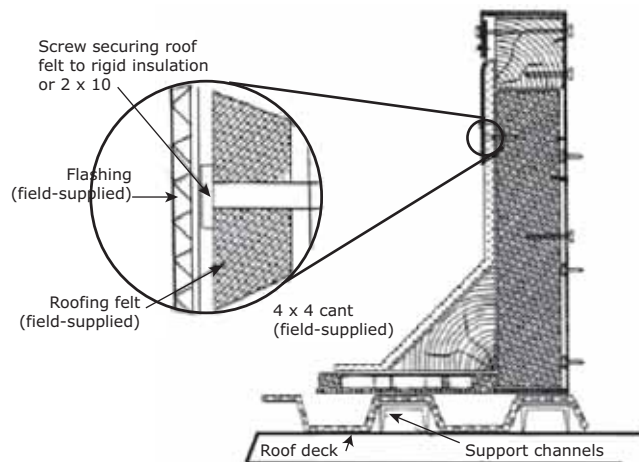
Note: Preparation of the roof curb or pier mount and roof openings should be completed prior to lifting the unit to the roof.

Roof Curb Installation Checklist

See CLCH-SVN05A-EN Roof Curbs for Performance Climate Changer™ Air Handlers Installation Instructions for information on installing roof curbs.

It is recommended that the curb be installed directly on the support members and fastened to the supports using tack welds or other equivalent methods. Properly supported decking should be installed inside the air handler section of the curb when this method is used. See [Figure 2](#).

Figure 2. Cross section of typical curb installation on new construction



1. Verify that the roof structure can adequately support the combined weight of the unit and curb assembly.
2. Ensure that the selected installation location provides sufficient service and operational clearances.
3. Remove any twist within the curb due to roof supports and square the curb.
4. Level the curb.
5. Secure the curb to the roof support members.
6. Install 2-inch thick boards or rigid insulation around the curb.
7. Install cant strips around the curb.
8. Bring field supplied roofing felt up to the top of the curb nailing strips. Nail felt into place.
9. Install field supplied flashing under the lip of the curb flanges and over the felt.
10. Apply sealant to the four corners.
11. Caulk all joints between the curb and the roof. Attach the gasket material to the curb's top flanges (entire perimeter) and to the supply and return air duct opening panel flanges.



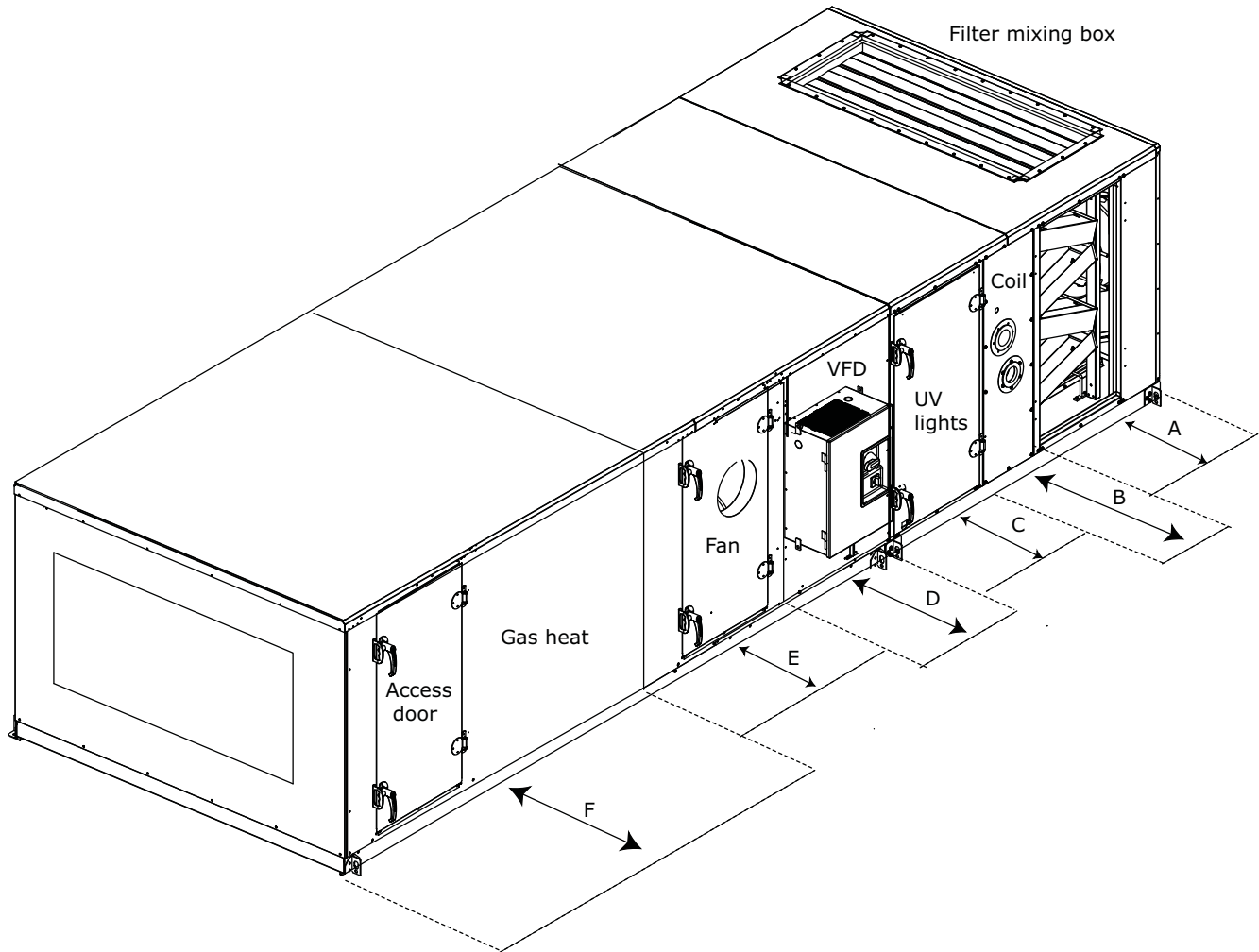
Dimensions and Weights

Service Clearance Recommendations

A minimum clearance of the section width plus 12 inches on the access door side of the gas heat section is recommended for routine maintenance. This clearance provides enough room to replace the heat exchanger in

the event of failure. The section side panels must be removed to access the heat exchanger. Refer to the following figure for service clearance recommendations for the air handler.

Figure 3. Service clearance for indoor units



Dimensions and Weights

Table 3. Service clearance dimensions (inches)

Component	Unit Size																		
	3	4	6	8	10	12	14	17	21	25	30	35	40	50	57	66	80	100	120
A (filter)	48	48	48	48	48	48	48	48	48	48	48	48	48	48	48	52	56	58	58
B (coil, humidifier)	48	59	59	66	77	82	87	87	95	95	109	115	128	141	141	156	156	170	197
B (staggered coils)	n/a	n/a	n/a	n/a	n/a	n/a	n/a	n/a	67	67	76	80	88	96	96	105	105	113	129
C (UV Lights)	48	48	48	48	48	48	48	48	48	48	48	48	48	48	48	52	56	58	58
C (TCACS)	43	59	59	63	75	81	83	83	58	58	83	75	83	83	83	83	83	75	83
D (external motor control or low voltage panel)	61	61	61	61	61	61	61	61	64	64	64	64	64	64	64	64	64	64	64
D (internal starter or VFD)	48	48	48	48	48	48	48	48	48	48	48	48	48	48	48	48	48	48	48
E (fan)	48	48	48	48	51	54	58	61	60	66	66	66	70	77	77	93	93	101	101
F (gas heat Ext Vestibule)	n/a	n/a	89	90	108	100	100	105	115	115	118	136	140	156	156	170	179	180	n/a
F (gas heat Int Vestibule)	n/a	n/a	56	63	74	79	84	84	92	92	106	112	125	138	138	153	153	167	194

Notes: At a minimum, the above clearance dimensions are recommended on one side of the unit for regular service and maintenance. Refer to as-built submittal for locations of items such as filter access doors, coil, piping connections, motor locations, hoods, pipe cabinets, etc. Sufficient clearance must be provided on all sides of unit for removal of access panels, plug panels, or section-to-section attachment brackets. Clearance for starters, VFDs, or other high-voltage devices must be provided per NEC requirements. For specific dimensional and weight information, refer to the unit submittals. The dimensions and weights in this manual are approximate. Trane has a policy of continuous product and product data improvement and reserves the right to change design and specifications without notice.

Figure 4. Service clearance for control box

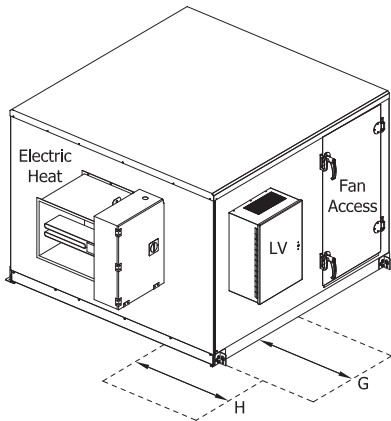


Table 4. Service clearance dimensions (inches) for control box

Component	Unit Size																		
	3	4	6	8	10	12	14	17	21	25	30	35	40	50	57	66	80	100	120
G (LV component - 18 pt term strip)	13	13	13	13	13	13	13	13	13	13	13	13	13	13	13	13	13	13	13
G (LV component - > 18 pt term strip)	36	36	36	36	36	36	36	36	36	36	36	36	36	36	36	36	36	36	36
H (electric heat duct mount)	48	48	48	48	48	48	48	48	48	48	48	n/a	n/a	n/a	n/a	n/a	n/a	n/a	n/a

Section Dimensions and Weights

Table 5. Section dimensions (inches) and weights (pounds) — unit sizes 3 to 30

Nominal airflow ¹	1500	2000	3000	4000	5000	6000	7000	8500	10,500	12,500	15,000
Airflow at 625 fpm ²	2169	3475	4338	4581	6075	8331	9025	11,806	13,456	16,944	19,025
Unit size	3	4	6	8	10	12	14	17	21	25	30
Height - indoor unit ³	29.00	29.00	35.25	37.75	37.75	41.50	41.50	49.00	52.75	61.50	61.50
Width	31.50	44.00	44.00	50.50	61.50	66.50	72.00	72.00	80.00	80.00	93.50
Height for outdoor unit includes base drip lip ⁴	36.25	36.38	42.63	45.13	45.13	49.25	49.25	56.75	60.50	69.25	69.25
Weight add for outdoor unit (lbs/in. of unit length)	1.66	1.91	1.91	2.04	2.27	2.40	2.51	2.51	2.68	2.68	2.94
Access or blank⁵											
-Small horizontal	10.00	10.00	10.00	10.00	10.00	10.00	10.00	10.00	10.00	10.00	10.00
	48.05	57.43	60.55	66.67	74.92	80.55	84.67	88.41	96.28	100.65	110.78
-Medium horizontal	14.00	14.00	14.00	14.00	14.00	14.00	14.00	14.00	14.00	14.00	14.00
	59.91	71.18	75.25	82.74	92.66	99.61	104.57	109.45	119.10	124.79	136.97
-Extended-medium horizontal	19.00	19.00	19.00	19.00	19.00	19.00	19.00	19.00	19.00	19.00	19.00
	74.73	88.37	93.62	102.82	114.83	123.43	129.44	135.74	147.62	154.97	169.71
-Medium-large horizontal	24.50	24.50	24.50	26.50	26.50	26.50	26.50	24.50	24.50	24.50	24.50
	121.60	107.28	113.84	132.94	148.08	159.18	166.74	164.66	178.99	188.17	205.72
-Large horizontal or turning	34.00	34.00	34.00	36.00	36.00	36.00	36.00	36.00	34.00	46.00	46.00
	137.75	164.85	179.46	208.50	235.01	257.70	271.35	293.42	314.60	413.45	457.18
-Extra-large horizontal or turning	36.00	41.00	41.00	44.00	42.50	42.50	42.50	44.00	50.25	56.50	56.50
	143.68	188.92	205.18	240.63	263.83	288.68	303.68	335.49	407.29	476.83	525.93
-Ducted inlet or ducted outlet section	10.00	10.00	10.00	10.00	10.00	10.00	10.00	10.00	10.00	10.00	10.00
	48.10	57.40	60.50	66.70	74.90	80.50	84.70	88.40	96.30	100.60	110.80
Blender	19.00	24.50	24.50	26.50	36.00	36.00	36.00	36.00	34.00	46.00	46.00
	94.86	132.71	146.30	173.34	238.64	264.12	276.73	303.71	323.59	427.13	470.25
Cool Dry Quiet (CDQ)	52.00	52.00	52.00	52.00	55.00	58.00	58.00	58.00	56.00	56.00	58.00
Desiccant Dehumidification	495.00	651.00	694.00	792.00	1011.00	1165.00	1326.00	1390.00	1793.00	1876.00	2029.00
Coils											
-Small horizontal (with 4-row UW)	10.00	10.00	10.00	10.00	10.00	10.00	10.00	10.00	10.00	10.00	10.00
	116.10	148.55	174.35	205.79	244.49	285.13	307.44	352.47	433.37	502.46	572.50
-Medium horizontal (with 8-row UW)	14.00	14.00	14.00	14.00	14.00	14.00	14.00	14.00	14.00	14.00	14.00
	168.65	220.23	265.58	318.97	382.53	450.07	488.32	569.79	700.27	817.63	941.48
-Extended-medium horizontal (with 8-row UW)	19.00	19.00	19.00	19.00	19.00	19.00	19.00	19.00	19.00	19.00	19.00
	185.58	239.53	286.06	341.16	406.80	476.00	516.35	599.24	737.96	858.03	985.30
-Medium-large horizontal (with 10-row W)	24.50	24.50	24.50	26.50	26.50	26.50	26.50	24.50	24.50	24.50	24.50
	270.61	359.79	433.08	554.88	656.63	777.26	884.93	1013.57	1262.10	1478.66	1503.93
-Large horizontal or vertical (with 10-row W)	34.00	34.00	34.00	36.00	36.00	36.00	36.00	36.00	34.00	46.00	46.00
	302.77	396.45	471.99	597.03	702.74	826.53	938.18	1081.30	1333.70	1652.36	1652.73



Dimensions and Weights

Table 5. Section dimensions (inches) and weights (pounds) — unit sizes 3 to 30 (continued)

Unit size	3	4	6	8	10	12	14	17	21	25	30
Staggered Coils											
Small horizontal (with max rows largest coil)	n/a	n/a	n/a	n/a	n/a	n/a	n/a	n/a	44.00 781.81	44.00 947.08	47.50 1084.67
Medium horizontal (with max rows largest coil)	n/a	n/a	n/a	n/a	n/a	n/a	n/a	n/a	52.00 1075.79	52.00 1229.29	55.50 1425.44
Extended-medium horizontal (with max rows largest coil)	n/a	n/a	n/a	n/a	n/a	n/a	n/a	n/a	62.00 1621.76	62.00 1879.72	65.50 2195.98
Medium-large horizontal (with max rows largest coil)	n/a	n/a	n/a	n/a	n/a	n/a	n/a	n/a	n/a n/a	n/a n/a	n/a n/a
Electric Heat Coil	36.00 295.00	41.00 364.00	41.00 413.00	44.00 480.00	42.50 563.00	42.50 622.00	42.50 666.00	44.00 731.00	50.25 876.00	46.00 1012.00	56.50 1244.00
Integral-face-and-bypass coil											
-Less than 4 rows	n/a	26.50	26.50	26.50	26.50	26.50	26.50	26.50	26.50	26.50	26.50
	n/a	355.20	367.21	470.21	541.93	585.86	619.66	733.14	792.88	805.52	940.46
-4 rows	n/a	43.00	43.00	43.00	43.00	43.00	43.00	43.00	43.00	43.00	43.00
	n/a	543.54	560.74	725.48	835.34	901.70	950.23	1131.90	1216.48	1399.66	1439.40
Controls section (with largest available VFD)	24.50 184.00	24.50 208.00	24.50 253.00	28.50 272.00	28.50 295.00	28.50 315.00	28.50 327.00	28.50 350.00	28.50 428.00	28.50 453.00	28.50 487.00
Diffuser	10.00 45.70	10.00 55.08	10.00 58.20	14.00 80.39	14.00 90.31	14.00 97.26	14.00 102.22	14.00 107.10	14.00 116.75	19.00 152.62	19.00 167.36
Discharge plenum⁶											
-Horizontal	34.00 135.40	34.00 162.50	34.00 177.11	36.00 206.15	36.00 232.66	36.00 255.35	36.00 269.00	36.00 291.07	34.00 312.25	46.00 411.10	46.00 454.83
-Vertical	36.00 159.90	41.00 211.48	41.00 233.54	44.00 275.69	42.50 306.29	42.50 339.58	42.50 358.68	44.00 401.43	50.25 486.37	56.50 570.00	56.50 634.27
Energy Wheel	n/a	52.00 609.00	52.00 663.00	52.00 765.00	55.00 911.00	58.00 1085.00	58.00 1208.00	58.00 1269.00	56.00 1484.00	56.00 1595.00	58.00 1868.00
Face-and-Bypass Dampers											
-Face-and-bypass	19.00 105.60	19.00 129.06	19.00 141.70	19.00 157.63	19.00 178.68	19.00 199.15	19.00 209.53	19.00 224.50	19.00 248.05	19.00 265.62	19.00 291.36
-External face-and-bypass	19.00 122.68	19.00 155.15	19.00 167.79	19.00 190.70	19.00 219.68	19.00 241.45	19.00 255.80	19.00 270.77	19.00 300.08	19.00 317.53	19.00 353.22
-Internal face-and-bypass or face damper only	19.00 107.95	19.00 140.46	19.00 149.91	19.00 174.82	19.00 203.43	19.00 227.60	19.00 241.91	19.00 255.18	19.00 291.55	19.00 306.62	19.00 341.36
Fans⁷											
-Belt-drive plenum (BDP) fan with motor	36.00 397.87	41.00 538.34	41.00 631.36	44.00 682.55	42.50 875.00	42.50 951.91	42.50 1069.39	44.00 1239.89	50.25 1443.56	50.25 1494.52	52.50 1751.34
-Housed FC fan with motor	36.00 368.77	41.00 449.75	41.00 544.28	44.00 589.00	42.50 721.69	42.50 882.15	42.50 904.21	44.00 1054.64	50.25 1329.38	56.50 1487.55	56.50 1710.85
-Housed AF/BC fan with motor	36.00 378.87	41.00 467.35	41.00 574.68	44.00 649.40	42.50 849.71	42.50 920.08	42.50 942.14	44.00 1098.21	50.25 1432.10	56.50 1572.28	56.50 1797.21
-Direct-drive plenum fan with motor	36.00 373.16	41.00 516.35	41.00 535.05	44.00 692.86	42.50 795.54	48.50 912.52	42.50 936.26	44.00 991.99	50.25 1380.92	56.50 1541.05	56.50 1652.91
-Vertical motorized impeller fan	36.00 182.00	41.00 237.00	41.00 265.00	44.00 313.00	46.75 362.00	48.50 415.00	48.50 436.00	50.00 487.00	50.25 544.00	46.00 574.00	46.00 633.00
-Horizontal motorized impeller fan	36.38 224.00	38.13 261.00	39.63 308.00	42.63 381.00	41.63 418.00	47.38 476.00	46.88 543.00	50.13 675.00	48.63 713.00	52.38 841.00	50.13 949.00
-Reduced horizontal motorized impeller fan	32.00 211.00	32.00 240.00	32.00 280.00	32.00 338.00	32.00 376.00	32.00 403.00	32.00 469.00	32.00 579.00	32.00 618.00	32.00 718.00	32.00 831.00

Table 5. Section dimensions (inches) and weights (pounds) — unit sizes 3 to 30 (continued)

Unit size	3	4	6	8	10	12	14	17	21	25	30
Filters											
-Side-load 2-in. angled	24.50	24.50	24.50	26.50	26.50	26.50	26.50	24.50	24.50	24.50	24.50
	134.55	163.83	175.66	202.44	225.96	251.82	265.94	314.12	347.50	403.70	454.19
-Side-load 4-in. angled	24.50	24.50	24.50	26.50	26.50	26.50	26.50	24.50	24.50	24.50	24.50
	141.89	176.87	192.86	209.64	247.16	254.22	273.54	352.07	379.13	409.37	465.65
-Side-load cartridge 12-in. or short bag 18-in.	24.50	24.50	24.50	26.50	26.50	26.50	26.50	24.50	24.50	24.50	24.50
	125.03	159.79	176.46	220.46	234.88	284.12	303.60	335.02	365.40	439.69	479.36
-Side-load 2-in. flat	14.00	14.00	14.00	14.00	14.00	14.00	14.00	14.00	14.00	14.00	14.00
	70.27	86.53	91.98	103.59	117.74	133.81	141.07	148.02	165.52	182.07	198.93
-Side-load 4-in. flat	14.00	14.00	14.00	14.00	14.00	14.00	14.00	14.00	14.00	14.00	14.00
	81.56	104.62	114.08	117.09	143.40	142.66	154.67	202.82	213.64	217.75	249.73
-Side-load 2-in. and 4-in. combination flat	19.00	19.00	19.00	19.00	19.00	19.00	19.00	19.00	19.00	19.00	19.00
	100.62	128.19	139.09	144.56	174.73	185.69	201.37	252.57	268.17	288.98	326.58
-Side-load long bag 30-in.	36.00	41.00	41.00	44.00	42.50	42.50	42.50	44.00	50.25	46.00	46.00
	159.54	203.31	223.70	269.26	289.43	330.97	349.19	382.94	461.96	488.89	523.37
-Front-load HEPA	40.00	40.00	40.00	40.00	40.00	40.00	40.00	40.00	40.00	40.00	40.00
	240.36	262.50	346.16	368.01	407.75	439.62	452.92	569.28	692.30	750.47	822.10
-Front-load cartridge	40.00	40.00	40.00	40.00	40.00	40.00	40.00	40.00	40.00	40.00	40.00
	215.15	237.79	285.59	310.12	341.11	386.04	399.01	470.25	525.86	580.13	651.47
-Front-load short bag	45.00	45.00	45.00	45.00	45.00	45.00	45.00	45.00	45.00	45.00	45.00
	222.35	246.75	279.75	306.39	335.16	369.65	383.67	432.15	473.60	518.05	566.55
Gas heat — Drum and Tube											
- 200 MBH	n/a	n/a	57.00	57.00	59.00	57.00	57.00	60.00	60.00	n/a	n/a
			752.92	797.85	852.48	912.57	937.05	1011.83	1074.91		
- 300 MBH	n/a	n/a	73.00	73.00	n/a	n/a	n/a	n/a	n/a	n/a	n/a
			901.27	953.49							
- 320/360 MBH	n/a	n/a	n/a	n/a	77.00	73.00	68.00	71.00	69.00	69.00	66.00
					1093.23	1131.38	1127.89	1211.08	1264.50	1348.04	1298.88
- 560 MBH	n/a	n/a	n/a	n/a	n/a	n/a	n/a	71.00	69.00	65.00	66.00
								1191.99	1246.59	1307.47	1441.79
- 700 MBH	n/a	n/a	n/a	n/a	n/a	n/a	n/a	83.00	75.00	75.00	76.00
								1479.92	1503.43	1599.35	1745.65
- 860 MBH	n/a	n/a	n/a	n/a	n/a	n/a	n/a	n/a	81.00	81.00	76.00
									1606.36	1711.24	1804.77
- 1000 MBH	n/a	n/a	n/a	n/a	n/a	n/a	n/a	n/a	87.00	90.00	85.00
									1364.25	1497.35	1560.01
Gas heat — Inshot											
- 95 MBh	n/a	41.136	41.136	n/a	n/a	n/a	n/a	n/a	n/a	n/a	n/a
		432	441								
- 205 MBh	n/a	56.636	41.136	56.636	56.636	n/a	n/a	n/a	n/a	n/a	n/a
		625	441	691	733						
- 240 MBh	n/a	n/a	n/a	n/a	n/a	44.386	44.386	44.386	n/a	n/a	n/a
						639	657	686			
- 325 MBh	n/a	n/a	74.136	74.136	74.136	57.386	57.386	57.386	n/a	n/a	n/a
			856	919	970	854	875	910			
- 405 MBh	n/a	n/a	n/a	84.136	84.136	n/a	n/a	n/a	n/a	n/a	n/a
				1027	1068						
- 485 MBh	n/a	n/a	n/a	n/a	n/a	67.136	67.136	67.136	n/a	n/a	n/a
						997	1021	1060			
- 650 MBh	n/a	n/a	n/a	n/a	n/a	n/a	n/a	n/a	66.006	66.006	66.006
									1348	1391	1453
- 970 MBh	n/a	n/a	n/a	n/a	n/a	n/a	n/a	n/a	81.006	81.006	81.006
									1646	1695	1767



Dimensions and Weights

Table 5. Section dimensions (inches) and weights (pounds) — unit sizes 3 to 30 (continued)

Unit size	3	4	6	8	10	12	14	17	21	25	30
Humidifier⁸											
-Building steam	14.00	14.00	14.00	14.00	14.00	14.00	14.00	14.00	14.00	14.00	14.00
	125.00	146.00	165.00	184.00	226.00	269.00	286.00	324.00	354.00	398.00	452.00
-Atmospheric steam	14.00	14.00	14.00	14.00	14.00	14.00	14.00	14.00	14.00	14.00	19.00
	127.00	168.00	178.00	203.00	252.00	276.00	312.00	339.00	396.00	432.00	528.00
Mixing box											
-with angled filters	34.00	34.00	34.00	36.00	36.00	36.00	36.00	36.00	34.00	46.00	46.00
	137.75	164.85	179.46	208.50	235.01	257.07	271.35	293.42	314.60	413.45	457.18
-with front/back Traq and top Traq dampers	36.00	41.00	41.00	44.00	42.50	42.50	42.50	44.00	50.25	56.50	56.50
	191.06	247.07	272.06	321.58	356.08	396.49	418.78	463.57	555.65	646.61	715.15
-reduced length with side/top/back/bottom airfoil damper	23.40	23.40	23.40	23.40	23.40	23.40	28.40	28.40	28.40	28.40	32.50
	131.80	158.30	177.90	202.80	231.60	257.60	298.40	328.40	370.10	408.10	485.80
Multizone⁹											
- 2-deck vertical discharge	n/a	n/a	52.00	52.00	64.50	64.50	64.50	62.50	70.00	72.00	72.00
			495.00	561.00	740.00	815.00	865.00	900.00	1098.00	1169.00	1305.00
-1-deck vertical discharge	n/a	n/a	57.00	57.00	57.00	57.00	57.00	57.00	70.00	72.00	72.00
			363.00	410.00	462.00	502.00	538.00	568.00	721.00	785.00	869.00
Silencer											
-3 ft	38.00	38.00	38.00	38.00	38.00	38.00	38.00	38.00	38.00	38.00	38.00
	198.00	256.00	286.00	319.00	359.00	442.00	461.00	512.00	573.00	699.00	800.00
-5 ft	62.00	62.00	62.00	62.00	62.00	62.00	62.00	62.00	62.00	62.00	62.00
	308.00	391.00	436.00	483.00	541.00	678.00	704.00	780.00	873.00	1073.00	1215.00
Trane Catalytic Air Cleaning System (TCACS)	36.00	36.00	36.00	36.00	36.00	36.00	36.00	36.00	36.00	36.00	36.00
	334.73	367.14	389.21	434.66	470.05	497.59	514.12	544.30	599.38	665.11	711.12
UV light	14.00	14.00	14.00	14.00	14.00	14.00	14.00	14.00	14.00	14.00	14.00
	76.02	93.64	98.69	120.26	135.22	146.68	155.07	162.95	179.84	188.71	218.33
Sections below are for outdoor units only											
Diagonal economizer											
-with airfoil dampers	46.00	49.00	50.00	48.00	53.00	53.00	57.00	52.00	63.00	57.00	63.00
	187.00	231.00	256.00	276.00	334.00	365.00	407.00	414.00	534.00	548.00	649.00
-with airfoil damper and one side Traq damper	46.00	49.00	50.00	48.00	53.00	53.00	57.00	52.00	63.00	57.00	63.00
	204.00	247.00	271.00	290.00	349.00	378.00	426.00	431.00	555.00	565.00	689.00
-with motorized impeller fan	30.62	37.34	43.11	51.50	57.04	63.33	75.59	75.24	84.13	94.57	117.63
Exhaust damper section	19.00	19.00	19.00	19.00	19.00	19.00	19.00	19.00	19.00	19.00	19.00
	93.30	113.30	124.30	140.20	159.60	176.70	186.80	204.00	229.10	250.50	280.40

Table 5. Section dimensions (inches) and weights (pounds) — unit sizes 3 to 30 (continued)

Unit size	3	4	6	8	10	12	14	17	21	25	30
Hoods											
-Back inlet hood with moisture eliminator airfoil and Traq dampers	22.25	44.00	44.00	50.38	61.50	66.38	71.88	72.00	79.88	79.88	93.38
	16.45	27.43	28.03	43.37	30.68	39.46	41.60	48.91	58.03	70.43	88.77
-Side inlet hood with moisture eliminator airfoil and Traq dampers	20.00	20.00	20.00	20.00	22.88	22.88	31.38	25.75	29.13	25.75	27.88
	13.24	13.24	17.08	21.89	22.99	31.33	33.26	37.70	49.27	63.07	72.07
-Exhaust hood - airfoil damper	20.00	20.00	20.00	20.00	22.88	22.88	31.38	25.75	29.13	25.75	27.88
	12.36	12.36	15.95	20.47	21.26	29.08	29.65	34.70	45.03	58.67	67.02
-Economizer inlet hood with moisture eliminator	45.50	49.00	49.50	48.00	53.00	53.00	56.50	52.00	62.50	57.00	62.50
	40.42	31.13	38.02	52.31	58.30	64.42	133.62	170.43	174.54	208.64	217.75
- Inlet hood for motorized impeller fan with economizer	22.11	22.11	27.86	27.86	33.61	33.61	36.36	37.49	39.99	39.49	45.11
	28.89	31.26	43.31	50.62	57.44	63.94	71.40	86.45	100.87	121.19	135.13
-Exhaust hood for motorized impeller fan with economizer	22.47	28.22	28.22	28.22	33.97	34.97	37.97	41.22	43.22	39.72	45.47
	21.40	31.92	31.92	39.45	44.86	54.92	58.74	72.07	88.58	108.36	117.88
Pipe cabinet weight											
15 in. long, 36 in. deep	104.00	104.00	116.00	120.00	120.00	127.00	127.00	141.00	148.00	164.00	164.00
24 in. long, 36 in. deep	122.00	122.00	135.00	140.00	140.00	147.00	147.00	162.00	170.00	187.00	187.00
48 in. long, 36 in. deep	169.00	169.00	184.00	191.00	191.00	200.00	200.00	218.00	228.00	249.00	249.00
96 in. long, 36 in. deep	263.00	263.00	284.00	293.00	293.00	305.00	305.00	331.00	343.00	373.00	373.00

Notes: ¹Nominal airflow is based on 500 fpm through a nominal coil (i.e. 500xunit size 8=4000 cfm). ²Airflow@625 fpm through the flat filter (maximum filter velocity). ³Height includes standard 2.5-inch base frame for sizes 3-57 and 6-inch base frame for sizes 66-120. ⁴Height includes 6-inch base frame for sizes 3-120. ⁵Variable lengths available from 14-96 inches. ⁶Nominal length and height shown for discharge plenums. Variable plenum height and length is available from 0.5 to 1.5 of nominal. ⁷Fan section weights include the heaviest fan with the largest ODP motor available. ⁸Access section required with humidifiers for dispersion distance. ⁹Multizone weight does not include cooling coil on lower deck.



Dimensions and Weights

Table 6. Section dimensions (inches) and weights (pounds) - unit sizes 31-120

Nominal airflow ¹	17,500	20,000	25,000	28,500	33,000	40,000	50,000	60,000
Airflow at 625 fpm ²	23,263	25,519	34,375	39,581	47,225	53,475	65,106	76,388
Unit size	35	40	50	57	66	80	100	120
Height - indoor unit ³	67.25	67.25	75.75	85.50	92.50	107.50	119.75	119.75
Width	100.00	112.50	125.50	125.50	140.50	140.50	154.50	182.00
Height for outdoor unit includes base drip lip ⁴	75.00	75.00	84.38	94.13	97.63	112.63	124.88	124.88
Weight add for outdoor unit (lbs/in. of unit length)	3.02	3.28	3.73	6.12	2.57	2.57	2.80	3.25
Access or blank⁵								
-Small horizontal	10.00	10.00	10.00	10.00	n/a	n/a	n/a	n/a
	211.11	227.92	254.69	265.35				
-Medium horizontal	14.00	14.00	14.00	14.00	15.00	15.00	15.00	15.00
	241.53	260.24	290.28	302.41	430.36	449.60	493.59	549.13
-Extended-medium horizontal	19.00	19.00	19.00	19.00	19.00	19.00	19.00	19.00
	279.57	300.64	334.76	348.74	476.36	497.88	545.85	605.56
-Medium-large horizontal	24.50	24.50	24.50	24.50	24.50	24.50	24.50	24.50
	321.40	345.09	410.37	427.50	574.11	600.46	656.89	725.47
-Large horizontal or turning	48.00	48.00	48.00	48.00	49.00	54.00	60.00	60.00
	514.42	557.22	639.24	682.26	907.93	1036.33	1242.40	1387.96
-Extra-large horizontal or turning	63.75	63.75	68.50	n/a	n/a	n/a	n/a	n/a
	624.86	675.12	809.42					
-Ducted inlet or ducted outlet section	10.00	10.00	10.00	10.00	10.00	10.00	10.00	10.00
	211.10	227.90	254.70	265.30	372.90	389.30	428.30	478.60
Blender	48.00	48.00	48.00	48.00	49.00	54.00	60.00	60.00
	540.76	593.46	675.51	731.75	970.30	1112.23	1345.03	1567.62
Cool Dry Quiet (CDQ) Desiccant Dehumidification	56.00	56.00	59.00	n/a	n/a	n/a	n/a	n/a
	2914.00	3122.00	4224.00					
Coils								
-Small horizontal (with 4-row UW)	10.00	10.00	10.00	10.00	n/a	n/a	n/a	n/a
	690.59	754.61	934.27	1044.33				
-Medium horizontal (with 8-row UW)	14.00	14.00	14.00	14.00	15.00	15.00	15.00	15.00
	1094.27	1219.78	1561.92	1759.58	2220.94	2558.94	3094.04	3638.44
-Extended-medium horizontal (with 8-row UW)	19.00	19.00	19.00	19.00	19.00	19.00	19.00	19.00
	1148.70	1279.06	1613.56	1813.06	2275.46	2615.73	3163.21	3712.02
-Medium-large horizontal (with 10-row W)	24.50	24.50	24.50	24.50	24.50	24.50	24.50	24.50
	1955.08	2216.68	2754.49	3215.01	3876.05	4488.82	5499.42	6713.50
-Large horizontal or vertical (with 10-row W)	48.00	48.00	48.00	48.00	n/a	n/a	n/a	n/a
	2131.70	2401.84	2985.19	3454.40				
Staggered Coils								
Small horizontal (with max rows largest coil)	49.00	51.50	54.50	54.50	n/a	n/a	n/a	n/a
	1239.16	1358.54	1740.02	1921.19	n/a	n/a	n/a	n/a
Medium horizontal (with max rows largest coil)	57.00	59.50	62.50	62.50	68.50	68.50	70.50	76.00
	1629.33	1807.39	2337.91	2643.08	2834.74	3283.32	3740.49	4377.96
Extended-medium horizontal (with max rows largest coil)	67.00	69.50	72.50	72.50	76.50	76.50	78.50	84.00
	2519.67	2815.10	3050.80	3471.98	4156.92	4938.48	5672.92	6666.73
Medium-large horizontal (with max rows largest coil)	n/a	n/a	83.50	83.50	87.50	87.50	89.50	95.00
	n/a	n/a	3841.11	4311.87	5217.20	6253.55	7187.36	8426.40

Table 6. Section dimensions (inches) and weights (pounds) - unit sizes 31-120

Unit size	35	40	50	57	66	80	100	120
Electric Heat Coil	63.75 1666.00	63.75 1825.00	68.50 2267.00	48.00 2297.00	49.00 2857.00	n/a	n/a	n/a
Integral-face-and-bypass coil								
-Less than 4 rows	29.50 1129.66	29.50 1168.40	29.50 1793.80	29.50 1956.80	29.50 2322.61	29.50 2378.60	29.50 2865.77	29.50 2936.42
-4 rows	43.00 1677.52	43.00 1720.20	n/a	n/a	n/a	n/a	n/a	n/a
Controls section (with largest available VFD)	28.50 637.00	28.50 674.00	28.50 745.00	28.50 787.00	28.50 964.00	28.50 1031.00	28.50 1146.00	28.50 1266.00
Diffuser	24.50 319.05	24.50 342.74	24.50 381.33	24.50 397.35	27.50 571.76	37.25 715.78	37.25 781.92	37.25 860.66
Discharge plenum⁶								
-Horizontal	48.00 627.24	48.00 677.47	48.00 772.27	48.00 821.10	49.00 1058.35	54.00 1198.64	60.00 1423.88	60.00 1585.80
-Vertical	63.75 876.48	63.75 949.58	68.50 1136.53	n/a	n/a	n/a	n/a	n/a
Energy Wheel	61.00 2403.00	65.00 2742.00	65.00 3111.00	n/a	n/a	n/a	n/a	n/a
Face-and-Bypass Dampers								
-Face-and-bypass	19.00 473.39	19.00 556.23	19.00 630.10	19.00 714.61	19.00 888.33	19.00 973.60	19.00 1093.88	19.00 1205.53
-External face-and-bypass	22.00 566.46	22.00 660.36	22.00 740.29	22.00 831.66	39.00 1256.07	39.00 1348.84	39.00 1498.11	39.00 1643.69
-Internal face-and-bypass or face damper only	19.00 502.53	19.00 575.62	19.00 678.20	19.00 714.61	19.00 888.33	19.00 954.26	19.00 1082.84	19.00 1194.50
Fans⁷								
-Belt-drive plenum (BDP) fan with motor	53.50 2368.54	53.50 2740.37	57.50 3263.68	59.50 3599.82	61.00 4062.62	63.00 4745.62	73.75 6223.51	82.25 7341.11
-Housed FC fan with motor	63.75 2400.18	63.75 2603.08	68.50 3151.89	68.50 3235.63	84.00 4201.67	92.00 4922.58	96.00 5297.62	96.00 5600.08
-Housed AF/BC fan with motor	63.75 2429.71	63.75 2695.61	68.50 3221.42	68.50 3305.16	84.00 4311.38	92.00 5101.29	96.00 6025.44	96.00 6891.90
-Direct-drive plenum fan with motor	63.75 2057.87	60.00 2406.73	65.00 3469.95	68.50 3545.86	84.00 4903.24	92.00 5456.86	96.00 7176.65	96.00 7382.51
Vertical motorized impeller fan	48.00 831.00	48.00 906.00	48.00 1038.00	48.00	n/a	n/a	n/a	n/a
-Horizontal motorized impeller fan	50.13 1040.00	52.63 1225.00	52.13 1319.00	52.25 1402.00	n/a	n/a	n/a	n/a
-Reduced horizontal motorized impeller fan	32.00 913.00	32.00 1070.00	32.00 1148.00	32.00 1222.00	n/a	n/a	n/a	n/a



Dimensions and Weights

Table 6. Section dimensions (inches) and weights (pounds) - unit sizes 31-120

Unit size	35	40	50	57	66	80	100	120
Filters								
-Side load 2-in. angled	24.50	24.50	27.50	27.50	27.50	27.50	27.50	27.50
	593.86	649.06	770.02	797.89	989.00	1088.02	1157.16	1282.20
-Side load 4-in. angled	24.50	24.50	27.50	27.50	27.50	27.50	27.50	27.50
	594.02	631.64	768.20	805.97	999.89	1105.14	1201.91	1338.65
-Side load cartridge 12-in. or short bag 18-in.	24.50	24.50	27.50	27.50	27.50	27.50	27.50	27.50
	681.24	668.25	878.57	934.14	1239.99	1364.91	1746.31	1903.54
-Side load 2-in. flat	14.00	14.00	14.00	14.00	15.00	15.00	15.00	15.00
	319.66	358.18	408.69	438.52	598.12	637.02	716.56	817.63
-Side load 4-in. flat	14.00	14.00	14.00	14.00	15.00	15.00	15.00	15.00
	359.20	375.13	451.33	498.71	657.87	729.15	803.46	913.90
Filters								
-Side load 2-in. and 4-in. combination flat	19.00	19.00	19.00	19.00	19.00	19.00	19.00	19.00
	476.00	504.37	600.40	671.64	853.08	981.02	1078.09	1165.92
-Side-load long bag 30-in.	37.25	37.25	37.25	37.25	37.25	37.25	37.25	37.25
	657.41	716.04	826.72	906.56	1094.61	1270.51	1393.17	1549.80
-Front-load HEPA	40.00	40.00	40.00	40.00	40.00	40.00	40.00	40.00
	985.62	1128.46	1397.21	1520.35	1845.81	2141.38	2553.97	2924.72
-Front-load cartridge	40.00	40.00	40.00	40.00	40.00	40.00	40.00	40.00
	867.68	922.78	1093.06	1173.89	1449.48	1671.46	1923.09	2155.95
-Front-load short bag	45.00	45.00	45.00	45.00	45.00	45.00	45.00	45.00
	750.89	799.75	917.08	979.84	1231.49	1365.35	1538.95	1696.33
Gas Heat — Drum and Tube								
- 200 MBH	n/a	n/a	n/a	n/a	n/a	n/a	n/a	n/a
- 300 MBH	n/a	n/a	n/a	n/a	n/a	n/a	n/a	n/a
- 320/360 MBH	66.00	n/a	n/a	n/a	n/a	n/a	n/a	n/a
	1402.11							
- 560 MBH	66.00	64.00	64.00	64.00	n/a	n/a	n/a	n/a
	1594.61	1468.07	1853.53	1900.53	n/a	n/a	n/a	n/a
- 700 MBH	73.00	75.00	74.00	74.00	74.00	n/a	n/a	n/a
	1895.19	1804.11	2190.52	2241.91	2490.63	n/a	n/a	n/a
- 860 MBH	80.00	75.00	74.00	74.00	74.00	74.00	n/a	n/a
	2046.29	2098.72	2280.52	2331.91	2580.63	2198.81	n/a	n/a
- 1000 MBH	80.00	81.00	77.00	77.00	74.00	74.00	84.00	92.00
	1723.73	1844.68	2325.57	2082.86	2300.63	1918.81	3156.04	3125.34
- 1250-1750 MBH	101.00	105.00	106.00	106.00	109.00	109.00	92.00	102.00
	2540.84	2717.94	3264.84	2942.76	3309.39	2949.68	3878.54	3886.60
- 2000 MBH	n/a	n/a	114.00	114.00	112.00	112.00	109.00	109.00
			3758.71	3430.29	3688.33	3320.33	4503.52	4391.21
-2400 MBH	n/a	n/a	n/a	n/a	118.00	112.00	121.00	119.00
					3890.31	3455.33	4715.85	4668.51
Humidifier⁸								
-Building steam	14.00	14.00	14.00	14.00	15.00	15.00	15.00	15.00
	544.00	599.00	782.00	897.00	1123.00	1215.00	1363.00	1551.00
-Atmospheric seam	19.00	19.00	19.00	19.00	19.00	19.00	19.00	19.00
	581.00	665.00	724.00	803.00	977.00	1078.00	1265.00	1492.00

Table 6. Section dimensions (inches) and weights (pounds) - unit sizes 31-120

Unit size	35	40	50	57	66	80	100	120
Mixing box								
-with angled filters	48.00	48.00	48.00	48.00	49.00	54.00	60.00	60.00
	519.12	561.92	653.36	653.36	946.02	1077.83	1287.99	1433.55
-with front/back Traq and top Traq dampers	63.75	63.75	68.50	68.50	84.00	92.00	96.00	96.00
	966.49	1073.80	1261.78	1365.59	1907.28	2151.42	2473.12	2790.48
-reduced length with side/top/back/bottom airfoil damper	35.50	38.50	41.50	41.50	41.50	41.50	47.00	53.00
	708.50	795.10	947.60	1022.70	1328.50	1453.60	1731.30	2025.40
Multizone⁹								
- 2-deck vertical discharge	88.00	88.00	88.00	n/a	n/a	n/a	n/a	n/a
	1730.00	1878.00	2289.00					
-1-deck vertical discharge	79.50	79.50	79.50	n/a	n/a	n/a	n/a	n/a
	1075.00	1150.00	1310.00					
Silencer								
-3 ft	38.00	38.00	38.00	38.00	38.00	38.00	38.00	38.00
	918.00	974.00	1226.00	1332.00	1573.00	1741.00	2196.00	2555.00
-5 ft	62.00	62.00	62.00	62.00	62.00	62.00	62.00	62.00
	1335.00	1439.00	1795.00	1945.00	2313.00	2555.00	3230.00	3786.00
Trane Catalytic Air Cleaning System (TCACS)								
	36.00	36.00	36.00	36.00	36.00	36.00	36.00	36.00
	881.59	935.35	1044.28	1148.17	1362.38	1451.30	1707.27	1881.13
UV light								
	14.00	14.00	14.00	14.00	15.00	15.00	15.00	15.00
	325.48	352.71	394.34	419.43	574.52	604.11	667.60	758.72
Diagonal economizer								
-with airfoil dampers	75.00	83.00	72.00	76.00	83.00	86.00	93.00	93.00
	931.00	1062.00	1120.00	1223.00	1680.00	1851.00	2173.00	2396.00
-with airfoil damper and one side Traq damper	75.00	83.00	72.00	76.00	83.00	86.00	93.00	93.00
	973.00	1101.00	1169.00	1266.00	1722.00	1920.00	2290.00	2494.00
Exhaust damper section								
	24.50	24.50	24.50	22.40	22.40	22.40	22.40	22.40
	450.80	489.90	565.60	586.60	755.30	820.10	935.50	1058.30
Hoods								
-Back inlet hood with moisture eliminator - airfoil and Traq dampers	99.88	112.38	125.38	125.38	126.00	140.00	140.00	167.25
	175.86	195.13	229.85	269.82	317.00	344.00	491.00	566.00
-Side inlet hood with moisture eliminator - airfoil and Traq dampers	40.88	40.88	44.75	37.25	37.25	37.25	43.00	48.75
	122.04	128.02	160.97	174.27	189.00	258.00	412.00	415.00
-Exhaust hood - airfoil damper	40.88	40.88	39.63	37.25	37.25	37.25	43.00	48.75
	72.80	76.89	92.81	113.92	129.00	174.00	206.00	221.00
-Economizer inlet hood with moisture eliminator	75.00	83.00	72.00	75.50	83.00	86.00	93.00	93.00
	194.99	274.95	358.02	345.28	418.35	522.34	629.31	778.43
Pipe cabinet weight								
15 in. long, 36 in. deep	175.00	175.00	191.00	209.00	215.00	243.00	265.00	265.00
24 in. long, 36 in. deep	199.00	199.00	216.00	236.00	243.00	273.00	298.00	298.00
48 in. long, 36 in. deep	263.00	263.00	284.00	309.00	317.00	354.00	385.00	385.00
96 in. long, 36 in. deep	392.00	392.00	421.00	454.00	466.00	517.00	558.00	558.00

Notes: ¹Nominal airflow is based on 500 fpm through a nominal coil (i.e. 500xunit size 8=4000 cfm). ²Airflow@625 fpm through the flat filter (maximum filter velocity). ³Height includes standard 2.5-inch base frame for sizes 3-57 and 6-inch base frame for sizes 66-120. ⁴Height includes 6-inch base frame for sizes 3-120. ⁵Variable lengths available from 14-96 inches. ⁶Nominal length and height shown for discharge plenums. Variable plenum height and length is available from 0.5 to 1.5 of nominal. ⁷Fan section weights include the heaviest fan with the largest ODP motor available. ⁸Access section required with humidifiers for dispersion distance. ⁹Multizone weight does not include cooling coil on lower deck.



Dimensions and Weights

Fans/Motors

Note: Trane has a Precision Motor™ option for direct-drive plenum fans. This offering takes a general purpose motor and re-rates the motor for higher rated loads. This maximizes part-load motor efficiency and precisely sizes the motor for the application. To use these tables, the nameplate hp of the motor and the VFD—both of which will be greater than the Precision Motor hp—must be known.

Starter/VFD Weights

With the exception of motorized impellers, fan weight does not include starter/VFD weight. See [Table 7](#) for approximate starter/VFD weight.

Table 7. Approximate starter and VFD weights per horsepower (lbs.)

Horsepower	1	1 1/2	2	3	5	7 1/2	10	15	20	25	30	40	50	60	75	100	125
Starter ¹	65	65	65	65	65	65	65	65	65	97	97	97	97	97	97	97	97
VFD ²	123	123	132	124	125	136	151	162	177	197	241	325	332	243	258	294	314

Note: ¹These weights represent the largest available starter. ²VFD weights include transformer, distribution block, and enclosure.

Motor Weights

Fan weights provided in this manual include the heaviest ODP (open drip-proof) motor. In the case of motorized impellers, fan weights include the packaged motor.

Table 8. Approximate motor weights (pounds)

Motor Type	Motor RPM	Horsepower																	
		3/4	1	1-1/2	2	3	5	7-1/2	10	15	20	25	30	40	50	60	75	100	125
Energy efficient ODP (EEOP)	1800	24	29																
NEMA Premium ODP (HEOP)	1200		39	77	91	147	126	249	300	375	443	594	667						
NEMA Premium TEFC (HETC)			56	96	109	148	185	310	341	423	481	614	655						
NEMA Premium ODP (HEOP)	1800		36	42	47	76	82	118	148	234	263	330	379	488	521	698	808	1114	1238
NEMA Premium TEFC (HETC)				47	54	56	91	108	159	185	285	315	452	481	578	670	808	889	1239
NEMA Premium ODP (HEOP)	3600		36	36	37	89	104	173	203	267	243	261	407						
NEMA Premium TEFC (HETC)				36	53	62	85	103	154	176	287	322	448	496					

Installation - Mechanical

Lifting and Rigging

Remove Shipping Tie-Downs

Prior to unit placement, remove the shipping tie-downs.

Figure 5. Remove shipping tie-downs

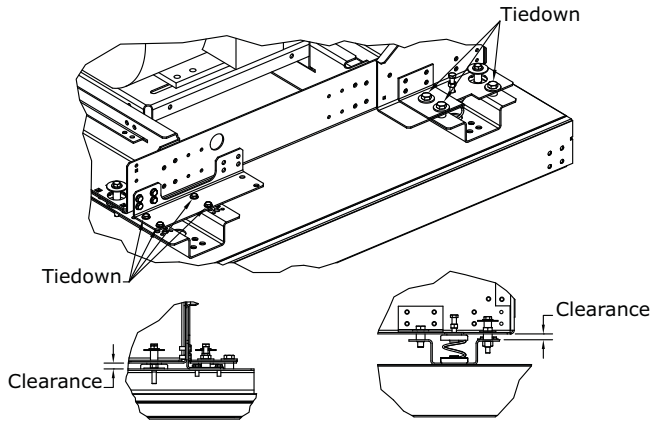


Figure 6. Shipping tie-down - rear view

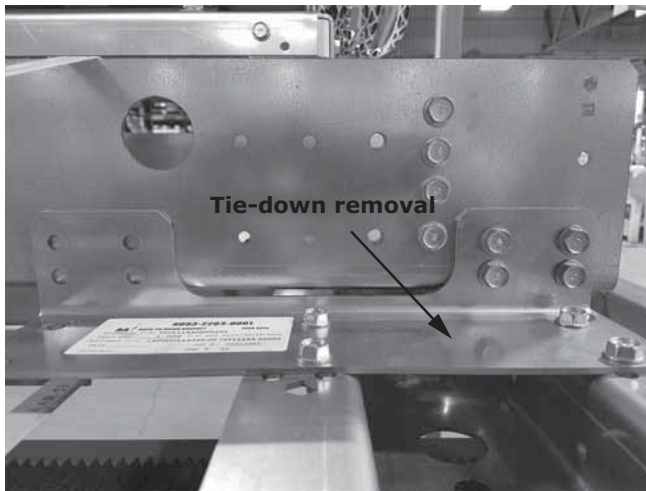
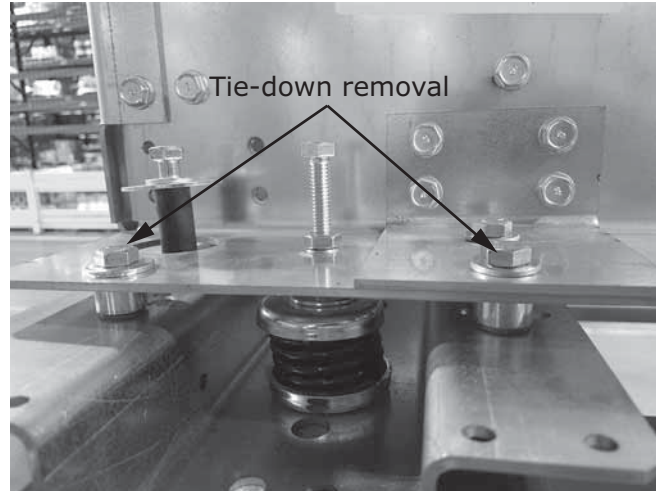


Figure 7. Shipping tie-down - front view



- Shipping tie-downs are located at each corner of the isolation base.

Figure 8. Isolator tie-down for unit sizes 3-8

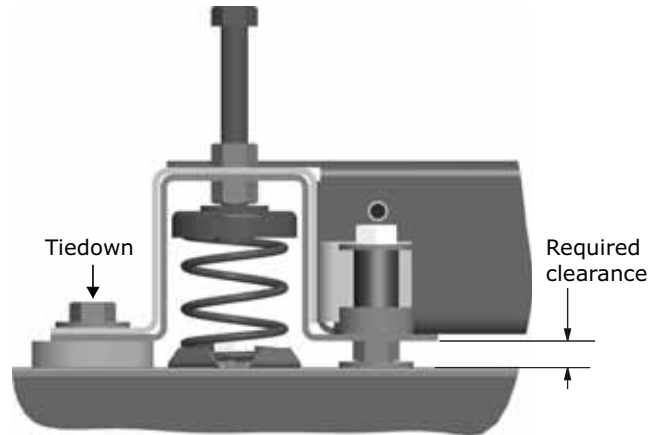


Figure 9. Isolator tie-down for unit sizes 10-30

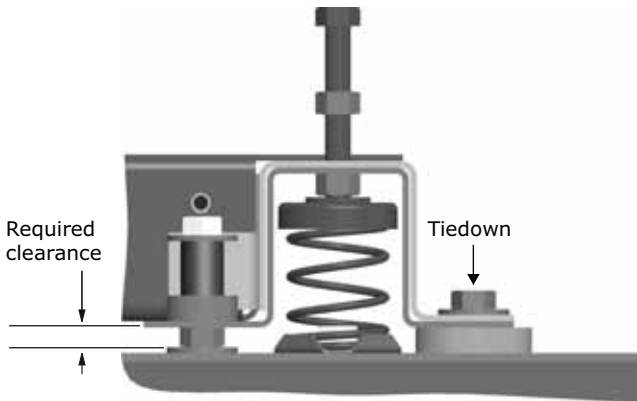


Figure 10. Isolator tie-down removal for unit sizes 66-120



Figure 11. Isolator tie-down removal for unit sizes 35 - 120

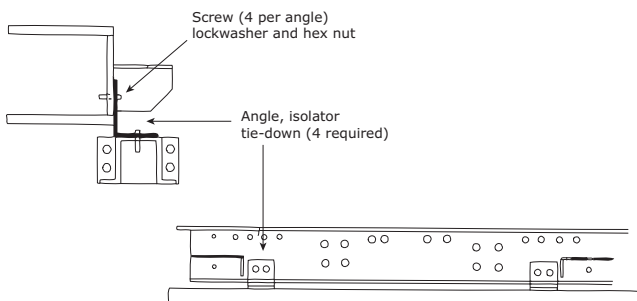
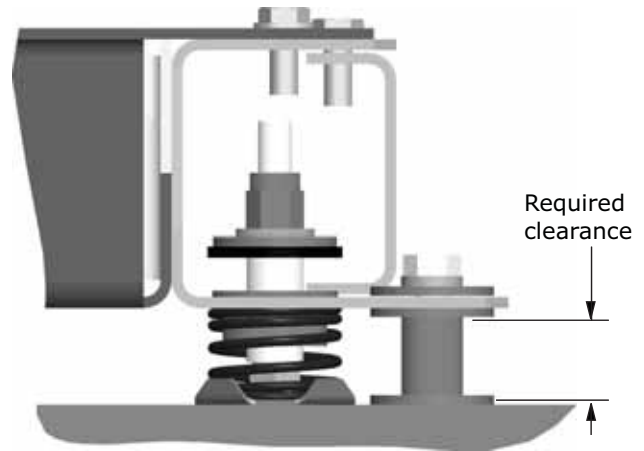
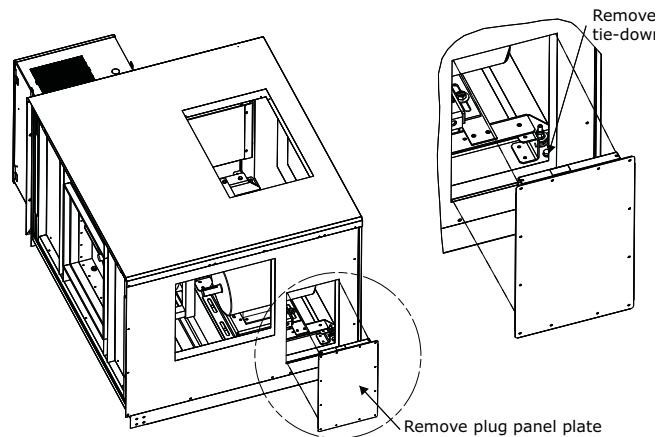


Figure 12. Belt-drive plenum fan tie-down



- Access for removal of shipping tie-downs for unit sizes 3-30 is available through the fan section access door or opposite drive-side plug panel. See [Figure 13](#).

Figure 13. Plug panel plate



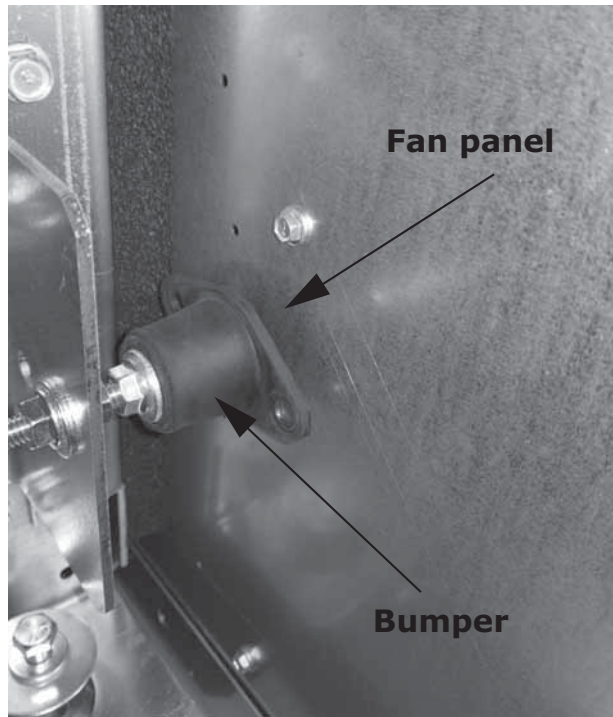
- Access for removal of shipping tie-downs for unit sizes 3-30 is available through the fan section access door or opposite drive-side plug panel. See [Figure 13](#).
- Remove the bolt. This will release the isolator and make it possible to remove the pipe or spacer.
- Replace plug panel if applicable.

Note: For outdoor air handlers, after isolator tie-down is removed, remove the paper backing from the butyl tape around plug panel perimeter prior to replacing plug panel.

DDP Fan Thrust Bumper

Confirm bumpers are not attached to the fan panel. The bumpers should be 1/2" from the panel to allow fan to free float on the spring isolators.

Figure 14. DDP fan thrust bumper



General Lifting Considerations

⚠ WARNING

Risk of Unit Dropping!

Placing, assembling, and/or suspending more than one module/subassembly at a time could result in module/subassemblies dropping and crushing technicians which could result in death, serious injury, or equipment damage. Always place, assemble, and suspend modules/subassemblies one at a time.

⚠ WARNING

Improper Unit Lift!

Failure to properly lift unit could result in unit dropping and possibly crushing operator/technician which could result in death or serious injury and possible equipment or property-only damage. Test lift unit approximately 24 inches to verify proper center of gravity lift point. To avoid dropping of unit, reposition lifting point if unit is not level.

NOTICE

Equipment Damage!

Premature skid removal could result in equipment damage. Keep skid in place until unit is ready to set. Do not move the unit or subassembly without the skid in place as shipped from the factory.

Before preparing the unit for lifting, estimate the approximate center of gravity for lifting safety. Because of placement of internal components, the unit weight may be unevenly distributed, with more weight in the coil and fan areas. Approximate unit weights are provided in "Dimensions and Weights," p. 11. Refer to the unit submittals for actual section weights. Test the unit for proper balance before lifting.

For outdoor air handlers, preparation of the roof curb or pier mount and roof openings must be completed before lifting to the roof. See CLCH-SVN04A-EN Roof Curbs for Performance Climate Changer Air Handlers installation instructions for details.

⚠ WARNING

Heavy Objects!

Failure to follow instructions above or properly lift unit could result in unit dropping and possibly crushing operator/technician which could result in death or serious injury. Ensure that all the lifting equipment used is properly rated for the weight of the unit being lifted. Each of the cables (chains or slings), hooks, and shackles used to lift the unit must be capable of supporting the entire weight of the unit. Lifting cables (chains or slings) may not be of the same length. Adjust as necessary for even unit lift. Other lifting arrangements could cause equipment or property damage.

Always rig sub-assemblies or sections as they ship from the factory. Never bolt sections together before rigging.

- Make the loop of the sling parallel to the direction of airflow, if possible.
- When hoisting the unit into position, use the proper rigging method, such as straps, slings, spreader bars, or lifting lugs for protection and safety.
- Use all lifting lugs provided. See [Figure 15](#) and [Table 16](#) and [Table 9](#) for lug hole sizes and location.

Figure 15. Lifting lugs for low-capacity and high-capacity units

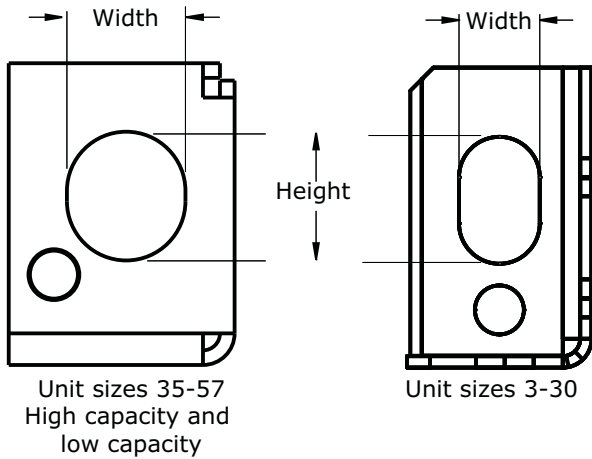


Table 9. Lug hole dimensions for low-capacity (under 3000 lbs.) and high-capacity (3000 lbs and over) units

Section	Location	Unit Size	Width	Height
Unit Lug Hole Size	Indoor	3-30	0.88	1.38
	Indoor	35-57	1.31	1.43
	Indoor	66-120	1.25	2.75
	Outdoor	3-30	1.25	2.75
Pipe Cabinet	Outdoor	3-120	2.5-in. diameter	
Hood	Outdoor	3-120	1-in. diameter	

- For unit sizes 3 to 120 with integral base frame, use field-provided spreader bars and slings to rig units and subassemblies as shown in Figure 18. The air handler is not designed to be lifted or rigged from the top of the unit.

Figure 16. Lifting lug for pipe cabinets and hoods

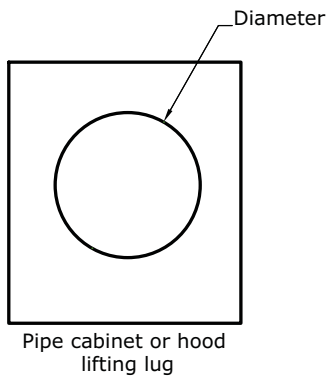


Figure 18. Lifting detail for unit sizes 3 to 120

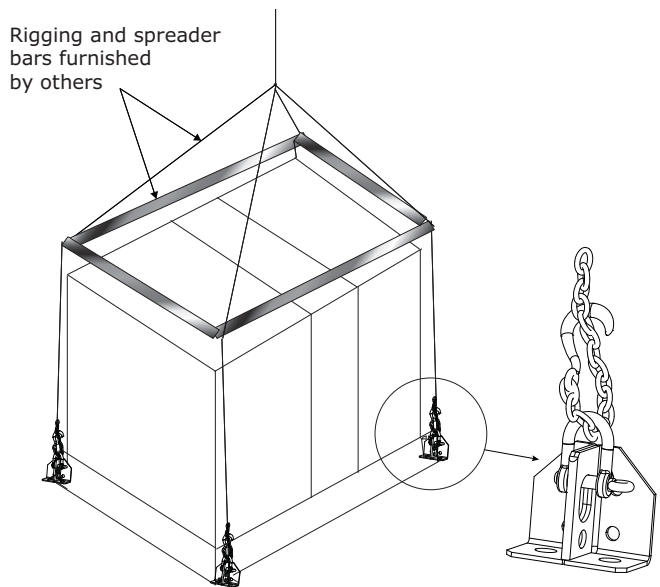
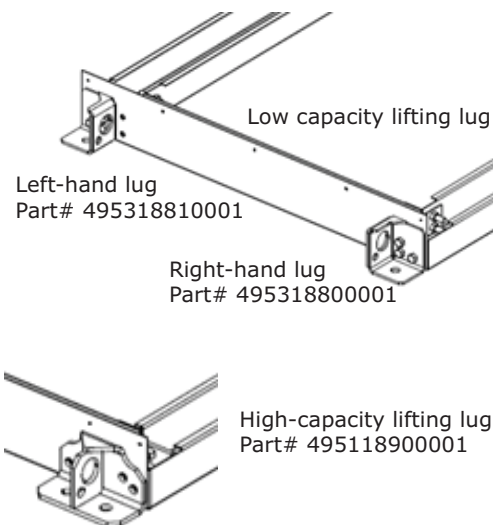


Figure 17. Lifting lug part numbers



- For outdoor units, never stack the pipe cabinet or inlet hood on the unit as it is being lifted.
- Do not attach the intake/exhaust hood or pipe cabinet to the unit prior to lifting the unit. Doing so may damage the equipment. Attach the hoods to the unit only after all sections are in place.
- For outdoor air handlers, all shipping supports and crating on the face of the sections must be removed to permit proper fit-up and sealing of the surfaces. Dispose of properly.

Lifting Hoods and Pipe Cabinets

⚠ WARNING

Risk of Unit Dropping!

Placing, assembling, and/or suspending more than one module/subassembly at a time could result in module/subassemblies dropping and crushing technicians which could result in death, serious injury, or equipment damage. Always place, assemble, and suspend modules/subassemblies one at a time.

Figure 19. Lifting inlet and exhaust hoods

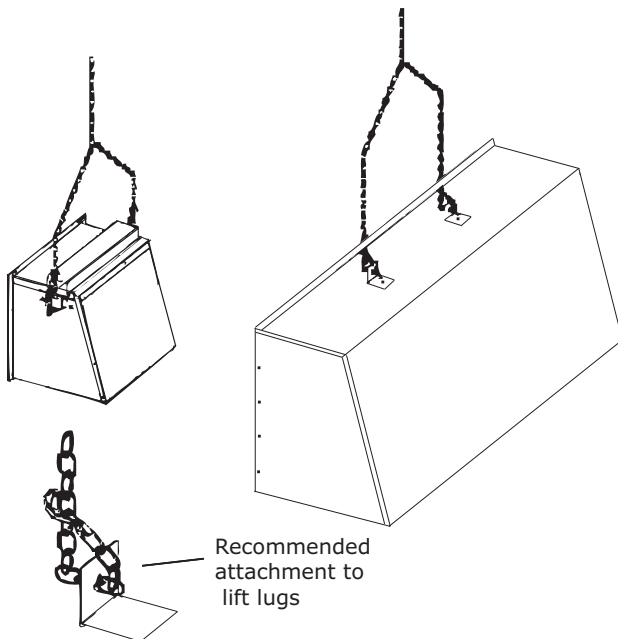
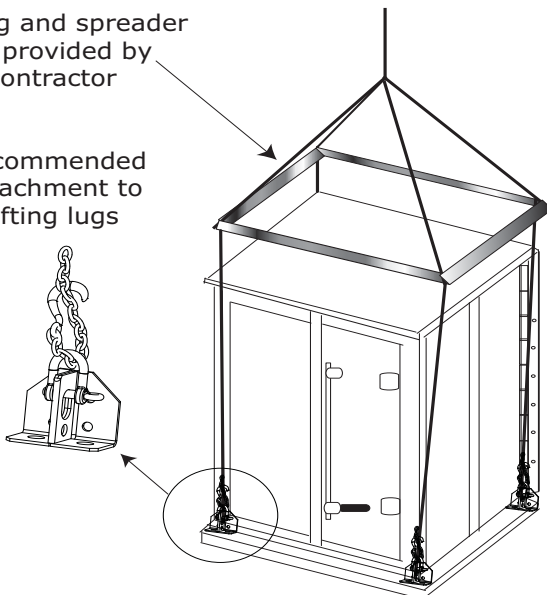


Figure 20. Lifting pipe cabinets

Rigging and spreader bar provided by contractor

Recommended attachment to lifting lugs



Forklifting Considerations

NOTICE

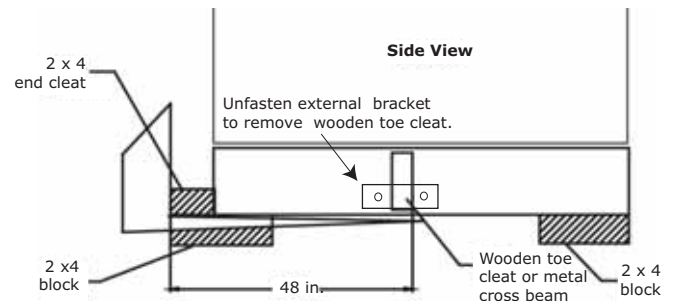
Equipment Damage!

Improper use of fork lifts on units larger than size 30 could result in equipment damage. Do not use a fork lift on air handlers or subassemblies larger than size 30. Trane is not responsible for equipment damage resulting from improper fork lifting practices.

Note: Do not use a forklift on outdoor air handlers or indoor air handlers/subassemblies larger than size 30.

For unit sizes 3-30, a forklift may be used to lift a single section or small subassembly, provided the forks extend under both ends of the base frame, or as indicated in Figure 21. The forks should not contact the bottom of the air handler. Units should only be lifted from the proper end identified by the lifting label on the unit. A lifting crane or other means should be used for larger units where forks cannot extend under both base rails.

Figure 21. Fork lift points with base rail



Unit Placement and Assembly

If the air handler ships in subassemblies or in individual sections, some assembly is required, including:

- Ceiling-suspended indoor unit assembly; see "[Ceiling Suspension](#)," p. 29.
- Section-to-section assembly; see "[Section-to-Section Assembly](#)," p. 30.

⚠ WARNING

Toxic Fumes!

The unit contains polyurethane insulation. Flame could produce toxic gas which could result in death or serious injury. Keep open flame away from unit exterior or interior. Do not weld or use cutting torch on the exterior or interior of the unit.

NOTICE

Equipment Damage!

Failure to comply with temperature requirements could result in equipment damage. The internal sections of this unit containing electrical components must not exceed 104° F operating temperature. Internal sections of the unit which do not contain electrical components must not exceed 200° F temperature.

⚠ WARNING

Risk of Unit Dropping!

Placing, assembling, and/or suspending more than one module/subassembly at a time could result in module/subassemblies dropping and crushing technicians which could result in death, serious injury, or equipment damage. Always place, assemble, and suspend modules/subassemblies one at a time.

NOTICE

Microbial Growth!

Standing water and wet surfaces inside the equipment can become an amplification site for microbial growth (mold), which could cause odors and damage to the equipment and building materials. The floor or foundation must be level and the condensate drain at the proper height for proper coil drainage and condensate flow.

If a unit arrives in sections, then each section must be individually hoisted, set on the housekeeping pad, roof curb, or pier mount and then assembled.

Refer to the unit submittals and unit tagging for correct placement of all sections. If there are any discrepancies between the submittals and the unit tagging, contact your local Trane representative before proceeding.

Following the order of the sections on the unit submittals and tagging, individually place each unassembled section or subassembly in the appropriate installation location.

Note: Prior to placing fan section in the appropriate installation location, verify shipping tie-downs have been removed.

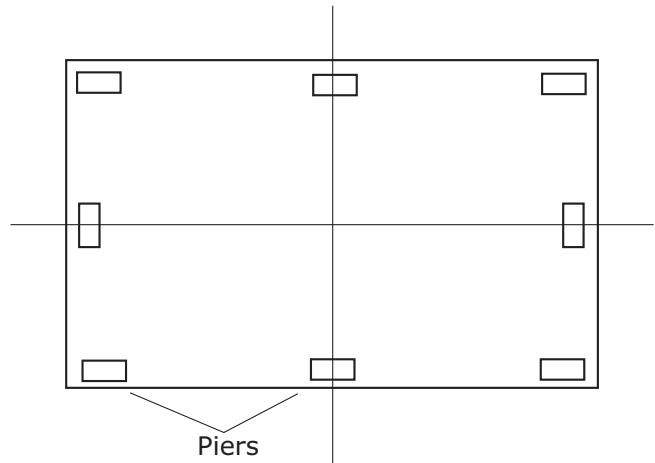
For outdoor units, the pipe cabinet must also be mounted as an individual section. Refer to ["Pipe Cabinet Installation," p. 38](#) for specific instructions.

When mounting the unit on a roof curb, make sure the gasketing between the roof curb and unit base provides an airtight seal.

When mounting the unit on a pier mount, locate one pier at each corner as a minimum, directly underneath any shipping split (ensure full support under each side) and then every four feet at equally spaced intervals around the perimeter of the unit. Both the unit and the pipe cabinet

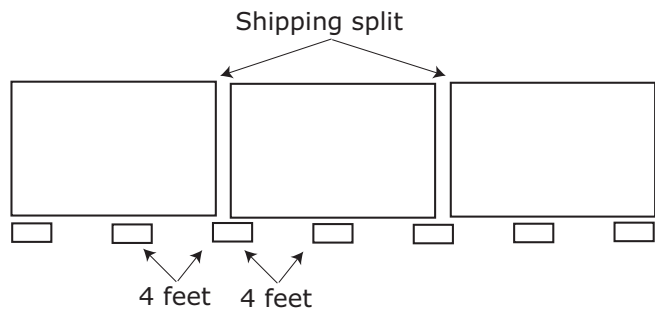
should be supported by their base around the entire perimeter. See [Figure 22](#) and [Figure 23](#).

Figure 22. Piers located in each corner and spaced evenly every four feet



Note: Piers beneath shipping splits must be structurally sound to support the weight of the unit.

Figure 23. Side view with two shipping splits - locate one pier directly under each shipping split



Note: Piers beneath shipping splits must be structurally sound to support the weight of the unit.

For proper operation, the unit must be installed level (zero tolerance) in both horizontal axes. For vertical discharge units, allow space under the unit for supply air ductwork connections.

Note: Air handlers often include optional factory-provided casing penetration entry points for field-provided wiring. Consider overall unit serviceability and accessibility before mounting, running wires (power), making cabinet penetrations, or mounting any components to the cabinet.

See ["Component Installation," p. 61](#) for special assembly/installation considerations.

Removing the Shipping Skid

Remove the wooden shipping blocks, wooden toe cleat if there is one, and end cleats prior to lowering unit into final position or installing the unit to the roof curb.

Ceiling Suspension

⚠ WARNING

Risk of Unit Dropping!

Improper use of the mounting legs could result in unit dropping and crushing technicians which could result in death or serious injury, and equipment damage. Do not use mounting legs for ceiling suspension, external isolation, or unit support during module placement. Mounting legs are designed only to secure the unit to the floor, housekeeping pad, or platform.

Note: Ceiling suspension is not recommended for units larger than size 57 unless using a field-provided mounting frame.

Using a Field-Provided Mounting Frame

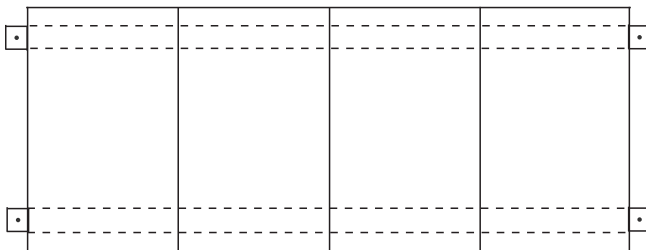
If a field-provided mounting frame is used for ceiling suspension, the installer/contractor must provide a ceiling-suspended mounting frame designed to support the length, width, and weight of the entire air-handling unit. See “[Dimensions and Weights](#),” p. 11 for approximate weights.

Note: It is the building engineer’s responsibility to size the structural channels and to provide the appropriate hangers.

Structural channels in a field-provided frame can be mounted parallel to airflow or perpendicular to airflow:

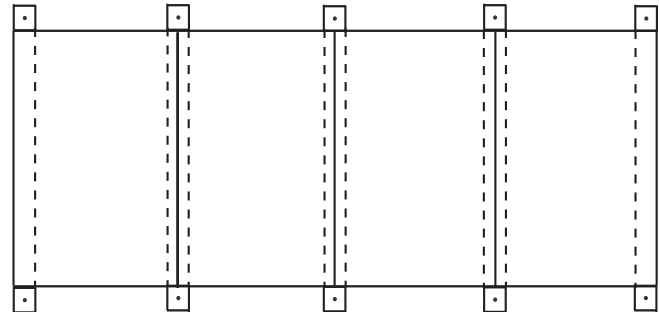
- For parallel-to-airflow channels, size channels based on a four-point load distribution (see [Figure 24](#)).

Figure 24. Typical suspension method-parallel channels



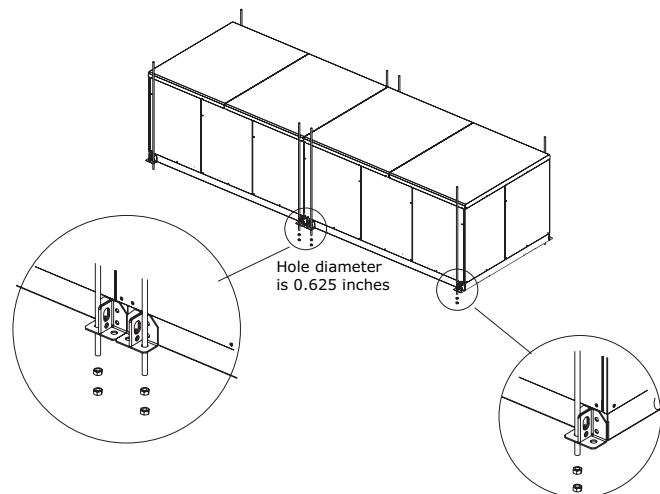
- For perpendicular-to-airflow channels, size channels based on the load distribution of the individual sections and install the channels so that *both ends of every section are supported* (see [Figure 25](#)).

Figure 25. Typical ceiling suspension-perpendicular channels



Using Integral Base Frame

Figure 26. Ceiling suspension for unit sizes 3-57



If using the factory-provided integral base frame for ceiling suspension, individual sections and/or subassemblies will have base frame shipping splits and base frame lifting lugs. When using the base frame for ceiling suspension:

- Suspend the unit (on both sides of the unit) at each shipping split lug as well as the four corners of the unit (see [Figure 26](#)). See [Figure 15](#) and [Figure 16](#) and [Table 9](#) on page 26 for lug hole sizes.
- Bolt shipping splits together.

The hanger rods must extend through the bottom of the base lug. It is the building engineer’s responsibility to provide the appropriate hangers.

Shipping Gussets

Prior to pulling the shipping splits together, the shipping gussets (see [Figure 27](#)) should be removed to simplify panel removal (except for hurricane units or units that require OSHPD certification). If there is enough access after joining the shipping splits, the gussets can be

removed after they are joined. The exception to this rule is for size 35-50 stacked units. For these sizes, the gussets should be left in place for the lower level unit unless they are installed in a shipping split that contains a coil. The other exception is when access to install or change out front-loaded filters is restricted or blocked.

Figure 27. Shipping gusset



Do not mistake the coil structural gusset (see [Figure 28](#)) used on unit sizes 66-120 with the shipping gussets.

Figure 28. Coil structural gusset



Section-to-Section Assembly

Air handlers ship with all necessary assembly hardware and gasket material. The hardware should be packaged in either a clear plastic envelope or yellow bag inside the fan section, access section, or mixing box.

The number of sections to be assembled often makes it necessary to use more than one section to ship the assembly material; therefore, check all sections thoroughly before contacting your Trane sales representative to report missing items.

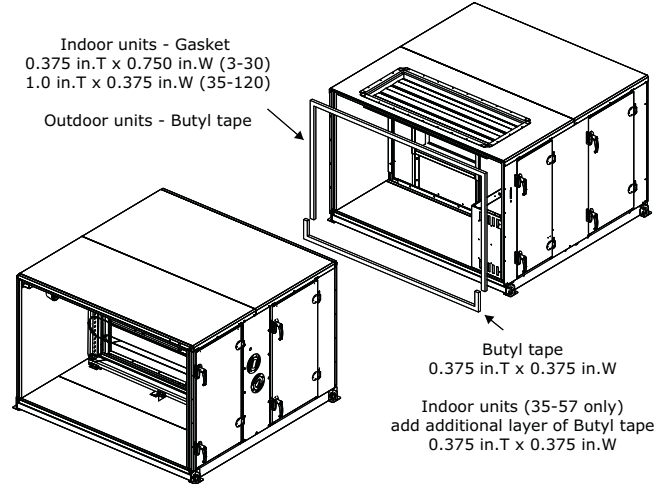
Sections are joined with gasketing applied to one of the mating surfaces and hardware to bolt the sections together. The gasketing for section-to-section joints is a closed cell foam with adhesive backing.

To assemble the unit:

1. Locate the mounting hardware and gasket material.
2. All shipping supports and crating on the face of the sections must be removed and discarded to permit proper fit-up and sealing of the surfaces. Remove any

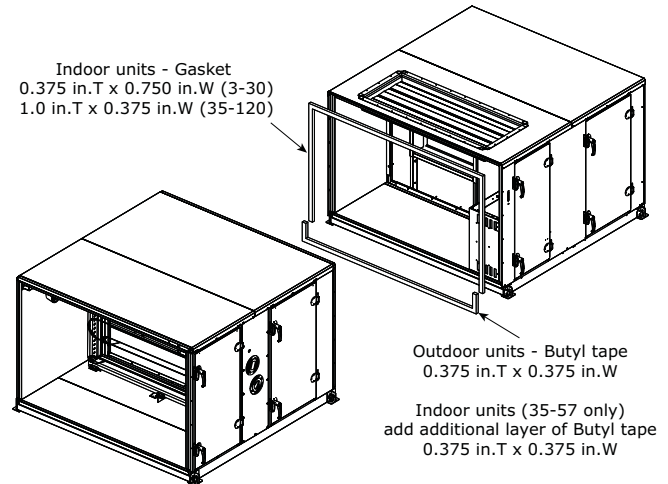
shipping bolts located on the mounting surfaces of the sections (see [Figure 29](#)).

Figure 29. Section-to-section installation



3. Apply the gasketing to one of the mating surfaces; see [Figure 29](#), [Figure 30](#), and [Figure 33](#).

Figure 30. Coil section-to-downstream section bolt up with splash guard



Note: Gasket/Butyl tape should be on outermost edge of panel. See installation in [Figure 31](#) and [Figure 32](#)

Figure 31. Install Butyl tape to outermost edge of panel.

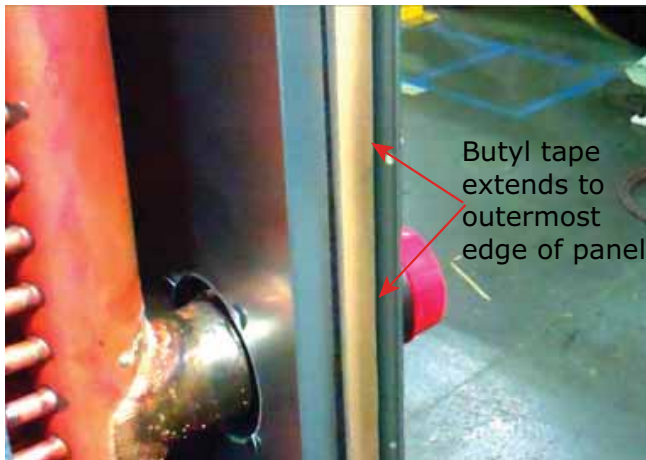
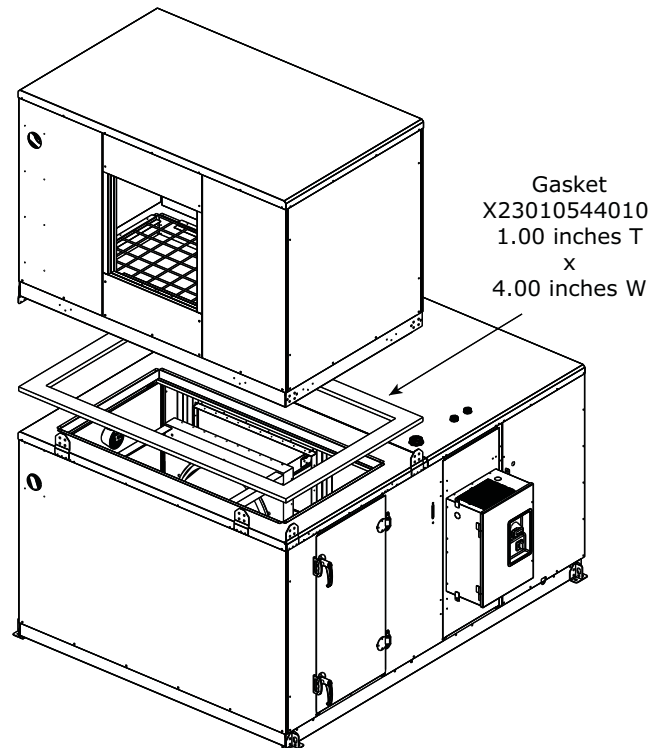


Figure 32. Install gasket to outermost edge of panel



Figure 33. Stacked unit assembly (shown for sizes 3-50)



4. If the unit is equipped with factory-mounted controls, move adjacent subassembly within six inches and fasten quick connects where the sections bolt together. See [Figure 34](#) for low voltage. See [Figure 35](#) and [Figure 36](#) for high voltage.

Note: Reference the appropriate controller manual for more details on the installation of units with factory-mounted controls.

Figure 34. Horizontal section-to-section low voltage quick connects

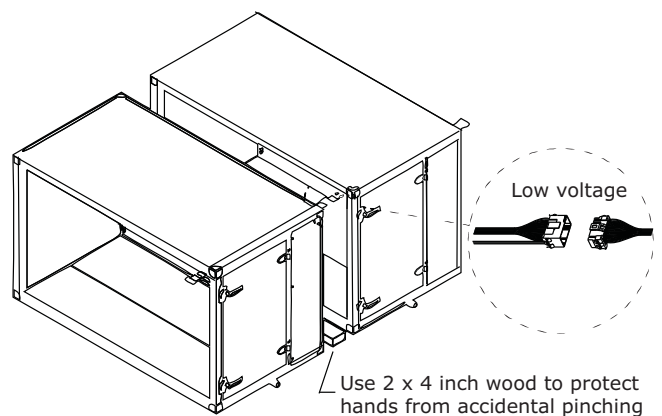


Figure 35. Horizontal section-to-section high voltage quick connects



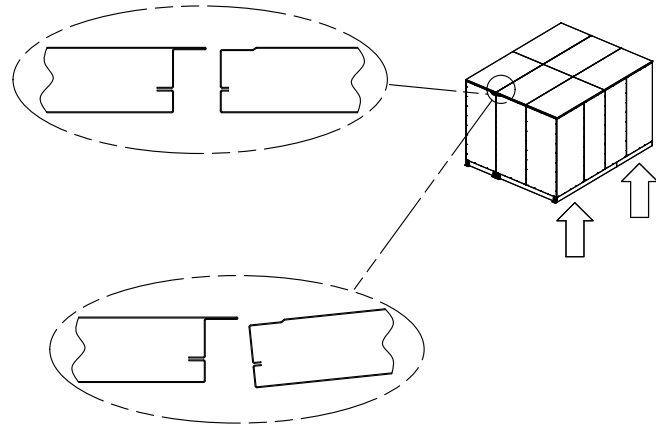
5. Assemble and seat connections per color code.

Figure 36. Horizontal section-to-section high voltage quick connects



6. Wrap each connection individually with black electrical tape.
7. Fully wrap the connection with tape.
8. Use a bar clamp to pull adjacent shipping section lifting lugs together.
9. For indoor units sizes 66-120 and for outdoor units size 35-120, a wedge block is provided to aid in pulling and aligning the units together. Attach the wedge blocks to both sides of the units being pulled together, matching the correct wedge block with the correct hole pattern. See [Figure 40, p. 34](#).
10. Verify that the subassembly with the overhang profile on the roof is higher than the mating subassembly. If it is not, raise one end of the subassembly and bring the unit together. See [Figure 37](#).
11. Due to unlevel floor and platforms, the roof may be misaligned as shown in [Figure 37](#). A common solution is to raise one end of the shipping section to clear the hemming before pulling the units together.

Figure 37. Roof alignment (indoor unit only)



12. In addition, an adjustment can also be made to the height of the roof of either subassembly. At the center (width-wise) of the unit, measure the height of each adjacent subassembly and verify that the subassembly with the overlap sheet metal is higher than the mating subassembly roof. If it is not, adjust the height of either subassembly by loosening the screws in the vertical channels or component structure and adjust the height of the roof. See [Figure 38](#) and [Figure 39](#).

Figure 38. Adjust height of roof by adjusting vertical channels

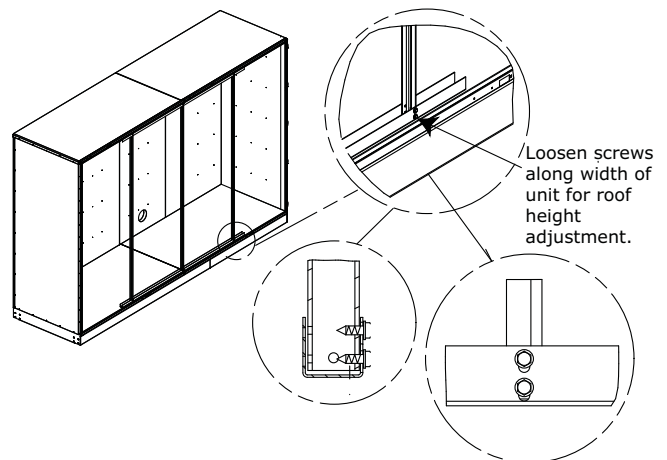
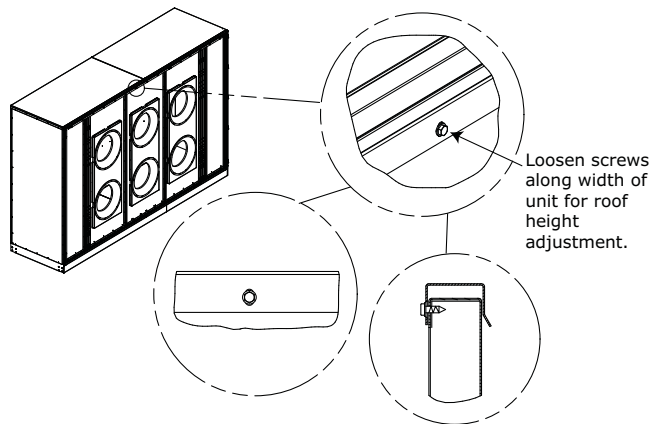


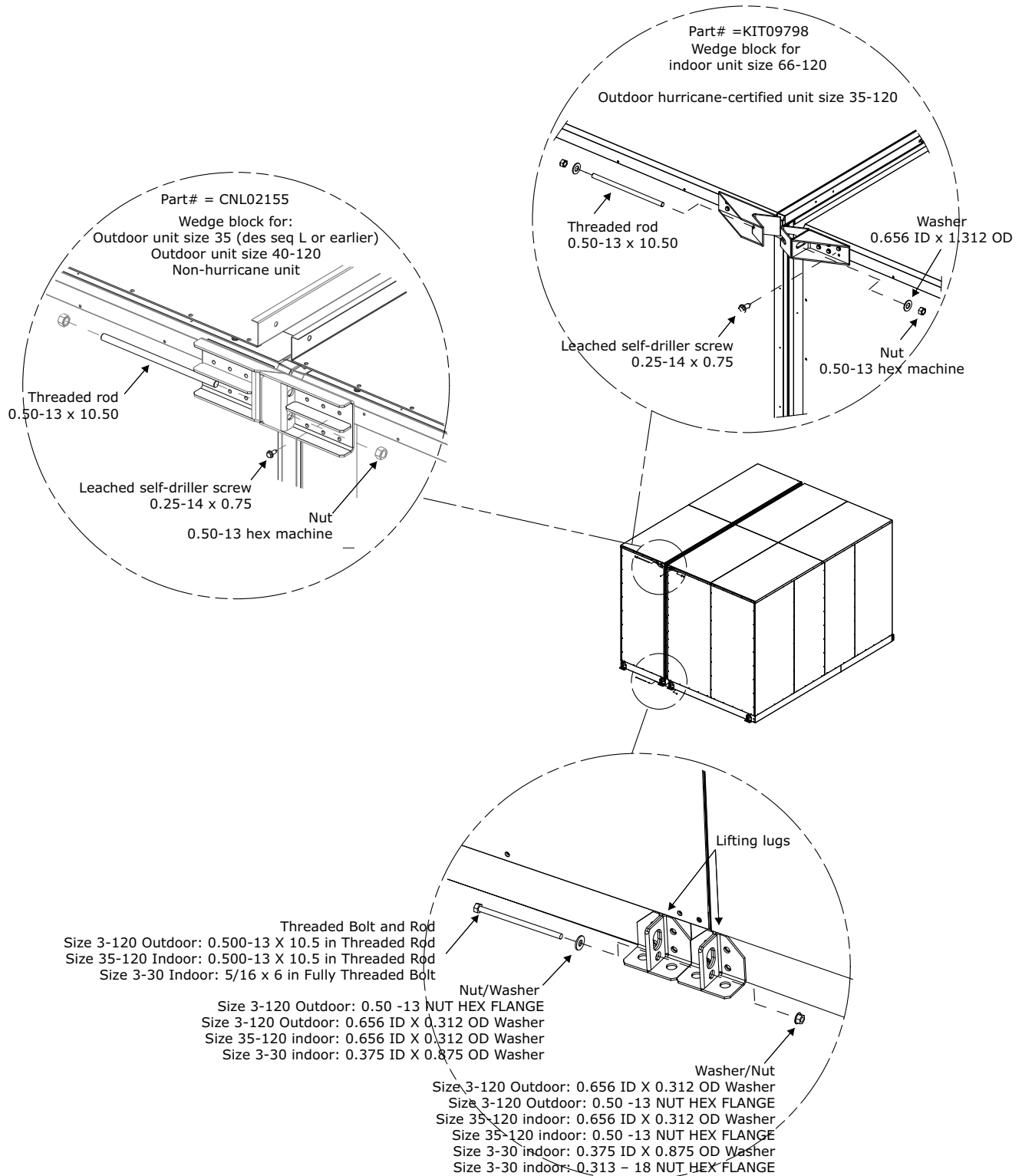
Figure 39. Adjust height of roof by loosening screws



13. For unit sizes 3-30, bolt the unit base frames together using 5/16-inch bolts (see [Figure 40](#)).
14. For unit sizes 35-120, bolt the unit base frames together using 1/2-threaded rod (see [Figure 40](#)).
15. For sizes 66-120 only, bolt through the wedge blocks using a 1/2-threaded rod (see [Figure 40](#)). Alternate between tightening on the lifting lug bolts and wedge block bolts until the shipping section comes together.
16. Use straps and come-alongs to compress the gasketing and pull the sections together along the height of the unit.

Note: Wedge blocks are used to assemble shipping splits together. Only one set of wedge blocks is shipped with each unit. Once the shipping split has been assembled, remove the wedge blocks and use for the next shipping split.

Figure 40. Shipping split assembly



17. Install the section-to-section screws inserting the appropriate screws through the overlapping flanges using a powered impact gun and taking care not to strip the screws. Outdoor air handlers will ship with a seam cap that is to be installed over the section-to-section seams. Factory-supplied butyl tape must be continuously applied over the top and both side

seams prior to seam caps being applied. See [Figure 41](#) Detail A and Detail B for hurricane units for sizes 3-120. Detail C applies to non-hurricane units size 3-120 (see [Figure 43](#)).

Figure 41. Section-to-section seam cap installation for hurricane units

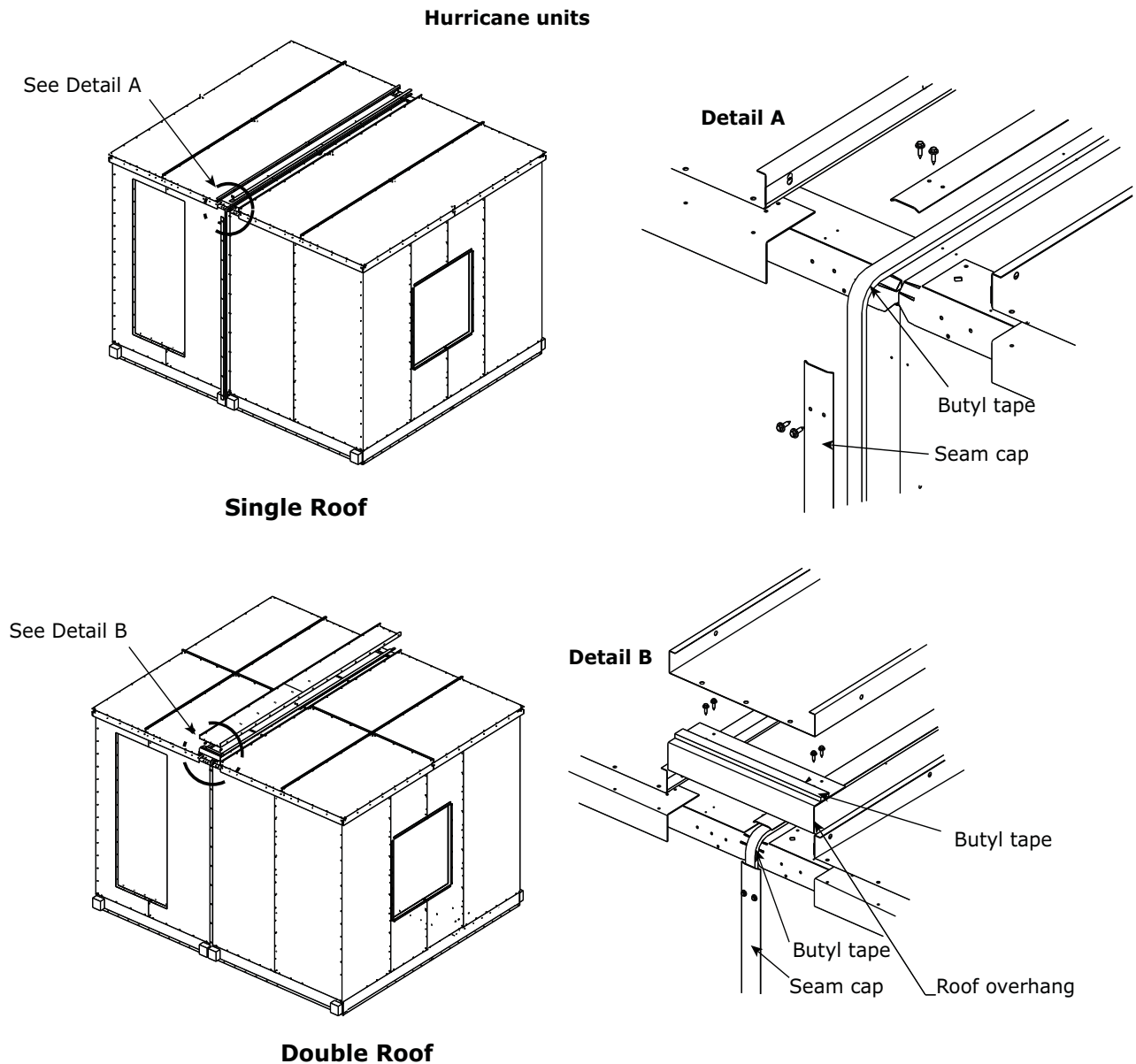
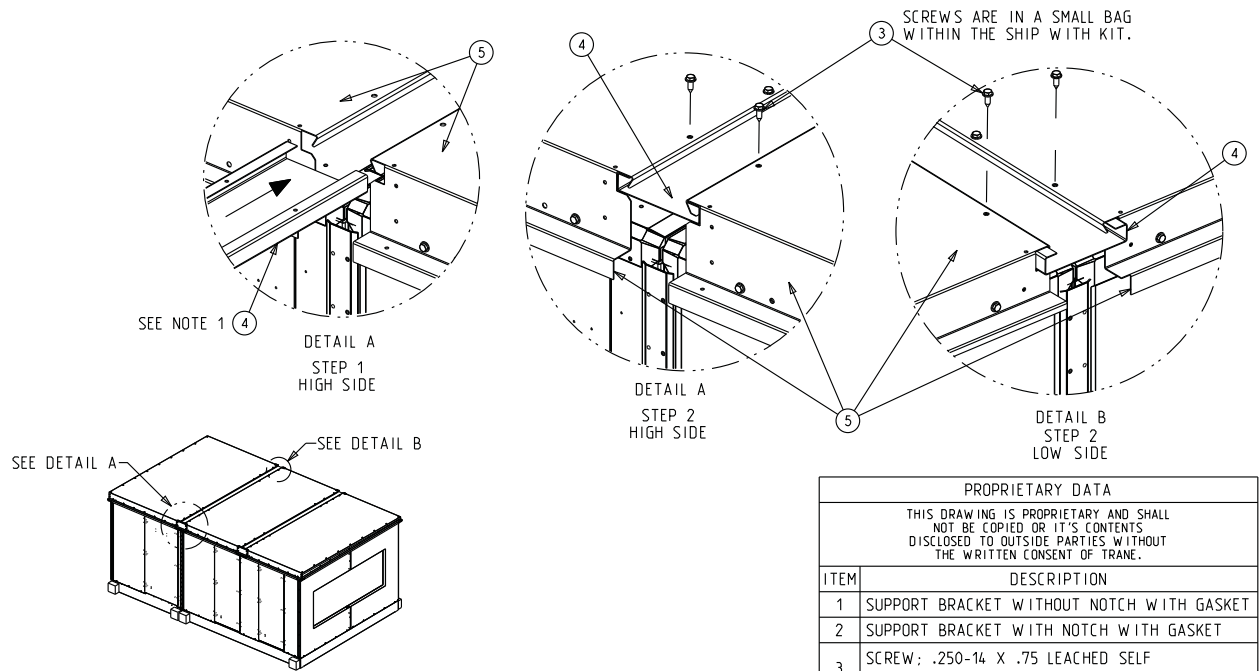
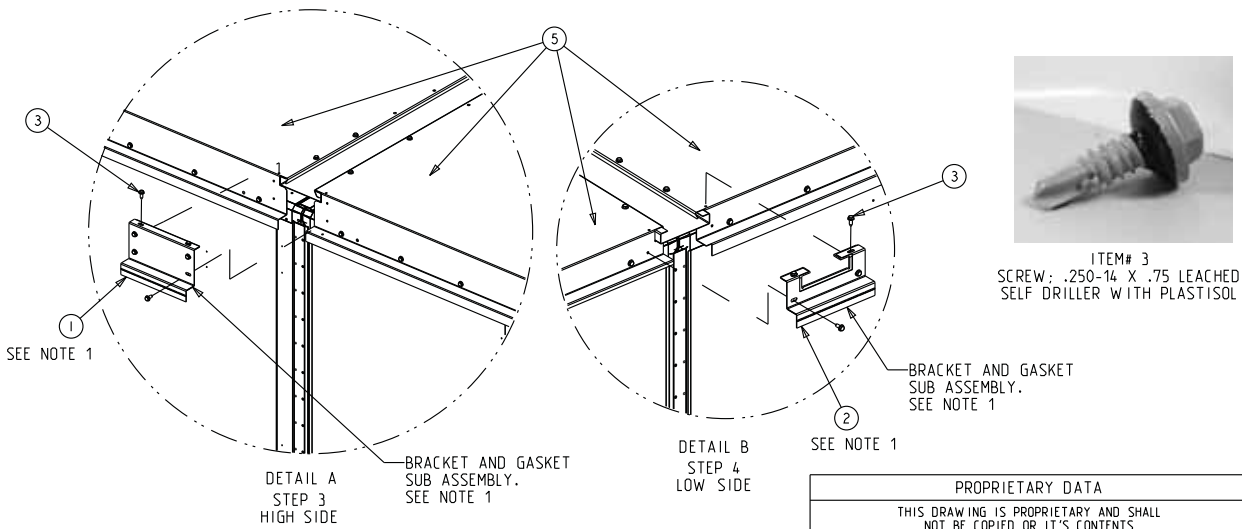


Figure 42. Section-to-section seam cap installation for non-hurricane units (sizes 3 to 35)



INSTRUCTIONS:
 1. SLIDE THE C-CHANNEL, ITEM# 4 FROM SIDE OF THE ROOF AT SHIPPING SPLIT.
 2. C CHANNEL SHOULD BE FLUSHED WITH THE OUTDOOR ROOF EDGE ON THE HIGHER PITCH SIDE.

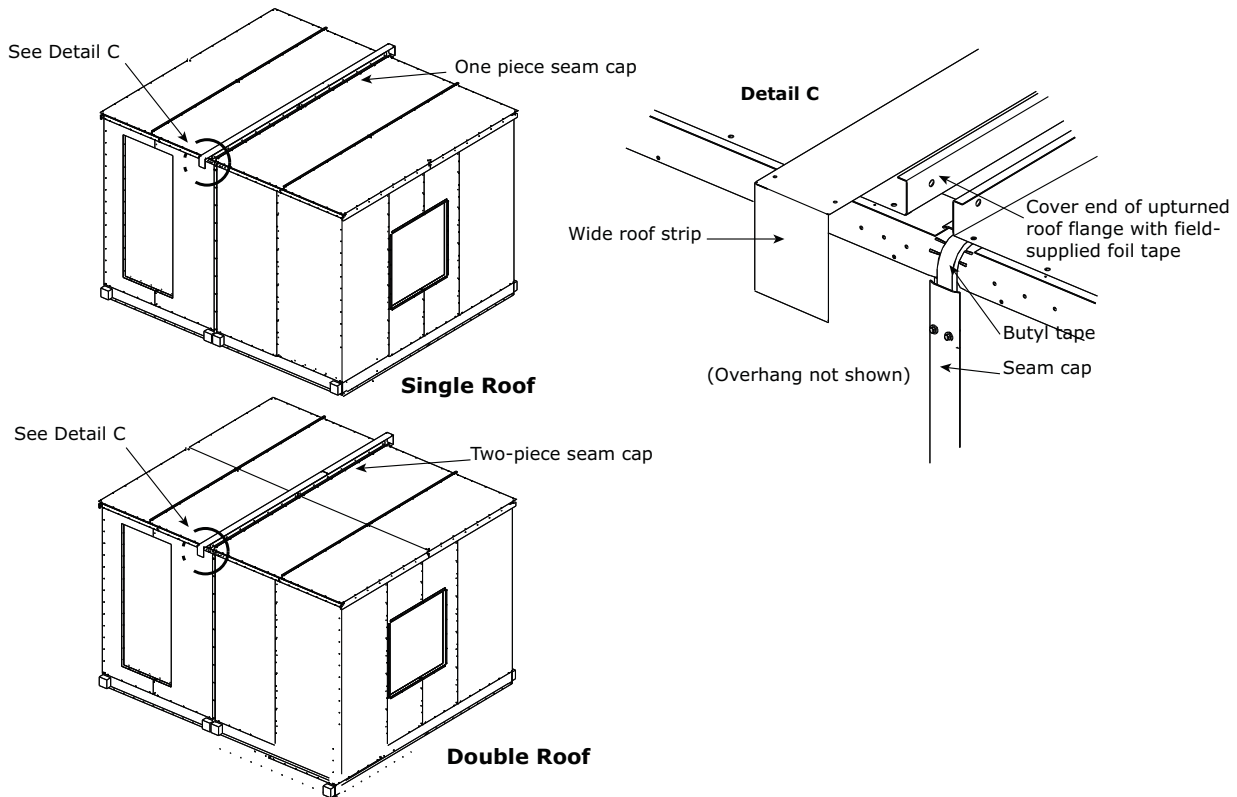
PROPRIETARY DATA	
THIS DRAWING IS PROPRIETARY AND SHALL NOT BE COPIED OR IT'S CONTENTS DISCLOSED TO OUTSIDE PARTIES WITHOUT THE WRITTEN CONSENT OF TRANE.	
ITEM	DESCRIPTION
1	SUPPORT BRACKET WITHOUT NOTCH WITH GASKET
2	SUPPORT BRACKET WITH NOTCH WITH GASKET
3	SCREW: .250-14 X .75 LEACHED SELF DRILLER WITH PLASTISOL
4	C CHANNEL
5	OUTDOOR ROOF



INSTRUCTIONS:
 1. MAKE SURE THERE IS A GASKET ON THE BRACKETS BEFORE INSTALLING, IF NOT PLEASE CONTACT TRANE SERVICE CENTER.
 2. ASSEMBLE THE SUPPORT BRACKET, ITEM# 1 ON THE HIGHER PITCH SIDE OF THE ROOF PANEL AT THE SHIPPING SPLIT JOINT USING SCREW (.250-14 X .75 LEACHED SELF DRILLER WITH PLASTISOL) ITEM# 3 (6 QTY).
 3. ASSEMBLE THE SUPPORT BRACKET, ITEM# 2 AND ENSURE C CHANNEL PROTRUDES INSIDE THE NOTCH AND THE GASKET SEALS AROUND THE CHANNEL ON THE LOWER PITCH SIDE OF THE ROOF PANEL AT THE SHIPPING SPLIT JOINT USING SCREW (.250-14 X .75 LEACHED SELF DRILLER WITH PLASTISOL) ITEM# 3 (4 QTY).

PROPRIETARY DATA	
THIS DRAWING IS PROPRIETARY AND SHALL NOT BE COPIED OR IT'S CONTENTS DISCLOSED TO OUTSIDE PARTIES WITHOUT THE WRITTEN CONSENT OF TRANE.	
ITEM	DESCRIPTION
1	SUPPORT BRACKET WITHOUT NOTCH WITH GASKET
2	SUPPORT BRACKET WITH NOTCH WITH GASKET
3	SCREW: .250-14 X .75 LEACHED SELF DRILLER WITH PLASTISOL
4	C CHANNEL
5	OUTDOOR ROOF

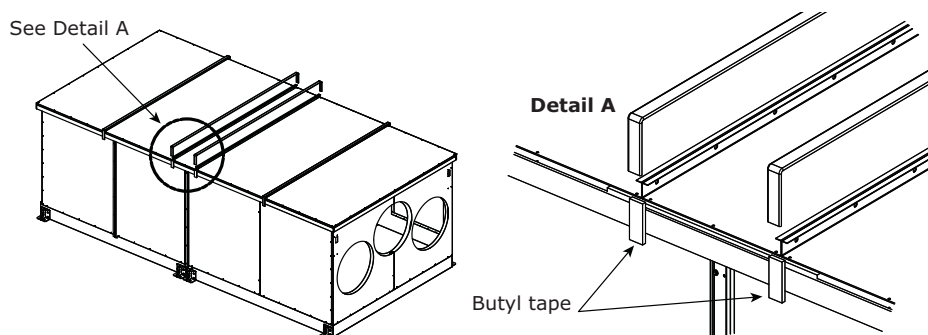
Figure 43. Section-to-section seam cap installation — non-hurricane units sizes 35 (des seq L or earlier) and 40 to 120



18. For sizes 3 through 120 hurricane units, attach roof overhang angle with number 10 screws.
- For sizes 40 through 120 outdoor non-hurricane outdoor units, a wide roof strip is provided. Apply aluminum tape to block off open cavity beneath the overhang angle and roof strip on both sides of unit at the shipping split to prevent unwanted pests from entering.
 - For sizes 3 to 35 outdoor non hurricane units, slide the C Channel between outdoor roofs at the splits.
19. On hurricane units, join outdoor roof panels together at the seams in the direction perpendicular to airflow and secure them in place with 5/16-inch x 3/4-inch bolts

and 5/16 lock nuts. Install the roof joint strip to cover the seam between two outdoor roof panels perpendicular to the direction of airflow. Use 3/8-inch butyl tape to cover the seam between two outdoor roof panels overhang at the side the unit. Bend joint strip over roof panel and use two number 10 sheet metal screws (one in each roof panel) to secure joint strip. Trim the roof joint strip to insure that it does not protrude more than 1/16-inch beyond outdoor roof overhang (see [Figure 44](#)).

Figure 44. Join outdoor hurricane roof panels at the seams

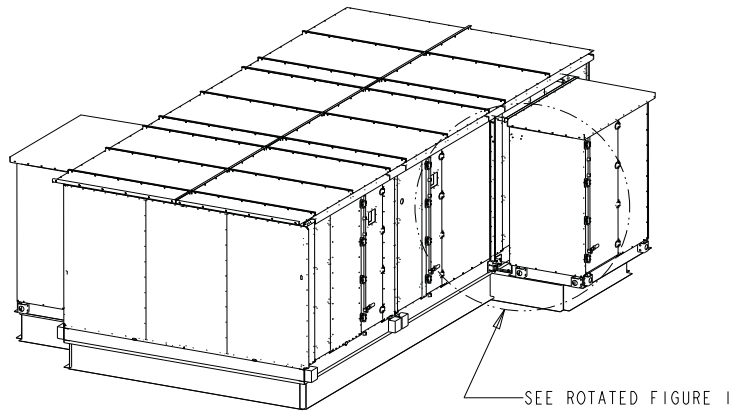


Pipe Cabinet Installation

1. After air handler is completely installed and checked to ensure that the unit is level and square, remove cross base member on pipe cabinet base by removing the four bolts and nuts.

2. Add 1-inch x 7.5-inch Armacell® gasketing to inside of baserail and add 3/8-inch x 3/8-inch white Butyl® tape to face of pipe cabinet. See figures below for appropriate sizes.

Figure 45. Pipe cabinet installation, unit sizes 3 to 35 (des seq L or earlier) and 40 to 120



INSTRUCTIONS:

PREPARING FOR PIPE CABINET INSTALLATION:

1. AFTER AIR HANDLER IS COMPLETELY INSTALLED AND CHECKED FOR ACCURACY OF LEVEL AND SQUARE, REMOVE CROSS BASE MEMBER ON PIPE CABINET BASE BY REMOVING THE 4 BOLTS AND NUTS.
2. ADD 1" X 7.5" ARMACELL GASKETING TO INSIDE OF BASERAIL AND ADD 3/8" X 3/8" WHITE BUTYL TAPE TO FACE OF PIPE CABINET. SEE FIGURE 1 AND FIGURE 2.

PROPRIETARY DATA	
THIS DRAWING IS PROPRIETARY AND SHALL NOT BE COPIED OR ITS CONTENTS DISCLOSED TO OUTSIDE PARTIES WITHOUT THE WRITTEN CONSENT OF TRANE.	
ITEM	DESCRIPTION
1	ARMACELL; 1" x 7.5" x 10' ROLL
2	SCREW; #10-16x0.75"
3	BUTYL; .375" X .375" WHITE
4	ROD; 0.500-13 x 10.5"
5	1/2" NUT
6	1/2" WASHER FLAT
7	PLATE; LUG REPLACEMENT

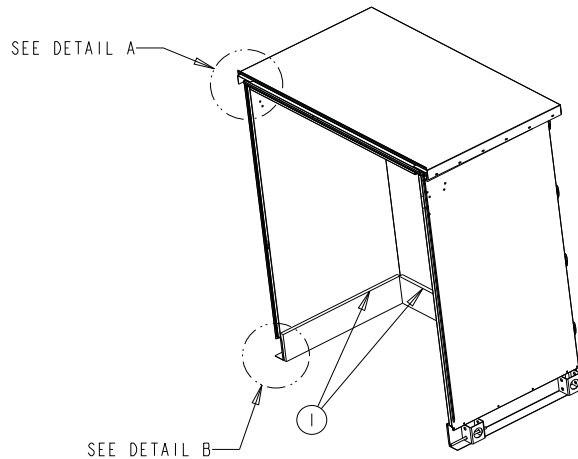
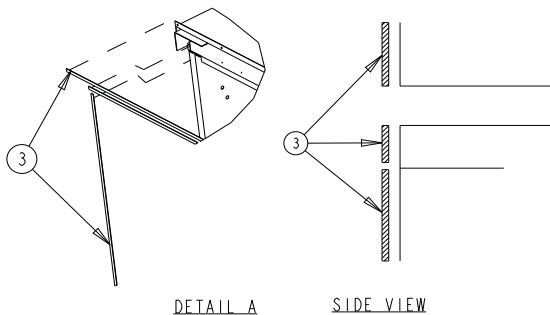
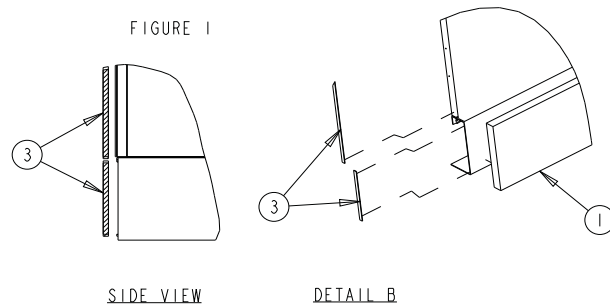


FIGURE 1



DETAIL A

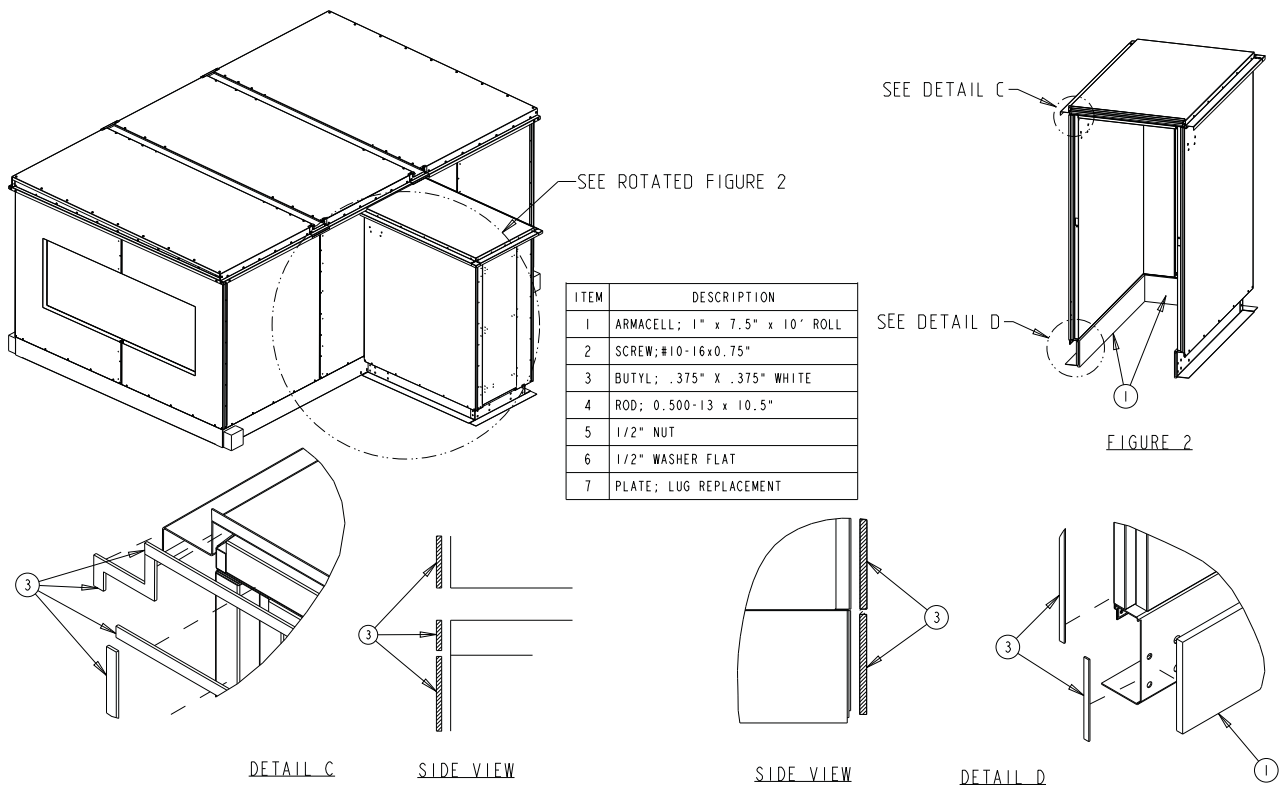
SIDE VIEW



SIDE VIEW

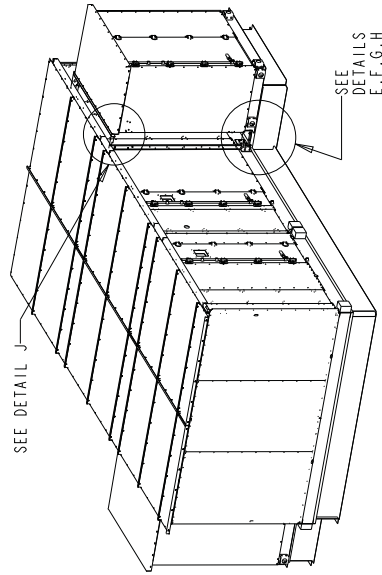
DETAIL B

Figure 46. Pipe cabinet installation, unit sizes 3 to 35 (des seq M or later)



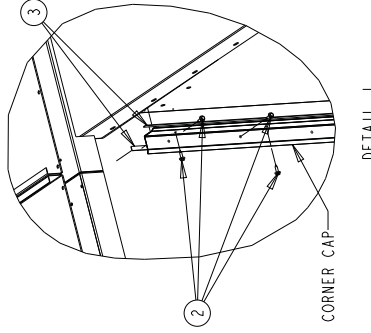
1. Install inside corner cap. See [Figure 47](#) Detail A and Detail B.
2. Install 3/8-inch x 3/8 inch white Butyl tape to unit wall where pipe cabinet roof connects.
3. Lift pipe cabinet roof into place and attach to unit wall with screws. See [Figure 47](#).

Figure 47. Pipe cabinet installation details



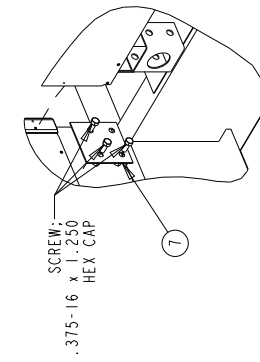
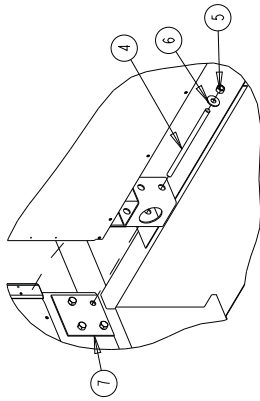
COMPLETING PIPE CABINET INSTALLATION:

1. ADD 3/8" X 3/8" WHITE BUTYL TAPE TO CORNER CAP AND INSTALL CORNER CAP WITH 10-16 X .750 SELF DRILLER SCREWS. SEE DETAIL J.



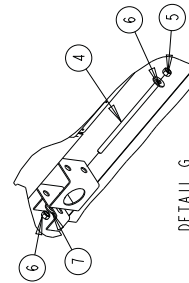
PIPE CABINET TO BE INSTALLED AT SHIPPING SPLIT JOINT:

1. REMOVE THREADED ROD AND UNIT LUG THAT IS OUTSIDE OF PIPE CABINET.
2. USING 3 SCREWS FROM UNIT LUG, INSTALL BLACK LUG REPLACEMENT PLATE IN PLACE OF UNIT LUG. SEE DETAIL E.
3. LIFT PIPE CABINET INTO PLACE ON ROOF CURB.
4. SLIDE PIPE CABINET INTO PLACE.
5. PUT THREADED ROD THROUGH PIPE CABINET LIFTING LUG INTO WELD NUT INSIDE BASERAIL TO PULL THE PIPE CABINET TIGHT AGAINST THE UNIT. SEE DETAIL F.



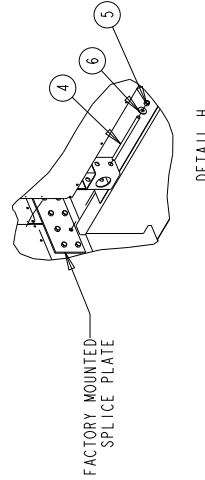
PIPE CABINET TO BE ATTACHED TO UNIT BASE BRACKET:

1. LIFT PIPE CABINET INTO PLACE ON ROOF CURB.
2. SLIDE PIPE CABINET INTO PLACE.
3. PUT THREADED ROD THROUGH PIPE CABINET LIFTING LUG INTO WELDED UNIT BASE RAIL BRACKET TO PULL THE PIPE CABINET TIGHT AGAINST THE UNIT. SEE DETAIL G.



PIPE CABINET TO BE INSTALLED AT FACTORY JOINT:

1. LIFT PIPE CABINET INTO PLACE ON ROOF CURB.
2. SLIDE PIPE CABINET INTO PLACE.
3. PUT THREADED ROD THROUGH PIPE CABINET LIFTING LUG INTO WELD NUT INSIDE BASE RAIL TO PULL THE PIPE CABINET TIGHT AGAINST THE UNIT. SEE DETAIL H.



Pipe Cabinet to be Installed at Shipping Split Joint

1. Remove threaded rod and unit lug that is outside of pipe cabinet.
2. Using three screws from unit lug, install black lug replacement plate in place of unit lug. See [Figure 47](#) Detail C.
3. Lift pipe cabinet into place on roof curb.
4. Slide pipe cabinet into place.
5. Put threaded rod through pipe cabinet lifting lug into weld nut inside baserail to pull the pipe cabinet tight against the unit. See [Figure 47](#) Detail D.

Pipe Cabinet to be Attached to Unit Base Bracket

1. Lift pipe cabinet into place on roof curb.
2. Slide pipe cabinet into place.
3. Put threaded rod through pipe cabinet lifting lug into welded unit base rail bracket to pull the pipe cabinet tight against the unit. See [Figure 47](#) Detail E.

Pipe Cabinet to be installed at a Factory Joint

1. Lift pipe cabinet into place on roof curb.
2. Slide pipe cabinet into place.

3. Put threaded rod through pipe cabinet lifting lug into weld nut inside base rail to pull the pipe cabinet tight against the unit. See [Figure 47](#) Detail F.

Completing Pipe Cabinet Installation

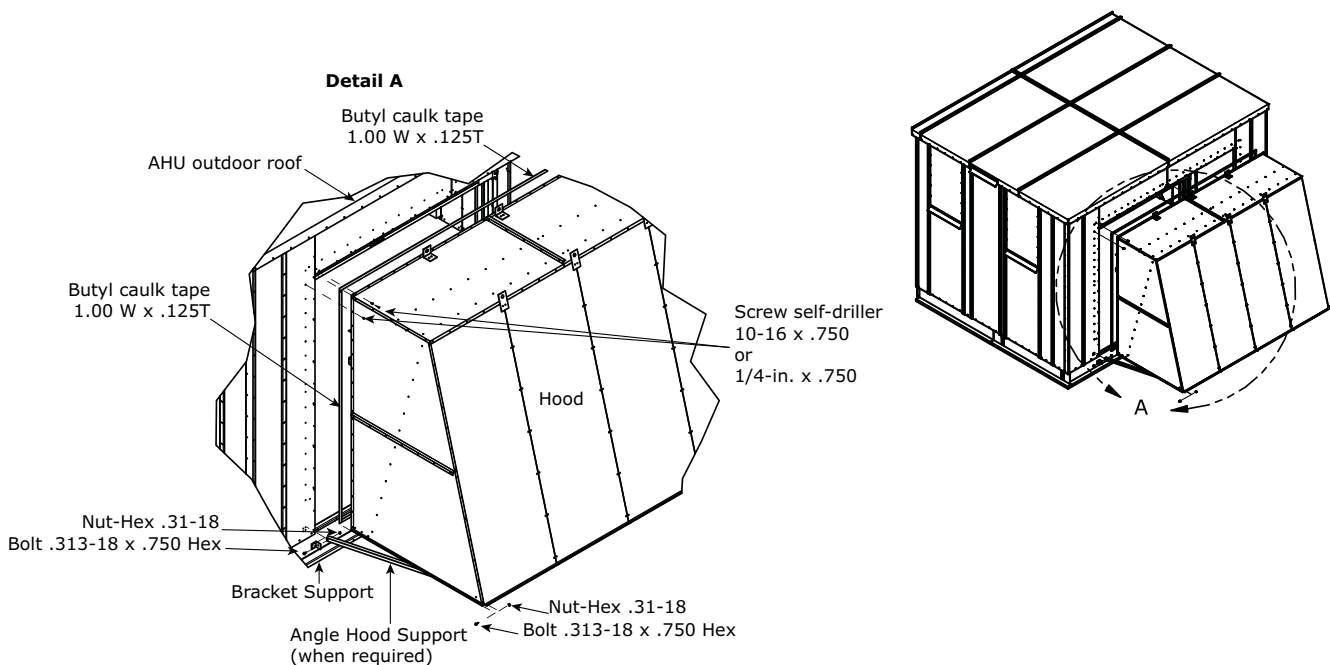
1. Install inside corner cap. See [Figure 47](#).
2. Install 3/8-in. white Butyl tape to unit wall where pipe cabinet roof connects.
3. Lift pipe cabinet roof into place and attach to unit wall with screws. See [Figure 47](#).

Hood Installation

1. Per the unit drawing determine mounting location of the unit weather hoods.
2. Using the factory provided screws mount the weather hoods to the unit.
3. On larger units, weather hoods may be large enough to require angled down supports. In those cases, the angles are shipped attached to the hood but will need to be connected to the air handler by the installing contractor. See [Figure 48](#).

Note: It is required that the hoods be sealed to the unit using factory-provided butyl/caulk tape.

Figure 48. Hood installation



Stacked Outdoor Unit Assembly Assembly Hardware

Table 10. Parts list for outdoor stacked units

Item	Description
1	Gasket: 1.00T x 4.00W
2	Bracket: Stacked unit
3	Screw: 0.313-18 x 0.875 sheet metal
4	Screw: 10-16 x 0.750 self driller
5	Tape: Butyl 0.38T
6	Tape: Ribbed Butyl
7	Plate: Vertical seam cap
8	Tape: 0.12T x 1.00W, gray Butyl
9	Guard: perpendicular to airflow flashing

Item	Description
10	Guard: Energy recovery end cover
11	Guard: Energy recovery end cover
12	Guard: Direction of airflow flashing
13	Guard: Flashing seam cover
14	Adhesive/sealant: Flex polyurethane
15	Bracket: Hood support
16	Angle: Hood support
17	Screw: 0.250-14 x 0.750 self driller

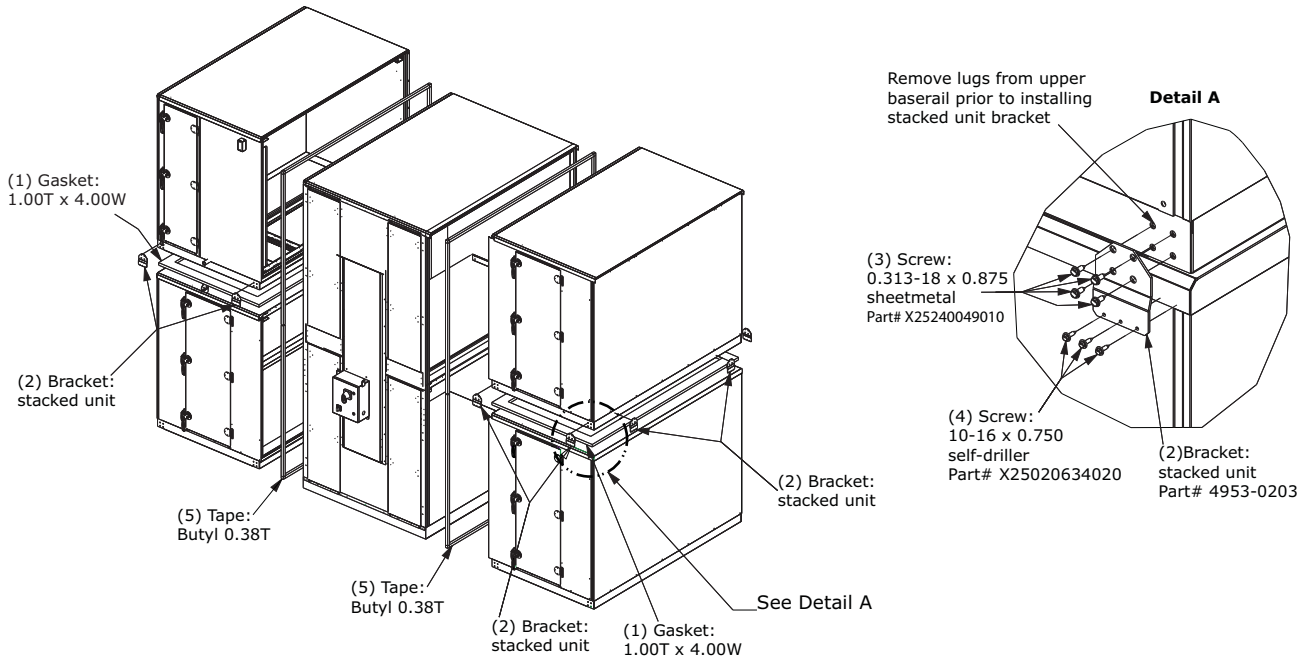
Unit Assembly

1. See Figure 49. Apply gasket (Item 1) on top of lower unit. Compress gasketing to ensure a good air seal between upper and lower sections.
2. Place upper unit on lower unit.
3. Remove lifting lugs from top unit and attach stacking brackets (Item 2) to top and bottom units using screws (Item 3 and Item 4). See Detail A in Figure 49. Stacking

brackets (Item 2) are to be used on the right and left sides at each shipping split section end and also on front and back of the unit.

4. Apply Butyl tape (Item 5) to one side of the shipping split section.
5. Slide shipping split sections together, pulling tight using lifting lugs and threaded rod on bottom and straps or pipe clamps on top.

Figure 49. Stacked unit assembly

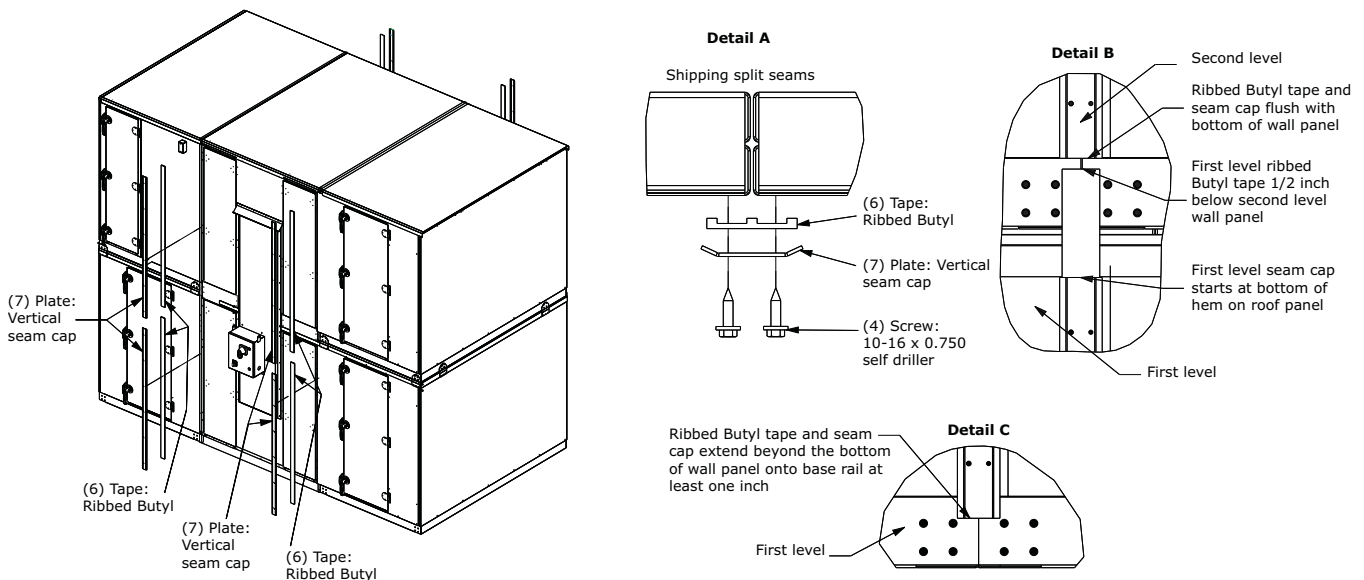


Vertical Seam Cap Installation

1. See [Figure 50](#). Apply ribbed Butyl tape (Item 6) over all vertical shipping split seams (see [Detail A](#)). First level ribbed Butyl tape (Item 6) starts 1/2 inch below second level wall panel (see [Detail B](#)), and extends down beyond the bottom of the first level wall panel onto the base rail at least one inch (see [Detail C](#)). Second level ribbed Butyl tape (Item 6) starts at bottom of wall panel on second level (see [Detail B](#)) and runs up to the top of the second level wall panel.

2. Secure vertical seam cap (Item 7) over ribbed Butyl tape (Item 6) with screws (Item 4) (see [Detail A](#)). First level vertical seam cap (Item 7) starts at bottom of hem on roof panels (see [Detail B](#)) and extends down onto the base rail at least one inch (see [Detail D](#) in [Figure 55](#)). Vertical seam cap (Item 7) on second level starts at bottom of wall panel and extends up (see [Detail B](#)). Second level vertical seam cap (Item 7) may extend onto the roof panel.

Figure 50. Vertical seam cap installation



Flashing Installation

For additional information, see [“Flashing Installation Notes,” p. 48](#).

For hood installations, see [“Install Flashing and Hood,” p. 49](#).

1. See [Figure 51](#). Apply Butyl tape (Item 8) to perpendicular-to-airflow flashing (Item 9) and secure to base rail with screws (Item 4) on front and back of unit (see [Detail A](#) in [Figure 55](#)).
2. For energy wheel/CDQ wheel, preassemble end covers (Item 10 and Item 11) to direction-of-airflow flashing (Item 12) with screws (Item 4). Apply caulk (Item 14) to create water tight seal (see [Detail B](#) in [Figure 53](#)).
3. Apply Butyl tape (Item 8) to direction-of-airflow flashing (Item 12) and secure to base rails with screws (Item 4). Start at corners to ensure tight corner seams. Apply caulk (Item 14) to create water-tight seal (see [Detail A](#) and [Detail C](#) in [Figure 54](#)).
4. Install seam covers (Item 13) to all flashing seams (see [Detail D](#) in [Figure 55](#)).

If second level of unit is shorter than first level, see [“Flashing Installation for Stacked Unit With Second Level Shorter Than First,” p. 46](#).

Figure 51. Flashing installation

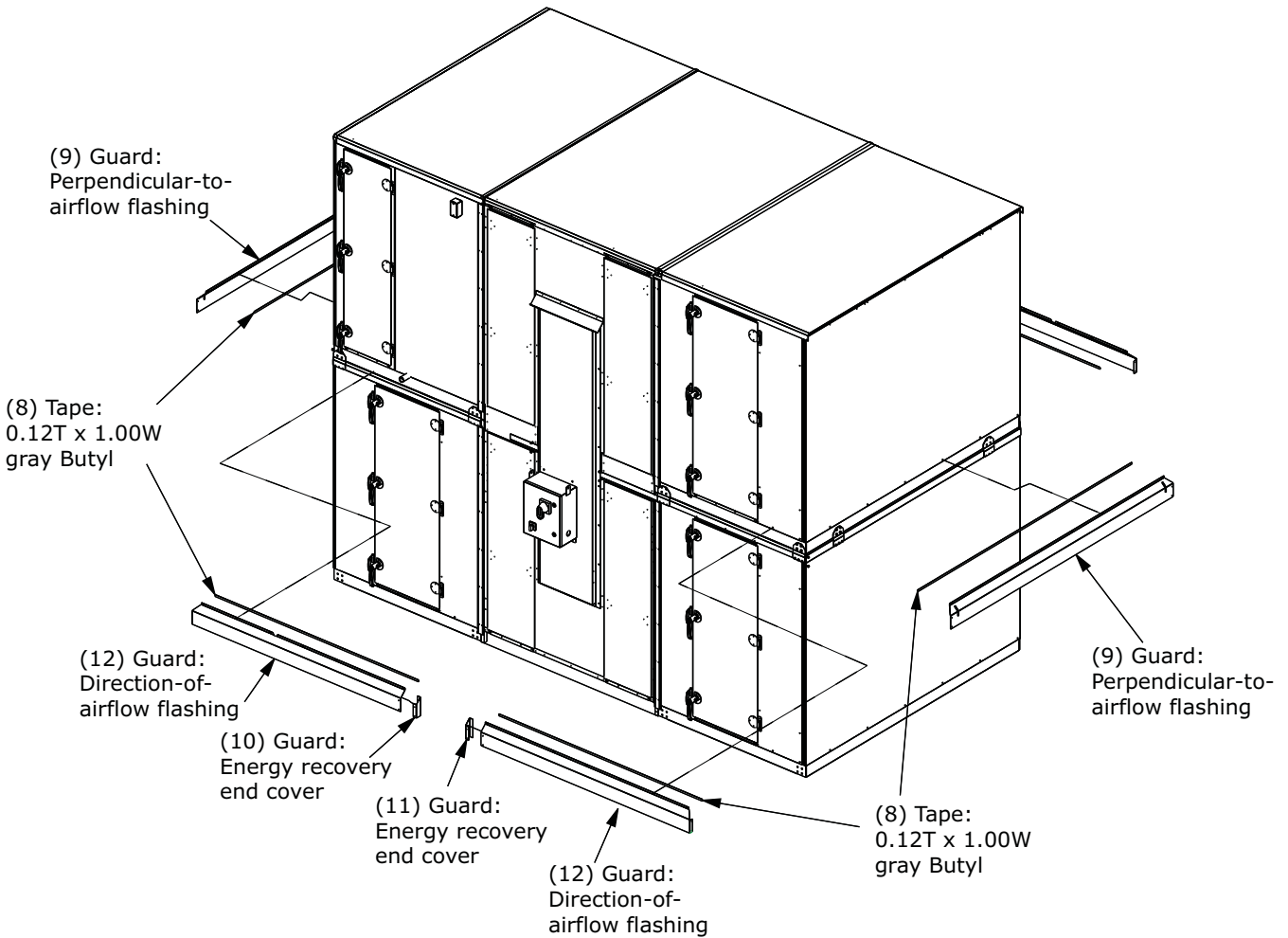


Figure 52. Flashing installation location

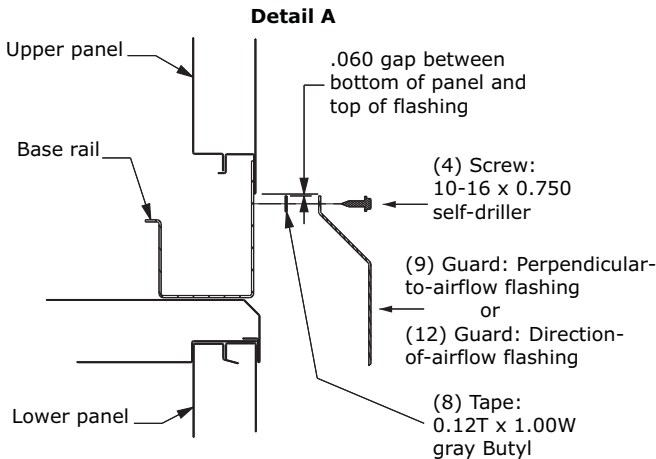


Figure 53. Flashing end cover installation applied to energy wheels and CDQ sections

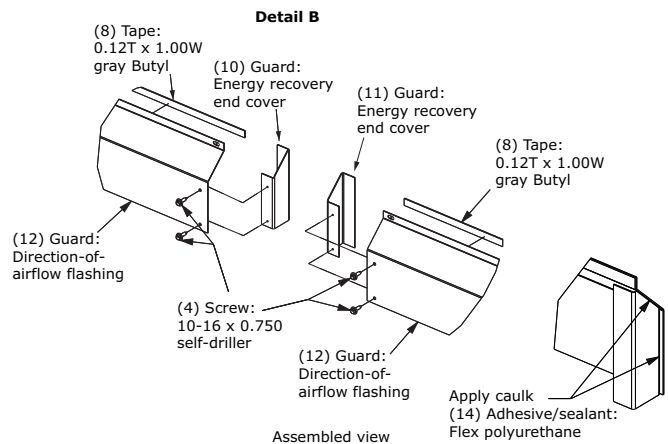


Figure 54. Flashing for corner seams

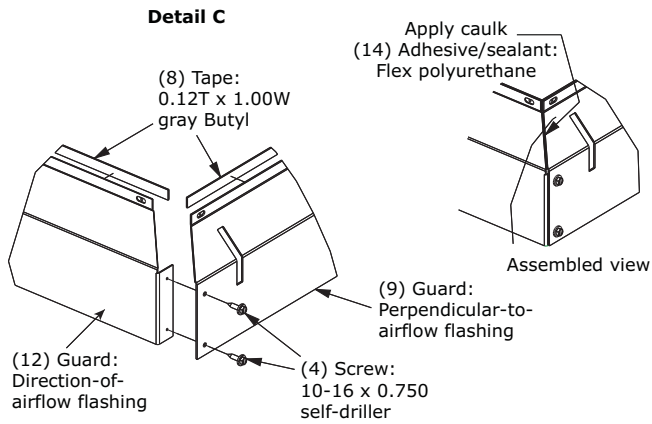
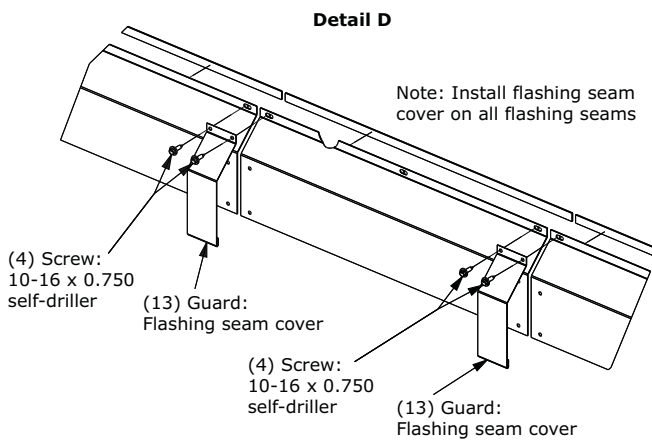


Figure 55. Flashing seam cover installation



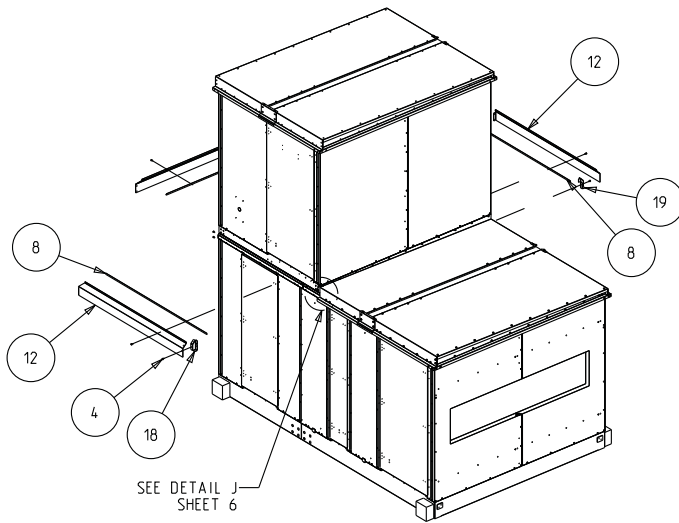
Flashing Installation for Stacked Unit With Second Level Shorter Than First

Sizes 3 to 35 (des seq M or later)

Figure 56. Sizes 3 to 35 (des seq M or later), non-hurricane units (part 1 of 2)

STEPS FOR FLASHING INSTALLATION:

1. FOR FLASHING INSTALLATION NOTES, SEE SHEET 8.
2. APPLY CAULK (ITEM 14) FOR OUTDOOR ROOF TO BASE RAIL TO CREATE WATER TIGHT SEAL (SEE DETAIL J ON SHEET 6).
3. APPLY BUTYL TAPE (ITEM 8) TO DIRECTION OF AIR FLOW FLASHING (ITEM 12) AND SECURE TO BASE RAILS WITH SCREWS (ITEM 4), STARTING AT CORNERS TO ENSURE TIGHT CORNER SEAMS. APPLY CAULK (ITEM 14) TO CREATE WATER TIGHT SEAL (SEE DETAIL F AND G ON SHEET 4).
4. INSTALL SEAM COVERS (ITEM 13) TO ALL FLASHING SEAMS (SEE DETAIL H ON SHEET 4).
5. ASSEMBLE SKIRT BRACKET (ITEM 18) USING SCREW (ITEM 4) WITH FLASH GUARD (ITEM 12) AT HIGHER PITCH SIDE (SEE DETAIL K SHEET 7).
6. ASSEMBLE SKIRT BRACKET (ITEM 19) USING SCREW (ITEM 4) WITH OUTDOOR ROOF PANEL AT LOWER PITCH SIDE (SEE DETAIL L SHEET 7).



PROPRIETARY DATA	
THIS DRAWING IS PROPRIETARY AND SHALL NOT BE COPIED OR ITS CONTENTS DISCLOSED TO OUTSIDE PARTIES WITHOUT THE WRITTEN CONSENT OF TRANE	
ITEM	DESCRIPTION
4	SCREW; 10-16 X 0.750 SELF DRILLER
8	TAPE; 0.12T X 1.00W, GRAY BUTYL
12	GUARD; DIRECTION OF AIR FLOW FLASHING
13	GUARD; FLASHING SEAM COVER
14	ADHESIVE/SEALANT; FLEX POLYURETHANE
18	SKIRT SUPPORT BRACKET
19	SKIRT SUPPORT BRACKET

DETAIL J
STACKED OUTDOOR ROOF PANEL INSTALL

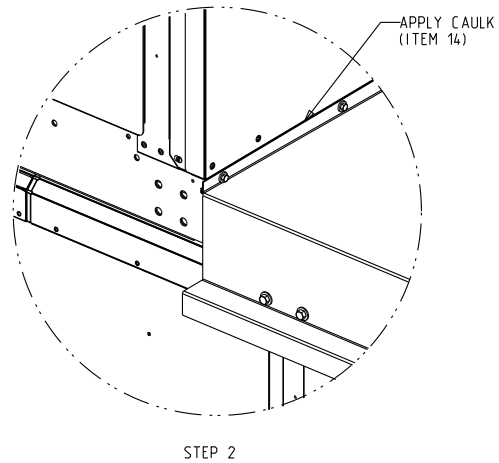
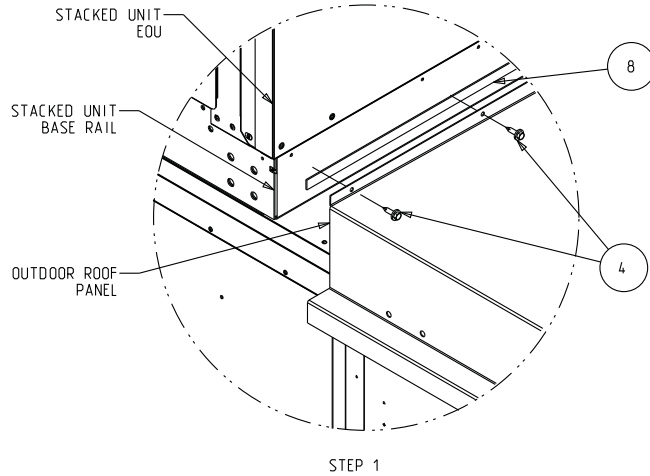
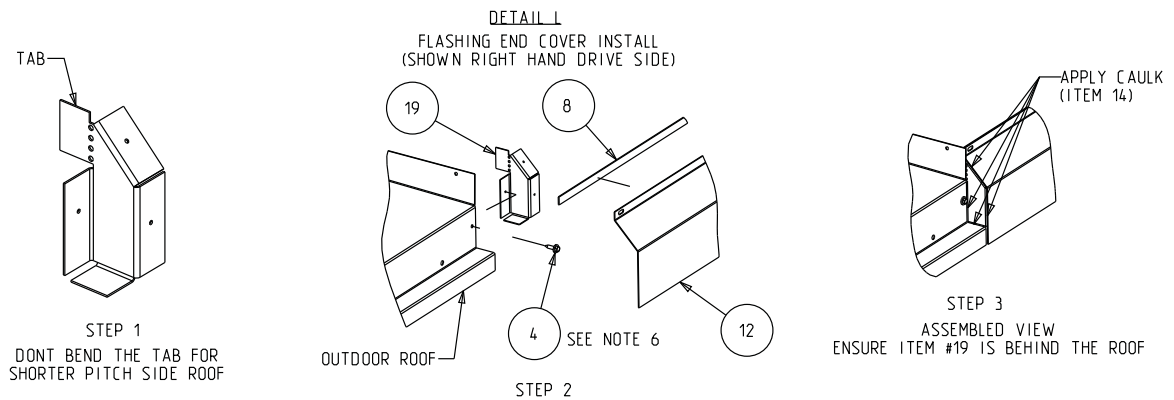
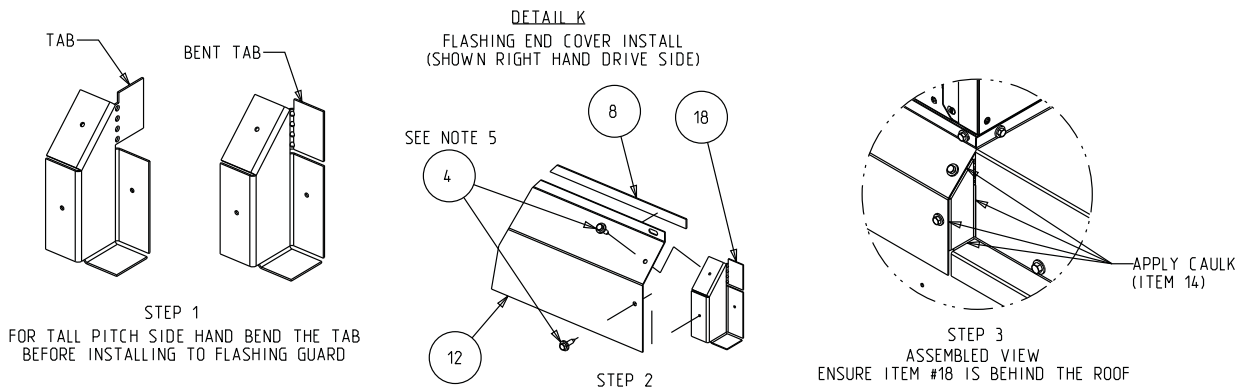


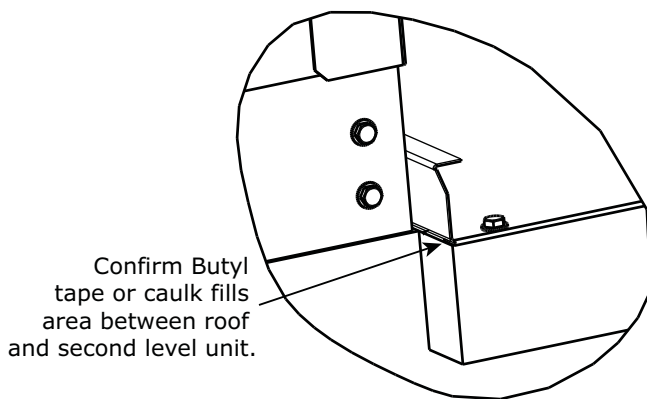
Figure 57. Sizes 3 to 35 (des seq M or later), non-hurricane units (part 2 of 2)



Sizes 3 to 35 (Design Sequence L or earlier) and 40 to 50

1. Ensure that first level roof section is properly sealed with Butyl tape (item 8) and/or caulk (Item 14) at the ends. See [Figure 58](#).

Figure 58. Seal first level with caulk or Butyl tape



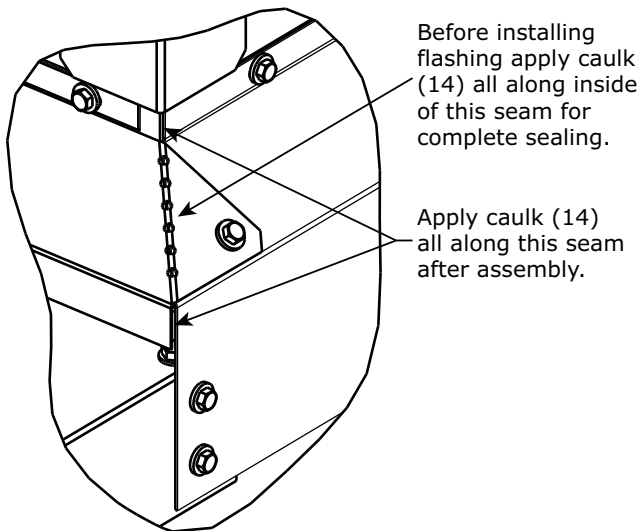
2. Bend end tabs by hand and apply Butyl tape (Item 8) to flashing. See [Figure 59](#).

Figure 59. Bend end tabs, apply Butyl tape to flashing



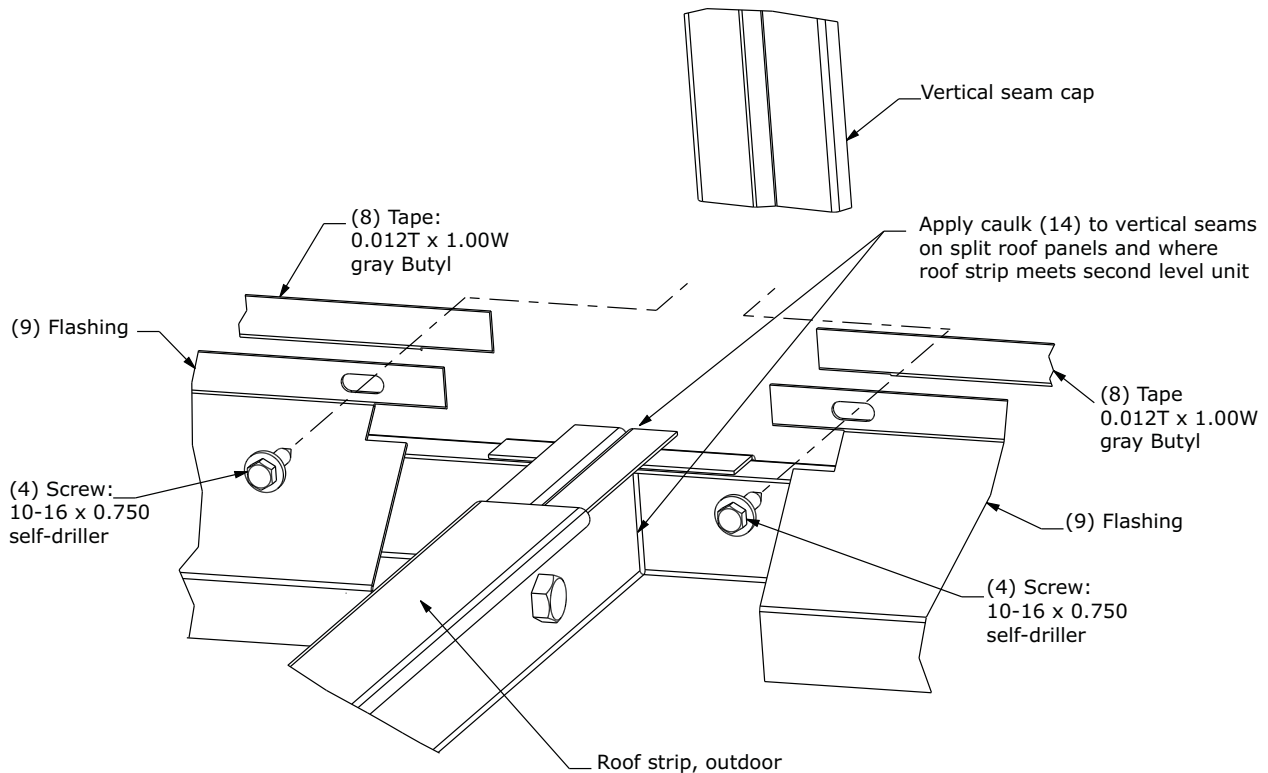
3. Secure to base rail with screws (Item 4).
4. Apply caulk (Item 14) to ensure a water tight seal. See [Figure 60](#).

Figure 60. Apply caulk to seal



- For unit size 50 with a two piece roof, additional sealing is required in the middle where the first level roof sections meet with second level baserail. Seal vertical flanges of roof with caulk (Item 8) prior to installing flashing. Once flashing is installed, apply caulk (Item 8) to joint, then install direction of airflow roof strip and smooth caulk into crevices to ensure a water tight seal. See [Figure 61](#).

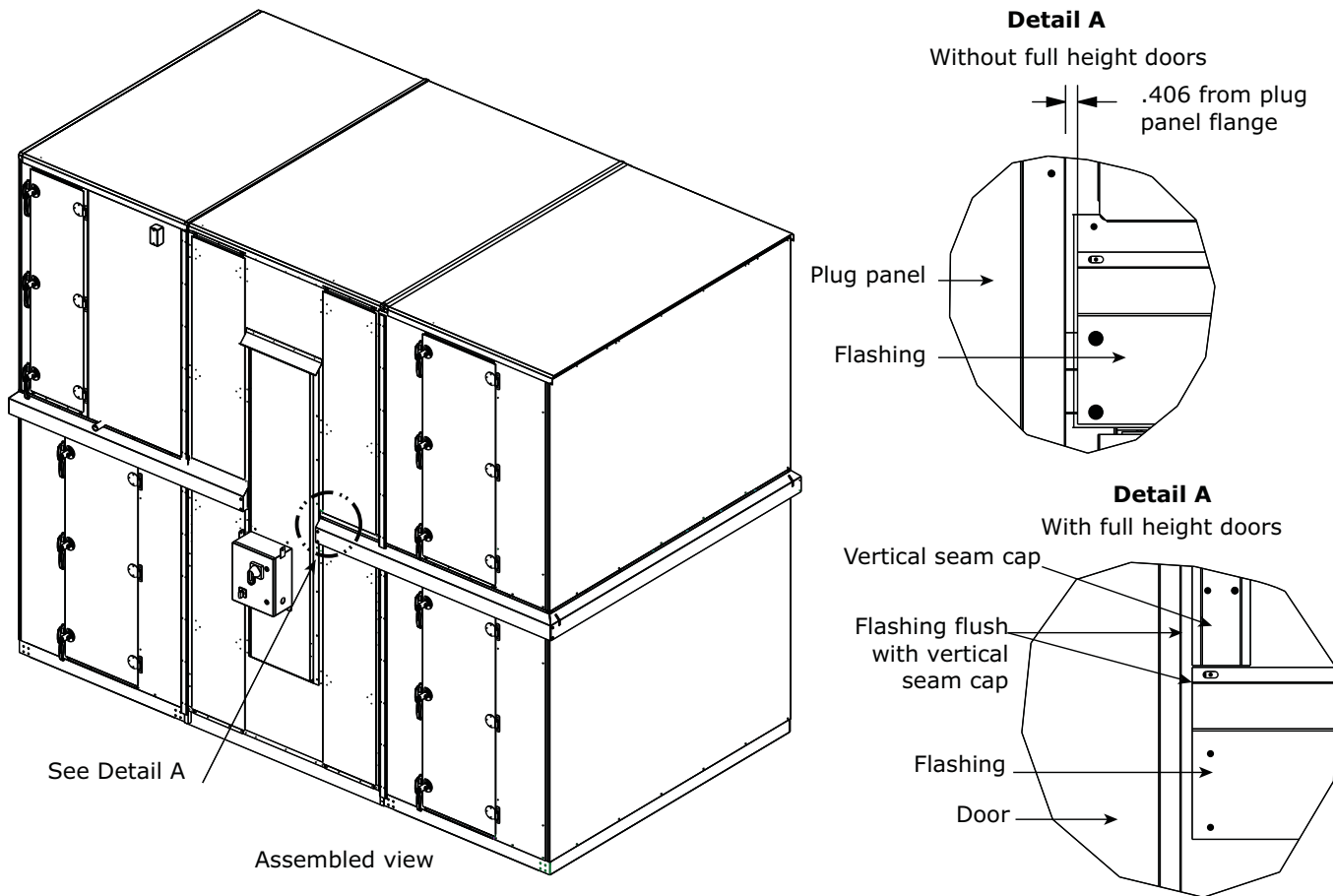
Figure 61. Flashing installation for perpendicular-to-airflow piece if second level of unit is shorter than first level



Flashing Installation Notes

- Side flashing will have locating features:
 - Right side front and back pieces will have two diamonds and a tab. Intermediate right side pieces (if present) will have two diamonds and length of part will match the ship group length and mounting holes will match hole pattern on the unit.
 - Left side front and back pieces will have one diamond and a tab. Intermediate left side pieces (if present) will have one diamond and length of part will match the ship group length and mounting holes will match hole pattern on the unit.

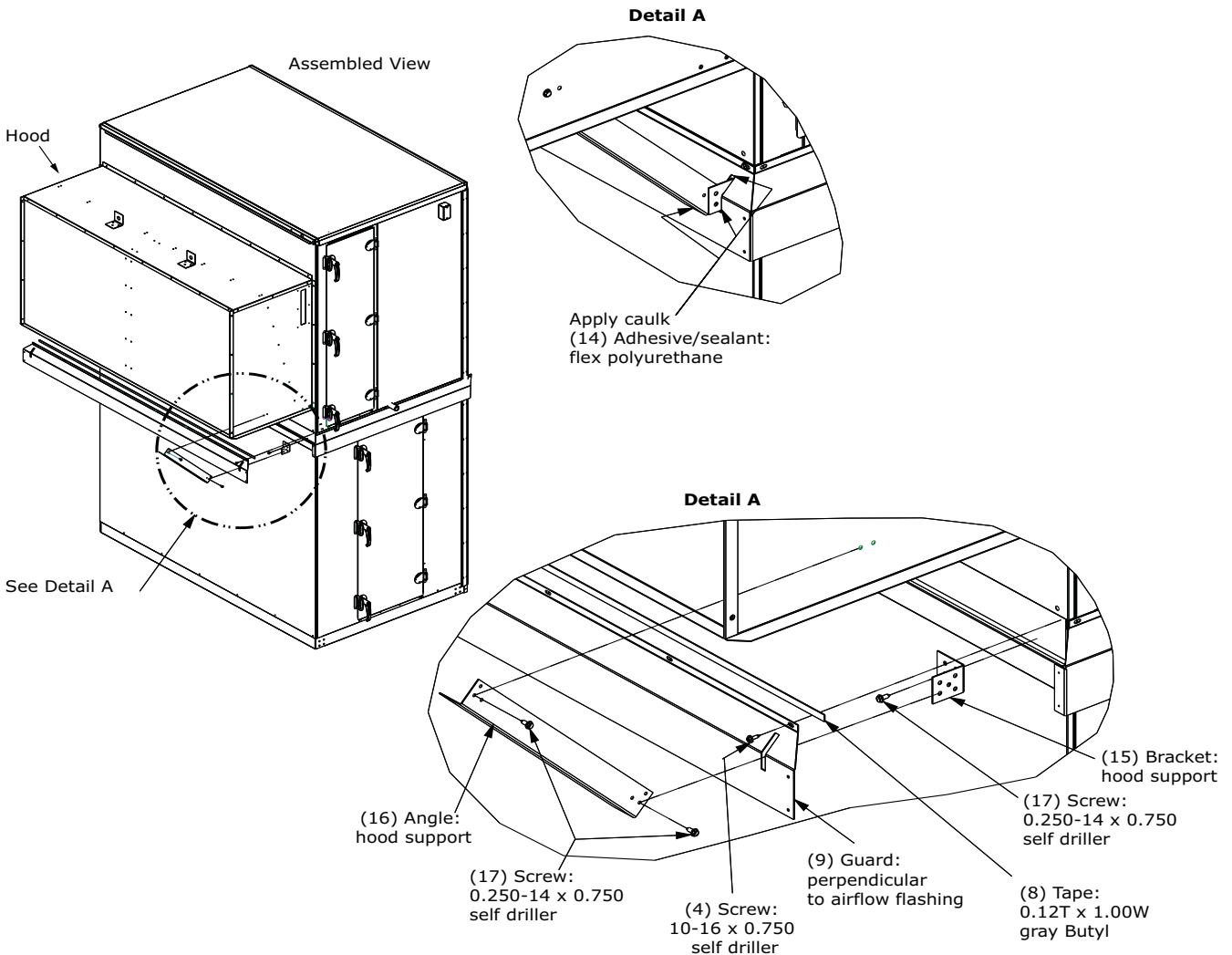
- Flashing runs full length on right/left sides of unit except on access side when an energy recovery section is present. For energy recovery section without full height doors, flashing will extend to removable plug panel. For energy recovery section with full height doors, flashing will be flush with edge of vertical seam caps (see Detail A in [Figure 62](#)).
- Flashing runs full length on front/back of unit. Front/back flashing will not have any locating features and will always have mitre (one piece will have two mitres, two pieces will have one mitre).

Figure 62. Side flashing installation


Install Flashing and Hood

1. See [Figure 63](#). Secure two hood support brackets (Item 15) to base rail with screws (Item 17).
2. Apply Butyl tape (Item 8) to flashing (Item 9) and place over hood support brackets (Item 15) using cut in flashing and secure to base rails with screws (Item 4).
3. See "[Hood Installation](#)," p. 41 for hood installation instructions.
4. Secure hood support angles (Item 16) to hood support brackets (Item 15) and to the hood side panels with screws (Item 17).
5. Apply caulk (Item 14) around hood support bracket (Item 15), hood support angle (Item 16), and cutout in perpendicular-to-airflow flashing (Item 9) to ensure water-tight seal.

Figure 63. Stacked unit assembly



Dual-Path SDU/Winterizer Assembly

⚠ WARNING

Heavy Objects!

Stacking units without factory-approval and without factory-provided support brackets could result in the base unit collapsing under the weight of the top unit which could result in death or serious injury and property damage. Do not stack air handlers unless factory-designed and factory-approved. When stacking units, factory-designed unit support brackets must be used.

A dual-path, split dehumidification unit (SDU)/winterizer air handler consists of two units that are stacked together in a draw-thru arrangement that share one supply fan. The unit on the first level (primary unit) is designed to handle

the return air and is larger than the unit on the second level (secondary unit), which is designed to handle outside air.

Factory-designed unit support brackets are provided with all factory-approved, dual-path SDUs or winterizer air handlers.

- A horizontal SDU/winterizer dual-path air handler incorporates a horizontal supply fan on the first level with a top opening in the primary unit that aligns with a bottom opening in the secondary unit.
- A vertical SDU/winterizer dual-path air handler incorporates a vertical supply fan on the second level with a back opening that aligns with a front opening in the secondary unit.

To assemble air handlers utilizing factory-approved and factory-provided dissimilar unit sizes for horizontal SDU or winterizer applications, join all similar size shipping sections per "[Section-to-Section Assembly](#)," p. 30.

Horizontal SDU/Winterizer Assembly

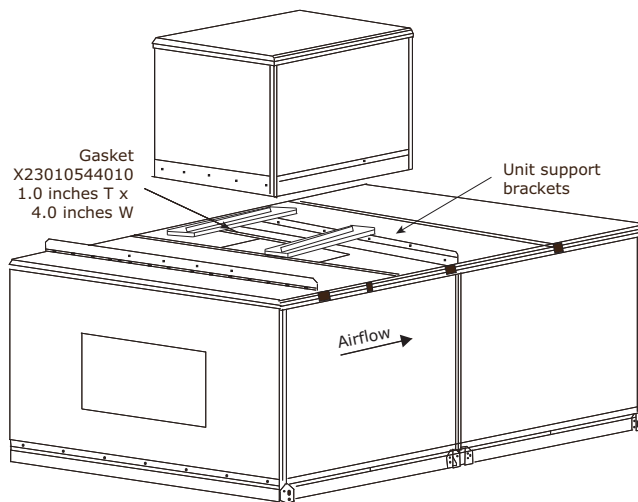
To assemble dissimilar unit sizes for an indoor horizontal SDU/winterizer configuration:

1. Locate the mounting hardware and gasket material.

Note: Black unit support brackets ship pre-installed on the primary (larger) unit section.

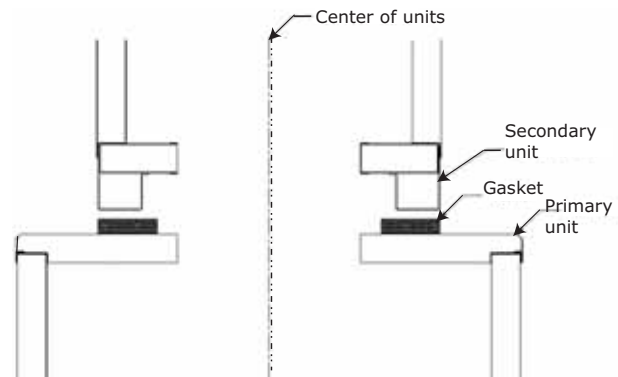
2. Apply gasket in direction of airflow between the black unit support brackets to the roof of the primary unit. See [Figure 64](#). The gasket needs to be placed such that it will be directly under the integral base frame of the secondary (smaller) unit to be stacked on top. The secondary unit will be centered along the width on the primary unit.

Figure 64. Apply gasket in direction of airflow



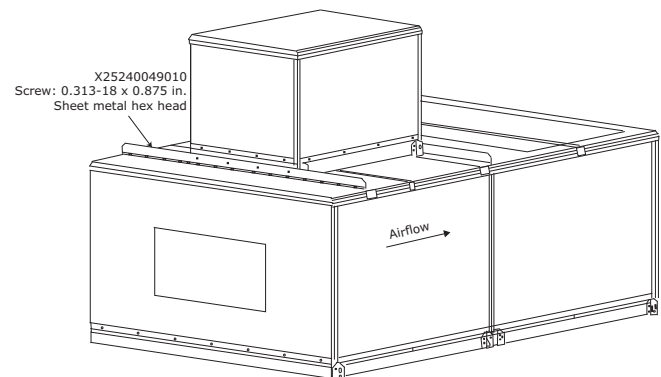
3. If there is an opening in the roof of the primary unit, apply gasket perpendicular to airflow on the roof next to the opening (air entering side only).
4. Lift the secondary unit, following instructions in "[General Lifting Considerations](#)," p. 25 (see [Figure 18](#)), and place on the black unit support brackets (see [Figure 65](#)). The secondary unit must be centered on the primary unit between the black unit support brackets.

Figure 65. Place secondary unit on black unit support brackets.



5. Install screws as shown in [Figure 66](#) inserting the appropriate screws using a powered impact gun and taking care not to strip the screws.
6. Remove the secondary unit lifting lugs one at a time and reinstall screws after sections are set in final position.

Figure 66. Install screws using powered impact gun

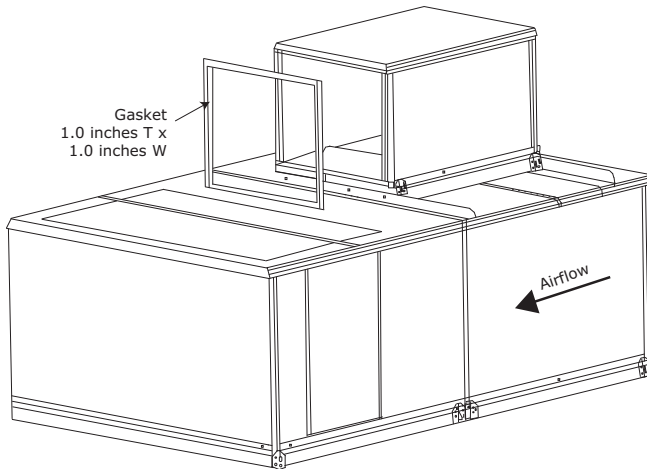


Vertical SDU/Winterizer Assembly

To assemble dissimilar unit sizes for an indoor vertical SDU/winterizer configuration:

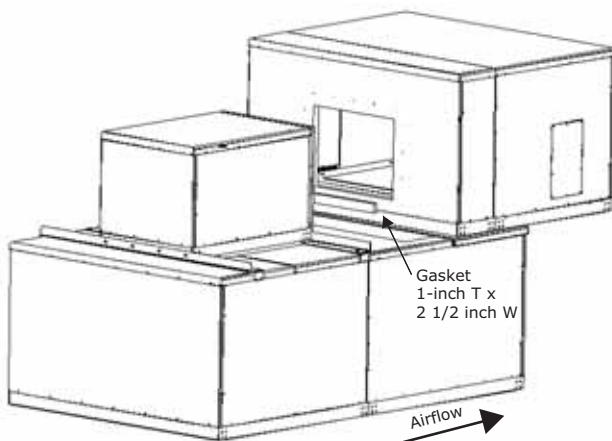
1. Apply gasketing to the mating surface of the secondary unit (see [Figure 67](#)).

Figure 67. Apply gasketing to mating surface of secondary unit



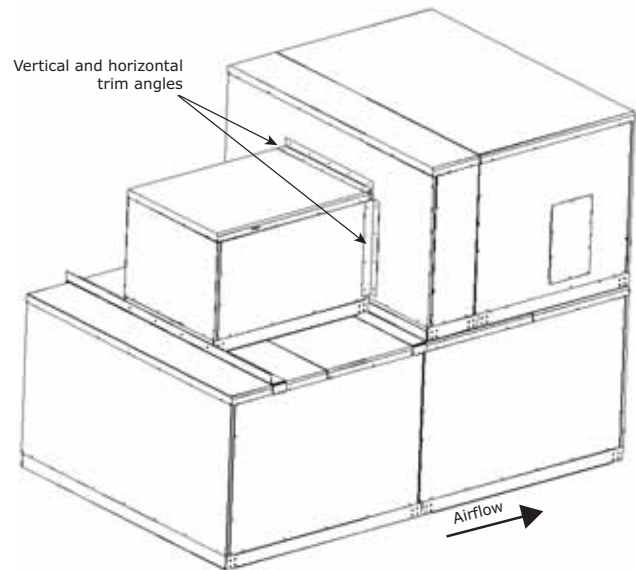
2. Apply gasketing to the mating surface of the primary unit at the bottom of the opening (see [Figure 68](#)).

Figure 68. Apply gasketing to the mating surface of the primary unit.



3. Lift the secondary unit, follow instructions in "[General Lifting Considerations](#)," p. 25 (see [Figure 18](#)), and place on the black unit support brackets (see [Figure 65](#), p. 51). The secondary unit must be centered on the primary unit between the black unit support brackets.
4. Install trim angles as shown in [Figure 69](#) inserting the 10-16 x 3/4-inch self-drilling screws using a powered impact gun and taking care not to strip the screws.

Figure 69. Install trim angles



External Raceway Assembly

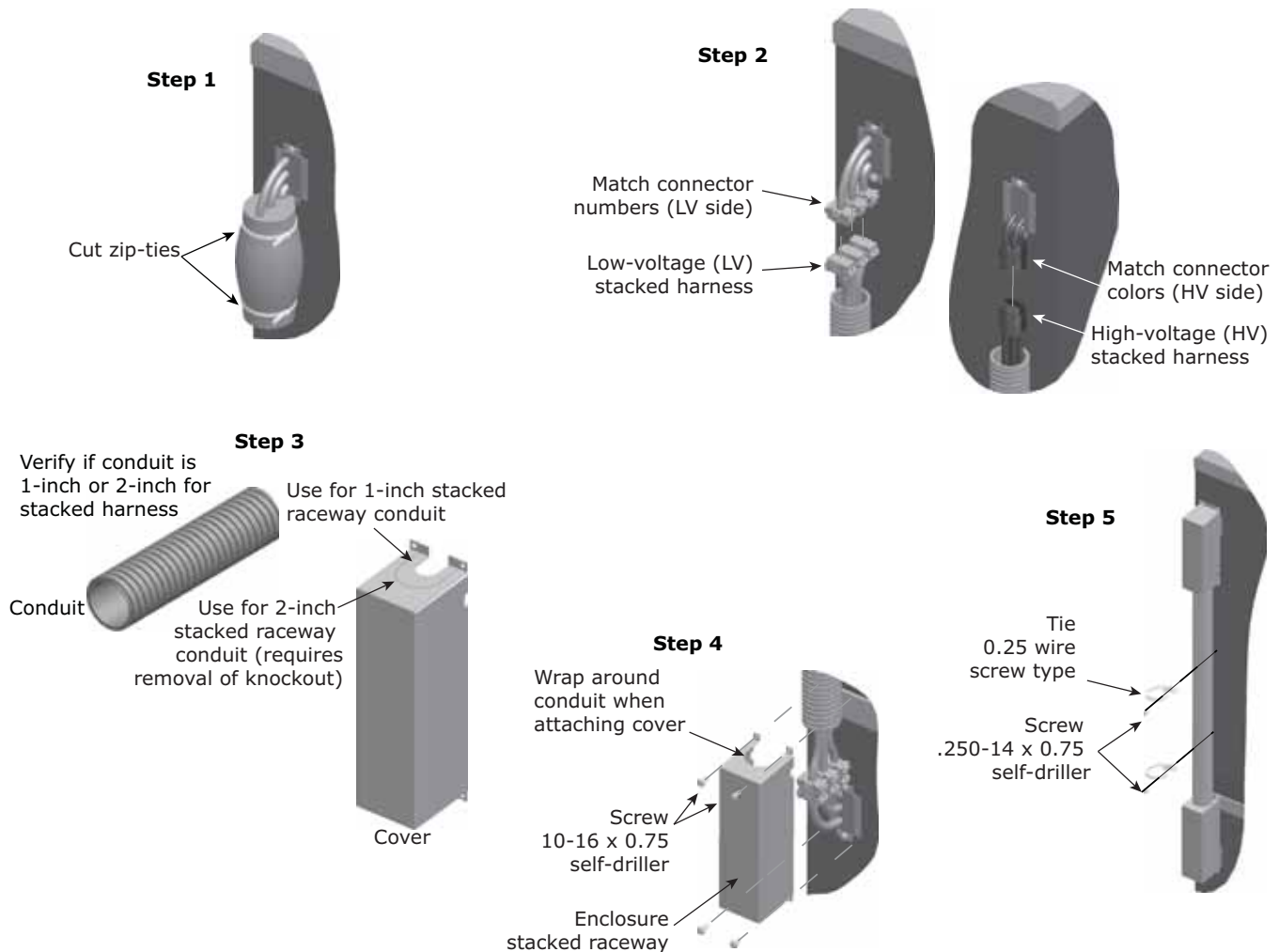
For air handling units with factory-installed power wiring extending from the first level to the second level, wiring must be connected and assembled in a raceway. See [Figure 70](#).

1. Cut zip ties. Remove protective foam cover from connectors.
2. Attach stacked raceway harness connectors, matching connector colors on the high voltage side and connector numbers on the low voltage side.
3. Verify conduit size.
4. Attach covers.
5. Secure conduit. Space tie-downs no greater than 10 inches. Locate cut-screw behind conduit.

Part numbers:

- Indoor
 - External Raceway Kit: KIT09713
- Outdoor
 - External Raceway Kit - Top: KIT16191
 - External Raceway Kit - Bottom: KIT16192

Figure 70. External raceway



Seismic Application Requirements

Air handling equipment manufactured by Trane is capable of structurally and operationally withstanding the seismic response criteria as required by the International Building Codes (IBC) 2000, 2003, 2006, 2009, 2012, and CBC 2007, 2010. Trane has third-party certification for IBC compliance for seismic applications for unit sizes 3-120 and stacked units.

Note: If seismic isolation has been specified, the following requirements must be adhered to for installation. Failure to follow these instructions would void the warranty.

Single Level Design - Size 3-120

Grade to Roof Mounted Non-Isolated

See following table.

Steel dunnage/steel curb. 3/8-inch diameter ASTM A325 or SAE grade 5 bolts attached to unit base located as noted above or 1-inch long 3/16-inch welds at unit base located as noted above.

Table 11. Anchor requirements

SDS	I _p	z/h	Attachment method	Equipment weight (lbs.)	Seismic Restraint model	Attachment System	
						Qty per tag	Method
1.483	1.5	1.0	Floor mounted (concrete)	45 psf maximum	Bolt down	2 per mounting location	Anchor: Hilti HDA-P Dia.: M12 x 125/50 Embed.: 4.922 inches Edge: 14-in./8-in. thick Conc.: 3000 psi
0.967	1.5	1.0	Floor mounted (concrete)	45 psf maximum	Bolt down	2 per mounting location	Anchor: Hilti TZ-CS Dia.: 1/2 inch Embed.: 3.25 inches Edge: 14-in./6-in. thick Conc.: 3000 psi
1.850	1.5	1.0	Floor mounted (steel)	45 psf maximum	Bolt down	2 per mounting location	Anchor: A325 Bolt Dia.: 1/2 inch Embed.: n/a Edge: n/a Conc.: n/a
1.850	1.5	1.0	Floor mounted (welded to steel)	45 psf maximum	Welded	1 per mounting location	6-inch weld length with 1/8-inch weld leg

Notes: Install clips at shipping split corners.
Install clips at shipping splits containing fans or coils at 48 inches maximum on-center spacing.

Stacked Design - Size 3-50

Grade to Roof Mounted ($0 \leq Sds \leq 1.85$) Non-Isolated

4000 psi concrete. •

- 1/2-inch diameter Hilti Kwik Bolt TZ carbon steel concrete anchors attached to unit base rails
- Install clips at all ship split corners.
- Install clips at ship splits with a stacked section at 36 inches maximum on-center spacing.
- Install clips at single level ship splits containing fans or coils at 48 inches maximum on-center spacing.
- 3 1/4-inch minimum anchor embedment
- 7 1/2-inch minimum distance to the nearest edge
- 6-inch minimum concrete slab thickness

Steel dunnage/steel curb.

1/2-inch diameter ASTM A325 or SAE Grade 5 bolts attached to unit base located as noted above or 1-inch long 3/16-inch welds at unit bases located as noted above.

Ceiling Suspended Units Size 3-30

($0 \leq Sds \leq 1.85$)

The details for the suspension system, including the steel members used to support the bottom of the unit, will need to be determined by working directly with The VMC Group. They will also help provide information regarding the required external isolation system.

Anchoring

Lifting lugs should be used to anchor the unit at the ends of each shipping split. Per the anchor requirements, additional anchoring may be needed. If so, anchors will be provided and installed on the unit. An example of a seismic anchor is shown in [Figure 71](#).

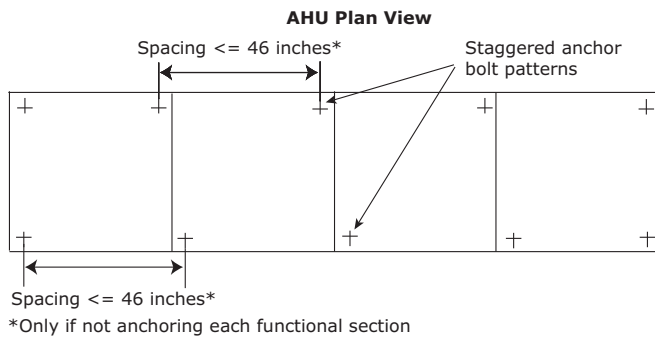
Anchor selection meets or exceeds IBC 2000, 2003, 2006, 2009, 2012, and CBC 2007, 2010 compliance requirements.

Special Inspection per IBC Section 1704 is required on all installations. All anchors listed above must be installed to meet compliance.

Figure 71. Seismic anchor



Figure 72. Seismic anchor pattern



Hurricane Application Requirements

Miami/Dade Co. Hurricane Certification

Performance Climate Changer air handlers are approved and have been designed to comply with the High Velocity Hurricane Zone of the Florida Building Code. Notice of compliance and additional product construction details can be found at the Miami-Dade County, Building Code Compliance Office Web site.

The Florida licensed engineer or architect-of-record for the project shall be responsible for the design, sizing, and structural adequacy of the product framework as well as curbing and attachment to the roof, or as accepted by the corresponding building departments.

Anchoring

The method shown in Figure 73 through Figure 78 is what is approved and recommended for anchoring the unit to substrate and roof curb. Any deviation to this may require the approval of the local building code enforcement agency.

Unit may be installed onto concrete (3.2 ksi min. compressive strength) or 1/4-inch thick steel (36 ksi min. yield) substrates with anchors through lifting lugs and angle clips attached to first level baserail. Unit may also be installed onto a 36 ksi yield steel curb by others.

Figure 73. Anchoring size 3-50 units to substrate or roof curb for hurricane applications

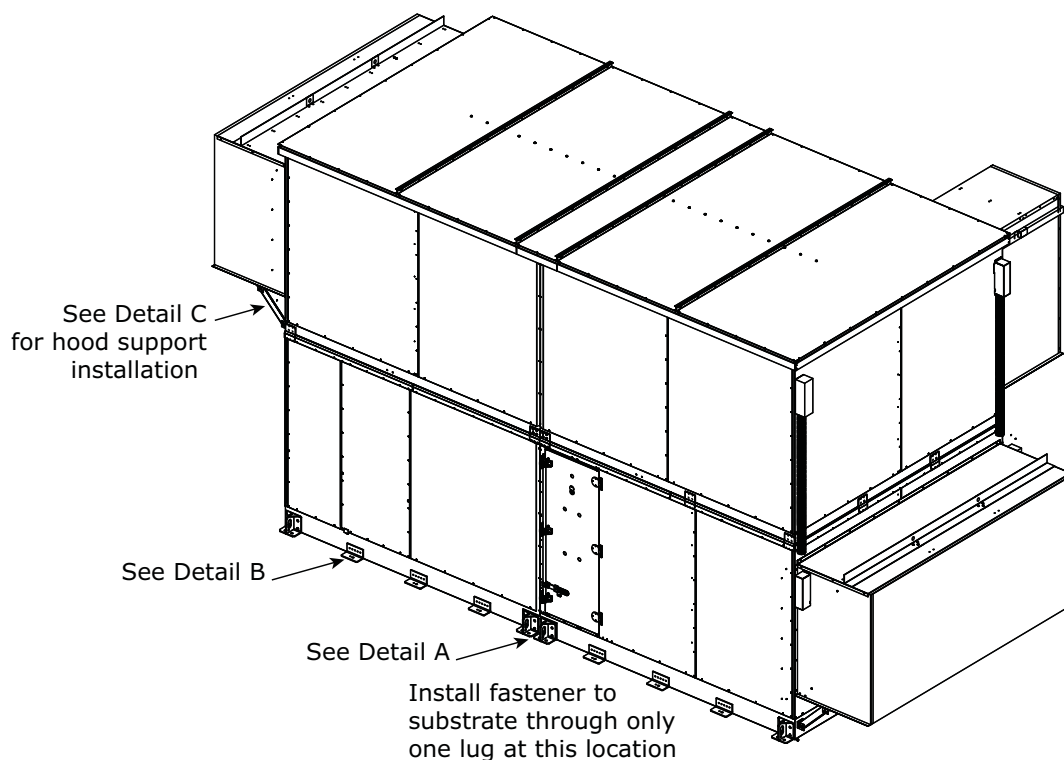


Figure 74. Anchoring size 57-120 units to substrate or roof curb for hurricane applications

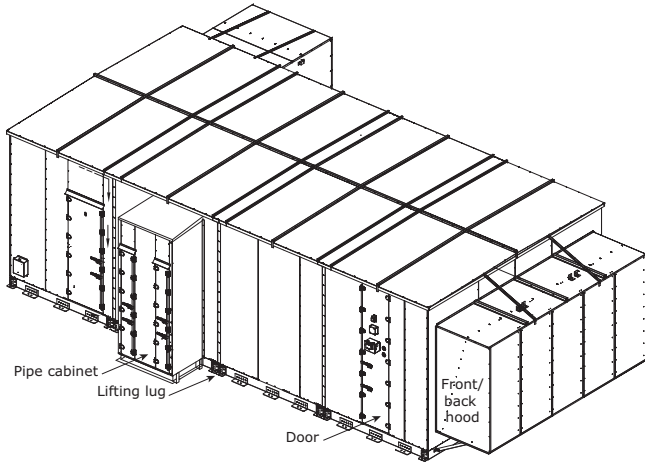


Figure 75. Detail A - typical anchorage at lugs

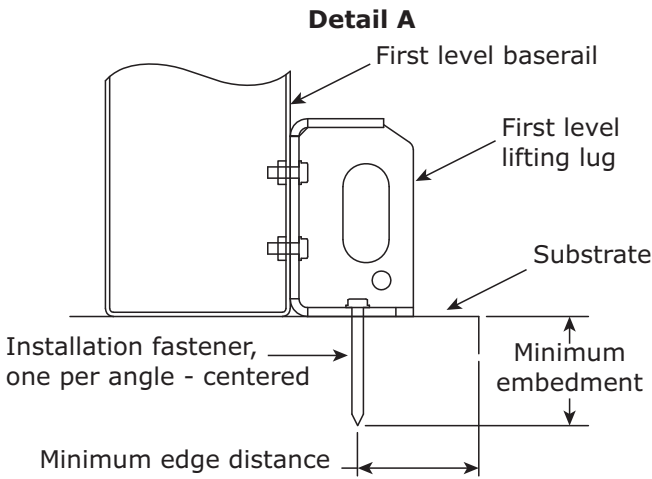


Figure 76. Detail B - typical installation baserail to curb

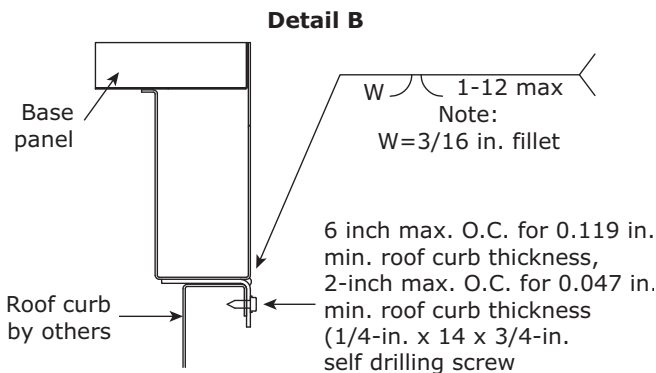


Figure 77. Detail C - typical anchorage at angle clips

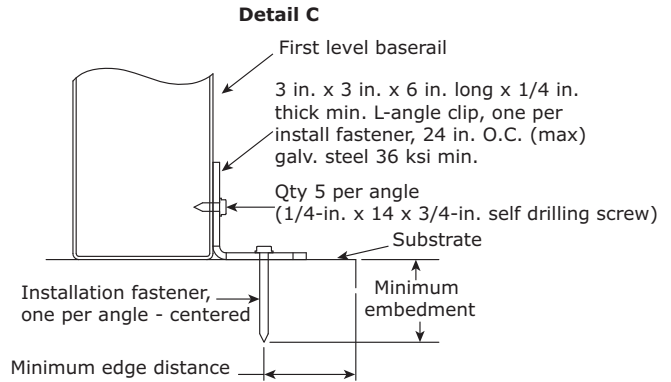


Table 12. Anchorage installation information for hurricane applications

Anchor/substrate	Minimum embedment	Minimum edge distance
1/2-inch powers chem-stud threaded rod installed with chem-stud adhesive capsule in 3.2 ksi minimum concrete substrate	1 1/2 inches	6 inches
1/2-inch HH F-type thread cutting screw installed in 36 ksi minimum steel 1/4-inch thick minimum (full thread engagement)	1/4 inch	1 1/4 inch

Figure 78. Approved field penetrations for hurricane applications

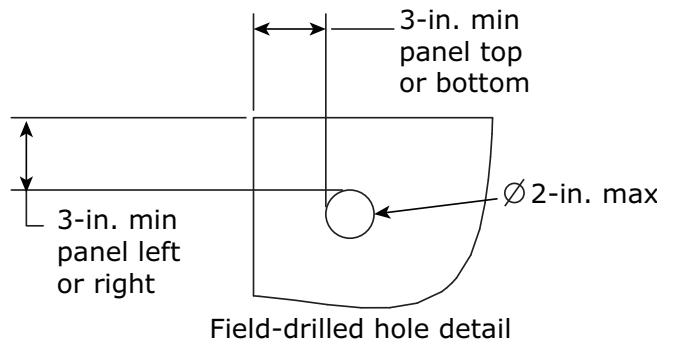


Figure 79. Hood installation size 3-50 - front and back hoods for hurricane applications

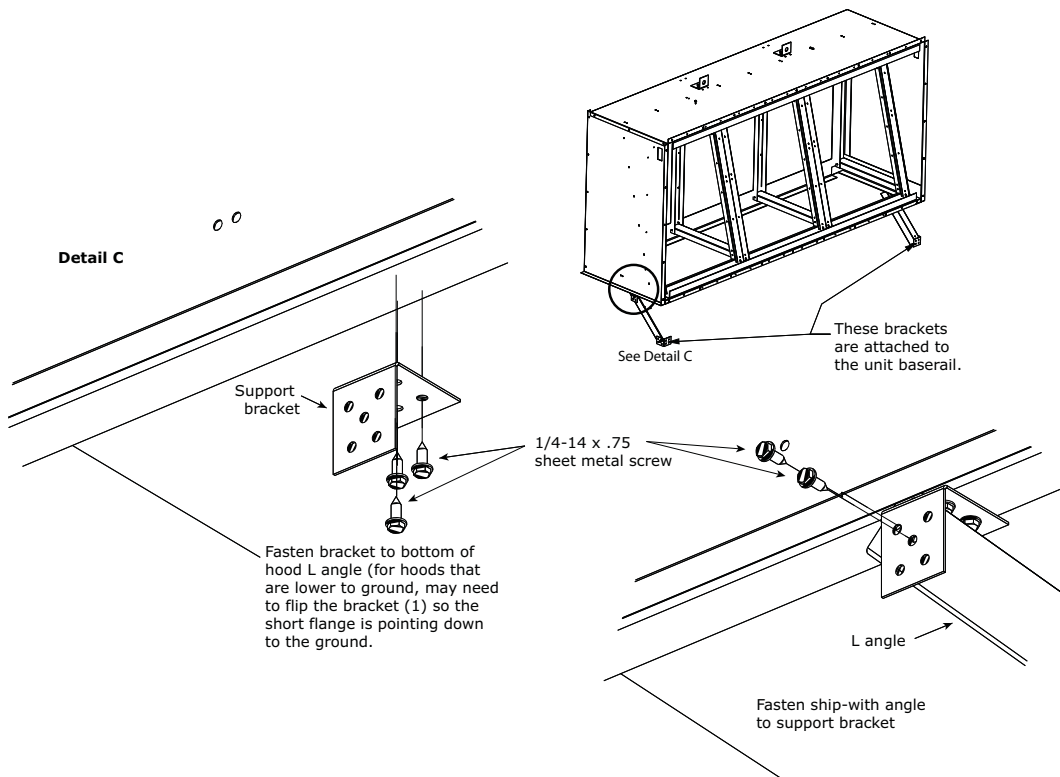
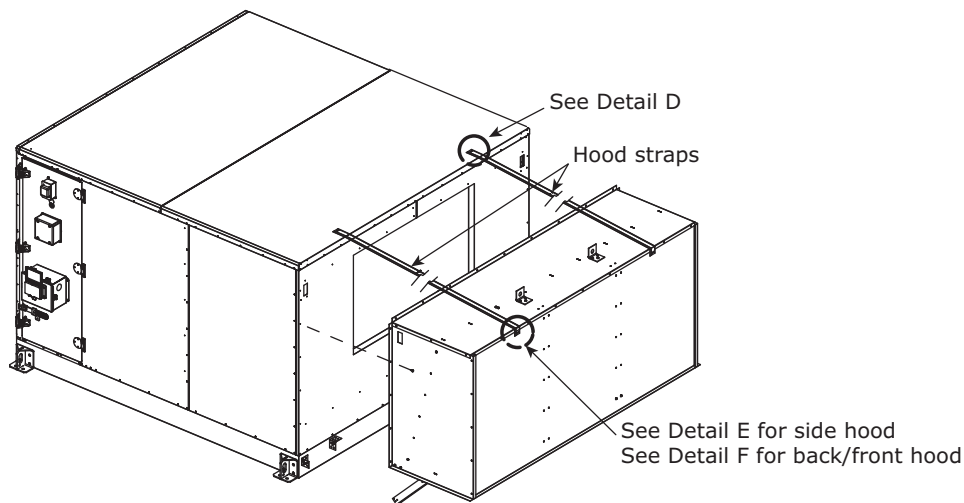


Figure 80. Hood installation size 57 - 120 for hurricane applications



Hood support bracket attachment

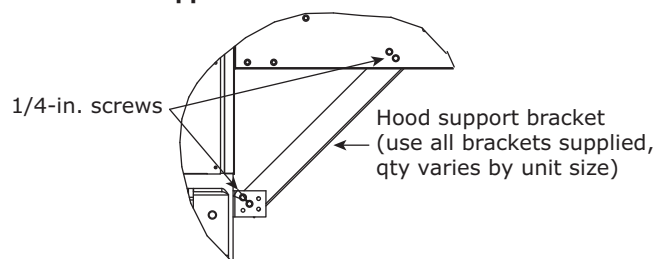


Figure 81. Detail D

1/4 -14 x 0.75 in. sheet metal screws

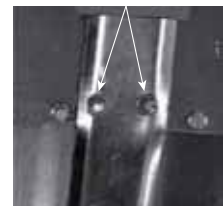


Figure 82. Detail E

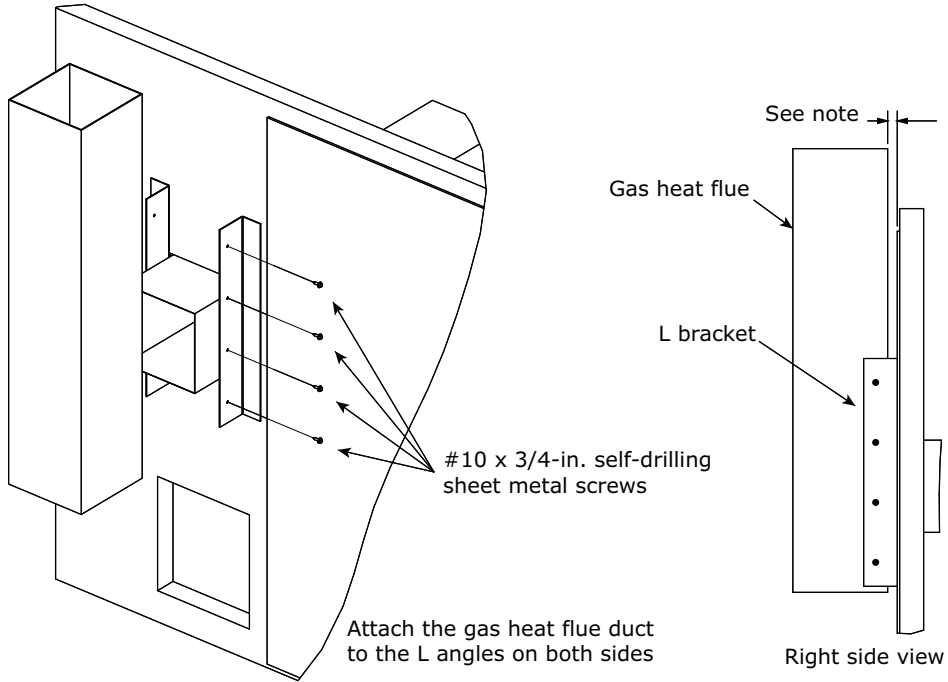


Figure 83. Detail F



Gas Heat Installation

Figure 84. Gas heat flue installation for hurricane applications



Note:

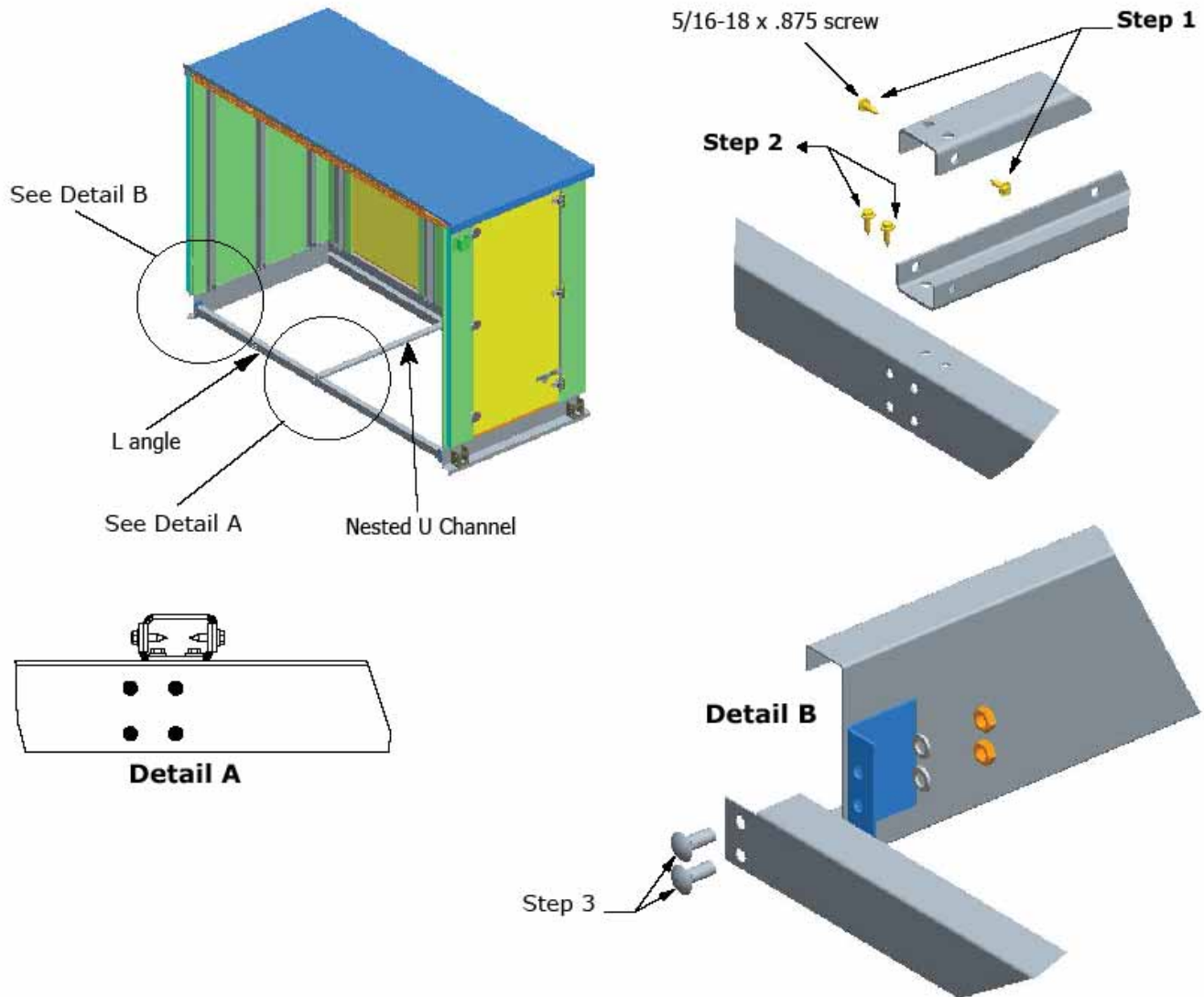
When installing flue, leave enough clearance to avoid roof's edge and anything above the roof.

Pipe Cabinet Installation

Nested U channels and L angle have to be removed to install the pipe cabinet to the unit and reinstall per hurricane certification guidelines. See [Figure 85](#).

1. Remove the fasteners from the top of the nested U channel.
2. Remove the U channel from the unit base L angle and the pipe cabinet base L angle.
3. Remove the corner fasteners from the pipe cabinet base and the unit base L angle. These fasteners are not required to be put back.

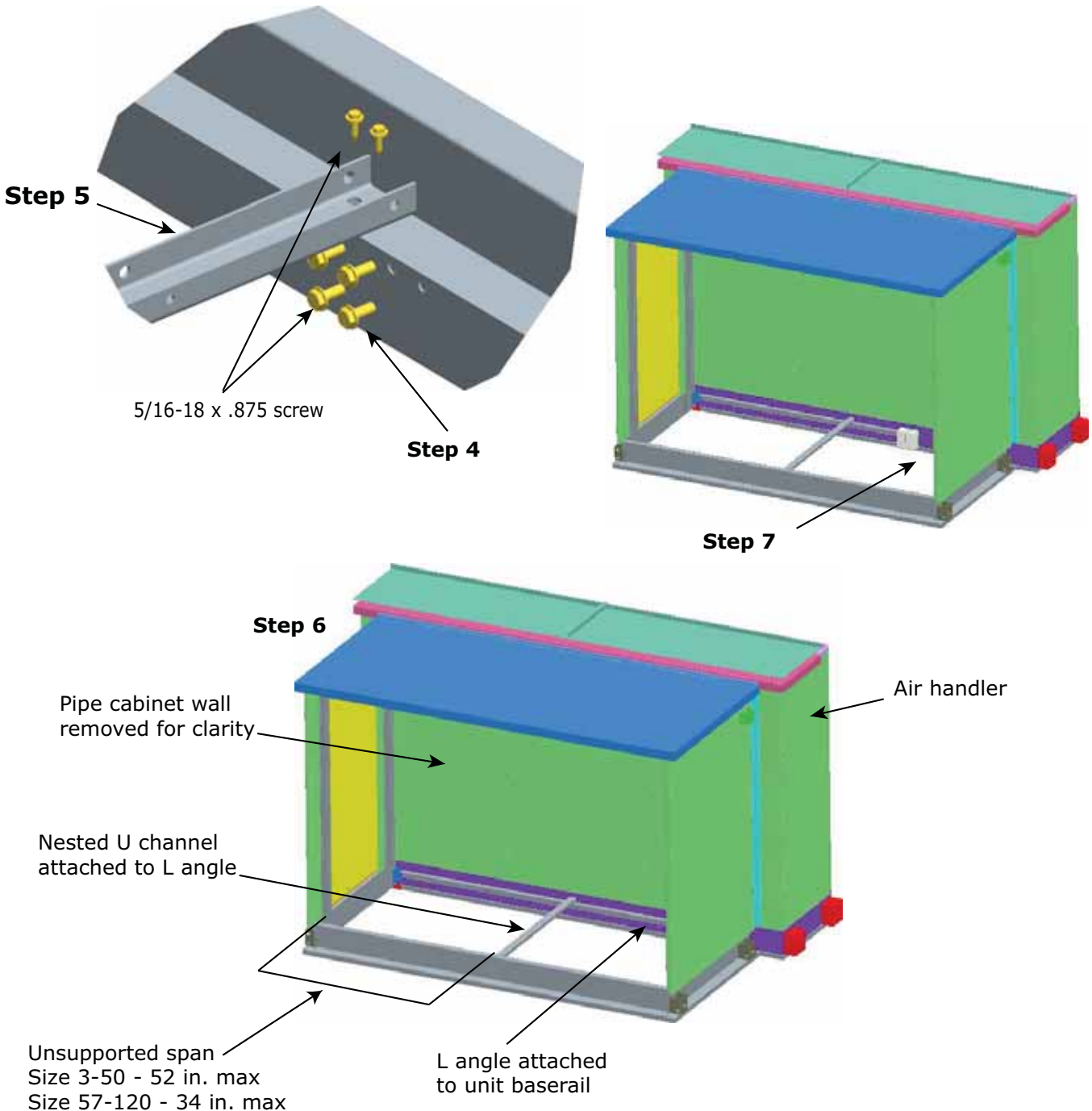
Figure 85. Pipe cabinet installation for hurricane applications



Installation - Mechanical

4. Attach the unit base L angle from the pipe cabinet to the unit base rail. See Step 4 in [Figure 86](#)
5. Attach a U channel to the unit base L angle. Make sure to clear any coil piping. Make sure to attach enough nested U channels to comply to the unsupported span. See Step 5 in [Figure 86](#).
6. Locate the pipe cabinet in place, and reinstall the U channel to the pipe base L angle and reinstall the top U channel to the nest (see Step 1, [Figure 85](#)).
7. When the L angle interferes with the unit base rail lifting lugs or splice plate, mark and cut L angle section to clear the component. If excess L angle is not needed for nested U channel, leave it off. See [Figure 86](#).

Figure 86. Pipe cabinet installation for hurricane applications



Pipe Cabinet Anchorage

Figure 87. Pipe cabinet anchorage to roof curb details for hurricane applications.

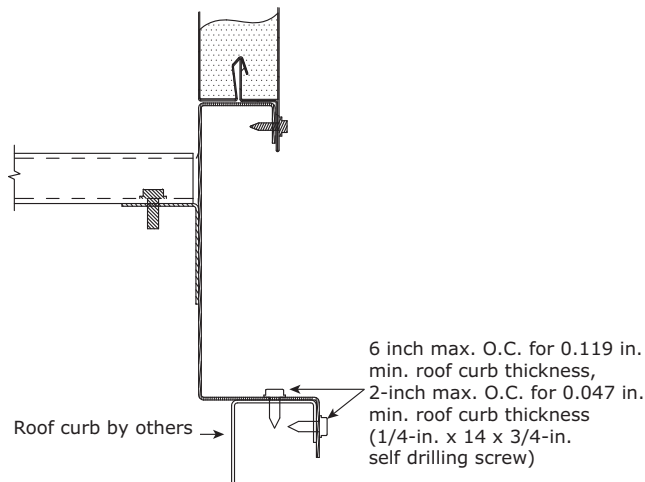
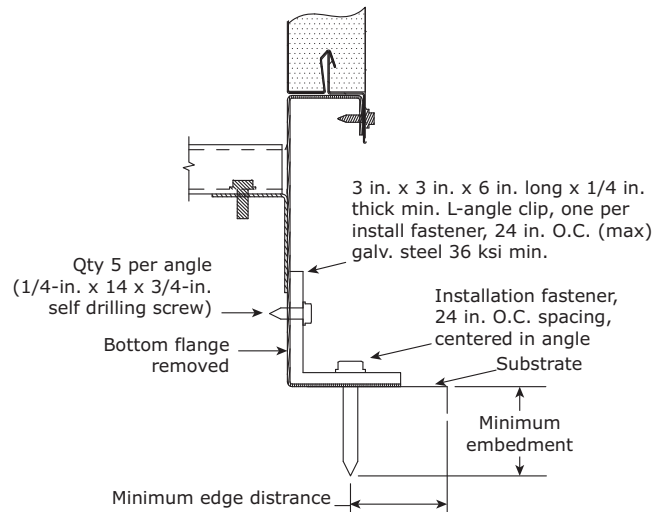


Figure 88. Pipe cabinet direct anchorage to substrate details for hurricane applications.



Component Installation

The components in the air handler may have installation requirements that could affect the unit's performance.

Dampers

Dampers are factory-installed and adjusted and can be found in mixing box/economizer sections. There are two damper blade configurations available: parallel-blade and opposed-blade.

Traq™ dampers are another type of damper available in mixing box sections. Traq dampers have only one blade configuration - opposed. They have two control applications available - standard Traq dampers and low-flow Traq dampers. Low-flow Traq dampers are always not linked and consist of two damper sets - one set for minimum outside air measurement and one set for economizing. The single low-flow Traq damper will have a VCM. The economizing damper will not.

The air handler is available with factory-mounted controls or end devices. If the unit is not ordered with controls or end devices, it is the installer's responsibility to provide and install the damper actuators. Size the actuators according to [Table 13](#).

Mixing section and economizer dampers are designed for the damper actuators to be direct coupled and installed in the air stream. If other provisions are required, modifications to the section will be the responsibility of the installing contractor.

The economizer that meets or exceeds all mandatory requirements prescribed by Title 24, including but not limited to:

- 5-year parts only warranty
- Successfully tested to 60,000 actuations
- Less than 10 cfm/sq.ft. of damper leakage at one inch w.g. per AMCA 500L



Component Installation

Damper Torque Requirements

Table 13. Mixing box damper torque requirements (inch pound) at 1-inch w.g. air pressure drop

Unit Size	Parallel airfoil damper only	Opposed airfoil damper only	Standard Traq damper only	Low-flow minimum OA Traq damper only	Low-flow econ Traq damper only	Parallel airfoil damper linked to parallel airfoil damper	Opposed airfoil damper linked to opposed airfoil damper	Standard Traq linked to airfoil damper	Standard Traq linked to standard Traq damper
3	9.00	6.40	18.00	n/a	n/a	10.30	7.70	19.30	36.00
4	13.10	9.30	36.00	18.00	18.00	14.90	11.20	19.90	72.00
6	17.10	12.20	36.00	18.00	18.00	19.60	14.70	38.40	72.00
8	23.30	16.60	54.00	18.00	36.00	26.60	19.90	57.30	108.00
10	29.00	20.70	54.00	18.00	36.00	33.20	24.90	58.10	108.00
12	35.70	25.50	67.50	22.50	45.00	40.70	30.60	72.60	135.00
14	39.50	28.20	67.50	22.50	45.00	45.20	33.90	73.10	135.00
17	48.90	34.90	67.50	22.50	45.00	55.90	41.90	74.50	135.00
21	60.40	43.10	99.00	33.00	66.00	69.00	51.80	107.60	198.00
25	72.40	51.70	99.00	33.00	66.00	82.80	62.10	109.30	198.00
30	84.20	60.10	108.00	36.00	72.00	96.20	72.20	120.00	216.00
35	100.20	71.50	108.00	36.00	72.00	114.50	85.90	122.30	198.00
40	110.20	78.70	108.00	36.00	72.00	125.90	94.50	119.60	198.00
50	126.30	90.20	112.50	37.50	75.00	144.30	108.20	139.11	216.00
57	154.80	110.60	112.50	37.50	75.00	176.90	132.70	167.60	198.00
66	177.60	126.80	150.00	37.50	75.00	202.90	152.20	194.70	264.00
80	210.30	150.20	187.50	37.50	112.50	240.30	180.20	231.60	360.00
100	272.00	194.30	225.00	37.50	150.00	310.90	233.20	297.70	396.00
120	322.40	230.30	225.00	37.50	150.00	368.50	276.30	348.10	432.00

Table 14. Air-to-Air Plate Heat Exchanger Bypass Damper

Unit size	Damper dia (in)		Damper qty	Damper torque (in-lb)	Actuator torque (max) (in-lb)	Actuator qty	Linkage
	A	B					
3	25.00	24.03	1	20.90	42.00	1	No
4	37.50	24.03	1	31.30	42.00	1	No
6	37.50	29.78	1	38.80	180.00	1	No
8	44.00	29.78	1	45.50	180.00	1	No
10	55.00	35.53	1	67.90	180.00	1	No
12	60.00	35.53	1	74.00	180.00	1	No
14	65.50	35.53	1	80.80	180.00	1	No
17	65.50	24.03	2	109.30	180.00	1	Yes
21	73.50	24.03	2	122.70	180.00	1	Yes
25	73.50	29.78	2	152.00	180.00	1	Yes
30	87.00	29.78	2	179.90	180.00	1	Yes
35	93.50	29.78	2	193.40	180.00	2	Yes
40	106.00	29.78	2	219.20	180.00	2	Yes

Table 15. Air-to-Air Plate Heat Exchanger Frost Damper

Unit size	Damper dia (in)		Damper qty	Damper torque (in-lb)	Actuator torque (max) (in-lb)	Actuator qty	Linkage
	A	B					
3	25.00	13.97	1	12.10	42.00	1	No
4	37.50	13.97	1	18.20	42.00	1	No
6	37.50	13.97	1	18.20	42.00	1	No
8	44.00	13.97	1	21.30	42.00	1	No
10	55.00	13.97	1	26.70	42.00	1	No
12	60.00	13.97	1	29.10	42.00	1	No
14	65.50	13.97	1	31.80	180.00	1	No
17	65.50	13.97	2	63.50	180.00	1	Yes
21	73.50	13.97	2	71.30	180.00	1	Yes
25	73.50	13.97	2	71.30	180.00	1	Yes
30	87.00	13.97	2	84.40	180.00	1	Yes
35	93.50	13.97	2	90.70	180.00	1	Yes
40	106.00	13.97	2	102.80	180.00	1	Yes
50	119.00	13.97	2	115.40	180.00	1	Yes

Table 16. Standard damper to low-flow Traq damper

Unit size	Damper dia (in)	Total damper qty	Low flow Traq damper qty	Linked Traq damper torque (in-lb.)	Damper torque (in-lb.)	Actuator torque (max) (in-lb.)	Actuator qty for linked damper	Actuator qty for linked Traq damper	Actuator qty for single low flow Traq damper	Face-to-face linkage	Linkage on face damper	Actuator total qty
6	13.00	2	1	18.00	17.15	42	1	1	1	No	No	3
8	13.00	3	1	36.00	23.26	42	1	1	1	No	Yes	3
10	13.00	3	1	36.00	29.03	180	1	1	1	No	Yes	3
12	16.00	3	1	45.00	35.65	180	1	1	1	No	Yes	3
14	16.00	3	1	45.00	39.54	180	1	1	1	No	Yes	3
17	16.00	3	1	45.00	48.89	180	1	1	1	No	Yes	3
21	20.00	3	1	66.00	60.39	180	1	1	1	No	Yes	3
25	20.00	3	1	66.00	72.43	180	1	1	1	No	Yes	3
30	24.00	3	1	72.00	84.19	180	1	1	1	No	Yes	3
35	24.00	3	1	72.00	100.16	180	1	1	1	No	Yes	3
40	24.00	3	1	72.00	110.19	180	1	1	1	No	Yes	3
50	28.00	3	1	75.00	126.29	180	1	1	1	No	Yes	3
57	28.00	3	1	75.00	154.80	180	1	1	1	No	Yes	3
66	28.00	4	1	112.50	177.56	180	1	1	1	No	Yes	3
80	28.00	5	2	150.00	210.27	180	2	1	1	No	Yes	4
100	28.00	6	2	187.50	272.04	180	2	2	1	No	Yes	5
120	28.00	6	2	187.50	322.40	180	2	2	1	No	Yes	5



Component Installation

Table 17. Standard Traq damper - low flow Traq damper

Unit size	Damper dia (in)	Damper qty per face	Damper torque (in-lb.)	Std Traq damper torque (in-lb.)	Linked low flow Traq damper torque (in-lb.)	Actuator torque (max) (in-lb.)	Actuator qty for linked Std Traq Damper	Actuator qty for linked low flow Traq damper	Actuator qty for single low flow Traq damper	Face-to-face linkage	Linkage on face	Total actuator qty
6	13.00	2	18.0	36.0	18.00	42	1	-	2	No	Yes	3
8	13.00	3	18.0	54.0	36.00	180	1	1	1	No	Yes	3
10	13.00	3	18.0	54.0	36.00	180	1	1	1	No	Yes	3
12	16.00	3	22.5	67.5	45.00	180	1	1	1	No	Yes	3
14	16.00	3	22.5	67.5	45.00	180	1	1	1	No	Yes	3
17	16.00	3	22.5	67.5	45.00	180	1	1	1	No	Yes	3
21	20.00	3	33.0	99.0	66.00	180	1	1	1	No	Yes	3
25	20.00	3	33.0	99.0	66.00	180	1	1	1	No	Yes	3
30	24.00	3	36.0	108.0	72.00	180	1	1	1	No	Yes	3
35	24.00	3	36.0	108.0	72.00	180	1	1	1	No	Yes	3
40	24.00	3	36.0	108.0	72.00	180	1	1	1	No	Yes	3
50	28.00	3	37.5	112.5	75.00	180	1	1	1	No	Yes	3
57	28.00	3	37.5	112.5	75.00	180	1	1	1	No	Yes	3
66	28.00	4	37.5	150.0	112.50	180	1	1	1	No	Yes	3
80	28.00	5	37.5	187.5	150.00	180	2	1	1	No	Yes	4
100	28.00	6	37.5	225.0	187.5	180	2	2	1	No	Yes	5
120	28.00	6	37.5	225.0	187.5	180	2	2	1	No	Yes	5

Table 18. Side Traq damper - standard flow mixing box

Unit size	Damper dia (in)	Damper qty	Damper torque (in-lb)	Total torque (in-lb)	Actuator torque (max) (in-lb)	Actuator qty	Face-to-face linkage	Linkage on face
3, 4, 6, 8	13.00	1	18.00	18.00	42.00	1	No	No
10, 12	16.00	1	22.50	22.50	42.00	1	No	No
14, 17	13.00	2	18.00	36.00	42.00	1	No	Yes
21, 25	16.00	2	22.50	45.00	180.00	1	No	Yes
30, 35, 40	20.00	2	33.00	66.00	180.00	1	No	Yes
50, 57, 66	24.00	2	36.00	72.00	180.00	1	No	Yes
80	28.00	2	37.50	75.00	180.00	1	No	Yes
100	28.00	3	37.50	112.50	180.00	1	No	Yes
120	24.00	4	36.00	144.00	180.00	1	No	Yes

Table 19. Side Traq damper - standard flow diagonal economizer

Unit sizes	Damper dia (in)	Damper qty	Damper torque (in-lb.)	Total torque (in-lb.)	Actuator torque (max) (in-lb.)	Actuator qty	Face-to-face linkage	Linkage on face
3	13.00	1	18.00	18.00	42.00	1	No	No
4	13.00	2	18.00	36.00	42.00	2	No	No
6, 8	13.00	2	18.00	36.00	42.00	1	No	Yes
10, 12, 14	16.00	2	22.50	45.00	180.00	1	No	Yes
17	13.00	4	18.00	72.00	180.00	1	No	Yes
21	20.00	2	33.00	66.00	180.00	1	No	Yes
25	16.00	4	22.50	90.00	180.00	1	No	Yes
30	20.00	3	33.00	99.00	180.00	1	No	Yes
35	28.00	2	37.50	37.50	42.00	2	No	No
40	28.00	2	37.50	75.00	180.00	1	No	Yes
50	24.00	3	36.00	108.00	180.00	1	No	Yes
57	24.00	4	36.00	144.00	180.00	1	No	Yes
66	28.00	3	37.50	112.50	180.00	1	No	Yes
80	28.00	4	37.50	150.00	180.00	1	No	Yes
100, 120	28.00	5	37.50	187.50	180.00	2	No	Yes

Table 20. Single -Side Traq low flow mixing box

Unit size	Damper Dia (in)	Damper Qty	Damper Torque (in-lb.)	Low flow Traq Torque (in-lb.)	Remained Traq Torque (in-lb.)	Actuator qty for low flow Traq	Actuator qty for remained damper	Actuator total Qty	Face-to-face Linkage	Linkage on Face
14, 17	13.00	2	18.00	18.00	18.00	1	1	2	No	No
21, 25	16.00	2	22.50	22.50	22.50	1	1	2	No	No
30, 35, 40	20.00	2	33.00	33.00	33.00	1	1	2	No	No
50, 57, 66	24.00	2	36.00	36.00	36.00	1	1	2	No	No
80	28.00	2	37.50	37.50	37.50	1	1	2	No	No
100	28.00	3	37.50	37.50	75.00	1	1	2	No	Yes
120	24.00	4	36.00	36.00	108.00	1	1	2	No	Yes

Table 21. Dual-side Traq low flow mixing box

Unit size	Damper dia (in)	Damper qty	Damper torque (in-lb)	Low-flow Traq torque (in-lb)	Remained Traq torque (in-lb)	Actuator qty for std Traq damper	Actuator qty for low-flow Traq damper	Actuator qty for single low-flow Traq	Actuator total qty	Face-to-face linkage	Linkage on face
3, 4, 6, 8	13.00	2	18.00	18.00	18.00	1	-	1	2	No	No
10, 12	16.00	2	22.50	22.50	22.50	1	-	1	2	No	No
14, 17	13.00	4	18.00	18.00	54.00	1	1	1	3	No	No
21, 25	16.00	4	22.50	22.50	67.50	1	1	1	3	No	No
30, 35, 40	20.00	4	33.00	33.00	99.00	1	1	1	3	No	No
50, 57, 66	24.00	4	36.00	36.00	108.00	1	1	1	3	No	No
80	28.00	4	37.50	37.50	112.50	1	1	1	3	No	No
100	28.00	6	37.50	37.50	187.50	1	1	1	3	No	Yes
120	24.00	8	36.00	36.00	252.00	1	1	1	3	No	Yes



Component Installation

Table 22. Side Traq low-flow diagonal economizer

Unit size	Damper dia (in)	Damper qty	Damper torque (in-lb.)	Low flow Traq torque (in-lb.)	Remainder Traq torque (in-lb.)	Actuator qty for low flow Traq	Actuator qty for remainder damper	Actuator total qty	Face-to-face linkage	Linkage on face
6	13.00	2	18.00	18.00	18.00	1	1	2	No	No
8	13.00	2	18.00	18.00	18.00	1	1	2	No	No
10	16.00	2	22.50	22.50	22.50	1	1	2	No	No
12	16.00	2	22.50	22.50	22.50	1	1	2	No	No
14	16.00	2	22.50	22.50	22.50	1	1	2	No	No
17	13.00	4	18.00	18.00	54.00	1	1	2	No	Yes
21	20.00	2	33.00	33.00	33.00	1	1	2	No	No
25	16.00	4	22.50	22.50	67.50	1	1	2	No	Yes
30	20.00	3	33.00	33.00	66.00	1	1	2	No	Yes
35	28.00	2	37.50	37.50	37.50	1	1	2	No	No
40	28.00	2	37.50	37.50	37.50	1	1	2	No	No
50	24.00	3	36.00	36.00	72.00	1	1	2	No	Yes
57	24.00	4	36.00	36.00	108.00	1	1	2	No	Yes
66	28.00	3	37.50	37.50	75.00	1	1	2	No	Yes
80	28.00	4	37.50	37.50	112.50	1	1	2	No	Yes
100	28.00	5	37.50	37.50	150.00	1	1	2	No	Yes
120	28.00	5	37.50	37.50	150.00	1	1	2	No	Yes

Table 23. Side rectangle angle damper - 2000 fpm

Unit size	A (in)	B (in)	Damper qty	Torque (in-lb.)	Actuator torque (max) (in-lb.)	Actuator qty	Linkage
3	11.25	13.97	1	13.10	42.00	1	No
4	11.25	13.97	1	13.10	42.00	1	No
6	15.75	13.97	1	18.30	42.00	1	No
8	20.25	13.97	1	23.60	42.00	1	No
10	20.25	16.30	1	27.50	42.00	1	No
12	27.00	16.30	1	36.70	42.00	1	No
14	23.25	19.72	1	38.20	42.00	1	No
17	30.50	19.72	1	50.10	180.00	1	No
21	36.75	19.72	1	60.40	180.00	1	No
25	45.75	19.72	1	75.20	180.00	1	No
30	48.50	20.22	1	81.70	180.00	1	No
35	45.50	25.47	1	96.60	180.00	1	No
40	48.00	28.35	1	113.40	180.00	1	No
50	56.75	31.22	1	147.60	180.00	1	No
57	65.75	31.22	1	171.10	180.00	1	No
66	70.50	31.22	1	183.40	180.00	2	No
80	85.00	31.22	1	221.10	180.00	2	No
100	95.00	36.97	1	292.70	180.00	2	No
120	96.00	42.72	1	341.80	180.00	2	No

Table 24. Side rectangle damper per 1200 fpm - diagonal economizer with OA rectangular dampers

Unit size	A (in)	B (in)	Damper qty	Torque (in-lb.)	Actuator torque (max) (in-lb.)	Actuator qty	Linkage
3	12.50	13.97	1	14.60	42.00	1	No
4	13.75	19.72	1	22.60	42.00	1	No
6	18.75	19.72	1	30.80	42.00	1	No
8	24.25	19.72	1	39.90	42.00	1	No
10	23.50	25.47	1	49.90	180.00	1	No
12	29.00	25.47	1	61.60	180.00	1	No
14	26.00	31.22	1	67.60	180.00	1	No
17	32.00	31.22	1	83.30	180.00	1	No
21	40.00	31.22	1	104.10	180.00	1	No
25	48.00	31.22	1	124.90	180.00	1	No
30	47.00	36.97	1	144.80	180.00	1	No
35	48.00	42.72	1	170.90	180.00	1	No
40	48.00	48.47	1	193.90	180.00	2	No
50	57.75	48.47	1	233.30	180.00	2	No
57	67.50	48.47	1	272.60	180.00	2	No
66	69.50	28.35	2	277.10	180.00	2	Yes
80	83.00	28.35	2	330.90	180.00	2	Yes
100	95.25	31.22	2	418.20	180.00	3	Yes
120	95.00	36.97	2	493.90	180.00	3	Yes

Table 25. Short mixing box rectangle damper - top, back or bottom only

Unit size	A (in)	B (in)	Damper Qty	Torque (in-lb.)	Actuator Torque (max) (in-lb.)	Actuator qty	Linkage
3	13.00	8.22	1	5.20	42.00	1	No
4	19.75	8.22	1	7.90	42.00	1	No
6	27.00	8.22	1	10.80	42.00	1	No
8	35.00	8.22	1	14.00	42.00	1	No
10	43.75	8.22	1	17.50	180.00	1	No
12	32.00	13.97	1	21.70	180.00	1	No
14	60.00	8.22	1	24.00	180.00	1	No
17	43.50	13.97	1	29.50	180.00	1	No
21	53.75	13.97	1	36.50	180.00	1	No
25	64.50	13.97	1	43.80	180.00	1	No
30	55.00	19.72	1	52.70	180.00	1	No
35	64.00	19.72	1	61.40	180.00	1	No
40	56.50	25.47	1	70.00	180.00	1	No
50	68.00	25.47	1	84.20	180.00	1	No
57	66.00	31.22	1	100.20	180.00	1	No
66	58.50	19.72	2	112.20	180.00	1	No
80	54.25	25.47	2	134.30	180.00	1	No
100	65.25	25.47	2	161.60	180.00	1	No
120	66.00	31.22	2	200.30	180.00	2	No



Component Installation

Table 26. Damper torque

Unit Size	E-Wheel (cfm)	CDQ (cfm)	A (in)	B (in)	Damper qty	Torque (in-lb)	Actuator Torque (max) (in-lb)	Actuator Qty	Linkage
3-4		1000	18.00	8.22	1	5.10	42.00	1	No
4		1500							
4-6	900	2000							
	1500								
4-8	2200		32.00	8.22	1	9.10	42.00	1	No
8	1500	3000							
10-12	2200								
8-14	3000		41.75	8.22	1	11.90	42.00	1	No
14	2200								
10-17	4000								
10	5000	4000							
		5000							
17-21	3000		53.50	8.22	1	15.30	42.00	1	No
12		5000							
12-21	5000								
12-14	6000	6000							
14	7000	7000							
21-30	4000		52.50	13.97	1	25.50	180.00	1	No
25-40	5000								
	6000								
35-40	7000								
21-25		10500							
30-50	10500		61.50	8.22	1	17.60	42.00	1	No
17-21	6000								
17	7000	7000							
21-30	7000		66.00	8.22	1	18.80	42.00	1	No
50	7000		65.00	13.97	1	31.50	180.00	1	No
25-50	8500								
30-50	12500								
30		13000							
21	8500	8500	70.00	8.22	1	20.00	42.00	1	No
35		15000	84.50	13.97	1	41.00	180.00	1	No
35-50	17500								
35-50	15000		75.00	13.97	1	36.40	180.00	1	No
40		17500	102.00	13.97	1	49.50	180.00	1	No
40-50	20000								
50	25000	20000	113.00	13.97	1	54.80	180.00	1	No
		25000							

Table 27. Energy recovery bypass opposed-blade damper

Unit size	A (in)	B (in)	Damper qty	Torque (in-lb.)	Actuator Torque (max) (in-lb.)	Actuator qty	Linkage
3 - 8	18.00	8.22	1	5.10	42.00	1	No
8 - 14	32.00	8.22	1	9.10	42.00	1	No
10 - 17	41.75	8.22	1	11.90	42.00	1	No
12 - 21	53.50	8.22	1	15.30	42.00	1	No
21 - 50	52.50	13.97	1	25.50	180.00	1	No
17, 21	61.50	8.22	1	17.60	42.00	1	No
21 - 30	66.00	8.22	1	18.80	42.00	1	No
25 - 50	65.00	13.97	1	31.50	180.00	1	No
21	70.00	8.22	1	20.00	42.00	1	No
35 - 50	84.50	13.97	1	41.00	180.00	1	No
35 - 50	75.00	13.97	1	36.40	180.00	1	No
40 - 50	102.00	13.97	1	49.50	180.00	1	No
50	113.00	13.97	1	54.80	180.00	1	No

Table 28. Exhaust fan damper torque

Unit size	A (in)	B (in)	Damper Qty	Torque (in-lb.)	Actuator Torque (max) (in-lb.)	Actuator qty	Linkage
3	19.83	13.97	1	13.50	42.00	1	No
4	32.33	13.97	1	22.00	42.00	1	No
6	32.33	13.97	1	22.00	42.00	1	No
8	38.83	13.97	1	26.40	180.00	1	No
10	49.83	13.97	1	33.80	180.00	1	No
12	54.83	13.97	1	37.20	180.00	1	No
14	60.33	13.97	1	41.00	180.00	1	No
17	60.33	13.97	1	41.00	180.00	1	No
21	68.33	13.97	1	46.40	180.00	1	No
25	68.33	13.97	1	46.40	180.00	1	No
30	81.83	13.97	1	55.60	180.00	1	No
35	40.88	19.72	2	78.40	180.00	2	No
40	30.42	19.72	3	87.50	180.00	3	No
50	34.75	19.72	3	99.90	180.00	3	No
57	34.75	19.72	3	99.90	180.00	3	No
66	39.75	31.22	3	181.00	180.00	3	No
80	38.42	31.22	3	174.90	180.00	3	No
100	43.09	31.22	3	196.20	180.00	3	No
120	52.25	31.22	3	237.90	180.00	3	No



Component Installation

Table 29. Energy recovery recirculation parallel-blade damper

Unit size	A (in)	B (in)	Damper qty	Torque (in-lb.)	Actuator torque (max) (in-lb.)	Actuator qty	Linkage
3	16.00	13.97	1	10.90	42.00	1	No
4	28.50	13.97	1	19.40	42.00	1	No
6	28.50	13.97	1	19.40	42.00	1	No
8	35.00	13.97	1	23.80	42.00	1	No
10	46.00	13.97	1	31.20	42.00	1	No
12	51.00	13.97	1	34.60	42.00	1	No
14	56.50	13.97	1	38.40	180.00	1	No
17	56.50	13.97	1	38.40	180.00	1	No
21	64.50	13.97	1	43.80	180.00	1	No
25	64.50	13.97	1	43.80	180.00	1	No
30	78.00	13.97	1	53.00	180.00	1	No
35	84.50	13.97	1	57.40	180.00	1	No
40	97.00	13.97	1	65.90	180.00	1	No
50	110.00	13.97	1	74.70	180.00	1	No

Table 30. Face damper torque requirements

Unit size	A (in)	B (in)	Damper Qty	Torque (in-lb)	Actuator torque (max) (in-lb.)	Actuator Qty
3	23.20	19.72	1	13.80	42.00	1
4	35.70	19.72	1	21.30	42.00	1
6	35.70	25.47	1	27.50	42.00	1
8	42.20	25.47	1	32.50	42.00	1
10	53.20	25.47	1	40.90	42.00	1
12	58.20	31.22	1	54.90	180.00	1
14	63.70	31.22	1	60.10	180.00	1
17	63.70	36.97	1	71.10	180.00	1
21	71.70	42.72	1	92.50	180.00	1
25	71.70	48.47	1	105.00	180.00	1
30	85.20	48.47	1	124.70	180.00	1
35	43.44	50.94	2	133.70	180.00	1
40	32.19	50.94	3	148.60	180.00	1
50	36.52	62.44	3	206.70	180.00	2
57	36.52	68.19	3	225.70	180.00	2
66	41.52	73.94	3	278.20	180.00	2
80	41.52	85.44	3	321.50	180.00	2
100	46.19	99.41	3	416.10	180.00	3
120	55.35	99.41	3	498.70	180.00	3

Table 31. Internal face-and-bypass damper torque requirements

Unit size	A (in)	B (in)	Damper Qty	Torque (in-lb)	Actuator torque (max) (in-lb.)	Actuator Qty
3	23.20	18.31	1	12.80	42.00	1
4	35.70	18.31	1	19.70	42.00	1
6	35.70	19.37	1	20.90	42.00	1
8	42.20	24.39	1	31.10	42.00	1
10	53.20	24.39	1	39.20	42.00	1
12	58.20	31.14	1	54.80	180.00	1
14	63.70	31.14	1	59.90	180.00	1
17	63.70	36.61	1	70.50	180.00	1
21	71.70	42.17	1	91.30	180.00	1
25	71.70	47.80	1	103.50	180.00	1
30	85.20	47.80	1	123.00	180.00	1
35	43.44	50.94	2	133.70	180.00	1
40	32.19	50.94	3	148.60	180.00	1
50	36.52	62.44	3	206.70	180.00	2
57	36.52	68.19	3	225.70	180.00	2
66	41.52	73.94	3	278.20	180.00	2
80	41.52	85.44	3	321.50	180.00	2
100	46.19	99.41	3	416.10	180.00	3
120	55.35	99.41	3	498.70	180.00	3

Table 32. External face-and-bypass damper torque requirements

Unit size	A (in)	B (in)	Damper Qty	Bypass Torque (in-lb)	Face Torque (in-lb.)	Torque (in-lb)	Actuator torque (max) (in-lb.)	Actuator Qty
3	19.83	13.97	1	8.40	13.80	22.20	42.00	1
4	32.33	13.97	1	13.60	21.30	34.90	42.00	1
6	32.33	13.97	1	13.60	27.50	41.10	42.00	1
8	38.83	13.97	1	16.40	32.50	48.90	180.00	1
10	49.83	13.97	1	21.00	40.90	62.00	180.00	1
12	54.83	13.97	1	23.10	54.90	78.00	180.00	1
14	60.33	13.97	1	25.50	60.10	85.50	180.00	1
17	60.33	13.97	1	25.50	71.10	96.60	180.00	1
21	68.33	13.97	1	28.80	92.50	121.40	180.00	1
25	68.33	13.97	1	28.80	105.00	133.80	180.00	1
30	81.83	13.97	1	34.50	124.70	159.30	180.00	1
35	41.17	13.97	2	34.70	133.70	168.40	180.00	1
40	27.61	13.97	3	35.00	148.6	183.50	180.00	2
50	31.94	13.97	3	40.40	206.70	247.10	180.00	2
57	31.94	13.97	3	40.40	225.70	266.10	180.00	2
66	36.94	25.47	3	85.30	278.20	363.50	180.00	3
80	36.94	25.47	3	85.30	321.50	406.80	180.00	3
100	41.61	25.47	3	96.00	416.10	512.20	180.00	2
120	50.78	25.47	3	117.20	498.70	615.90	180.00	3

Opposed-Blade/Parallel-Blade Damper

Opposed-blade and parallel-blade airfoil dampers in unit sizes 3-120, as well as internal and external face-and-bypass sections, have centered dampers with an internal jack-shaft (see [Figure 89](#), [Figure 90](#) and [Figure 91](#)). A 95-degree actuator rotation gives a 90-degree blade travel.

Note: Damper blades should be checked for proper operation from full open to full closed position before unit start up. Damper blade positioning may have changed due to shipping and handling vibrations.

Figure 89. Typical mixing box configurations for unit sizes 3 to 120

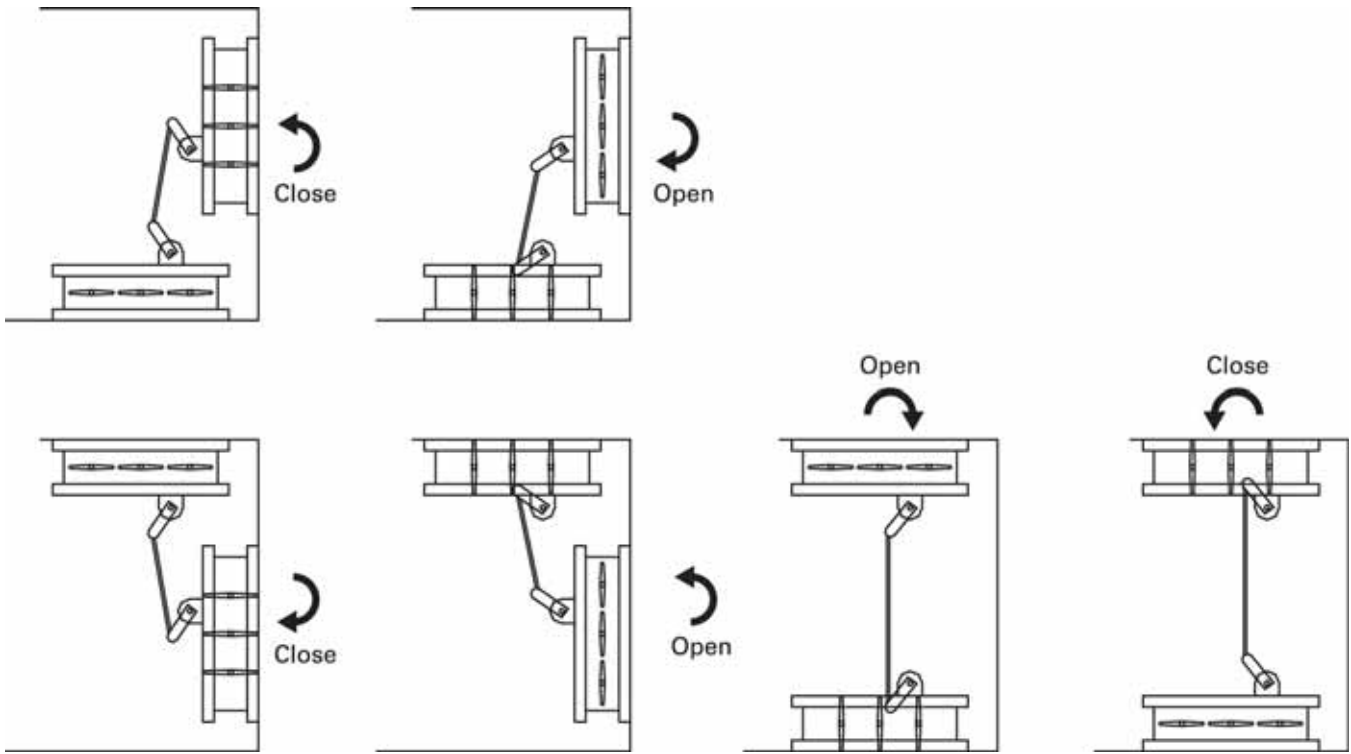
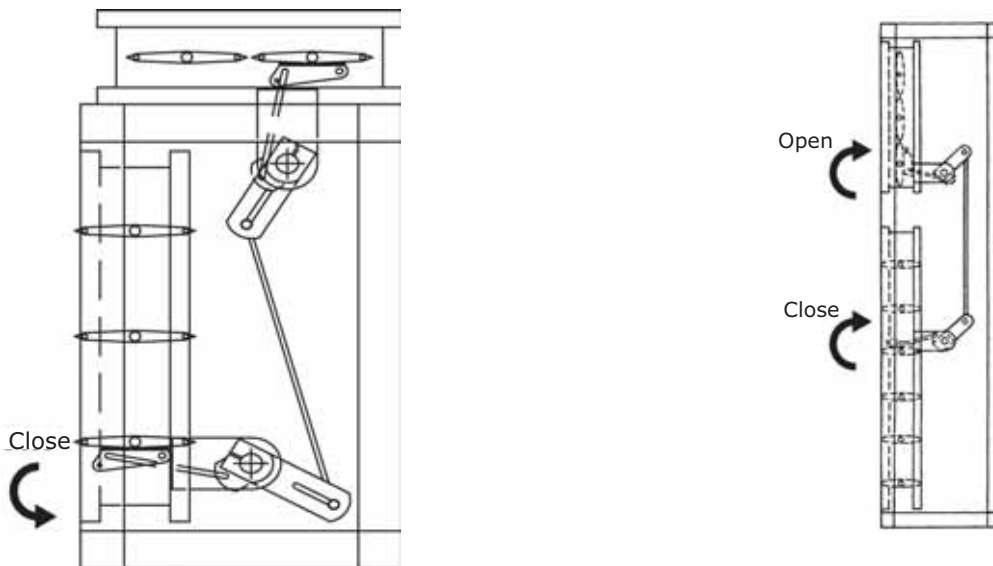


Figure 90. Typical internal face-and-bypass configuration

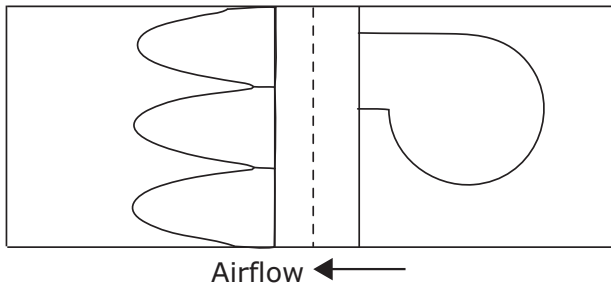
Figure 91. Typical external face-and-bypass configuration



Diffusers

Diffuser sections are usually placed between a fan and a downstream coil or filter. Because placement is critical to unit performance, verify the correct placement of the diffuser section before assembling the unit.

Figure 92. Diffuser placement sizes 3 to 120



Fans

The fan section can be configured as either draw-thru or blow-thru. Review the submittals and unit tagging information prior to assembly to determine placement.

⚠ WARNING

Hazardous Service Procedures!

Failure to follow all of the safety warnings provided, could result in death or serious injury. The maintenance and troubleshooting procedures recommended in this manual could result in exposure to electrical, mechanical or other potential safety hazards. Always refer to the safety warnings provided throughout this manual concerning these procedures. Unless specified otherwise, disconnect all electrical power including remote disconnect and discharge all energy storing devices such as capacitors before servicing. Follow proper lockout/tagout procedures to ensure the power can not be inadvertently energized. When necessary to work with live electrical components, have a qualified licensed electrician or other individual who has been trained in handling live electrical components perform these tasks.

Fan Isolation

The fan-and-motor assembly is internally isolated. The fan and motor bases are bolted to a minimum of four spring isolators. The isolators are secured to the fan section support base.

Shipping tie-down bolts are bolted adjacent to the isolators between the fan isolation base and the isolator support frame. The shipping tie-downs secure the isolation base to the support assembly to prevent any damage to the fan section during shipment.

*Note: Remove the tie-downs **only** if the factory-provided isolation is to be used.*

Adjusting the Isolators

Once the shipping tie-downs are removed and the internal isolation is released, it may be necessary to adjust the isolators to achieve the proper operation height of the fan and motor isolation base.

Minimum required clearances are listed in [Table 33](#). To determine the isolator clearances on all unit sizes, measure between the top of the cabinet channel and the bottom of the isolation base channel.

Table 33. Minimum isolator clearances (inches)

Unit Size	Fan Type	Required Clearance
3-8	FC, BC, Plenum	1.0
10-30	FC, AF, Plenum	0.5
35-57	FC, AF, Plenum	0.5
66-120	FC, AF, Plenum	1.0

Figure 93. Isolator adjustment for unit sizes 3-8

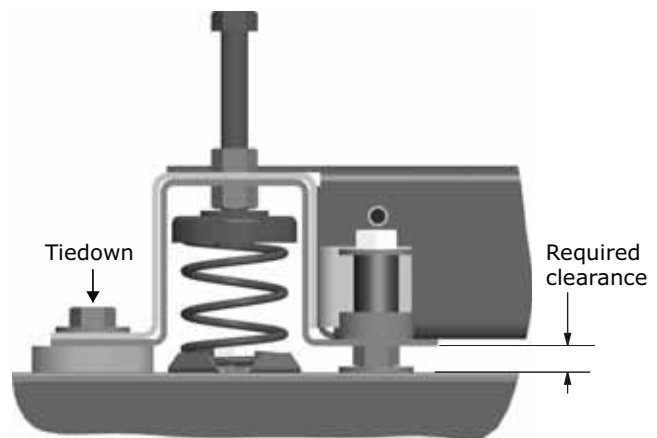


Figure 94. Isolator adjustment for unit sizes 10-30

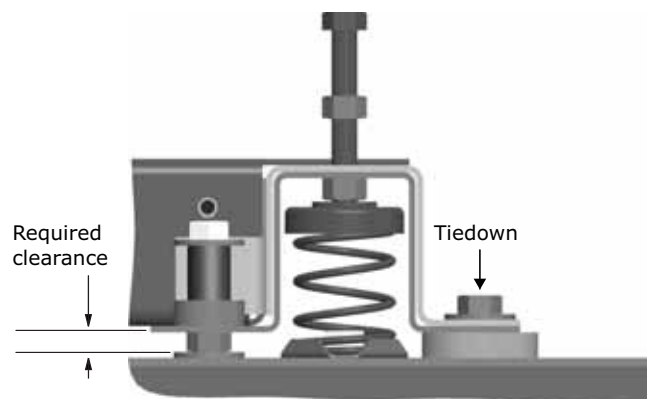
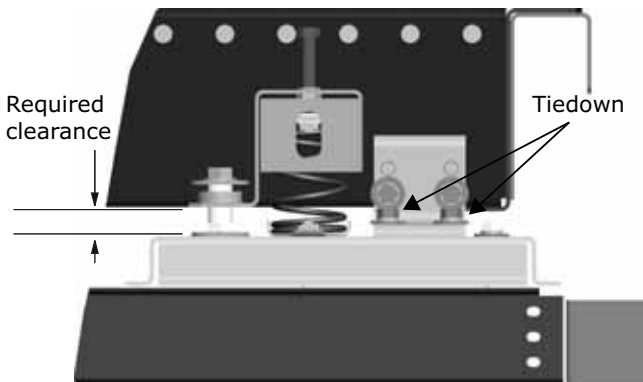
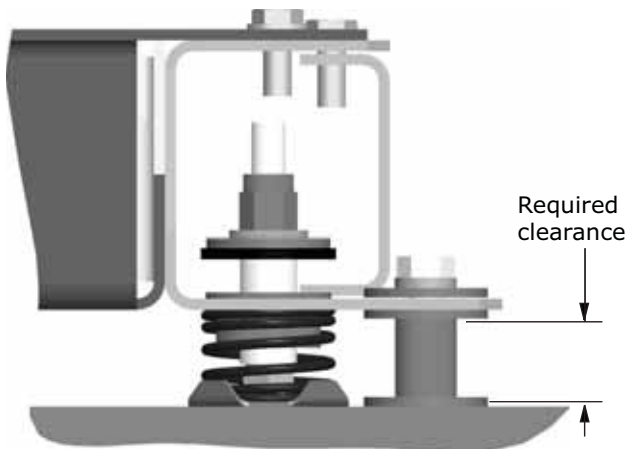


Figure 95. Isolator adjustment for unit sizes 66-120

Figure 96. Isolator adjustment for belt-drive plenum fans for unit sizes 3-8


Filters

Bag and cartridge filter sections can be used as a pre-filter section, a final filter section, or both. This use is determined by the filter's placement in relation to the fan.

- A final filter is placed after the fan.
- A pre-filter is placed before the fan.

Note: Cartridge and bag filters provided by Trane are fitted with a 7/8-inch header that fits in the filter track. If using filters supplied by another manufacturer, filters should be purchased with a 7/8-inch header. In some cases it may be necessary to gasket other manufacturers' filters to ensure a good air seal.

Filters should be installed when the unit is set. This will protect internal components, such as the heating and cooling coils.

Final Filter Section

A final filter section should not be bolted directly to the face of a fan section. One or more intermediate sections must be placed between the fan discharge and the filter section.

Pre-Filter Section

A pre-filter section has no special installation requirements unless placed directly upstream of a plenum fan. In these configurations, ensure a blank section is placed between the fan inlet and the filter section.

Trane recommends the use of disposable pre-filters with high-efficiency filters. Disposable pre-filters slide into the mounting tracks just ahead of the bag/cartridge filters.

Filter Installation

⚠ WARNING

Hazardous Voltage!

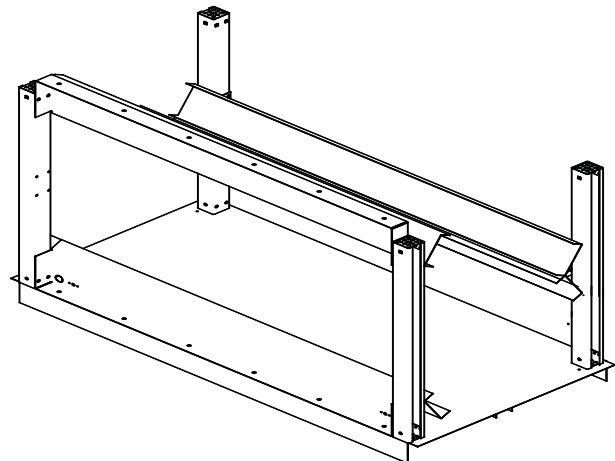
Failure to disconnect power before servicing could result in death or serious injury. Disconnect all electric power, including remote disconnects before servicing. Follow proper lockout/tagout procedures to ensure the power can not be inadvertently energized.

To install filters:

1. Disconnect the power to the unit.
2. Open the filter section access door.
3. Slide the filters into the tracks.

Note: Bag filters must be installed with the pleats in the vertical plane.

4. The block-off is permanently installed and will create a seal when the access door is closed.
5. Close the access door slowly to allow any gasketing to compress.

Figure 97. Filter block-off placement


Filter Placement

Figure 98. Side-loading 2-inch and 4-inch flat filter placement for unit sizes 3-35

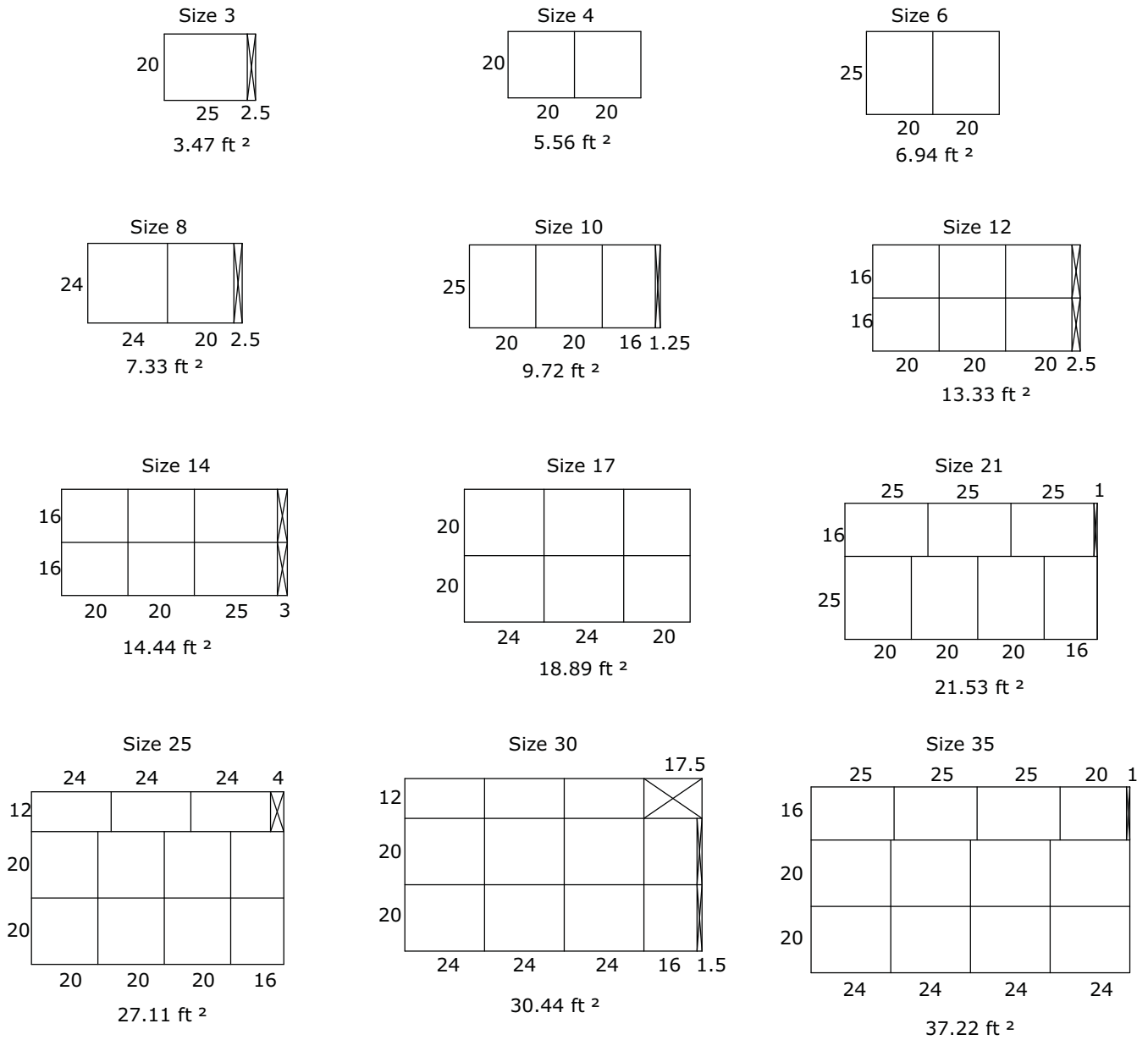


Figure 99. Side-loading 2-inch and 4-inch flat filter placement for unit sizes 40-120

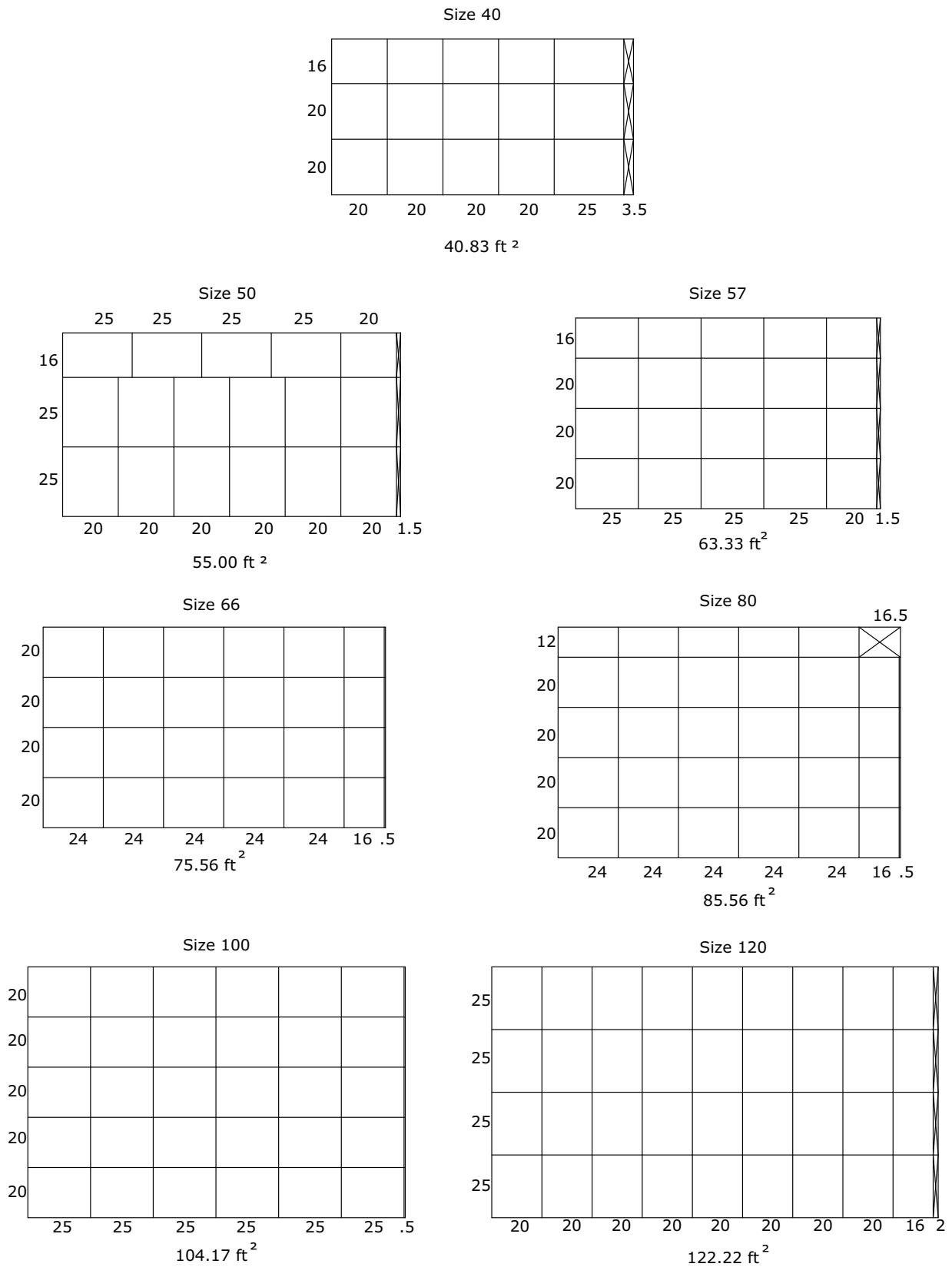


Figure 100. Side-loading 2-inch/4-inch combination flat filter placement for unit sizes 3-35

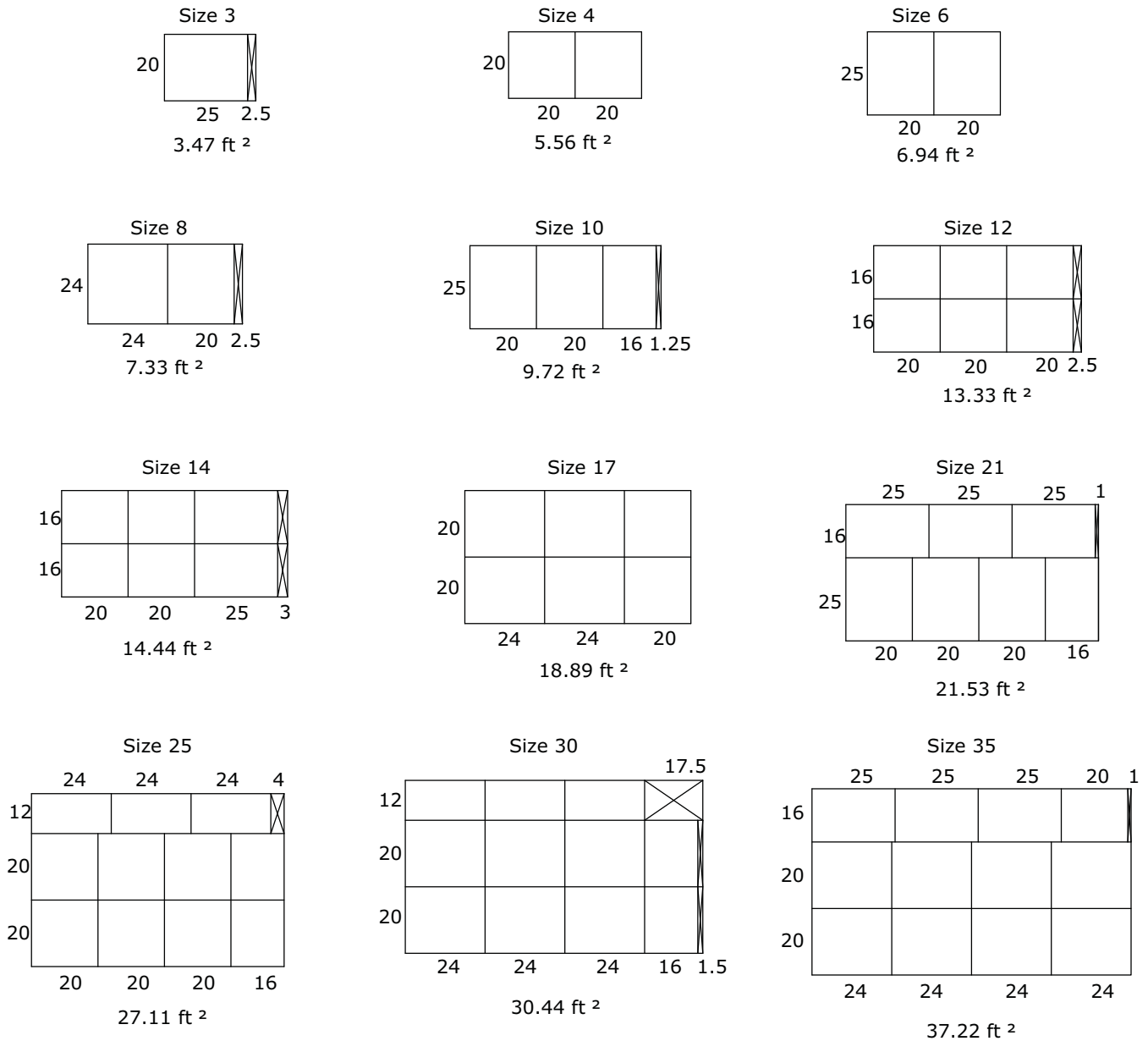


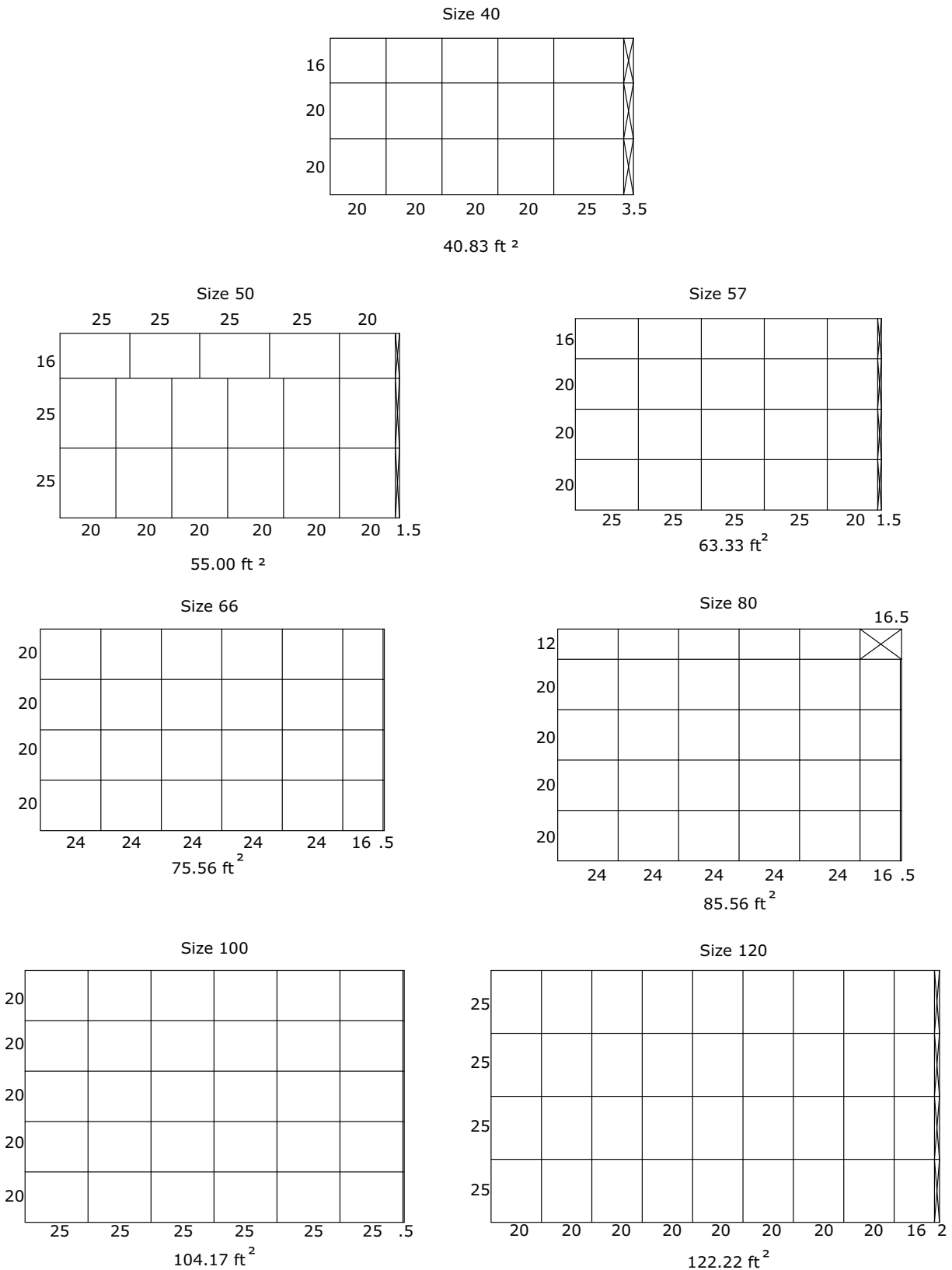
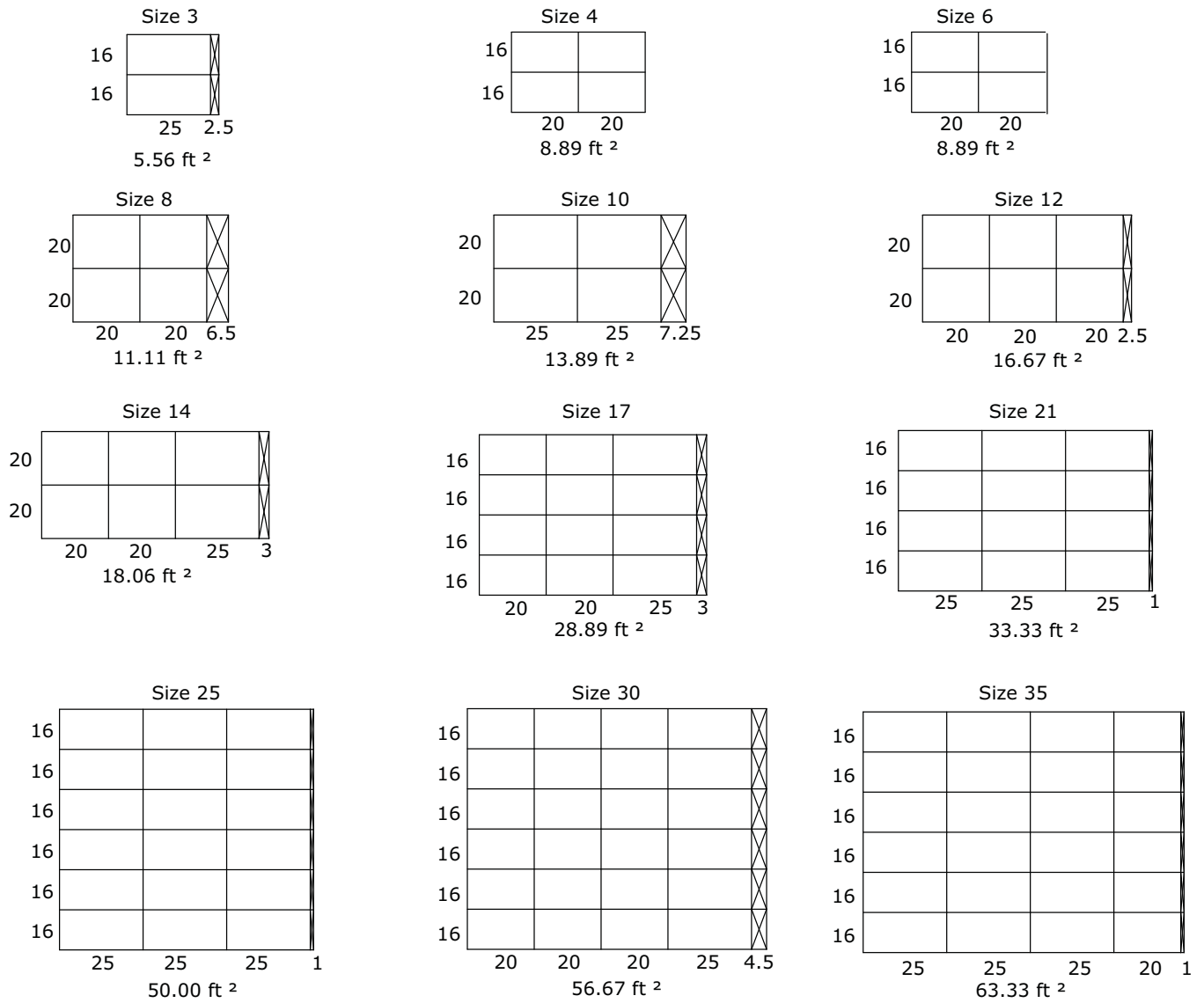
Figure 101. Side-loading 2-inch/4-inch combination flat filter placement for unit sizes 40-120


Figure 102. Side-loading 2-inch and 4-inch angled filter placement for unit sizes 3-35



Component Installation

Figure 103. Side-loading 2-inch and 4-inch angled filter placement for unit sizes 40-120

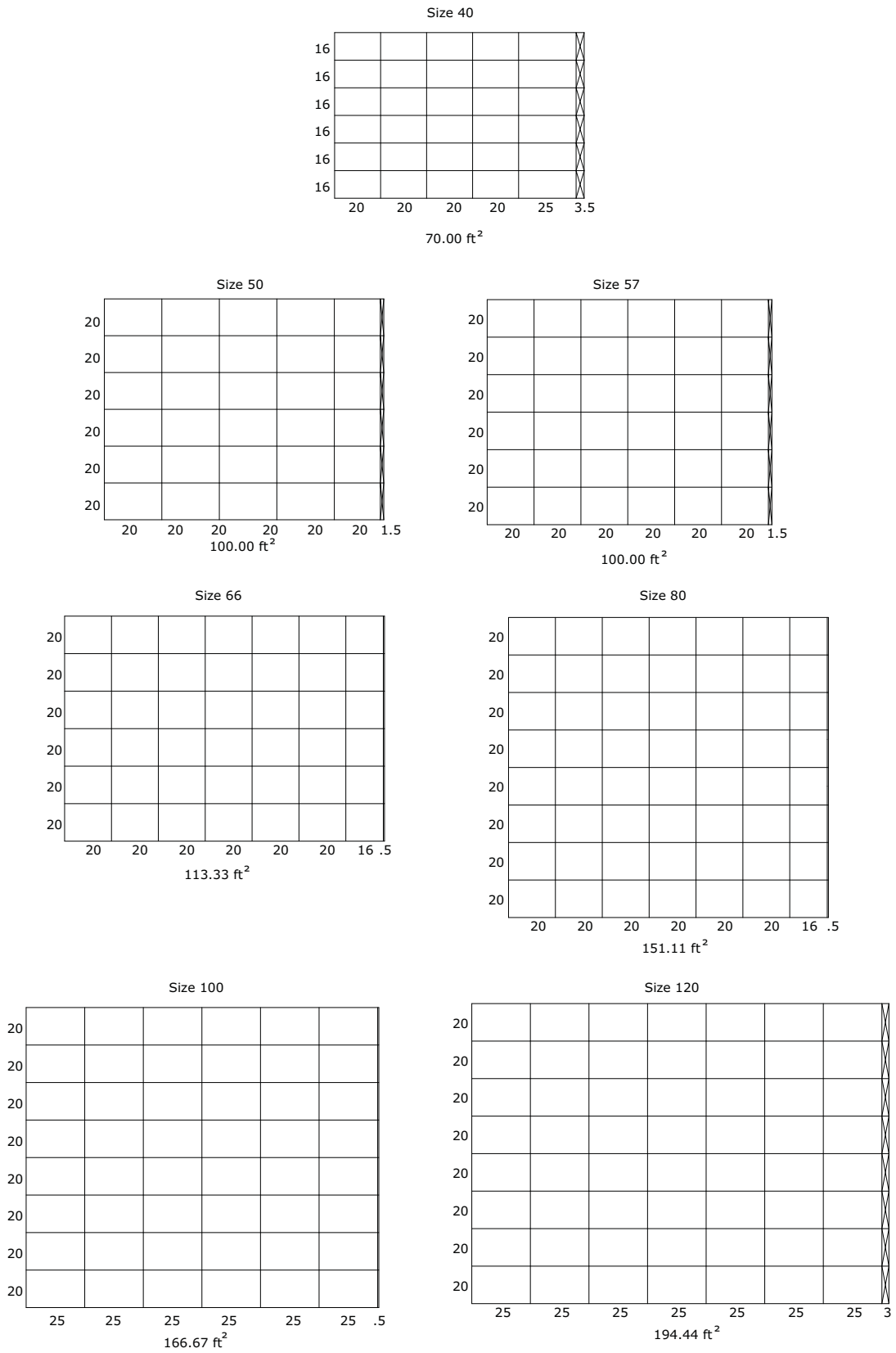


Figure 104. Side-loading long bag filter placement for unit sizes 3-35

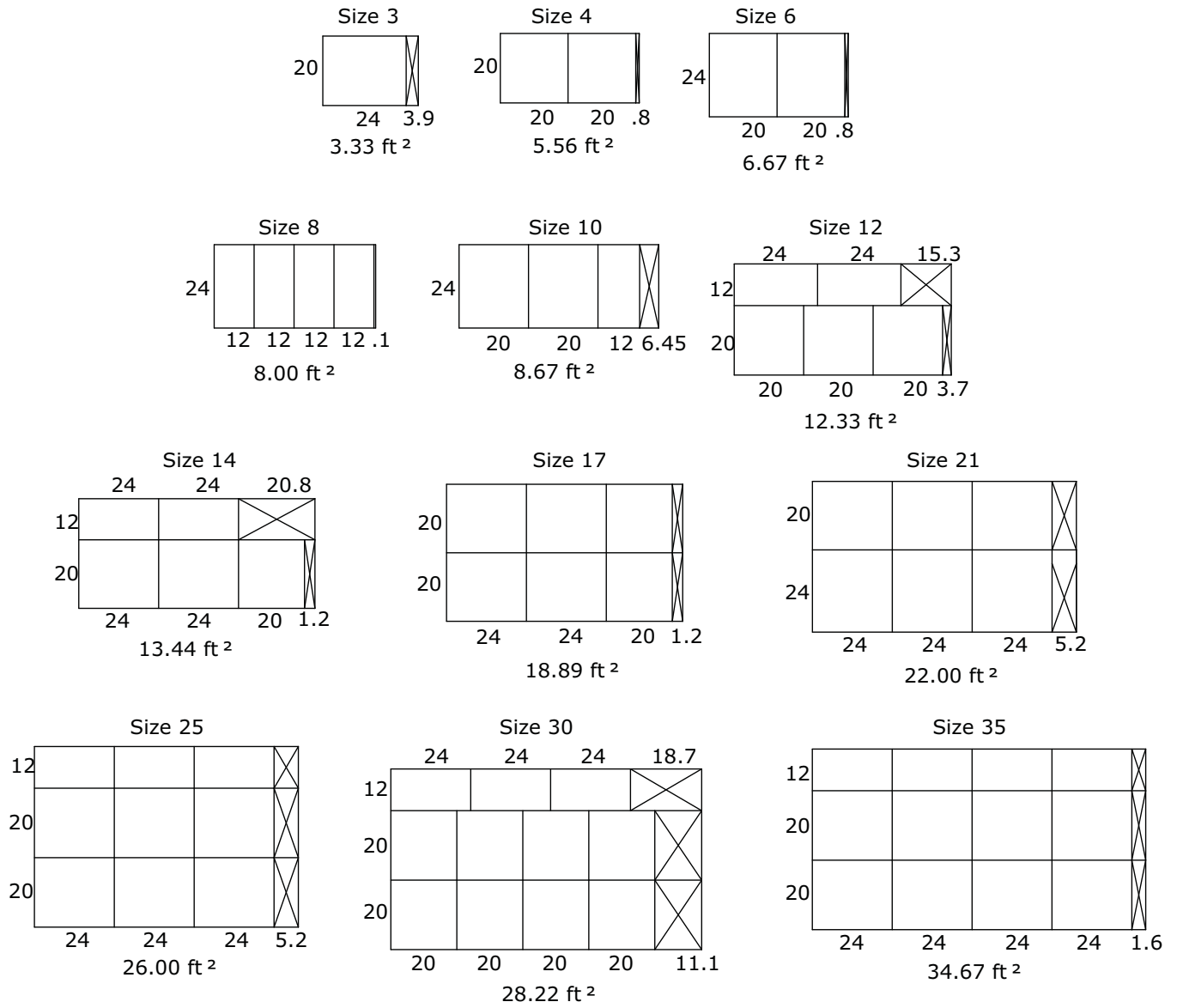


Figure 105. Side-loading long bag filter placement for unit sizes 40-120

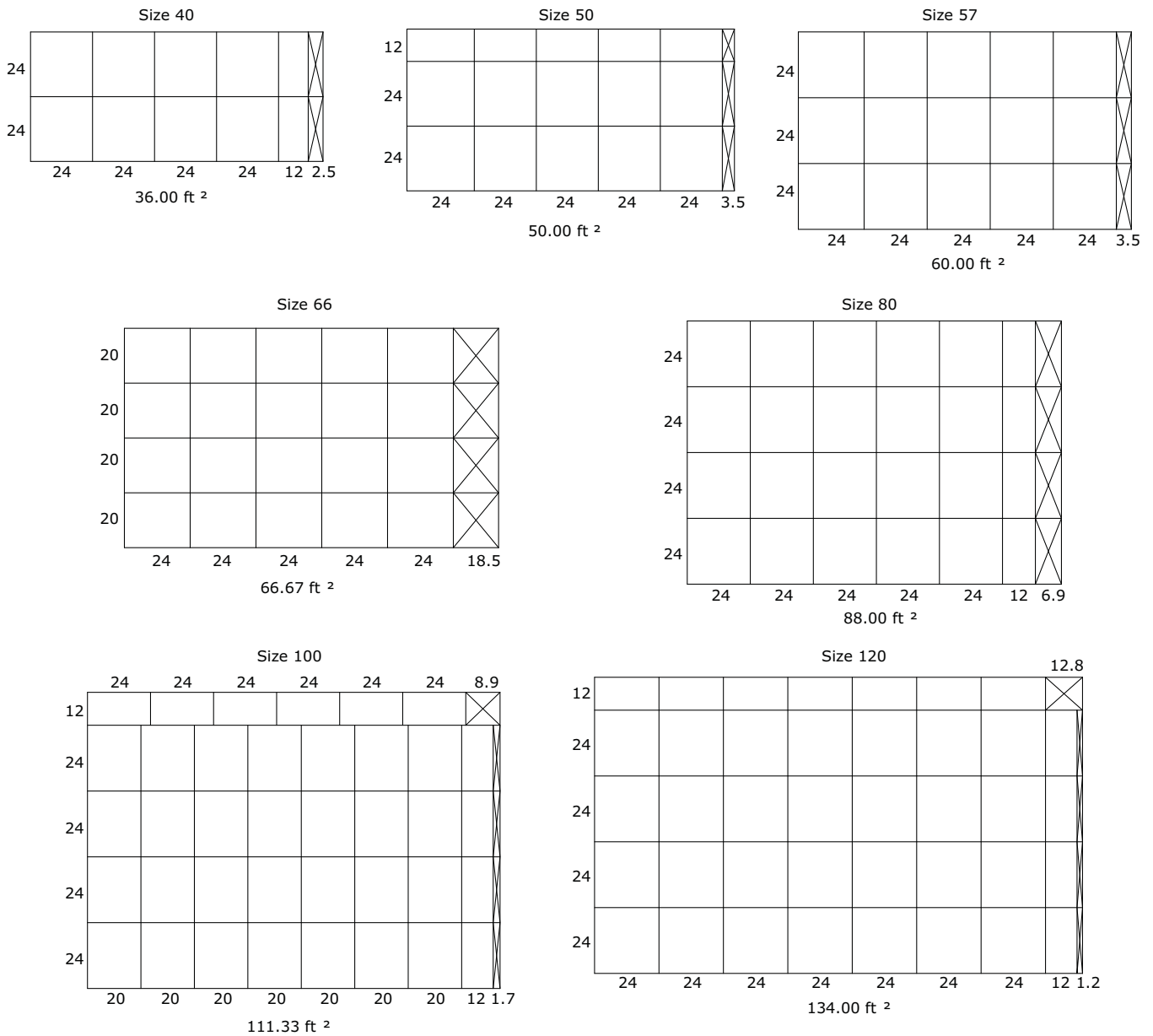
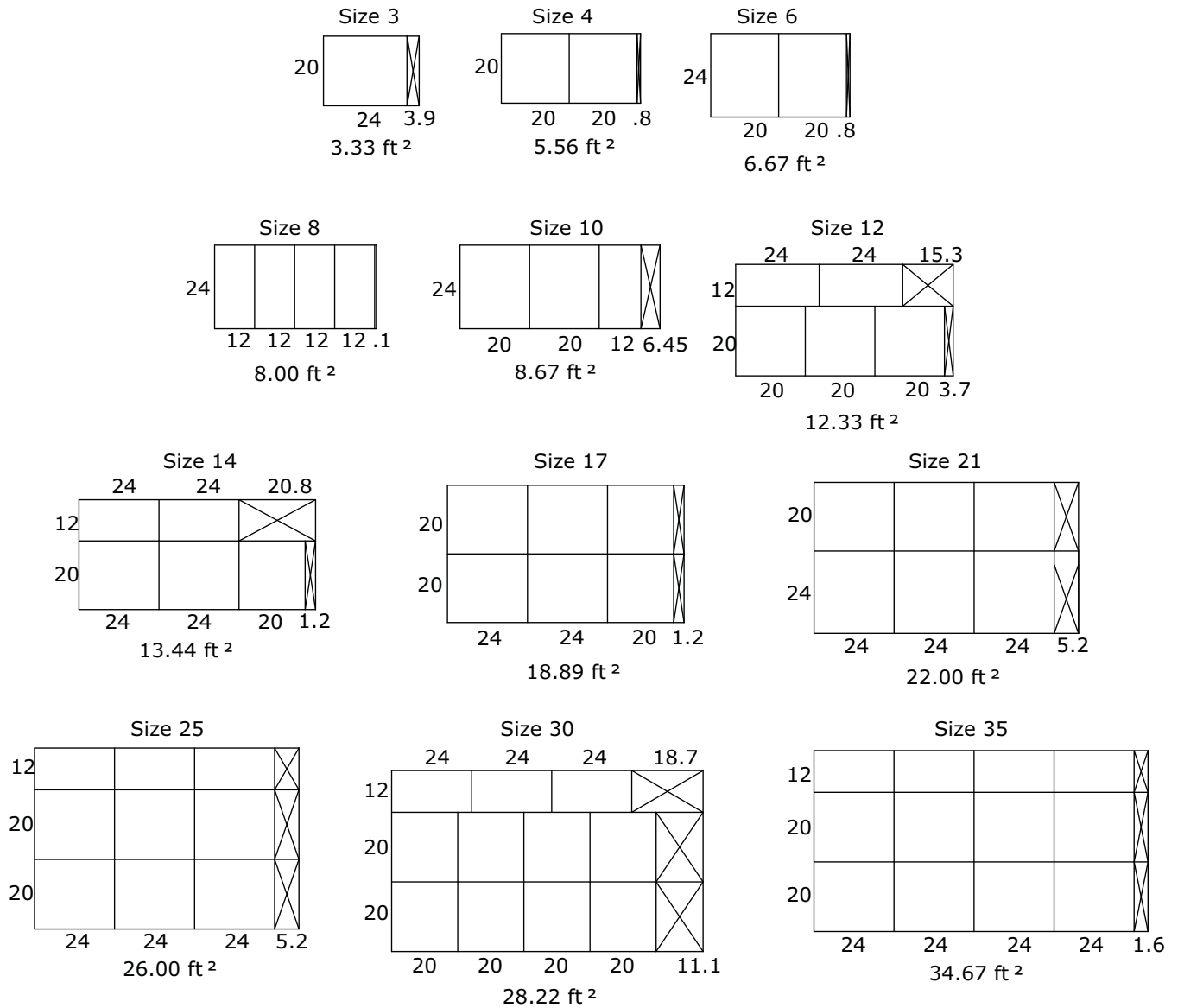


Figure 106. Side-loading short bag filter placement for unit sizes 3-35



Component Installation

Figure 107. Side-loading short bag filter placement for unit sizes 40-120

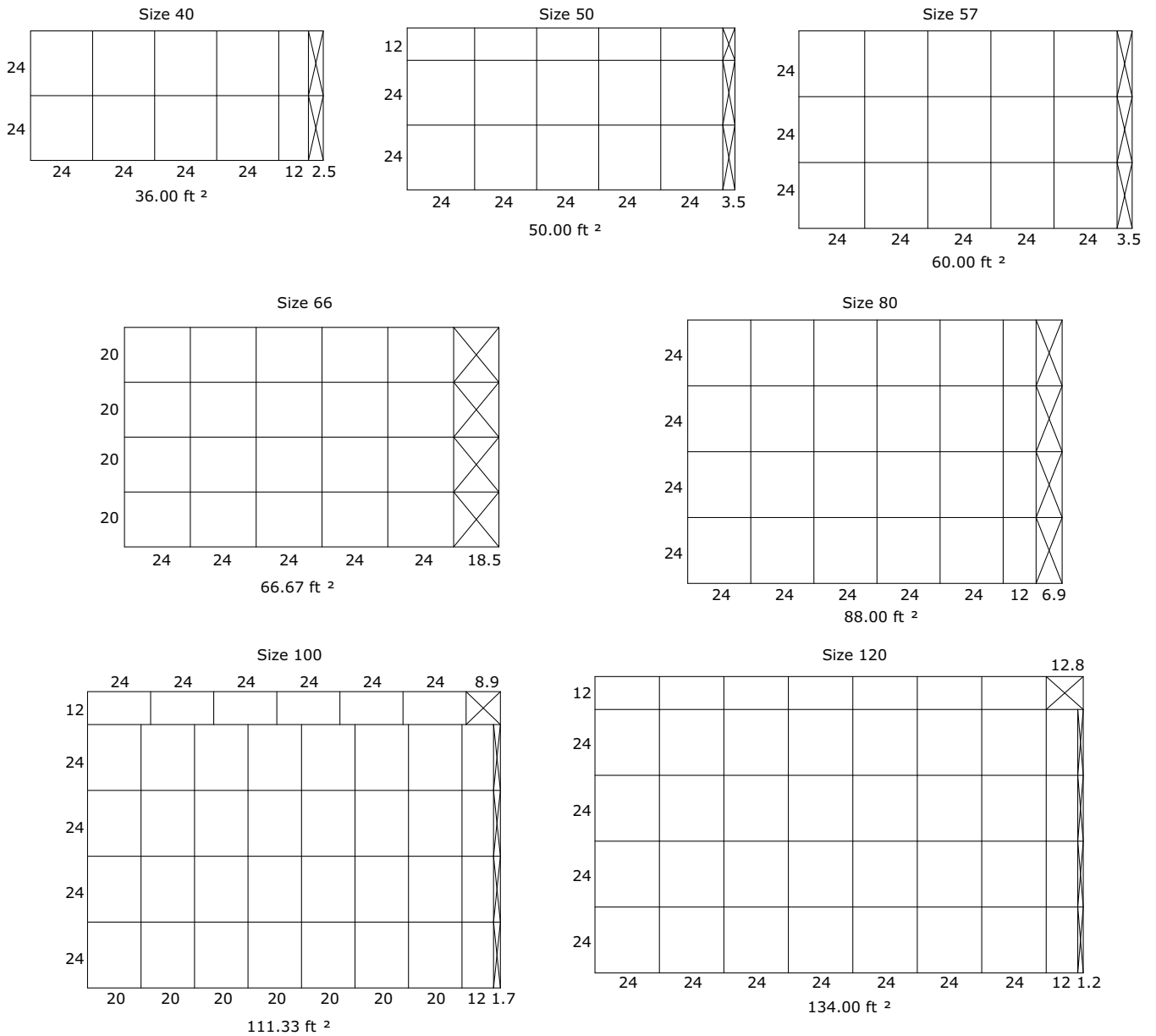
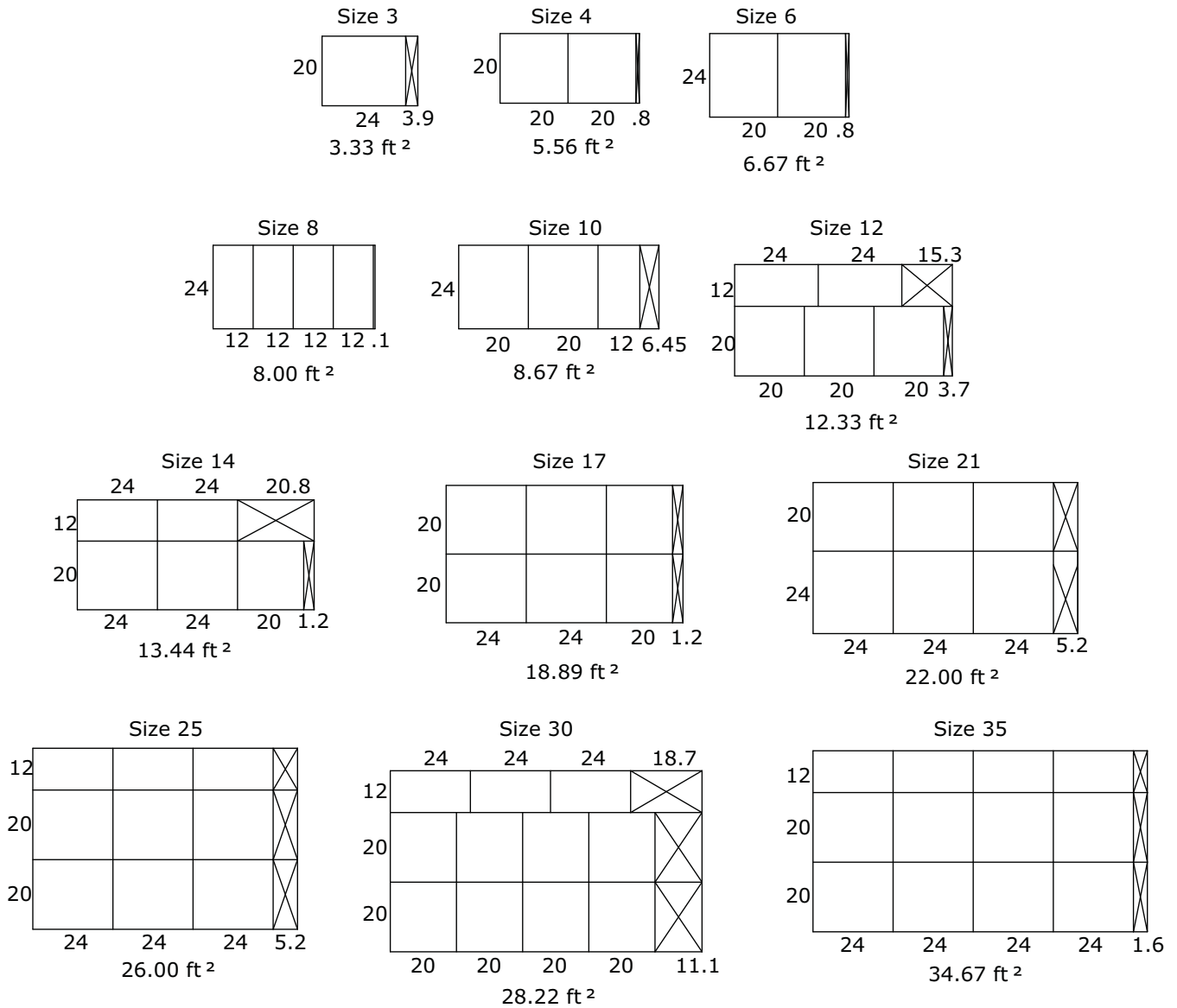


Figure 108. Side-loading cartridge filter placement for unit sizes 3-35



Component Installation

Figure 109. Side-loading cartridge filter placement for unit sizes 40-120

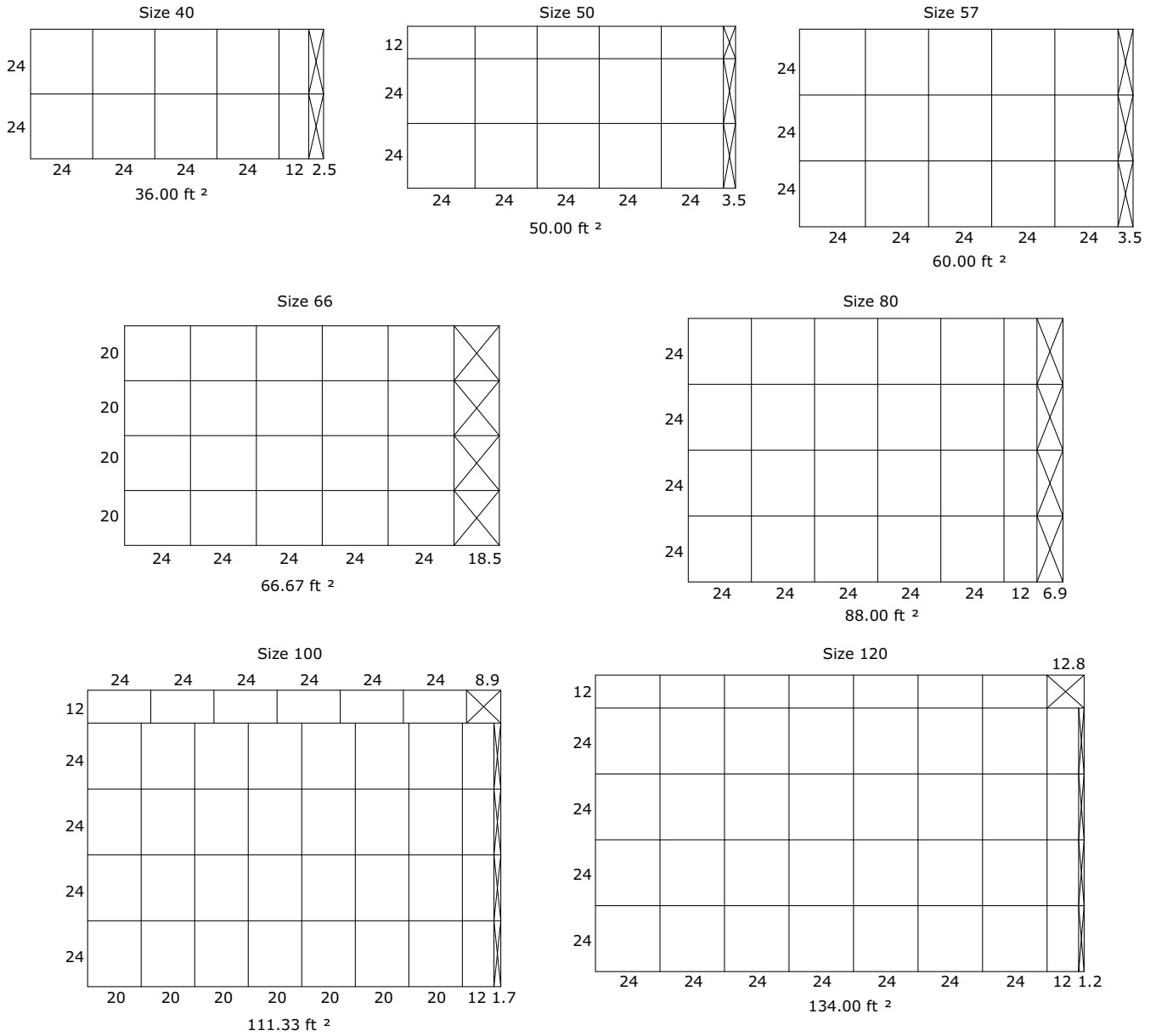
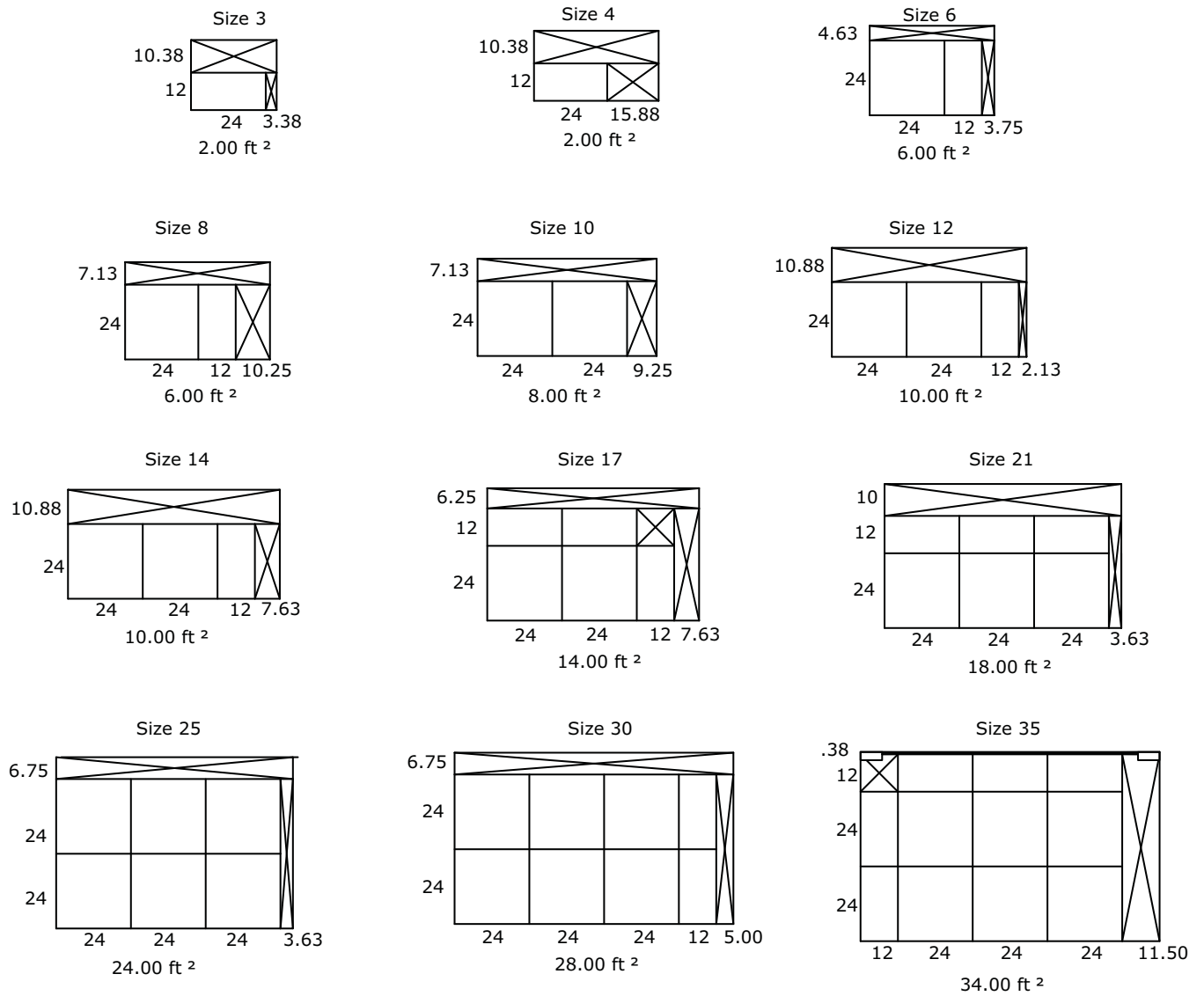


Figure 110. Front-loading 2-inch and 4-inch flat filter placement for unit sizes 3-35



Component Installation

Figure 111. Front-loading 2-inch and 4-inch flat filter placement for unit sizes 40-120

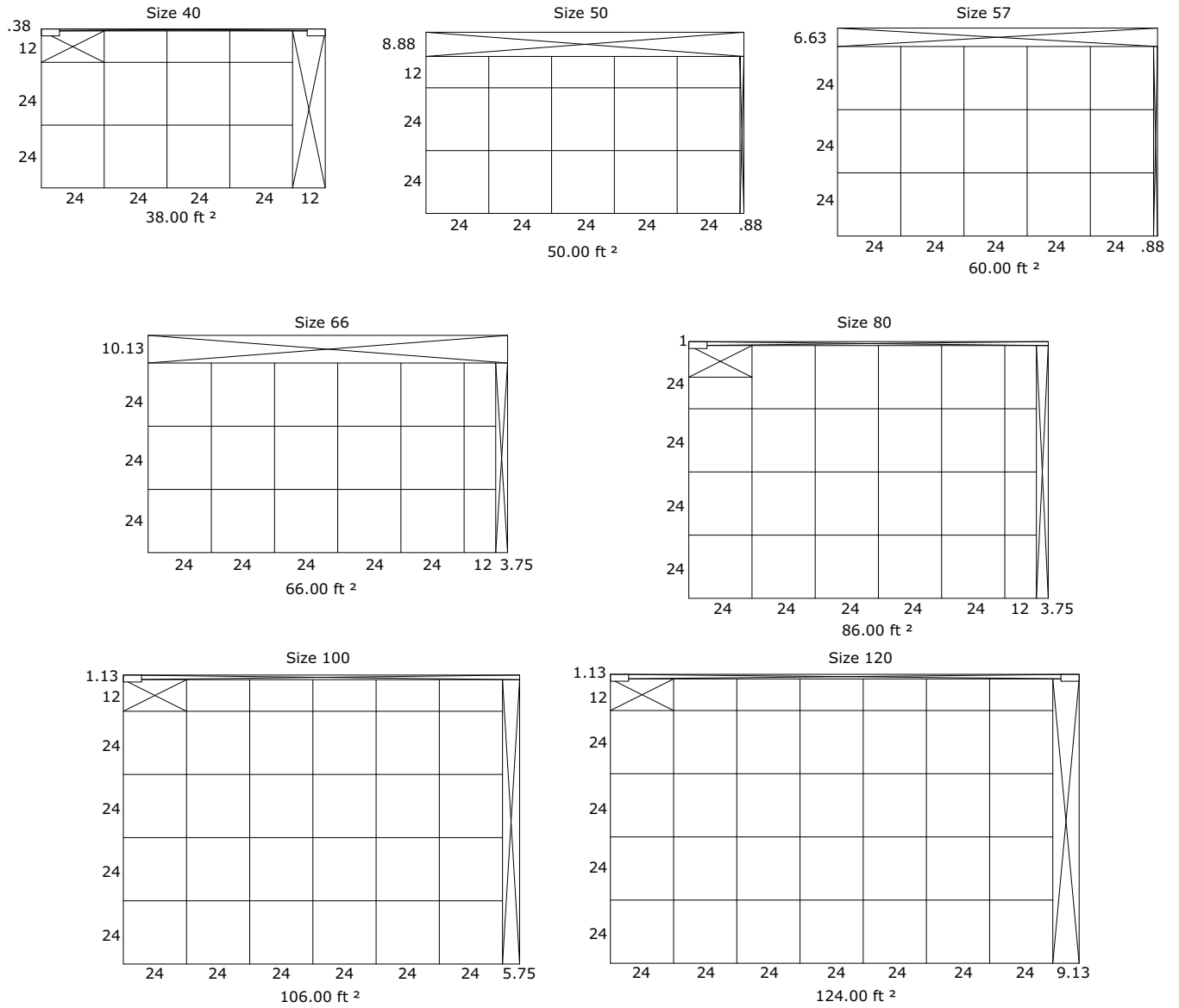
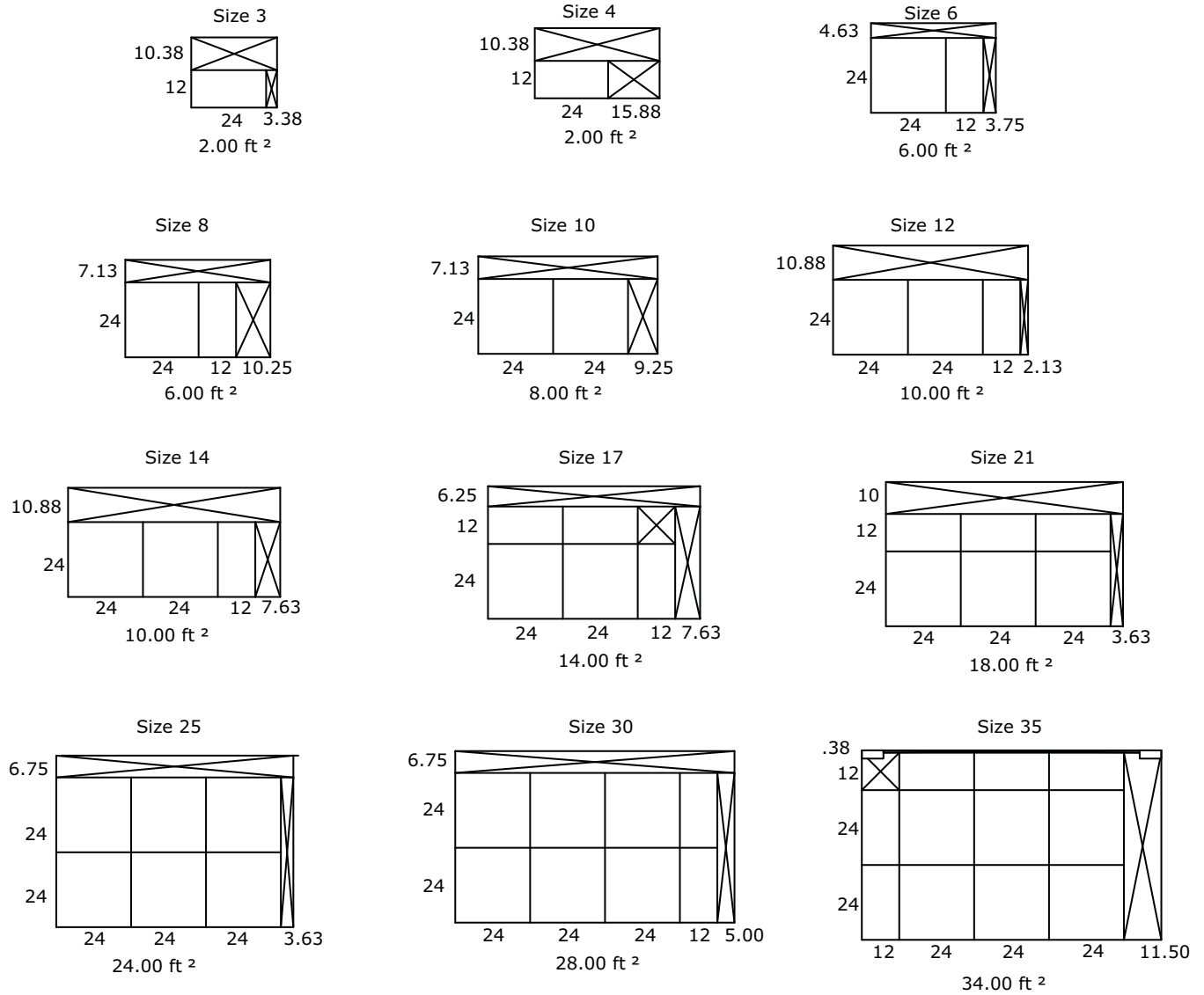


Figure 112. Front-load short bag filter placement for unit sizes 3-35



Component Installation

Figure 113. Front-loading short bag filter placement for unit sizes 40-120

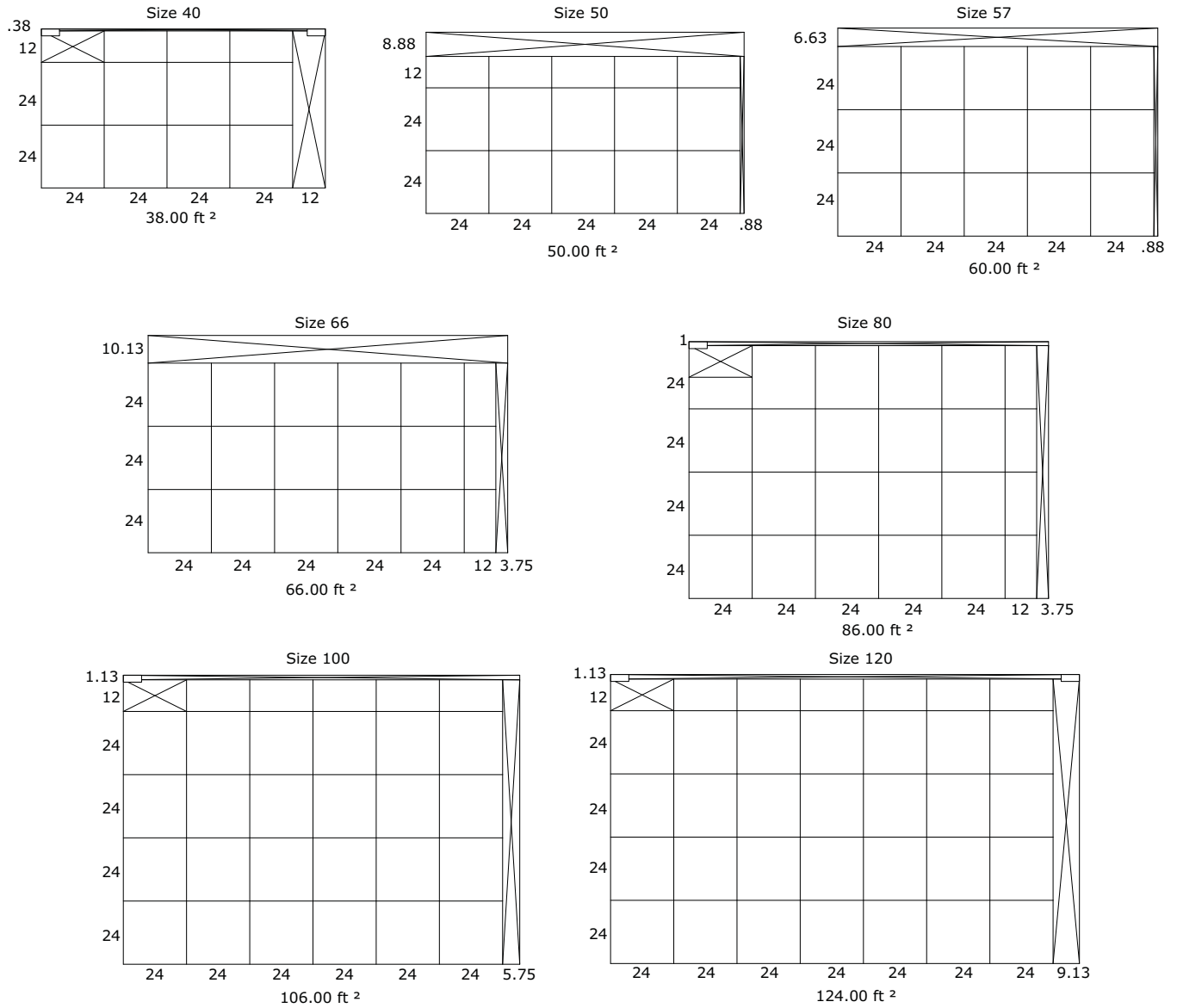
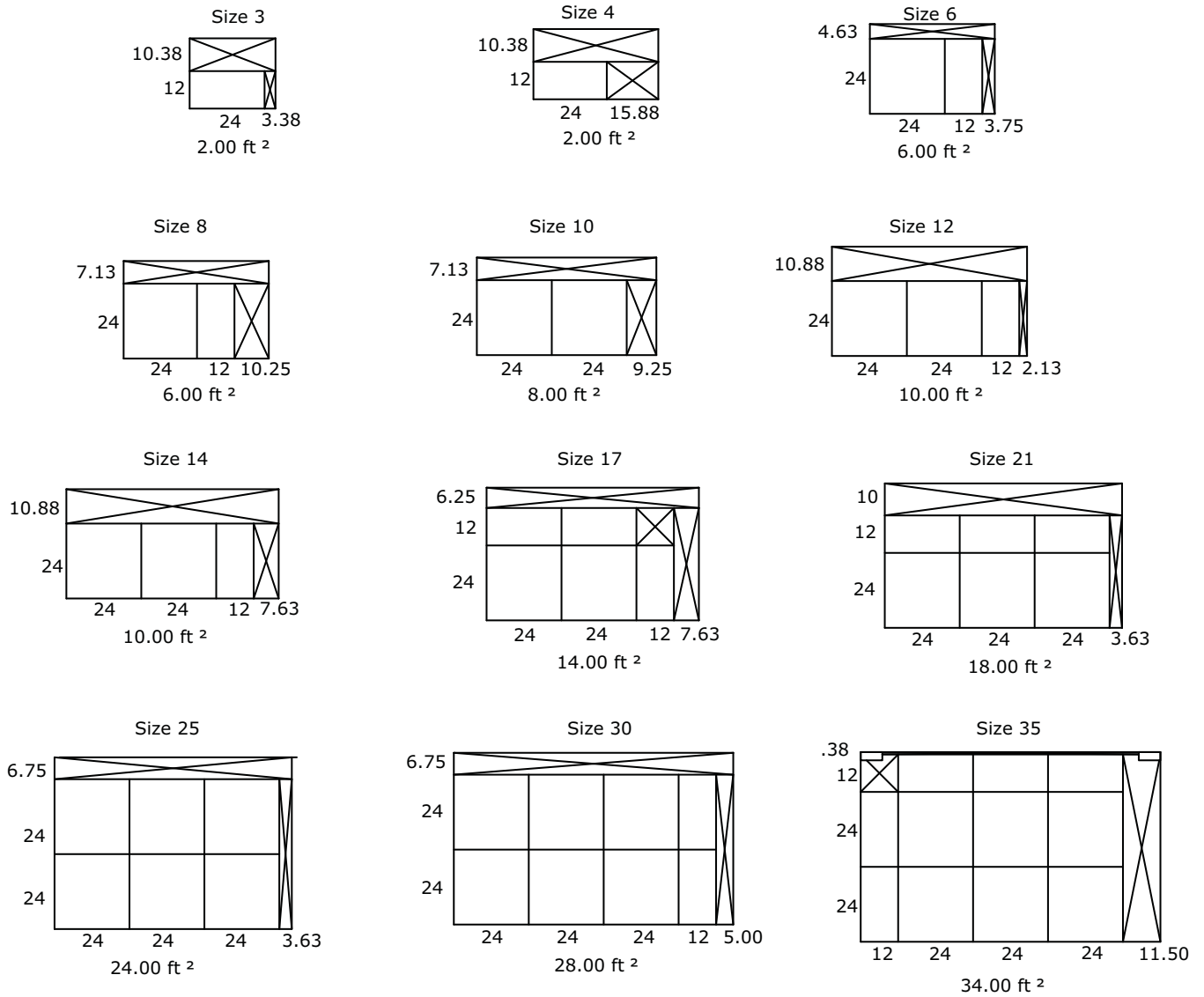


Figure 114. Front-loading cartridge filter placement for unit sizes 3-35



Component Installation

Figure 115. Front-loading cartridge filter placement for unit sizes 40-120

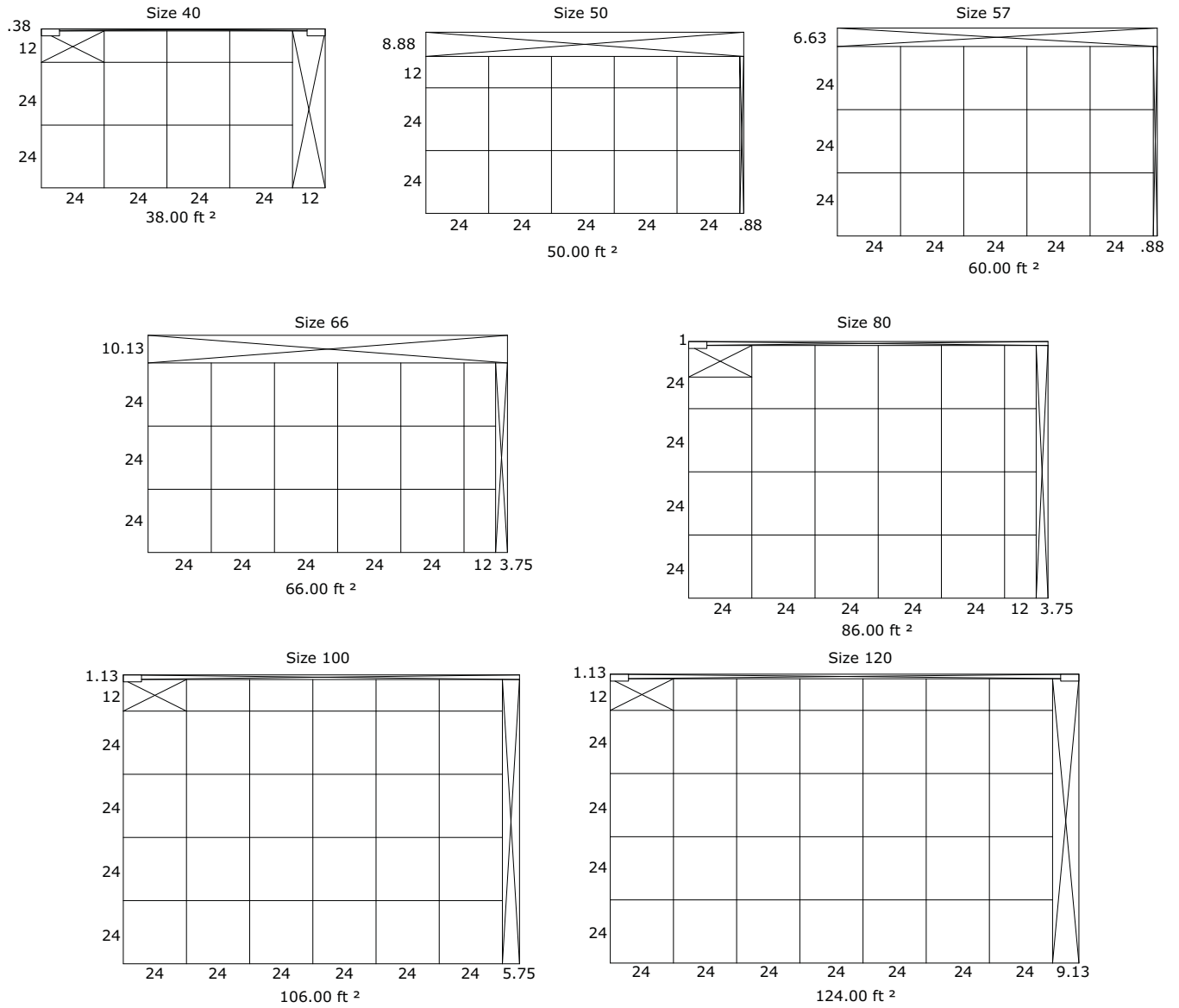
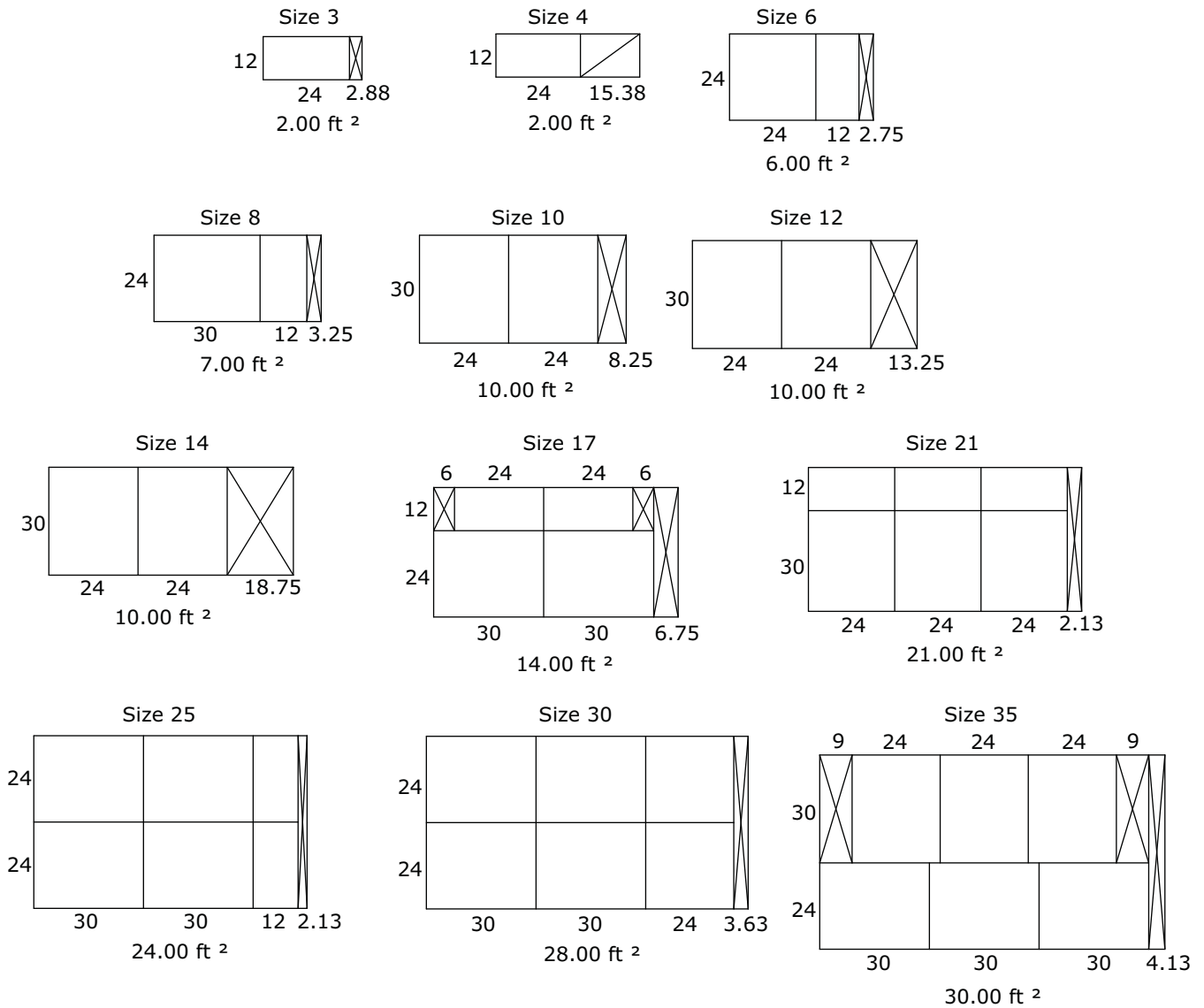
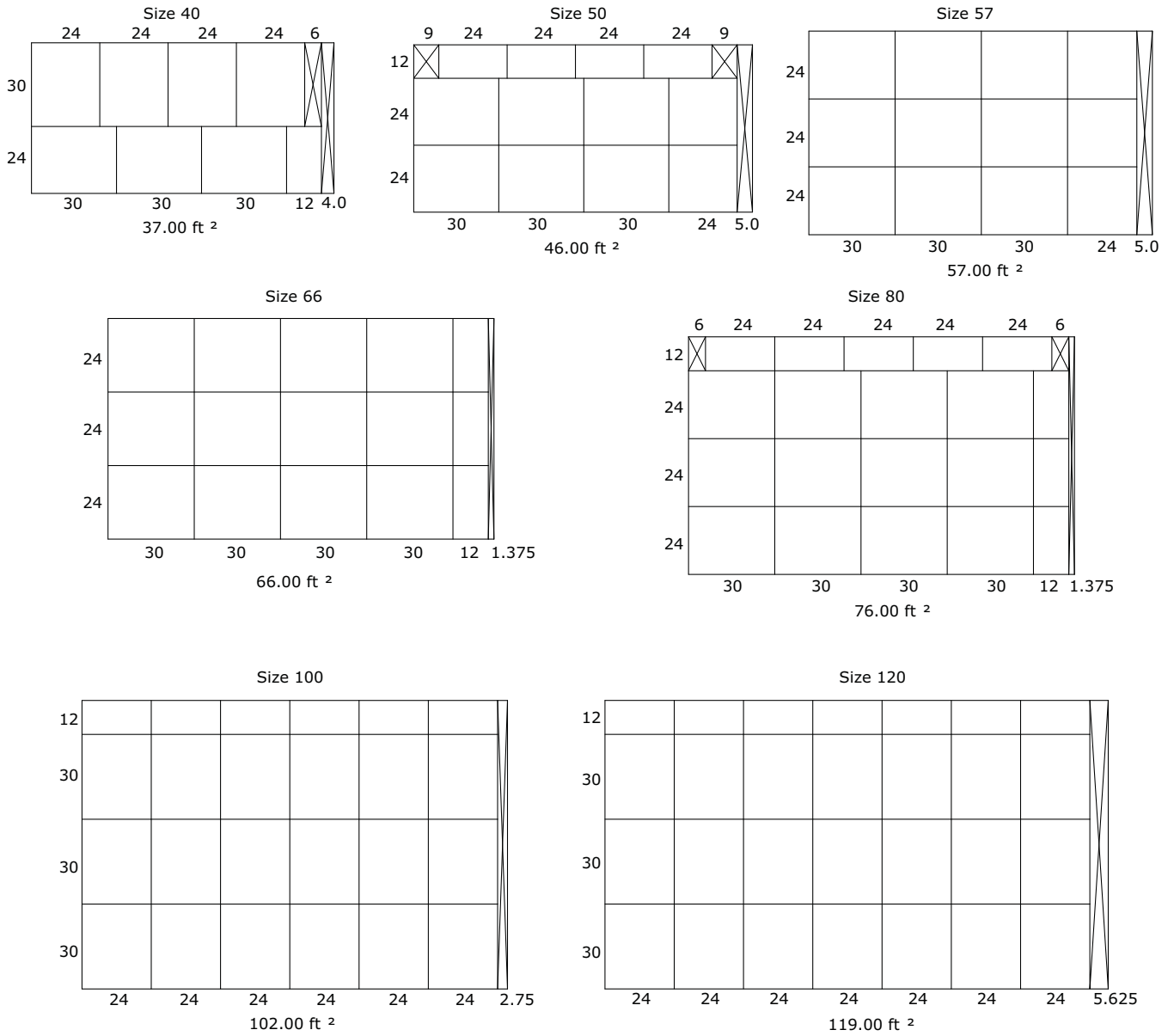


Figure 116. Front-loading HEPA filter placement for unit size 3-35



Component Installation

Figure 117. Front-loading HEPA filter placement for unit sizes 40-120



Multizone Section

Under certain operating conditions, condensation may form on the cold deck portion of the multizone damper section. To prevent this, insulate around the damper rods. Be sure the insulation does not affect damper operation.

Zone Damper Operators

Zone damper operators are available factory-mounted with factory-mounted controls or as a stand-alone end device. If not factory-provided, the contractor is responsible for providing these operators. In all cases, the damper operator should be connected to the drive rod.

Adjusting Zone Dampers

Zone dampers should be installed and adjusted prior to making duct connections, assuring proper setup of the damper zones:

1. Check the damper blades to confirm they are not binding. The blade should rotate 90 degrees.
2. Determine the number of zones required. The zone damper is fitted with a linkage bar that connects all damper zones.
3. Select the number of damper segments required for the first zone.
4. Cut a section out of the damper linkage bar just after the last lever in that zone.

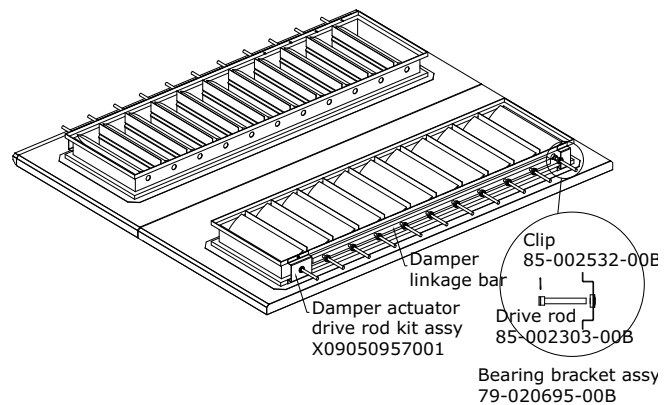
Note: It may be necessary to remove the damper linkage bar to cut it. To remove the linkage bar pry the "e" rings from the blade axles and remove the bar.

5. Repeat steps 3 and 4 for the remaining zones.
6. Attach the damper operator drive rod to one blade axle in each zone of each damper.
7. Use the self-drilling screws provided to mount the bearing bracket assembly.

Note: The drive rod kits ship in a separate box, found in the fan module or the cold deck of the multizone module.

Actuator quick connects: For multizones with actuators, connect actuator wiring quick connects located in raceway boxes and attach conduit to unit with supplied conduit clamps.

Figure 118. Setting damper rods and damper linkage



Duct Connections

All duct connections to the air handlers should be installed in accordance with the standards of the National Fire Protection Association (NFPA):

- NFPA 90A for installing air conditioning and ventilating systems other than residence type.
- NFPA 90B for residence-type warm air heating and air-conditioning systems.

See unit submittal documentation for additional duct mounting information.

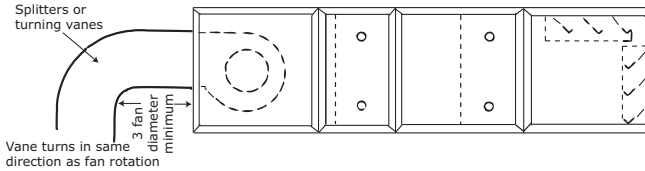
Fan Discharge Connections

To ensure the highest fan efficiency, duct turns and transitions must be made carefully, minimizing air friction losses and turbulence. Proper ductwork installation, as outlined by such organizations as Sheet Metal and Air Conditioning Contractors National Association, Inc. (SMACNA), should be followed closely.

Indoor unit fan sections with rectangular or round openings should have flanged ductwork attached to bottom panel opening. When using lined ducts, the insulation should not obstruct the discharge opening. For plenum fan sections with bell mouth fittings, see "[Bell Mouth Discharge Connections](#)," p. 98.

Connections made directly to the discharge opening of a housed fan should have a minimum of three fan diameters of straight duct before any turns or transitions. The ductwork should be the same size as the fan discharge opening. The first turn of the connection should be in the same direction as the fan rotation as shown in [Figure 119](#). The air that the fan discharges into the duct is extremely turbulent and requires some length of duct to stabilize. Abrupt changes in ductwork directly off the fan discharge may adversely affect fan performance and acoustics.

Figure 119. Typical discharge ductwork recommendations



Damper Connections

Standard damper sections include mixing sections, filter mixing sections, face damper sections, internal face-and-bypass sections, and economizer sections. There are two damper blade configurations available - parallel-blade and opposed-blade. Traq™ dampers are another type of damper available in mixing box sections.

Ductwork attached to the standard damper sections should be sized to fit the opening of the damper. Duct opening dimensions are provided in the submittals. When using lined duct, ensure that the insulation does not obstruct the damper opening (see [Figure 120](#) and [Figure 121](#)).

Note: Damper blades should be checked for proper operation from full-open to full-closed position before unit start up. Damper blade positioning may have changed due to shipping and handling vibrations.

Figure 120. Typical duct flat/flange connection - uninsulated or externally insulated

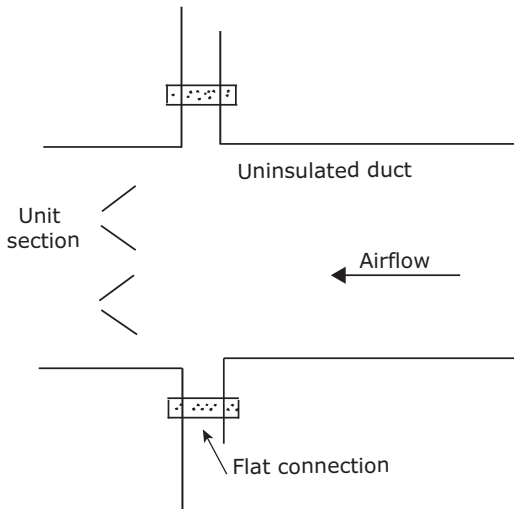
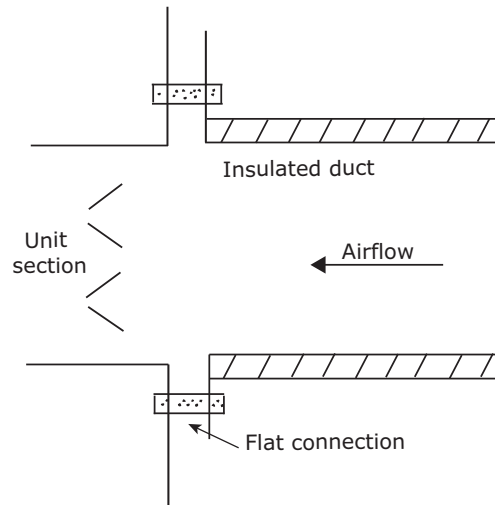


Figure 121. Typical section with duct flat/flange connection- internally insulated



Bottom Opening Duct Installation

1. Install gasket to duct flange to ensure air tight seal.
2. Install duct into place underneath framed opening in unit base per [Figure 122](#). Refer to factory curb layout provided with unit submittals for duct size and location.
3. Bottom of unit base elevation is flush with duct opening in bottom of unit (see [Figure 123](#) and [Figure 124](#)).

Figure 122. Field-supplied duct connection to AHU bottom supply/return air opening

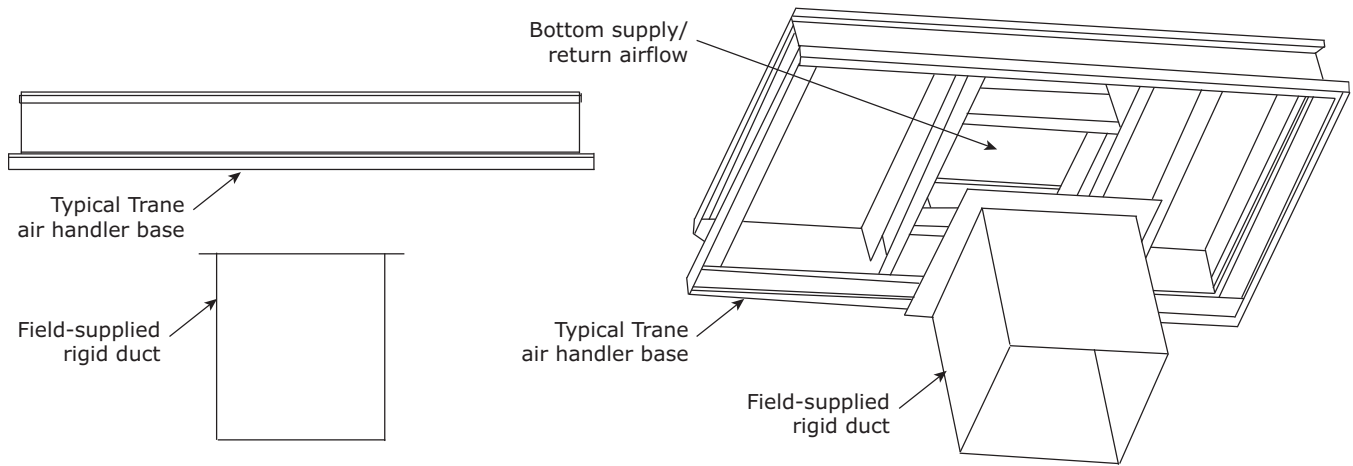


Figure 123. Field-supplied duct connection details - curb mount for outdoor units

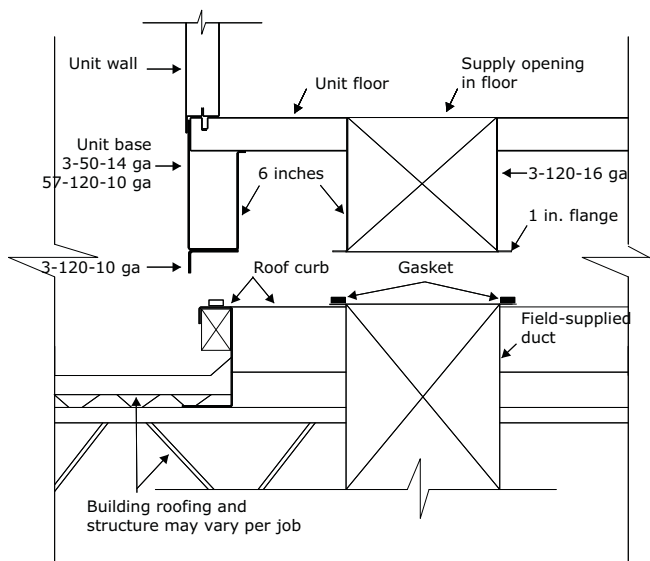
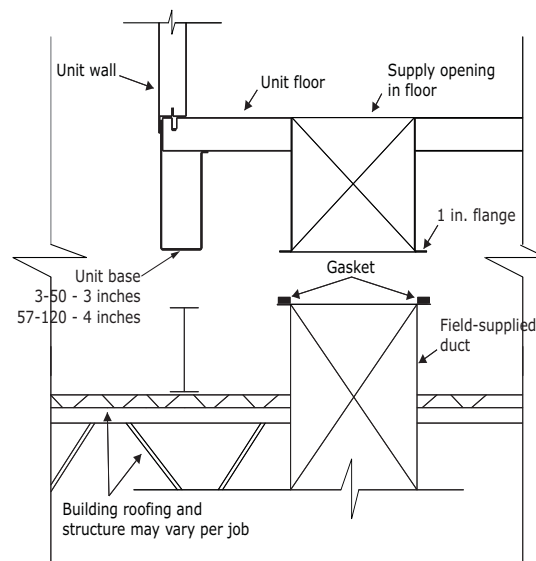


Figure 124. Field-supplied duct connection details - pier mount for outdoor units



Discharge Plenum Connections

Discharge plenum sections are available with or without openings. Sections with rectangular and round openings have a framed opening that can be used to secure the duct to the frames. If the duct is lined, it is important the insulation does not obstruct the opening of the section.

For a discharge plenum with field-cut openings, attach the duct to the side panel.

Bell Mouth Discharge Connections

Round duct connections to be fastened to plenum fan and discharge plenum sections with bell mouth discharge openings should be sized to attach to the casing or directly to the bell mouth fitting. Attachment to the casing requires the round duct diameter to be sized two inches larger than the nominal bell mouth outlet. An angle ring with a flat flange should be affixed to the round duct to secure the duct to the casing (see Figure 125). Attachment to the bell mouth fitting requires the duct and fitting to be insulated by the installing contractor up to the bell mouth radius to prevent condensation (see Figure 126). The bell mouth fitting extends through the casing by one inch.

Figure 125. Securing round duct to casing over bell mouth outlet

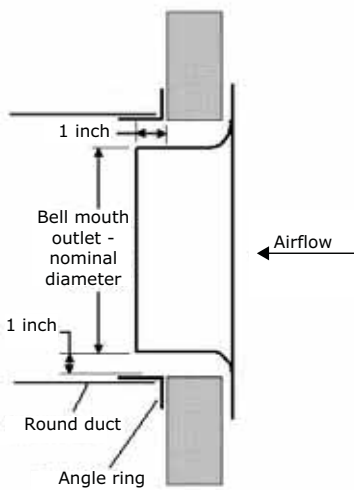
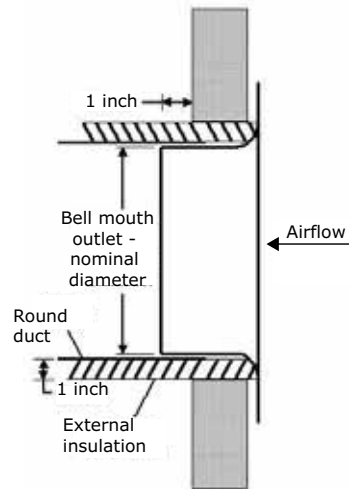


Figure 126. Securing round duct to bell mouth outlet

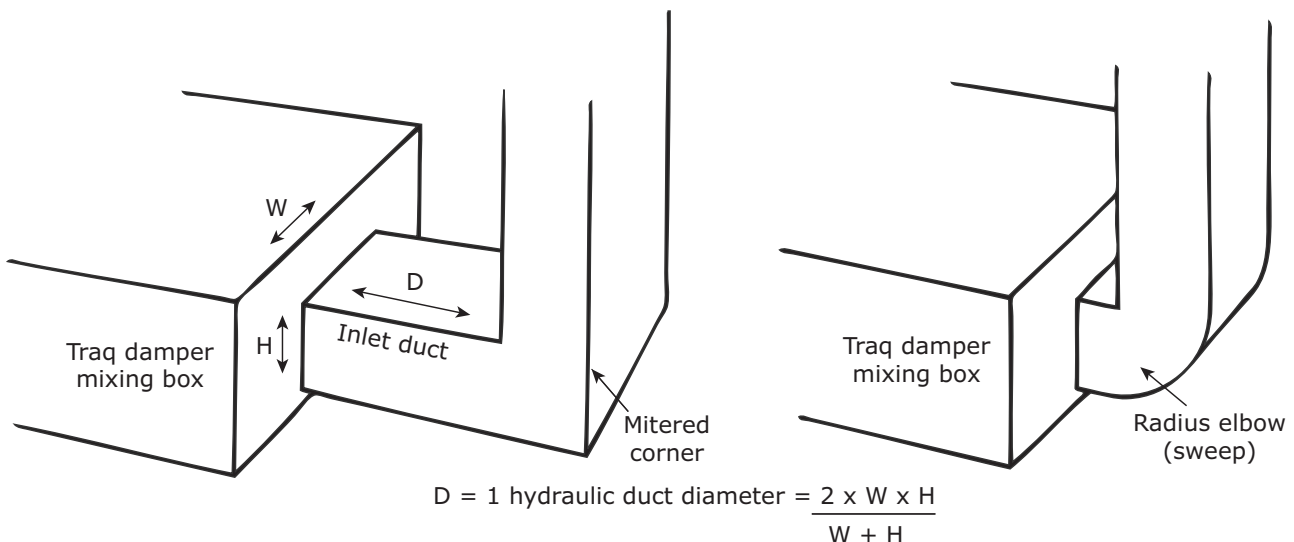


Traq Damper Connections

Size the duct connections to attach to the specified portion on the face of the mixing box that the duct connection completely covers all of the Traq damper.

For a mitered corner, provide one hydraulic duct diameter between the entering face of the Traq dampers and the duct turn. For a radius elbow, or sweep, place the elbow directly against the face of the Traq dampers (see Figure 127).

Figure 127. Traq damper duct connections



External Face-and-Bypass Connections

The external face-and-bypass damper sections will require a field-fabricated duct to direct the bypass air into the appropriate section. Duct sizing recommendations are listed in [Table 34](#).

Table 34. Recommended bypass duct sizes (inches)

Unit size	H	W	L
3	16.00	20.00	14.00
4	18.00	33.00	16.00
6	18.00	33.00	16.00
8	18.00	39.00	16.00
10	18.00	50.00	16.00
12	22.00	55.00	20.00
14	22.00	61.00	20.00
17	22.00	61.00	20.00
21	28.00	69.00	26.00
25	28.00	69.00	26.00
30	28.00	82.00	26.00
35	45.00	80.00	36.00
40	45.00	93.00	36.00
50	45.00	106.00	36.00
57	47.00	106.00	40.00
66	48.00	121.00	40.00
80	56.00	121.00	48.00
100	56.00	135.00	48.00
120	56.00	162.00	48.00

When attaching a bypass duct to a downstream fan section or access section, the section will have a factory-provided opening. (see [Figure 128](#), [Figure 129](#), and [Figure 130](#).)

When bypassing into an access section, remove a panel. It is not necessary to cut an opening.

Figure 128. External face-and-bypass with duct configuration designed to bypass air into a vertical fan section

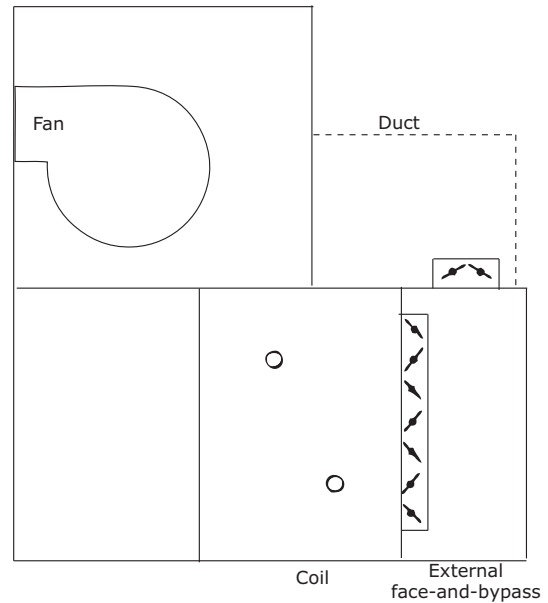
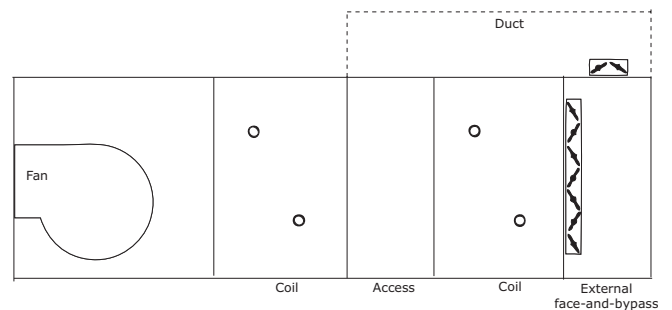
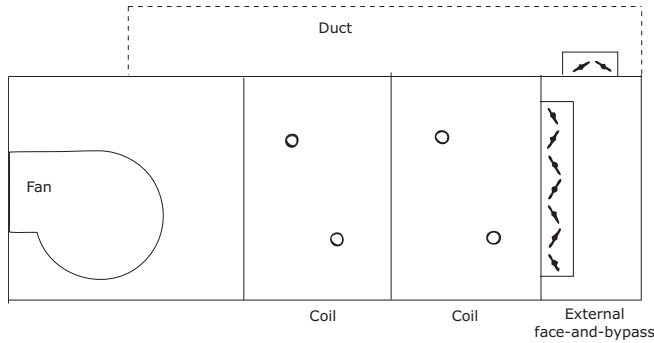


Figure 129. External face-and-bypass with duct configuration designed to bypass air around one coil



Component Installation

Figure 130. External face-and-bypass with duct configuration designed to bypass air into a horizontal fan section



Other Connections

Access, filter, and other sections may have open inlets with a 2-inch (sizes 3-120) panel frame for connecting the ductwork. If the duct is lined, it is important the insulation does not obstruct the opening of the section.

Important: If unit has a duct heater on a fan discharge there is a minimum clearance from combustible materials 1" for first four feet of duct.

Figure 132. Typical duct flat/flange end-of-unit (EOU) connection - insulated

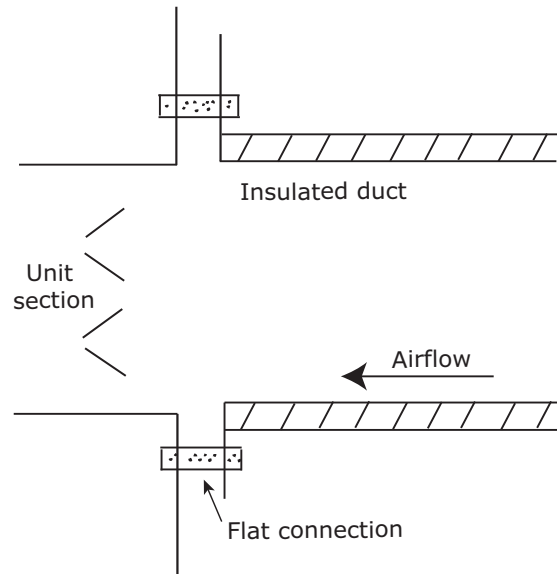
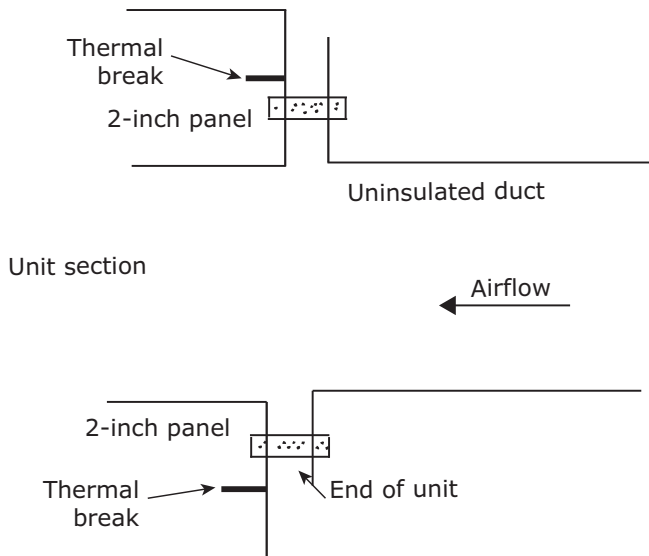


Figure 131. Typical duct flat/flange end-of-unit (EOU) connection - uninsulated





Piping and Connections

NOTICE

Connection Leaks!

Do not use brass connectors because they distort easily and could cause connection leaks. Use a backup wrench when attaching piping to coils with copper headers to prevent damage to the coil header.

NOTICE

Over Tightening!

Failure to follow instructions could cause damage to coil header. Do not use Teflon-based products for any field connections because their high lubricity could allow connections to be over-tightened, resulting in damage.

NOTICE

Leakage!

Failure to seal penetrations from inner panel to outer panel could result in unconditioned air entering the module, and water infiltrating the insulation, resulting in equipment damage. Properly seal all penetrations in unit casing.

General Recommendations

Proper installation, piping, and trapping is necessary to ensure satisfactory coil operation and to prevent operational damage:

- Support all piping independently of the coils.
- Provide swing joints or flexible fittings on all connections that are adjacent to heating coils to absorb thermal expansion and contraction strains.
- If the coil was ordered with factory-mounted controls, install the control valves. The valves ship separately.

Note: The contractor is responsible for supplying the installation hardware.

- For best results, use a short pipe nipple on the coil headers prior to making any welded flange or welded elbow type connections.
- Extended drain and vent connections are provided as standard on D1 and D2 coils only. If extended drains and vents are required on other water coils, they must be field-installed or ordered as specials from the factory.

Note: Drain and vent connections are optional for standard coils. Penetrations will not be in the panel; a pilot hole will be factory-provided if drain and vent connections are indicated.

- Pipe coils counterflow to airflow.
- When attaching the piping to the coil header, make the connection only tight enough to prevent leaks.

Note: Do not exceed 200 foot-pounds of torque on supply and return connections. Do not exceed 25 foot-pounds of torque on drain and vent connections.

- Use pipe sealer on all thread connections.
- After completing the piping connections, seal around pipe from inner panel to outer panel.

Piping for Staggered Coils

- Staggered coils will not come from the factory installed with any piping, similar to regular coil sections. Because the air leaving coil is offset from the exterior unit wall, piping will need to be installed inside the unit to reach the header. Header penetration holes will be provided in all walls required. Depending on the submittal, the same applies to extended drain and vent.
- Any piping installed inside the unit needs to be insulated to prevent condensation carryover. These pipes will be in conditioned air space and very prone to condensation. This will not be supplied by the factory and will need to be done by the contractor.
- As the unit is installed, be sure access is considered for installing any internal piping during the sequence of events. It may be beneficial to install internal piping before attaching build sections together."

Drain Pan Trapping

⚠ WARNING

No Step Surface!

Failure to follow these instructions could result in death or serious injury. Do not walk on the sheet metal drain pan. Walking on the drain pan could cause the supporting metal to collapse, resulting in the operator/technician to fall.

NOTICE

Water Damage!

Connecting all drains to a common line with only one trap can result in condensate retention and possible water damage to the air handler or adjoining space. When more than one section has a drain pan, trap each section individually.

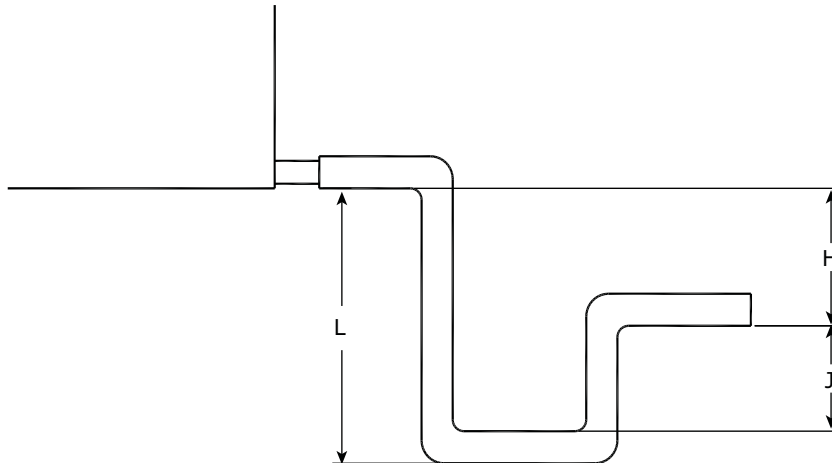
Threaded condensate drain connections are provided on only one side of the coil section. Pitch the connection lines horizontal or downward toward an open drain. Trane

Piping and Connections

recommends installing a plug to facilitate cleaning of the trap. The drain connection sizes are:

Unit size	NPT (national pipe thread) external connection
3-30	1-inch
35-57	1 1/4 inch
66-120	1 1/2 inch

Table 35. Drain pan trapping for negative and positive pressure applications



Negative pressure

Drain pan trapping for section under negative pressure

$L = H + J + \text{pipe diameter}$ where:
 $H = 1 \text{ inch for each inch of negative pressure plus } 1 \text{ inch}$
 $J = 1/2 H$

Positive pressure

Drain pan trapping for section under positive pressure

$L = H + J + \text{pipe diameter}$ where:
 $H = 1/2 \text{ inch (minimum)}$
 $J = 1/2 \text{ inch plus the unit positive static pressure at coil discharge (loaded filters)}$

Steam Coil Piping

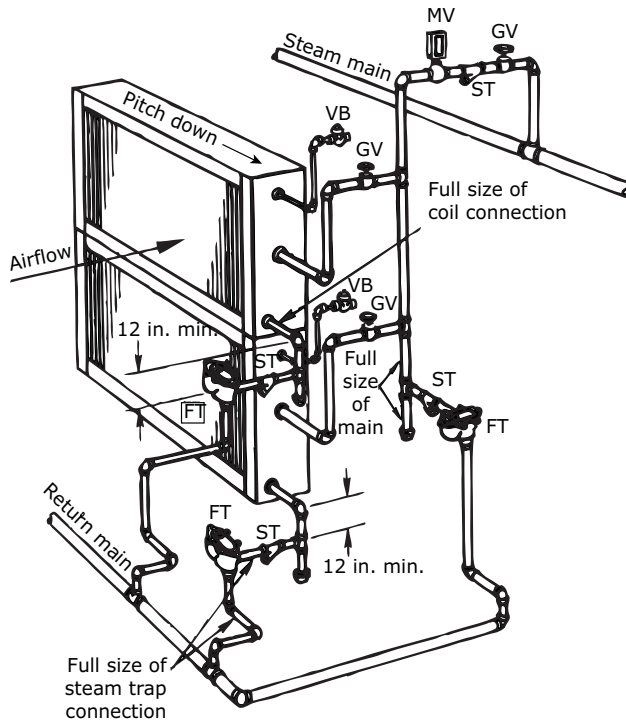
Air handlers fitted with steam coils have labeled holes for piping penetrations. Figure 133 illustrates a typical steam coil piping configuration. See Table 36 for the codes of system components in these figures.

The coil condensate return line must be piped full size of the condensate trap connection, except for a short nipple screwed directly into the coil header's condensate return tapping. Do not bush or reduce the coil return trapping size.

Table 36. Code of system components for piping figures

Code	System component
FT	Float and thermostatic steam trap
GV	Gate valve
OV	Automatic two-position (ON-OFF) control valve
VB	Vacuum breaker
ST	Strainer
AV	Automatic or manual air vent
MV	Modulating control valve

Figure 133. Typical piping for Type NS steam coils and horizontal tubes for horizontal airflow



- Vent the vacuum breaker line to atmosphere or connect it into the return main at the discharge side of the steam trap

Note: Vacuum breaker relief is mandatory when the coil is controlled by a modulating steam supply or automatic two position (ON-OFF) steam supply valve. Vacuum breaker relief is also recommended when face-and-bypass control is used.

NOTICE

Coil Condensate!

Failure to follow these instructions could result in equipment damage. Condensate must flow freely from the coil at all times to prevent coil damage from water hammer, unequal thermal stresses, freeze-up and/or corrosion. In all steam coil installations, the condensate return connections must be at the low point of the coil.

Proper steam trap installation is necessary for satisfactory coil performance and service life. For steam trap installation:

1. Install the steam trap discharge 12 inches below the condensate return connection. Twelve inches provides sufficient hydrostatic head pressure to overcome trap losses and ensures complete condensate removal.
 - a. Use float and thermostatic traps with atmospheric pressure gravity condensate return, with automatic controls, or where the possibility of low-pressure supply steam exists. (Float and thermostatic traps are recommended because of gravity drain and continuous discharge operation.)
 - b. Use bucket traps only when the supply steam is not modulated and is 25 psig or higher.

Note: Trane steam coils require a minimum of 2 psi of pressure to assure even heat distribution.

2. Trap each coil separately to prevent holding up condensate in one or more of the coils.
3. Install strainers as close as possible to the inlet side of the trap.
4. If installing coils in series airflow, control each coil bank independently with an automatic steam-control valve. Size the traps for each coil using the capacity of the first coil in direction of airflow.
5. Use a modulating valve that has linear flow characteristics to obtain gradual modulation of the coil steam supply.

Note: Do not modulate systems with overhead or pressurized returns unless the condensate is drained by gravity into a receiver, vented to atmosphere, and returned to the condensate pump.

6. Pitch all supply and return steam piping down 1 inch for every 10 feet in the direction of the steam or condensate flow.

NOTICE

Breaker Cracking Pressure!

Failure to follow these instructions could result in equipment damage. The 1/2-inch NPT, 15 degree swing check valve vacuum breaker is recommended because other vacuum breakers, such as spring-loaded ball-check breakers, have cracking pressures as high as 1.25 inches Hg (17 inches of water). Vacuum breakers with fitting sizes smaller than 1/2 inch NPT are too small to relieve vacuum quick enough to ensure complete condensate drainage. Other types of swing check valve vacuum breakers are acceptable if the fittings size is not smaller than 1/2-inch NPT and the cracking pressure is not larger than 0.25 inches HG (3.5 inches of water).

To prevent coil damage, complete the following recommendations:

- Install a 1/2-inch NPT, 15 degree swing check valve vacuum breaker with cracking pressure of 0.25 inches Hg (3.4 inches water) or lower at the top of the coil. This vacuum breaker should be installed as close to the coil as possible.
- For coil type NS, install the vacuum breaker in the unused condensate return tapping at the top of the coil.

Piping and Connections

Note: Do not drain the steam mains or take-offs through the coils. Drain the mains ahead of the coils through a steam trap to the return line.

7. Ensure overhead returns have 1 psig of pressure at the steam trap discharge for every 2 feet of elevation for continuous condensate removal.

Water Coil Piping

Type 3W, 5A, 5W, D1, W, UW, TT, P, 2, P4, and P8 water coils are self-venting only if the water velocity exceeds 1.5 feet per second (fps) in the coil tubes. Type D2, UA, UU, 3U, and WD water coils are self-venting only if the water velocity exceeds 2.5 fps in the coil tubes. See the unit submittals for coil water velocity. If the water velocity is below these minimums, vent the coil by one of the following methods:

1. Install an air vent in the top pipe plug tapping of the return header.
2. When the return line rises above the top of the coil, vent from the top of the return header horizontally to the return piping.

Note: TT coils are designed with larger than normal end tube sheet holes to allow for maximum expansion. Air leakage around tubes should be expected and handled by capping over coil ends or by sealing around tubes with a pliable sealant such as silicone.

Figure 134. Typical piping for type 5W one-row water coil

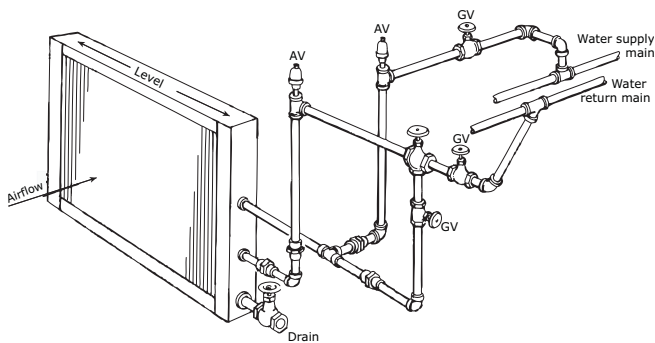


Figure 135. Typical piping for type 5A, 5W two-row, W 3- to 12-row, WD, D1, and D2 water coils

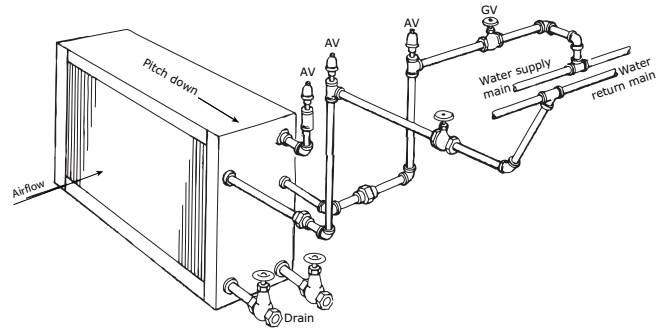
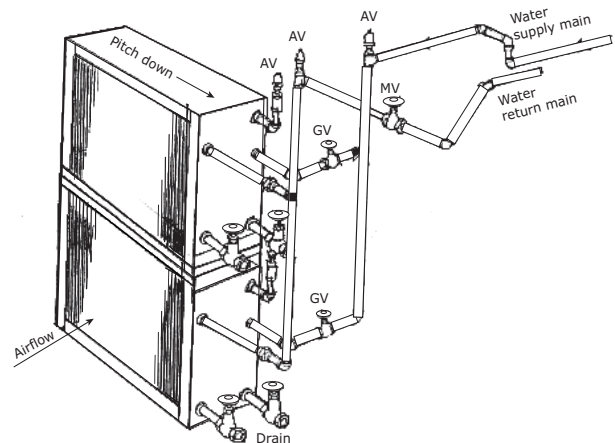


Figure 136. Typical piping for stacked water coils

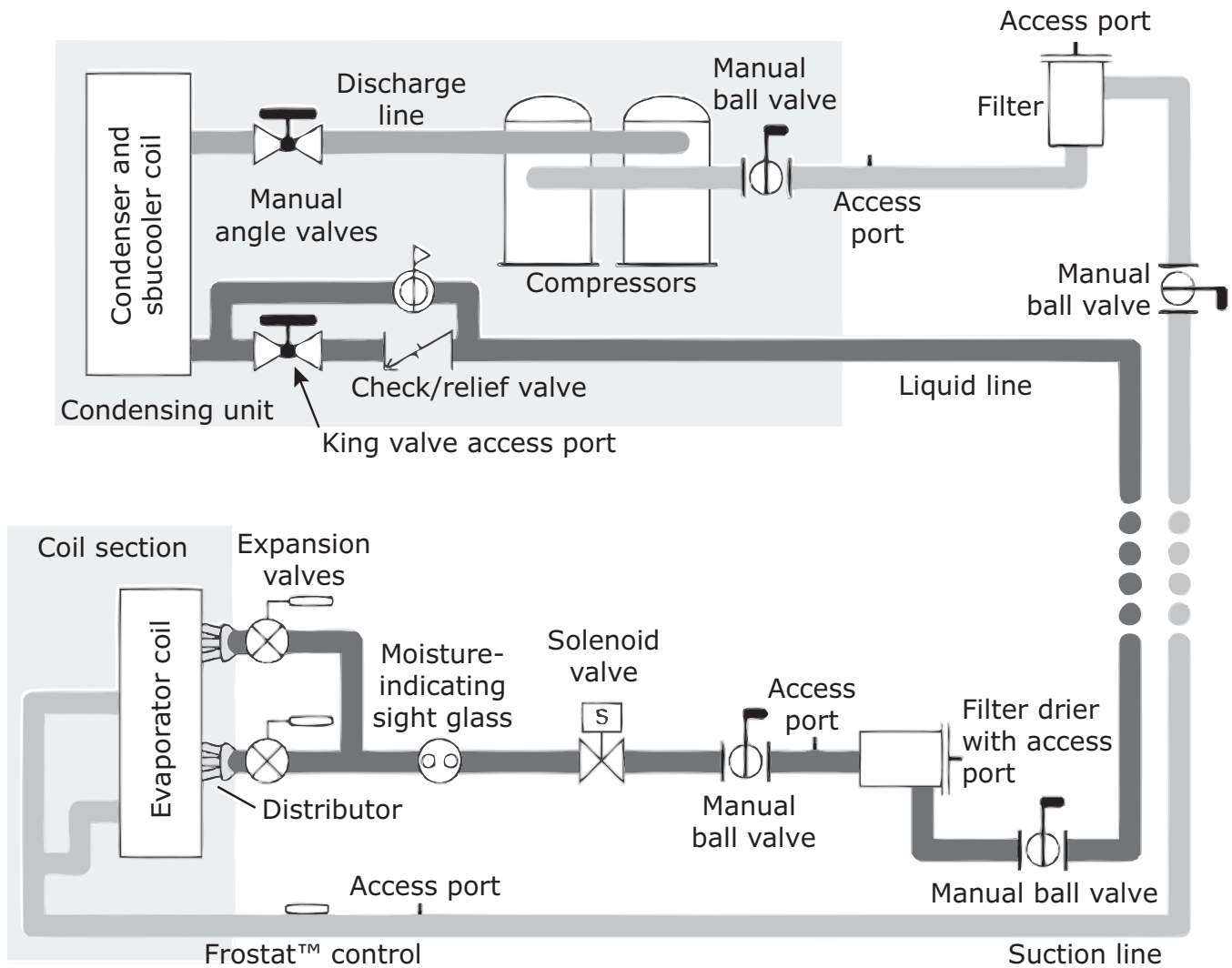


Refrigerant Coil Piping

Note: Refer to for information on handling refrigerants.

Figure 137 illustrates an example of a split-system component arrangement. Use it to determine the proper, relative sequence of the components in the refrigerant lines that connect the condensing unit to an evaporator coil. Refer to "Field-Installed Evaporator Piping," p. 110 for more detailed schematics of evaporator piping.

Figure 137. Example of placement for split-system components



Kit with sensor - X13790452010 SEN-01212

Kit with switch - X13100429010 THT 02442

Liquid Lines

Line Sizing

Properly sizing the liquid line is critical to a successful split-system application. The selected tube diameter must provide at least 5°F [2.7°C] of subcooling at the expansion valve throughout the operating envelope. Increasing the size of the liquid line will not increase the available subcooling.

Routing

Install the liquid line with a slight slope in the direction of flow so that it can be routed with the suction line. Minimize tube bends and reducers because these items tend to increase pressure drop and to reduce subcooling at the expansion valve. Liquid line receivers, other than those that are factory-installed, are not recommended.

Insulation

The liquid line is generally warmer than the surrounding air, so it does not require insulation. In fact, heat loss from the liquid line improves system capacity because it provides additional subcooling. However, if the liquid line is routed through a high-temperature area, such as an attic or a mechanical room, insulation would be required.

Components

Liquid-line refrigerant components necessary for a successful job include a filter drier, access port, solenoid valve, moisture-indicating sight glass, expansion valve(s), and ball shutoff valves. [Figure 137](#) illustrates the proper sequence for positioning them in the liquid line. Position the components as close to the evaporator as possible.

- **Filter drier.** There is no substitute for cleanliness during system installation. The filter drier prevents residual contaminants, introduced during installation, from entering the expansion valve and solenoid valve.
- **Access port.** The access port allows the unit to be charged with liquid refrigerant and is used to determine subcooling. This port is usually a Schraeder® valve with a core.
- **Solenoid valve.** In split systems, solenoid valves isolate the refrigerant from the evaporator during off cycles; under certain conditions, they may also trim the amount of active evaporator as compressors unload. Generally, the “trim” solenoid valve is unnecessary for VAV comfort-cooling applications, and is only required for constant-volume applications when dehumidification is a concern. In split systems with microchannel heat exchanger condensers (MCHE), solenoid valves isolate the refrigerant from the evaporator during the off cycles. Trim solenoids cannot be used with MCHE.

Note: Trane condensing units with MCHE no longer employ pump-down, but isolation solenoids are required. The suggested solenoid uses a 120-volt

service and requires code-compliant wiring to the condensing unit.

- **Moisture-indicating sight glass.** Be sure to install one moisture-indicating sight glass in the main liquid line. The only value of the sight glass is its moisture indication ability. Use actual measurements of temperature and pressure—not the sight glass—to determine subcooling and whether the system is properly charged. The moisture indicator/sight glass must be sized to match the size of the liquid line at the thermal expansion valve.

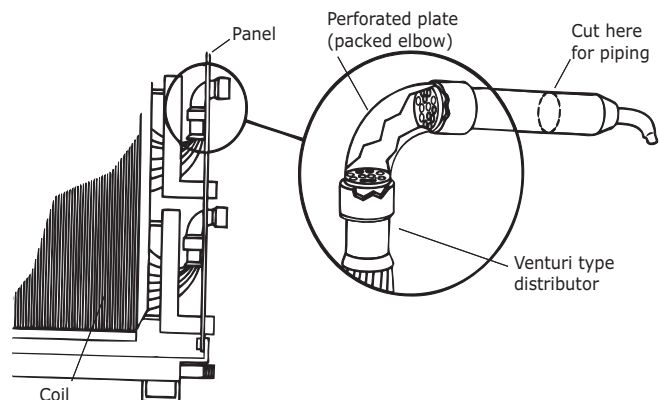
NOTICE

Valve Damage!

Failure to protect the valve from high temperatures could result in damage to internal components. Disassemble the thermal expansion valve before completing the brazing connections. If necessary, wrap the valve in a cool, wet cloth while brazing.

- **Thermal expansion valve.** The expansion valve is the throttling device that meters the refrigerant into the evaporator coil. Metering too much refrigerant floods the compressor; metering too little elevates the compressor temperature. Choosing the correct size and type of expansion valve is critical to assure it will correctly meter refrigerant into the evaporator coil throughout the entire operating envelope of the system. *Correct refrigerant distribution into the coil requires an expansion valve for each distributor.* The thermal expansion valve must be selected for proper size and capacity. The size of the expansion valve should cover the full range of loadings. Check that the valve will successfully operate at the lightest load condition. For improved modulation, choose expansion valves with balanced port construction and external equalization. Cut the process tube and cap assembly from the liquid connection as shown in [Figure 138](#) and install the expansion valve directly to the liquid connections.

Figure 138. Type F refrigerant coil with packed elbow



- *Ball shutoff valves.* Adding manual, ball-type shutoff valves upstream and downstream of the filter simplifies replacement of the filter core.

Suction Lines

Line sizing

Proper line sizing is required to guarantee the oil returns to the compressor throughout the system's operating envelope. At the same time, the line must be sized so that the pressure drop does not excessively affect capacity or efficiency. To accomplish both objectives, it may be necessary to use two different line diameters: one for the horizontal run and for the vertical drops, and another for the vertical lifts (risers).

Routing

To prevent residual or condensed refrigerant from "free-flowing" toward the compressor during the off cycle, install the suction line so it slopes by ¼ inch to 1 inch per 10 feet of run toward the evaporator.

When the application includes a suction riser, oil must be forced to travel the height of the riser. Riser traps are unnecessary in the suction line. They will add pressure drop. Double risers must not be used. They not only add pressure drop, but can hold great amounts of oil - oil better used in the compressor.

If a suction riser is properly sized, oil will return to the compressor regardless of whether a trap is present. If a suction riser is oversized, adding a trap will not restore proper oil entrainment.

Avoid Underground Refrigerant Lines

Refrigerant condensation during the off cycle, installation debris inside the line (including condensed ambient moisture), service access, and abrasion/corrosion can quickly impair reliability.

Insulation

Any heat that transfers from the surrounding air to the cooler suction lines increases the load on the condenser (reducing the system's air-conditioning capacity) and promotes condensate formation. After operating the system and testing all fittings and joints to verify that the system is leak-free, insulate suction lines to prevent heat gain and unwanted condensation.

Components

Installing the suction line requires field installation of these components: a filter, access port, and a Froststat™ control when the refrigerant coil is used with Trane condensing units. Position them as close to the compressor as possible.

Note: Placement of the Froststat control is illustrated in Figure 137, p. 105.

- *Filter.* The suction filter prevents contaminants, introduced during installation, from entering the

compressor. For this reason, the suction filter should be the replaceable-core type, *and* a clean core should be installed after the system is cleaned up.

- *Access port.* The access port is used to determine suction pressure. This port is usually a Schraeder valve with a core.
- *Froststat™ coil frost protection.* The Froststat control is the preferred method for protecting evaporator coils from freezing when the refrigerant coil is used with Trane condensing units. It senses the suction-line temperature and temporarily disables mechanical cooling if it detects frost conditions. The control is mechanically attached to the outside of the refrigerant line, near the evaporator, and wired to the unit control panel.
- *Ball shutoff valve.* Adding manual, ball-type shutoff valves upstream and downstream of the filter simplifies replacement of the filter core.

Expansion Valves

Note: Thermal expansion valve (TXV) is never provided or sized from the factory. This is always a field-sized and field-provided component.

Expansion valves meter refrigerant into the evaporator under controlled conditions. If there is too much refrigerant, the refrigerant will not completely vaporize and the remaining liquid will slug the compressor. If there is too little refrigerant, there may not be enough cooling for the compressor.

Expansion valve requirements vary based on condensing unit design. Consult the product literature for the condensing unit to be used for proper valve selection.

Hot Gas Bypass

Many years ago, hot gas bypass (HGBP) was successfully added to HVAC systems to correct a number of operational problems. Hoping to avoid such problems altogether, it eventually became common practice for designers to specify hot gas bypass in new systems. Unfortunately, the practice often degraded rather than improved reliability.

Hot gas bypass increases the minimum refrigerant charge; it also inflates the first cost of the system. Besides adding more paths for potential refrigerant leaks, hot gas bypass increases the likelihood of refrigerant distribution problems. Finally, hot gas bypass uses excessive amounts of energy by preventing the compressors from cycling with fluctuating loads.

Trane now has many years of experience in the successful use of equipment *without hot gas bypass* in commercial comfort-cooling applications. To prevent evaporator freeze-up, Trane equipment typically includes Froststat™ coil frost protection.

Like hot gas bypass, the Froststat system protects the coil from freezing, but it does so by turning off compressors

when a sensor detects the formation of frost on the evaporator coil. The compressor is released to operate when the coil temperature rises a few degrees above the frost threshold. The Froststat control strategy reduces the overall energy consumption of the system while maintaining system control.

Systems should be designed to avoid HGBP whenever possible. For more information about HGBP, refer to the *Engineers Newsletter*, "Hot Gas Bypass – Blessing or a Curse?" (ADM-APN007-EN).

Humidifier Piping and Connections

These instructions cover the piping installation for Trane's building steam humidifier panel and atmospheric steam humidifier panel. The humidifier panel shall arrive installed in the unit air cabinet.

Units with a humidifier panel to be used with building (boiler) steam will also receive the following piping accessories shipped direct from the humidifier vendor to the jobsite address.

- Inverted bucket steam trap (to be used to drip steam supply to control valve)
- Control valve
- In-line Y strainer (to be used prior to the control valve)
- Float and thermostatic steam trap (for condensate drainage of header, two required)

Units with a humidifier panel to be used with atmospheric distribution of steam generated by electric or steam-to-steam humidifiers (steam generating) are not supplied with piping accessories. Piping will be determined by requirement of field-provided steam generator.

All accessories listed above will be on the packing slip. Report any shortages immediately. If accessories have been damaged in transit, notify Trane and file claim with the transportation company. If your order covers more than one package, segregate complete assembly. Equipment tagging will be the same as shown on the packing list.

All piping accessories should be installed in accordance with all applicable building, plumbing, and electrical codes.

Condensate discharged from the humidifier separator/header is essentially atmospheric pressure. Thus condensate must be discharged to a drain or pumped. On many applications, an attempt to lift condensate even a few inches will lead to potential flooding or spitting problems from the multiple tube bank. Avoid master trapping the two connections to one steam trap. If traps discharge into a common return, install check valves (low opening pressure) on the outlet of each trap.

Supplying quality steam (not wet) to the humidifier panel is an important component for proper operation. Care must be taken that the main supply header is dripped

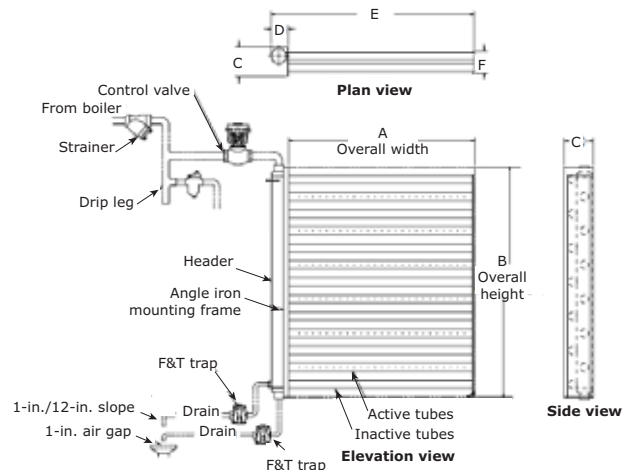
sufficiently as well as the runout piping to the control valve and header. The entire system must be designed and hooked up to prevent accumulation of condensate at any point. The following recommendations will help to ensure this.

Use drip legs and traps at all low spots or natural drainage points such as:

- Ahead of risers
- End of mains
- Ahead of expansion joints or bends
- Ahead of valves or regulators

Install drip legs and drain traps even where there are no natural drainage points.

Figure 139. Building (boiler) steam panel piping



Note: Unit drain pan and connection not shown.

Remodel, Retrofit, or Replacement

Inevitably, older condensing units and evaporator systems will need to be replaced or retrofitted. Due to the phase-out of many of these older refrigerants, the major components for those older units or systems may no longer be available. The only option will be to convert the system to R-410A, POE oil, and R-410A components.

When upgrading an existing refrigerant split system due to remodel, retrofit, or replacement, the entire system must be reviewed for compatibility with R-410A and POE oil. Each and every part of the split HVAC system **MUST** be compatible with the properties of R-410A refrigerant and POE oil. In addition, ensure the existing electrical service is adequate for the product being installed.

⚠ WARNING**R-410A Refrigerant under Higher Pressure than R-22!**

Failure to use proper equipment or components as described below, could result in equipment failing and possibly exploding, which could result in death, serious injury, or equipment damage. The units described in this manual use R-410A refrigerant which operates at higher pressures than R-22. Use **ONLY R-410A** rated service equipment or components with these units. For specific handling concerns with R-410A, please contact your local Trane representative.

Every part of an existing split system needs to be analyzed to determine if it can be reused in an R-410A and POE oil system:

- R-22 condensing units will not work with R-410A; they must be replaced.
- Most older evaporator coils were not pressure- and cycle-rated for R-410A pressures. If they weren't, they will need to be replaced. If they were properly pressure-rated for R-410A, existing coils must be modeled to determine if they will meet capacity requirements, are properly circuited, have correctly sized distributor tubes, and employ acceptable distributors and orifices.
- The required R-410A line sizes may be different than the existing line sizes. The lines need to be re-sized and compared to existing lines for reusability.
- Suction lines 2-5/8 OD and smaller of type L copper are suitable for use with R-410A. Suction lines 3-1/8 OD must use type K or thicker wall.
- Discharge lines, liquid lines, heat pump vapor lines, and hot gas bypass lines 1-3/8 OD and smaller of type L copper are suitable for use with R-410A. These same lines sized at 1-5/8 OD or 2-1/8 OD must use type K or thicker wall.
- Expansion valves need to be reselected. Expansion valves are refrigerant specific.

- Any gasket or o-ring should be replaced. Shrinkage of the original seal may occur after an HFC conversion, potentially causing a refrigerant leak. Components commonly affected are Schraeder cores, solenoid valves, ball valves, and flange seals. But *all* external seals in contact with refrigerant should be viewed as potential leak sources after a retrofit.
- All other valves, filters, valve packing, pressure controls, and refrigeration accessories must be researched through their manufacturer for compatibility with the pressures of an R-410A system, and for their compatibility with the newer POE oil.
- For the best performance and operation, the original mineral oil should be removed from the components of the system that are not being replaced. Any component of the system that is suspected of trapping oil (piping, traps, and coil), should be dismantled, drained, and reassembled. After all components have been drained, the amount of residual mineral oil will have a negligible effect on performance and reliability.

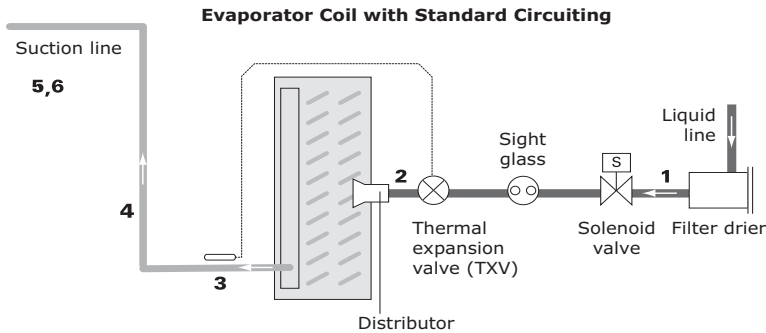
NOTICE**Compressor Damage!**

POE oil is hygroscopic – it absorbs water directly from the air. This water is nearly impossible to remove from the compressor oil and can cause compressor failures. For this reason, the system should not be open for longer than necessary, dry nitrogen should flow in the system while brazing, and only new containers of oil should be used for service and maintenance.

All Codes take precedence over anything written here.

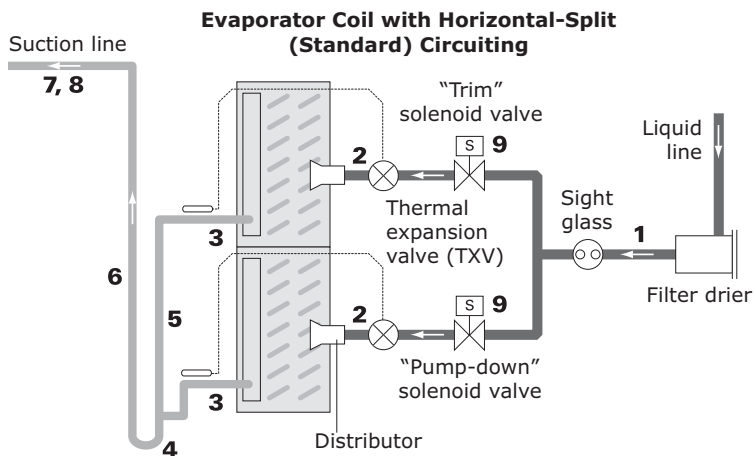
Field-Installed Evaporator Piping

Figure 140. Typical single-circuit condensing unit: evaporator coil with one distributor

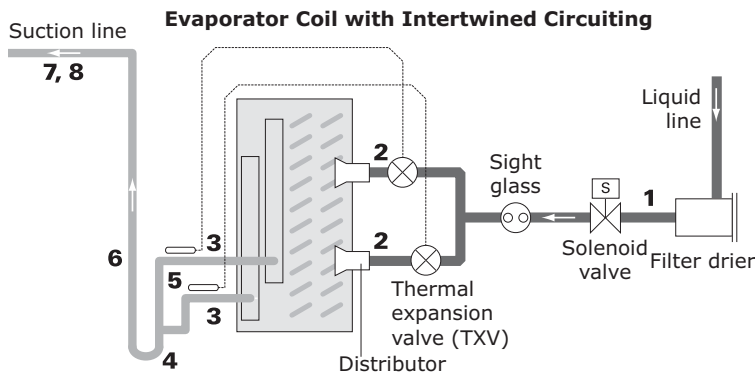


1. Pitch the liquid line slightly—1 inch/10 feet—so that the refrigerant drains toward the evaporator.
2. Provide one expansion valve per distributor.
3. Slightly pitch the outlet line from the suction header toward the suction riser—that is, 1 inch/10 feet in the direction of flow. Use the tube diameter that matches the suction-header connection.
4. Use the tube diameter recommended in the condensing unit application manual for a vertical rise. Ensure that the top of the riser is higher than the evaporator coil.
5. Pitch the suction line slightly—1 inch/10 feet—so the refrigerant drains toward the evaporator.
6. Insulate the suction line.

Figure 141. Typical single-circuit condensing unit: evaporator coil with two distributors

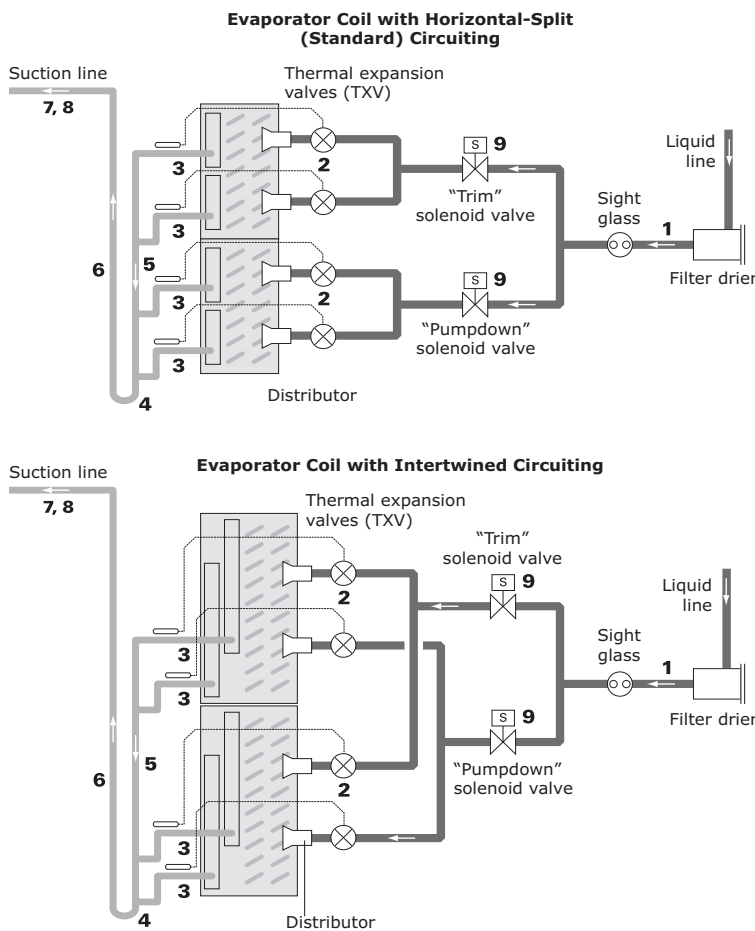


1. Pitch the liquid line slightly—1 inch/10 feet—so the refrigerant drains toward the evaporator.
2. Provide one expansion valve per distributor.
3. Slightly pitch the outlet line from the suction header toward the suction riser— 1 inch/10 feet in the direction of flow. Use the tube diameter that matches the suction-header connection. Use a double-elbow configuration to isolate the TXV bulb from other suction headers.
4. This looks like a trap, but is actually due to the requirement that the refrigerant gas leaving the coil flows downward, past the lowest suction-header outlet, before turning upward.
5. Use the “horizontal” tube diameter as specified in the condensing unit application manual.
6. Use the tube diameter recommended for a vertical rise as specified in the condensing unit application manual. Assure the top of the riser is higher than the evaporator coil.
7. Pitch the suction line slightly—1 inch/10 feet—so that the refrigerant drains toward the evaporator.
8. Insulate the suction line.
9. Only use a “trim” solenoid valve for constant-volume, humidity-sensitive applications. For all other applications, install a single solenoid valve (the “pumpdown” solenoid valve) between the liquid-line filter drier and the sight glass.



Note: Due to reduced coil volume in condensing units with microchannel heat exchanger condenser, do not use trim solenoid valves for these units.

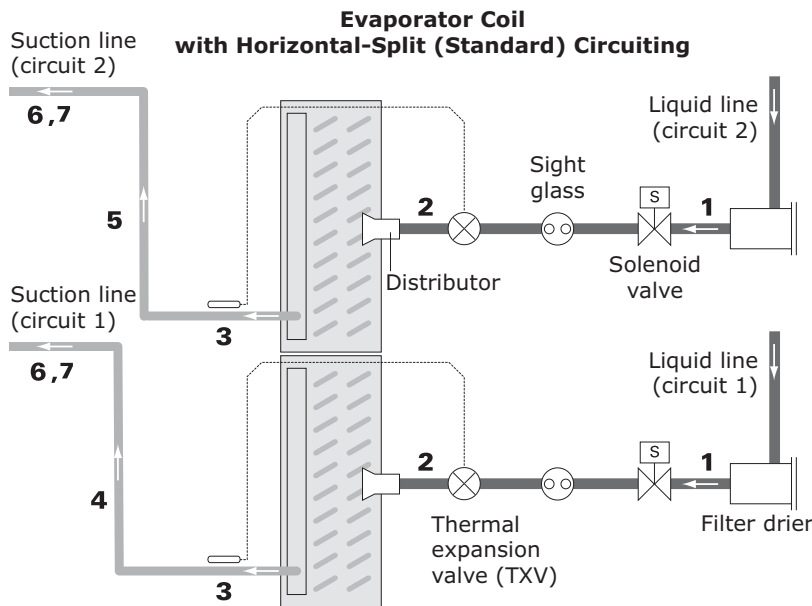
Figure 142. Typical single-circuit condensing unit: evaporator coil with four distributors



1. Pitch the liquid line slightly—1 inch/10 feet—so that the refrigerant drains toward the evaporator.
2. Provide one expansion valve per distributor.
3. Slightly pitch the outlet line from the suction header toward the suction riser— 1 inch/10 feet in the direction of flow. Use the tube diameter that matches the suction-header connection.
4. This looks like a trap, but is actually due to the requirement that the refrigerant gas leaving the coil flows downward, past the lowest suction-header outlet, before turning upward. Use the double-elbow configuration to isolate the TXV bulb from other suction headers.
5. Use the “horizontal” tube diameter as specified in the condensing unit application manual.
6. Use the tube diameter recommended for a vertical rise as specified in the condensing unit application manual. Ensure that the top of the riser is higher than the evaporator coil.
7. Pitch the suction line slightly—1 inch/10 feet— so that the refrigerant drains toward the evaporator.
8. Insulate the suction line.
9. Only use a “trim” solenoid valve for constant-volume, humidity-sensitive applications. For all other applications, install a single solenoid valve (the “pumpdown” solenoid valve) between the liquid-line filter drier and the sight glass.

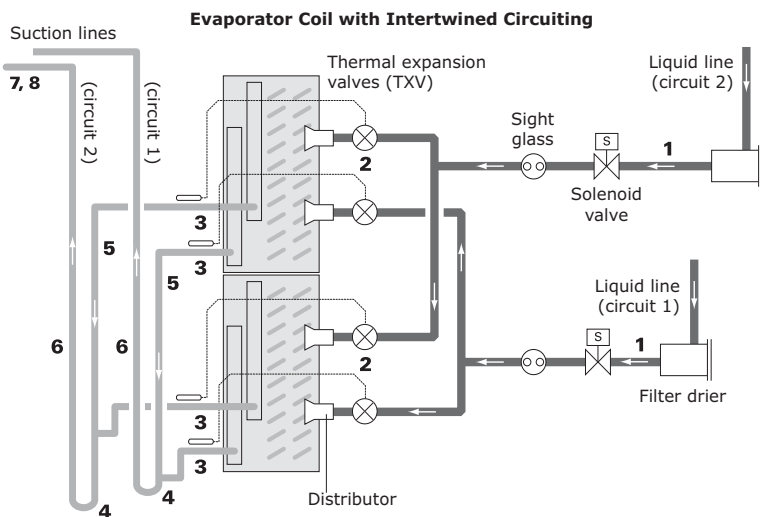
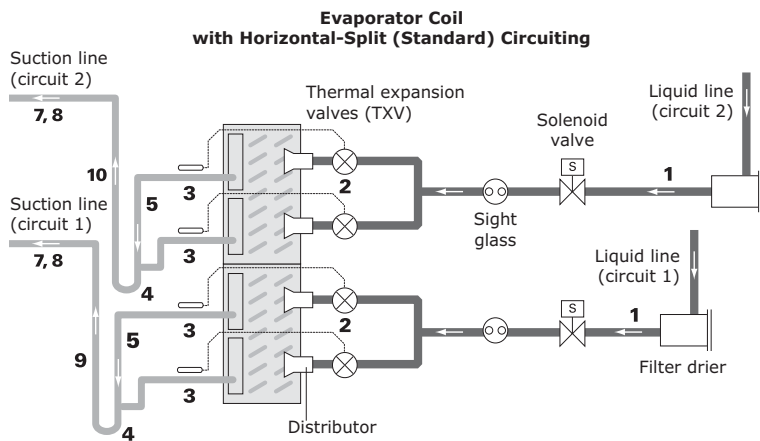
Note: Due to reduced coil volume in condensing units with microchannel heat exchanger condenser, do not use trim solenoid valves for these units.

Figure 143. Typical dual-circuit condensing unit: evaporator coil with two distributors



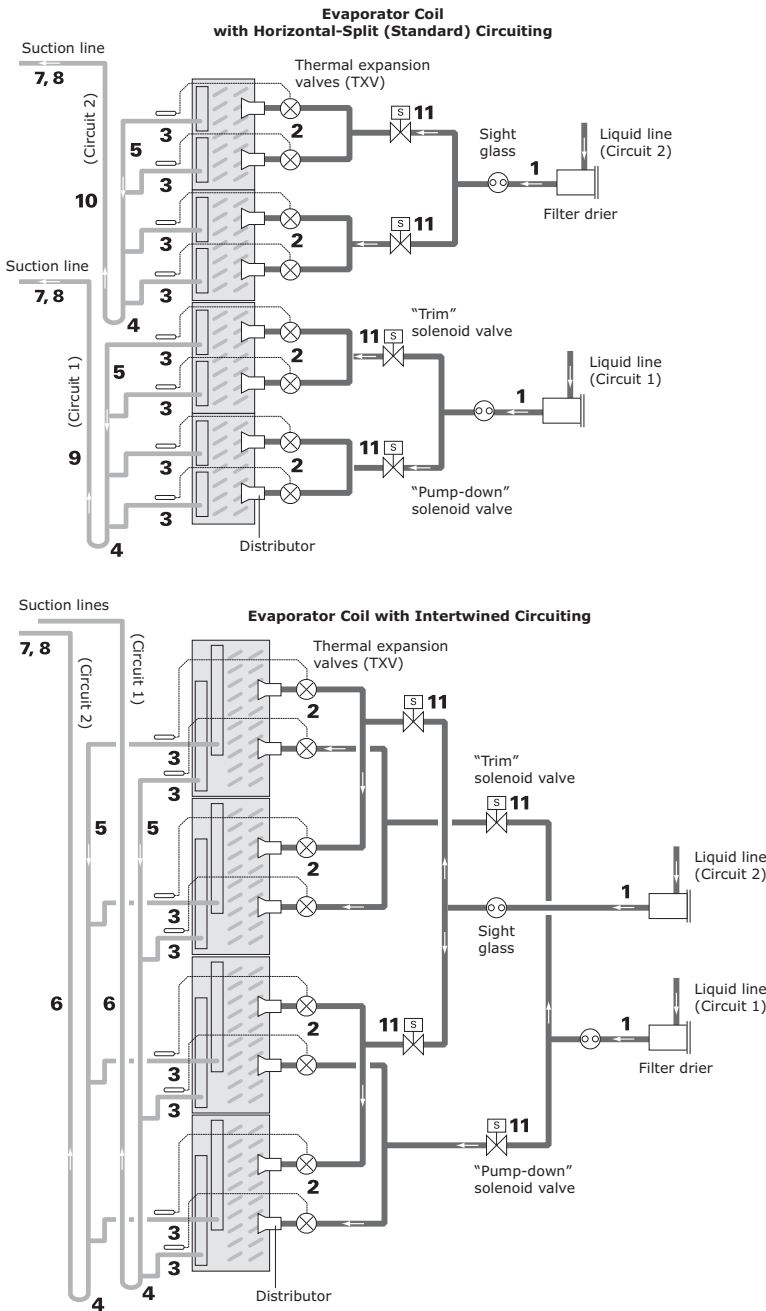
1. Pitch the liquid lines slightly—1 inch/10 feet—so that the refrigerant drains toward the evaporator.
2. Provide one expansion valve per distributor.
3. Slightly pitch the outlet line from the suction header toward the suction riser—1 inch/10 feet in the direction of flow. Use the tube diameter that matches the suction-header connection.
4. The top of the Circuit 1 suction riser must be higher than the bottom evaporator coil. Use the tube diameter recommended for a vertical rise as specified in the condensing unit application manual.
5. The top of the Circuit 2 suction riser must be higher than the top evaporator coil. Use the tube diameter recommended for a vertical rise as specified in the condensing unit application manual.
6. Pitch the suction lines slightly—1 inch/10 feet—so that the refrigerant drains toward the evaporator.
7. Insulate the suction lines.

Figure 144. Typical dual-circuit condensing unit: evaporator coil with four distributors



1. Pitch the liquid line slightly—1 inch/10 feet —so that the refrigerant drains toward the evaporator.
2. Provide one expansion valve per distributor.
3. Slightly pitch the outlet line from the suction header toward the suction riser— 1 inch/10 feet in the direction of flow. Use the tube diameter that matches the suction-header connection.
4. This looks like a trap, but is actually due to the requirement that the refrigerant gas leaving the coil flows downward, past the lowest suction-header outlet, before turning upward. Use the double-elbow configuration to isolate the TXV bulb from other suction headers.
5. Use the “horizontal” tube diameter as specified in the condensing unit application manual.
6. Use the tube diameter recommended for a vertical rise as specified in the condensing unit application manual. Ensure that the top of the riser is higher than the evaporator coil.
7. Pitch the suction line slightly—1 inch/10 feet — so that the refrigerant drains toward the evaporator.
8. Insulate the suction line.
9. The top of the Circuit 1 suction riser must be higher than the bottom evaporator coil. Use the tube diameter recommended for a vertical rise as specified in the condensing unit application manual.
10. The top of the Circuit 2 suction riser must be higher than the top evaporator coil. Use the tube diameter recommended for a vertical rise as specified in the condensing unit application manual.

Figure 145. Typical dual-circuit condensing unit: evaporator coil with eight distributors



1. Pitch the liquid line slightly—1 inch/10 feet—so that the refrigerant drains toward the evaporator.
2. Provide one expansion valve per distributor.
3. Slightly pitch the outlet line from the suction header toward the suction riser— 1 inch/10 feet in the direction of flow. Use the tube diameter that matches the suction-header connection.
4. This looks like a trap, but is actually due to the requirement that the refrigerant gas leaving the coil flows downward, past the lowest suction-header outlet, before turning upward. Use the double-elbow configuration to isolate the TXV bulb from other suction headers.
5. Use the “horizontal” tube diameter as specified in the condensing unit application manual.
6. Use the tube diameter recommended for a vertical rise as specified in the condensing unit application manual. Ensure that the top of the riser is higher than the evaporator coil.
7. Pitch the suction line slightly—1 inch/10 feet— so that the refrigerant drains toward the evaporator.
8. Insulate the suction line.
9. The top of the Circuit 1 suction riser must be higher than the bottom evaporator coil. Use the tube diameter recommended for a vertical rise as specified in the condensing unit application manual.
10. The top of the Circuit 2 suction riser must be higher than the top evaporator coil. Use the tube diameter recommended for a vertical rise as specified in the condensing unit application manual.
11. Only use a “trim” solenoid valve for constant-volume, humidity-sensitive applications. For all other applications, install a single solenoid valve (the “pumpdown” solenoid valve) between the liquid-line filter drier and the sight glass.

Note: Due to reduced coil volume in condensing units with microchannel heat exchanger condenser, do not use trim solenoid valves for these units.



Installation - Electrical

⚠ WARNING

Hazardous Voltage w/Capacitors!

Failure to disconnect power and discharge capacitors before servicing could result in death or serious injury. Disconnect all electric power, including remote disconnects and discharge all motor start/run capacitors before servicing. Follow proper lockout/tagout procedures to ensure the power cannot be inadvertently energized. For variable frequency drives or other energy storing components provided by Trane or others, refer to the appropriate manufacturer's literature for allowable waiting periods for discharge of capacitors. Verify with an appropriate voltmeter that all capacitors have discharged.

For additional information regarding the safe discharge of capacitors, see PROD-SVB06-EN*

NOTICE

Use Copper Conductors Only!

Failure to use copper conductors could result in equipment damage as the equipment was not designed or qualified to accept other types of conductors.

Note: Air handlers often include optional factory-provided casing penetration entry points for field-provided wiring. Consider overall unit serviceability and accessibility before mounting, running wires (power), making cabinet penetrations, or mounting any components to the cabinet.

The electric heat door may have a solenoid locking mechanism to prevent opening the control panel while the electric heater is energized.

Units intended for indoor use are available with starters or variable-frequency drives (VFDs) that are externally mounted in an enclosure or internally mounted in a recessed cabinet. Units intended for outdoor use are only available with internally mounted starters or VFDs. A typical internally mounted VFD is shown in the following figure.

Figure 146. Internally mounted VFD



A typical externally mounted VFD is shown the following figure.

Figure 147. Externally mounted VFD



Motorized impeller control panel (MICP) is mounted in an external NEMA 4 box and provides a common externally accessible disconnect switch, power distribution block, control terminal block and independent motor overcurrent protection. Motor control connections are brought to the external enclosure to ease field wiring. This option allows the fan to be included in a unit single-point power feed and allows the control signals to be pre-wired into the factor installed control system. Refer to the following figure for control panel layout of the three fan configurations.

The control panel's disconnect handle requires that the panel be mounted 72 inches or below from the floor. This limits the option to fan sections on the bottom level on the unit, or fan sections on the second level for units size 14 and below.

Figure 148. External motorized impeller control panel (MICP)



Typical wiring schematics for VFDs and starters are shown in [Figure 155](#) and [Figure 156](#), respectively. Unit specific wiring schematics are shipped with each unit.

All units with starters or VFDs that have direct-digital controllers (DDCs) are provided with line voltage to 24 Vac power transformers as shown in [Figure 149](#).

Figure 149. Controller - internally mounted



When provided, the line voltage to 24 Vac transformers are factory wired to the supply fan power feed. All units with factory-mounted controllers, and no starters or VFDs, are provided with 120 Vac to 24 Vac control transformers, as shown in [Figure 150](#), and require a separate 120V field connection.

Figure 150. Controller - externally mounted



Figure 151. Externally mounted control box



As with starters or VFDs, units intended for indoor use are available with DDCs mounted internally (see [Figure 149](#)) or externally (see [Figure 150](#) and [Figure 151](#)), while units intended for outdoor use are only available with internally mounted DDCs.

In units with 24Vac LED marine lights, the lights are wired together to a single switch located in the controls interface module. [Figure 151](#) shows a typical mounting of the controls interface module with an externally mounted controller. When DDCs are provided, the lighting circuit is powered from the DDC power feed and does not require a separate power source. When marine lights are provided without DDCs, the lighting circuit requires a separate 120V field connection that powers the lights through a 120V to 24Vac power transformer.

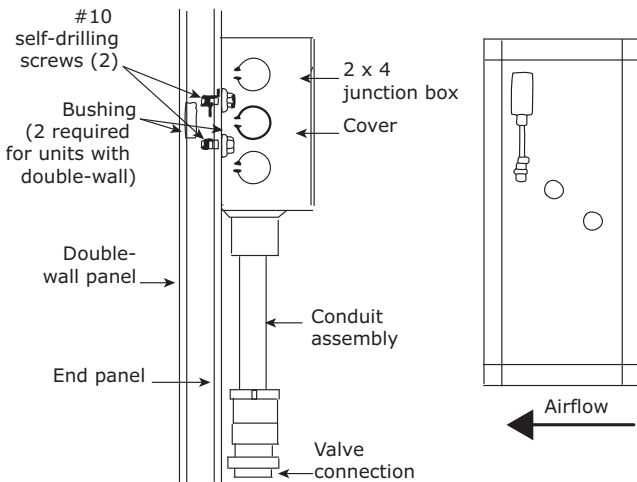
A mounted GFCI receptacle is provided for all units that have DDCs or marine lights. The receptacle is mounted in the controls interface module (see [Figure 151](#)) with the unit light switch. The receptacle requires a separate 120V power feed.

The electric heat door may have a solenoid locking mechanism to prevent opening the control panel while the electric heater is energized.

Field installed DDC control devices:

- Install outside-air sensor and space sensor, if ordered.
- Connect control valves, if ordered, to the valve jack provided as part of the unit wiring harness. The valve jack is typically located at the air-leaving side of the coil connection inside the casing panel. For valve junction box mounting and wiring detail, see [Figure 152](#).

Figure 152. Junction box for valve wiring



Quick Connects

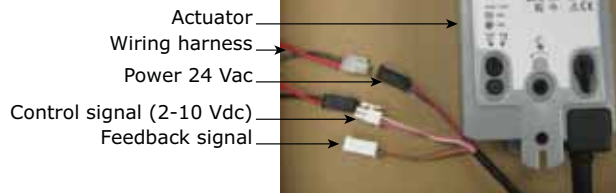
The actuators, factory-mounted or field-supplied, are separately wired and controlled by a direct-digital controller or other building logic. [Figure 153](#) illustrates the typical quick connect scheme.

Note: With units that require splits to be assembled that have high voltage quick connects, use wire ties to bind the quick connections together to avoid poor connections or intermittent connection from vibrations.

Figure 153. Typical quick connects with wiring.

Wiring:

- Red/black - power (hot)
- White/pink - control signal (in)
- Orange/gray - feedback (out)



If the unit does not include a factory-mounted starter, wiring to the unit fan motor must be provided by the installer and must comply with all national and local electrical codes. The installer must also furnish a service disconnect switch in compliance with national and local electrical codes.

Fan motors require motor overload protective devices that are rated or selected in compliance with the National Electric Code (NEC) or Canadian Electric Code. Specific unit and motor connection diagrams are provided on the starter/VFD if Trane-provided, or refer to the motor nameplate.

If wiring directly to the motor, a flexible connection at the motor to permit fan belt adjustment should be provided. Fractional horsepower motors may be factory connected to a terminal box on the unit. If this construction is provided, the installer should complete field wiring to this connection box. For a typical wiring schematic, see [Figure 155](#) thru [Figure 160](#).

Note: Properly seal all penetrations in unit casing. Failure to seal penetrations from inner panel to outer panel could result in unconditioned air entering the unit.

CDQ™ Desiccant Wheel Cassette/ Motor

NOTICE

Wheel Motor Failure!

Failure to follow instructions below could result in failure of the wheel motor. Do not use a variable frequency drive (VFD) to control the wheel speed.

Installation - Electrical

If not factory-installed, the electrical contractor must provide and install a starter or starting contactor, disconnect, fuses, etc., as required by local codes, for the CDQ wheel motor. Do not install a variable frequency drive (VFD) to control the desiccant wheel speed. This

Optional Damper Actuators

Each actuator requires 24 Vac supply power and wiring for the 2–10 Vdc control signal. This wiring should be sized

Optional Air Temperature Sensors

If not factory-wired, connection to the air temperature sensors is made by penetrating through the side of the module wall and making electrical connections to the temperature sensor. Nominal resistance of these sensors is 1,000 ohms at 32 degrees F (0 degrees C). The sensor is

may result in failure of the wheel motor. The motor requires air movement for continuous operation. Operating the wheel for long periods with the fan off may result in motor failure.

and installed as required per national and local electrical codes.

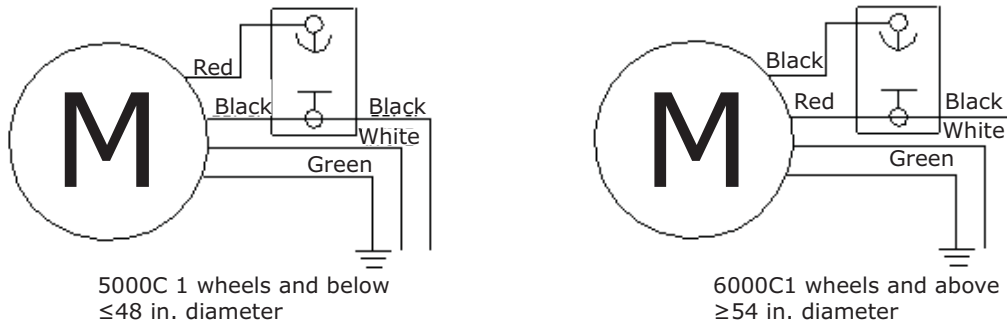
a thermistor with a platinum 375 resistance curve. This wiring should be sized and installed as required per national and local electrical codes.

Table 37. CDQ motor data

Wheel Size (nominal cfm)	HP	Voltage/phase	HZ	Full Load Amps	Rotation RPM	Rotation Direction
500-5000	1/80	115 Volt Single Phase	60	0.3	2.30	CW/CCW*
6000-40,000	1/80	115 Volt Single Phase	60	0.3	4.50	CW/CCW*

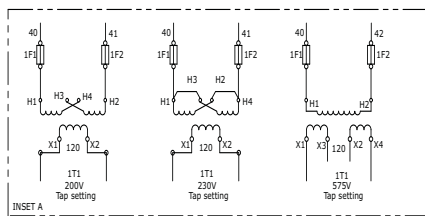
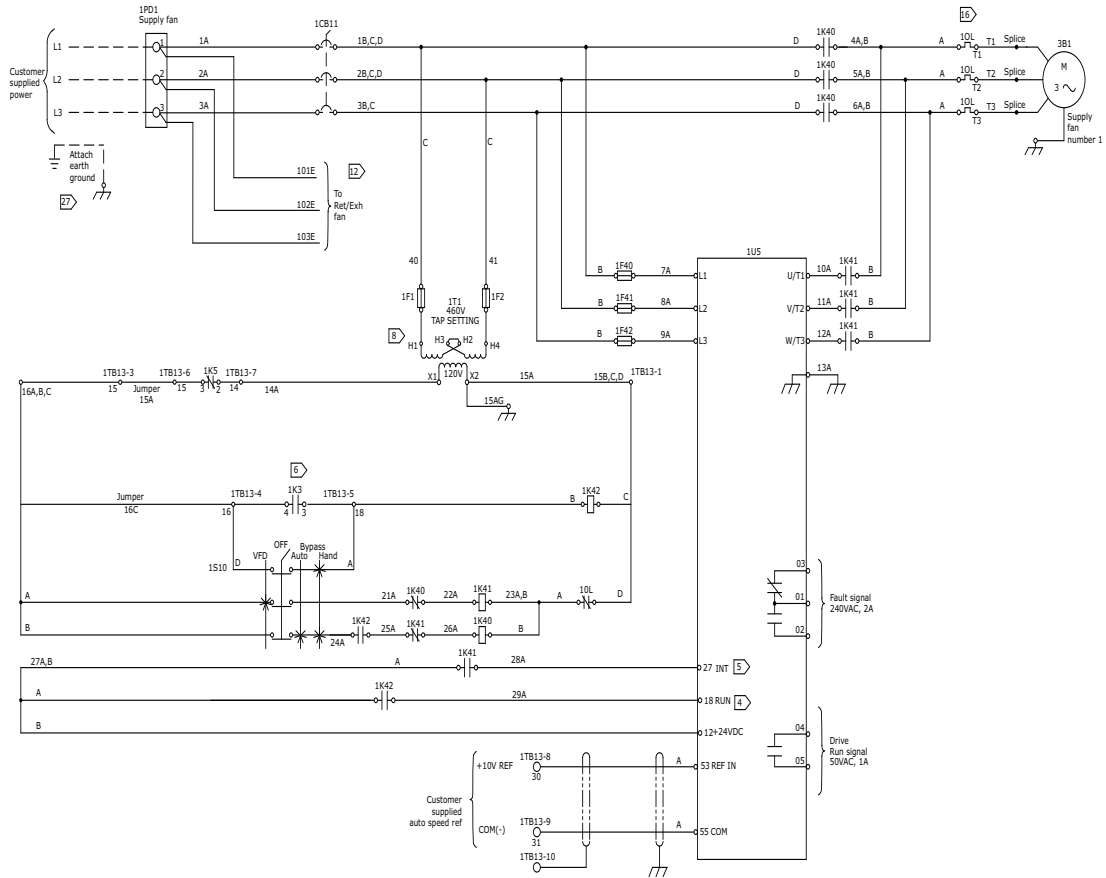
Note: *Motors are wired for counter-clockwise rotation

Figure 154. CDQ motor wiring

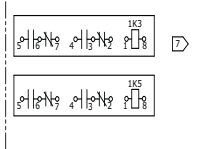


Typical Wiring Schematics

Figure 155. Typical schematic for VFD wiring



Bussman Class T Drive Fuse Part No.	HP	Part No.
1.1.5	1/2	JMN-10
2	3/4	JMN-15
3	1	JMN-20
5	1 1/2	JMN-25
7.5	2	JIS-30
10	3	JMN-50
15	4 1/2	JMN-60
20	6	JMN-80
25.30	7 1/2	JMN-125
40	10	FWH-150B
50	12 1/2	FWH-200B
1.1.5	1/2	JIS-4
2.3	3/4	JIS-10
5	1	JIS-20
7.5	1 1/2	JIS-25
10	2	JIS-30
15.20	3	JIS-40
25	4 1/2	JIS-50
30	6	JIS-60
40	8	JIS-80
50	10	JIS-100
60	12 1/2	JIS-125
75	15	FWH-150B
100	20	FWH-200B
1.1.5	1/2	JIS-3
2.3	3/4	JIS-4
5.7.5	1 1/2	JIS-10
10	2	JIS-15
15	3	JIS-20
20	4	JIS-30
25	5	JIS-35
30	6	JIS-45
40	8	JIS-60
50	10	JIS-80
60	12	JIS-90
75	15	JIS-100
100	20	FWP-125A
125	25	FWP-175B



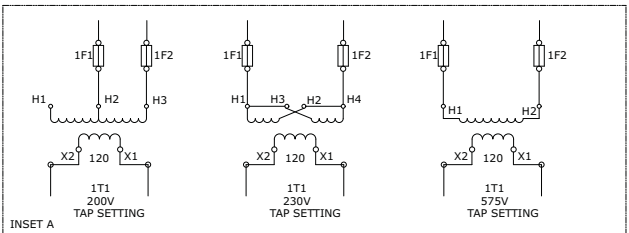
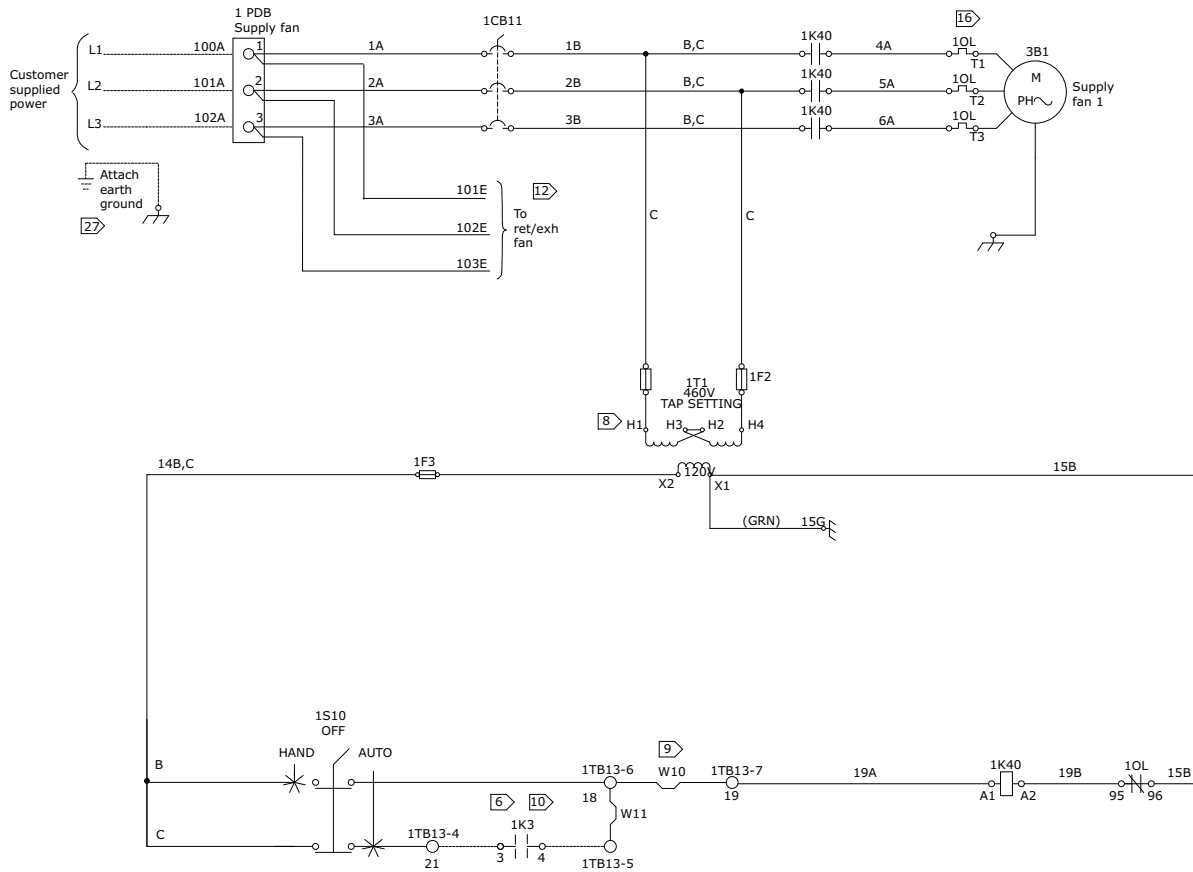
Fuse Rating (AMPS) - 600V Class LP-CC Time Delay				
Line Voltage	Item	MFR.	MFR. Part No.	Danfoss NO.
200	1F1, 1F2	Bussman	FNQ-R-1.25	34046200
230	1F1, 1F2	Bussman	FNQ-R-1.25	34046200
460	1F1, 1F2	Bussman	FNQ-R-0.60	34046000
575	1F1, 1F2	Bussman	FNQ-R-0.50	34053600

Device Prefix Location Code	
Area	Location
1	High voltage panel
2	Low voltage panel (Unit schematic)
3	Air handler section

Legend	
Device Designation	Description
1CB11	VFD circuit breaker
	Control circuit primary fuse(s)
1F1, 1F2	AFC fuse(s)
1K3	Supply fan start/stop relay
1K5	Supply fan low limit relay
1K40	Bypass contactor
1K41	Isolation contactor
1K42	Run permissive relay
1OL	Overload relay
1S10	VFD/OFF/Bypass Auto/Bypass hand switch
1T1	Primary transformer
1PD1	Supply fan power distribution block
1TB13	Terminal strip control circuit
1U5	Drive controller (AFC)
3B1	Supply fan motor

- Notes:
- Dashed lines indicate recommended field wiring by others. Phantom lines indicate control option. Ref. Control panel schematic for specific detail.
 - All field wiring must be in accordance with the National Electrical Code (NEC), state and local requirements. Other countries applicable national and/or local requirements shall apply. Field conductors shall have insulation rating not less than 600V copper conductors only.
 - The minimum circuit ampacity, the maximum fuse size, and disconnect size are calculated based on the inverter input line currents per article 430-2 of the National Electrical Code.
 - Program terminal 27 is run.
 - Program terminal 27 Inv. coasting stop.
 - Closes to run auto mode or bypass auto for option VFD or starter.
 - Relay(s)-contacts: silver-cadmium oxide: 1/6 hp 5 amp @ 120V AC; 1/3 hp 5 amp @ 240V AC. See 24V schematic diagram for coil connections and actual quantity of transformer relays.
 - Control transformer shown for 460V primary. For 200 or 230V or 575V refer to Inset A.
 - If unit has shipping splits wiring will terminate to module at each shipping split.
 - The overload relay trip setting must be adjusted to correspond with the motor full load current as shown on the motor nameplate.
 - Attach ground or equipment ground.

Figure 156. Typical schematic for starter wiring



Legend	
Device Designation	Description
1CB11	Starter circuit breaker
1F1, 1F2	Control circuit primary fuse(s)
1F3	Control circuit secondary fuse
1K3	Supply fan start/stop relay (field supply)
1K40	Supply fan starter
1OL	Overload relay
1S10	Hand/off/auto switch
1T1	Primary transformer
1PDB	Supply fan power distribution block
1TB13	Terminal strip control circuit
3B1	Supply fan motor 1

FUSE RATING (AMPS) - 600V CLASS LP-CC TIME DELAY			
PRIMARY TRANSFORMER FUSES			
LINE VOLTAGE	ITEM	MANUFACTURER	MFR. PART NO.
200	1F1, 1F2	FERRAZ-SHAWMUT	ATQR-1
230	1F1, 1F2	FERRAZ-SHAWMUT	ATQR-8/10
460	1F1, 1F2	FERRAZ-SHAWMUT	ATQR-4/10
575	1F1, 1F2	FERRAZ-SHAWMUT	ATQR-3/10
SECONDARY CIRCUIT FUSES			
LINE VOLTAGE	ITEM	MANUFACTURER	MFR. PART NO.
120	1F3	FERRAZ-SHAWMUT	ATQ-8/10

Device prefix location code	
Area	Location
1	High voltage panel
2	Low voltage panel (unit schematic)
3	Air handler section



- Notes:
- Dashed lines indicate recommended field wiring by others. Phantom lines indicate control option. Ref. Control panel schematic for specific detail.
 - All field wiring must be in accordance with the National Electrical Code (NEC), state and local requirements. Other countries applicable national and/or local requirements shall apply. Field conductors shall have insulation rating not less than 600V copper conductors only.
 - The minimum circuit ampacity, the maximum fuse size, and disconnect size are calculated based on the inverter input line currents per article 430-2 of the National Electrical Code.
- [6] Closes to run auto mode or bypass auto for option VFD or starter.
 [8] Control transformer shown for 460V primary. For 200 or 230V or 575V refer to Inset A.
 [9] Remove jumper and install field safety contact.
 [10] Field supplied contacts.
 [12] If unit has shipping splits wiring will terminate to module at each shipping split.
 [16] The overload relay trip setting must be adjusted to correspond with the motor full load current as shown on the motor nameplate.
 [27] Attach ground or equipment ground.

Figure 157. Typical schematic for motorized impeller control panel (MICP)

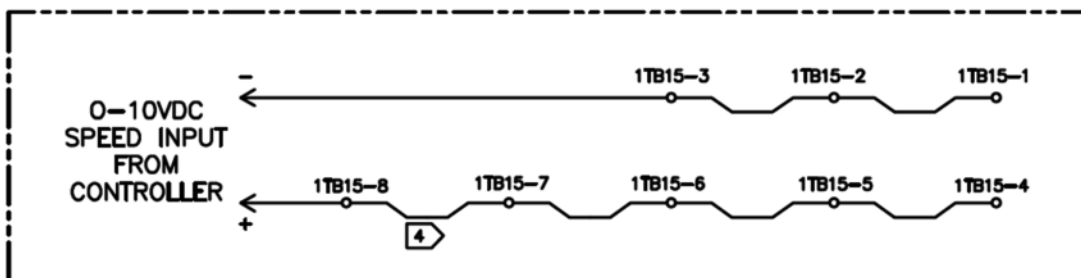
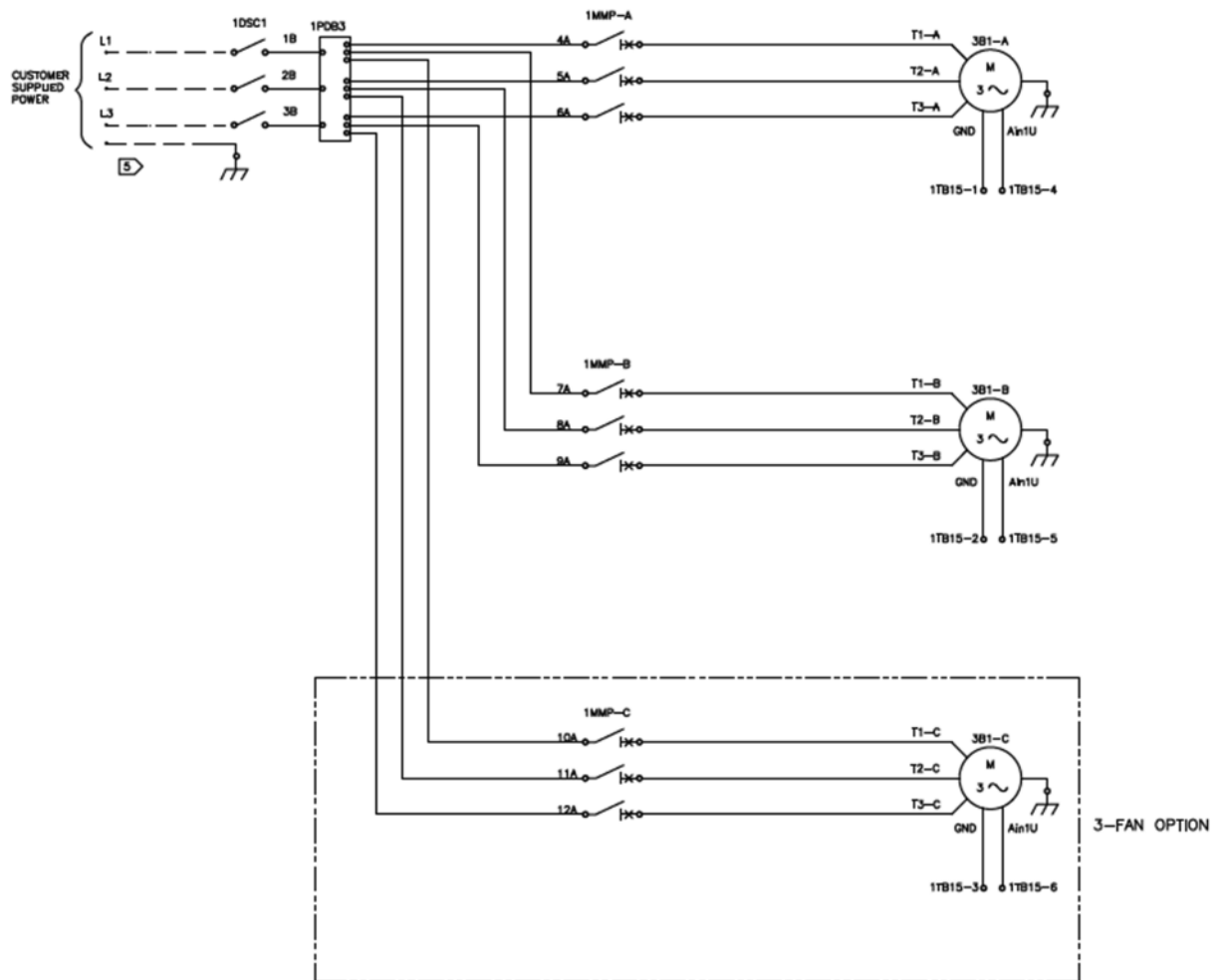


Figure 158. Typical schematic for TCACS

NOTE: DASHED LINES INDICATE CUSTOMER OR FIELD INSTALLED WIRING.

6 FUSE 1F1 SHALL BE 250V RATED, FAST ACTING AND 0.25 AMPS

7 FUSE 1F2 SHALL BE 250V RATED, FAST ACTING AND 0.6 AMPS

8 MAXIMUM NUMBER OF INTERLOCK SWITCHES SHOWN. UNIT MAY REQUIRE LESS. JUMPERS ARE PRE-INSTALLED. REMOVE JUMPER FOR EACH INTERLOCK SWITCH INSTALLED

LEGEND	
DESIGNATION	DESCRIPTION
1DSC1	DISCONNECT, 600V LOCKABLE, NON-FUSED
1F46	FUSE, 600V, CLASS J
1F47	FUSE, 600V, CLASS J
1T1	TRANSFORMER, LINE VOLTAGE TO 120V
1TB1, 1TB2	DISTRIBUTION BLOCK, 115 AMP
1K60	INTERLOCKING CONTACTOR
1CB1 TO 5	CIRCUIT BREAKER, 240V 1 POLE 15A
1F1	FUSE, 250V, 25" X 1.25", FAST ACTING
1F2	FUSE, 250V, 25" X 1.25", FAST ACTING
1K80	INTERLOCKING PILOT RELAY
1T2	TRANSFORMER, 120V TO 24V
1TB20	INTERLOCK SWITCH/GND TERMINAL BLOCK
DSW	DOOR INTERLOCK SWITCH
1TB21	TERMINAL BLOCK
W50	JUMPER, FIELD INSTALLED INTERLOCK

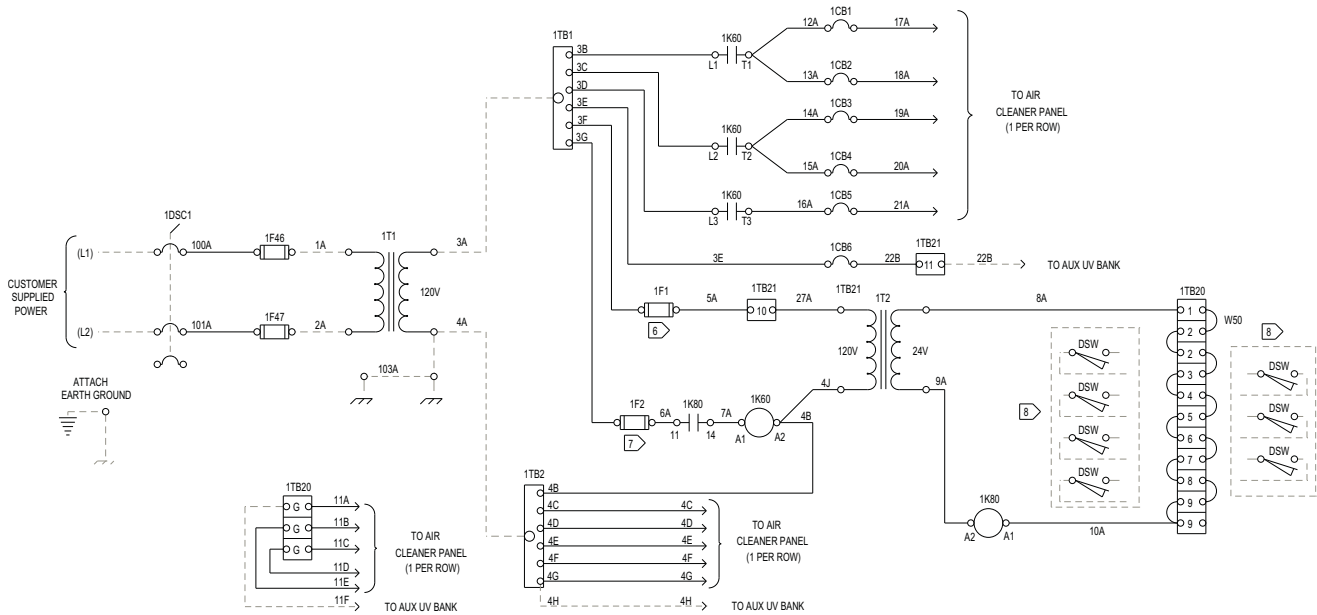
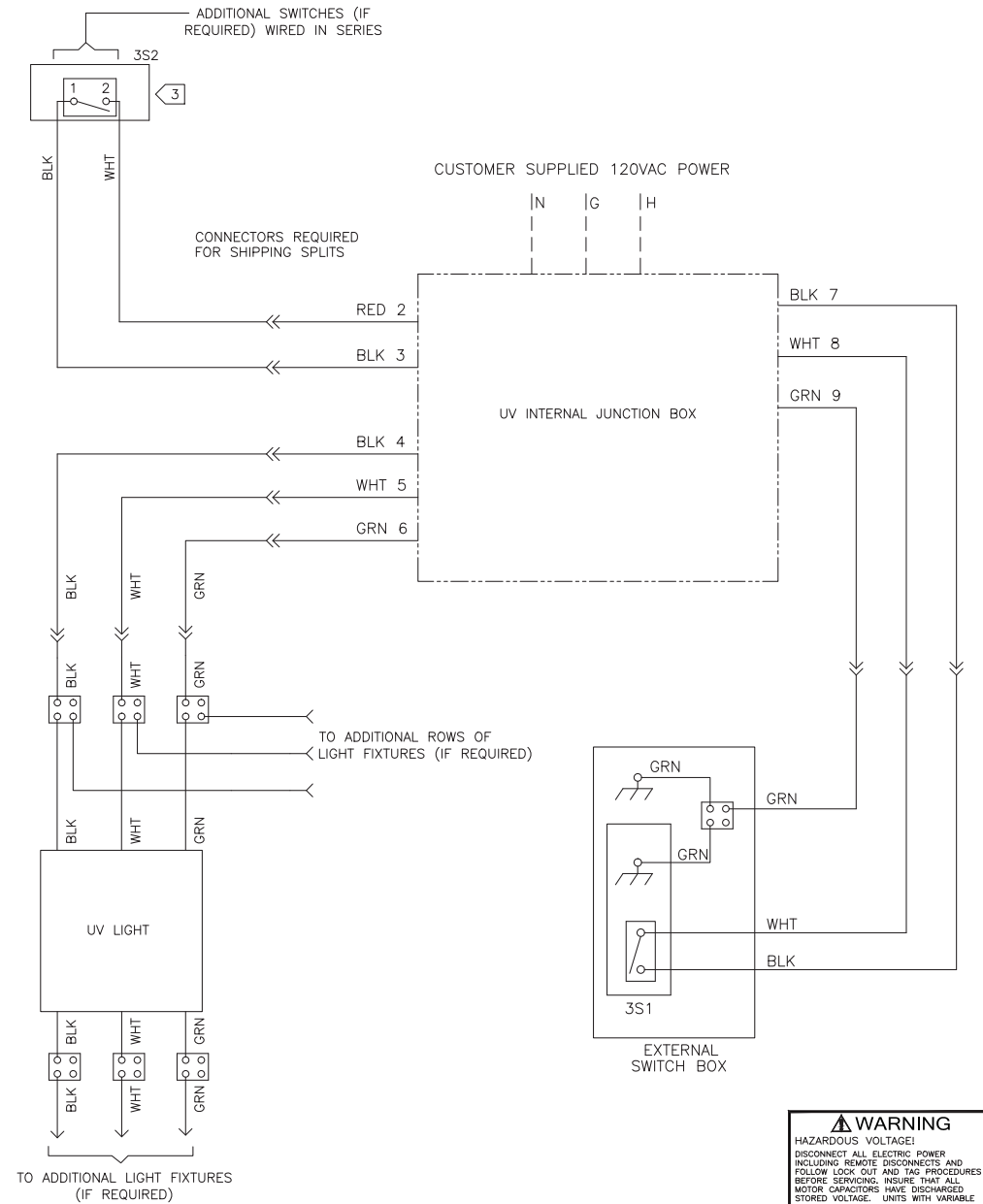


Figure 159. UV lights schematic



LEGEND	
DEVICE DESIGNATION	DESCRIPTION
3S1	MAIN EXTERNAL UV LIGHT SWITCH
3S2	DOOR KILL SWITCH FOR UV LIGHTS

NOTES:

- 1 DASHED LINES INDICATE RECOMMENDED FIELD WIRING BY OTHERS.
- 2 ALL FIELD WIRING MUST BE IN ACCORDANCE WITH THE NATIONAL ELECTRICAL CODE (NEC), STATE AND LOCAL REQUIREMENTS. OTHER COUNTRIES APPLICABLE NATIONAL AND/OR LOCAL REQUIREMENTS SHALL APPLY. FIELD CONDUCTORS SHALL HAVE INSULATION RATING NOT LESS THAN 600V.
- 3 SWITCH CLOSES WHEN ACCESS DOORS ARE SHUT.
- 4 UV LAMPS WILL NEED TO BE INSTALLED IN LAMP FIXTURES BEFORE UNIT START UP.
- 5 UV LAMPS WILL NOT REMOVE AIRBORNE CONTAMINANTS. LAMPS ARE DESIGNED TO CONTROL MICROBIAL GROWTH ON COIL AND DRAIN PAN SURFACES. DO NOT CYCLE LAMPS OFF AND ON. REPLACE LAMPS ONCE PER YEAR.

WARNING
HAZARDOUS VOLTAGE!
DISCONNECT ALL ELECTRIC POWER INCLUDING REMOTE DISCONNECTS AND FOLLOW LOCK OUT AND TAG PROCEDURES BEFORE SERVICING. INSURE THAT ALL MOTOR CAPACITORS HAVE DISCHARGED STORED VOLTAGE. UNITS WITH VARIABLE SPEED DRIVE, REFER TO DRIVE INSTRUCTIONS FOR CAPACITOR DISCHARGE. FAILURE TO DO THE ABOVE BEFORE SERVICING COULD RESULT IN DEATH OR SERIOUS INJURY.

AVERTISSEMENT
TENSION DANGEREUSE!
COUPER TOUTES LES TENSIONS ET OUVRIER LES SECTIONNEURS A DISTANCE. PUIS SUIVRE LES PROCEDURES DE VERROUILLAGE ET DES ETIQUETTES AVANT TOUTE INTERVENTION. VERIFIER QUE TOUTS LES CONDENSATEURS DES MOTEURS SONT DECHARGES. DANS LE CAS D'UNITES COMPORTANT DES ENTRAÎNEMENTS A VITESSE VARIABLE, SE REPORTER AUX INSTRUCTIONS DE L'ENTRAÎNEMENT POUR DECHARGER LES CONDENSATEURS. NE PAS RESPECTER CES MESURES DE PRECAUTION PEUT ENTRAINER DES BLESSURES GRAVES POUVANT ETRE MORTELLES.

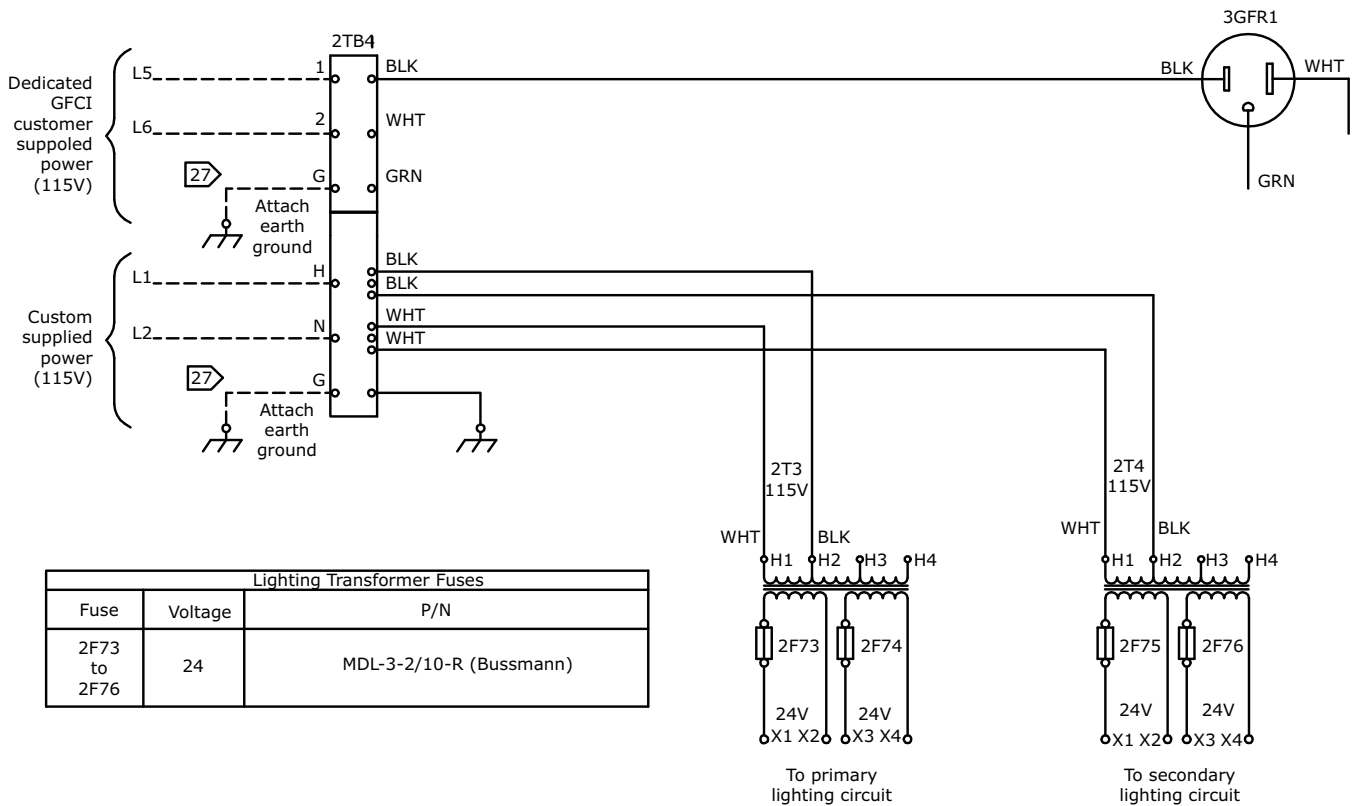
CAUTION
USE COPPER CONDUCTORS ONLY!
UNIT TERMINALS ARE NOT DESIGNED TO ACCEPT OTHER TYPES OF CONDUCTORS.
FAILURE TO DO SO MAY CAUSE DAMAGE TO THE EQUIPMENT.

ATTENTION
N'UTILISER QUE DES CONDUCTEURS EN CUIVRE!
LES BORNES DE L'UNITÉ NE SONT PAS CONÇUES POUR RECEVOIR D'AUTRES TYPES DE CONDUCTEURS.
L'UTILISATION DE TOUT AUTRE CONDUCTEUR PEUT ENDOMMAGER L'EQUIPEMENT.

PRECAUCIÓN
UTILICE ÚNICAMENTE CONDUCTORES DE COBRE!
LAS TERMINALES DE LA UNIDAD NO ESTÁN DISEÑADAS PARA ACEPTAR OTROS TIPOS DE CONDUCTORES.
SI NO LO HACE, PUEDE OCASIONAR DAÑO AL EQUIPO.

ADVERTENCIA
¡VOLTAJE PELIGROSO!
DESCONECTE TODA LA ENERGÍA ELÉCTRICA, INCLUIDO LAS DESCONEXIONES REMOTAS Y SIGA LOS PROCEDIMIENTOS DE CIERRE Y ETIQUETADO ANTES DE PROCEDER AL SERVICIO. ASEGURESE DE QUE TODOS LOS CAPACITORES DEL MOTOR HAYAN DESCARGADO EL VOLTAJE ALMACENADO. PARA LAS UNIDADES CON EJE DE DIRECCIÓN DE VELOCIDAD VARIABLE, CONSULTE LAS INSTRUCCIONES PARA LA DESCARGA DEL CONDENSADOR.
EL NO REALIZAR LO ANTERIORMENTE INDICADO, PODRÍA OCASIONAR LA MUERTE O SERIAS LESIONES PERSONALES.

Figure 160. Typical schematic for customer-supplied power for GFCI and lights/switch



Lighting Transformer Fuses		
Fuse	Voltage	P/N
2F73 to 2F76	24	MDL-3-2/10-R (Bussmann)

Legend	
Device Designation	Description
2TP4	Terminal block GFCI/lighting circuits
2T3	Primary lighting transformer
2T4	Secondary lighting transformer
3GFR1	Ground fault receptacle

Device Prefix Location Code	
Area	Location
1	High voltage panel
2	Low voltage panel (unit schematic)
3	Air handler section

- Notes:
- Dashed lines indicate recommended field wiring by others. Phantom lines indicate control options. Ref. Control panel schematic for specific detail.
 - All field wiring must be in accordance with the National Electrical Code (NEC), state and local requirements. Other countries applicable national and/or local requirements shall apply. Field conductors shall have insulation rating not less than 600V copper conductors only.
 - The minimum circuit ampacity, the maximum fuse size, and disconnect size are calculated based on the inverter input line currents per Article 430-2 of the National Electrical Code.

Attach ground or equipment ground.



Controls Interface

The portable operator display is used for temporary connection to and operation of Trane UC600 controller. With the portable operator display, you can monitor data, change setpoints, monitor alarms, and override points. The portable operator display includes a 10 ft (3 m) cable with connector that is stored in the storage compartment of the carrying bag. The cable cannot be disconnected from the operator display. Keep this document with the portable operator display for access to calibration and cleaning instructions.

Note: The portable operator display is not used for timeclock scheduling. To provide scheduling you must use a Tracer Summit system.

NOTICE

UV Damage!
Avoid damage to display by installing it out of direct sunlight.

Connecting the Operator Display

To connect the portable operator display:

1. Locate the factory-provided service module (see [Figure 161](#)).
2. Attach the operator-display cable to the operator-display connector on the service module. The operator display receives power from the controller and turns on automatically when it is connected.

Figure 161. Service module



NOTICE

Water Damage!
Spraying water or cleaner directly on the screen could result in equipment damage. To clean the operator display, use a cloth dampened with commercial liquid glass cleaner.

Calibrating the Operator Display

This section shows how to calibrate the operator display touch screen and how to adjust the brightness and contrast. To set up the operator display screens and security, see the *Tracer TD7 Display for the Tracer UC600 Programmable Controller Installation, Operation, and Maintenance* guide (BAS-SVX50C-EN).

To calibrate the operator display:

1. On the home screen, press Setup. The Setup menu appears.
2. Page down to view the next screen.
3. Press Calibrate Touch Screen. A calibration screen appears.

NOTICE

Equipment Damage!
Do not allow the operator display to come in contact with sharp objects. This could result in equipment damage.

4. Touch the target using a small, pliable, blunt object, such as a pencil eraser or your finger. Hold until the beeping stops. A second calibration screen appears.
5. Again, touch the target with the object. Hold until the beeping stops. The Advanced Selection screen appears.
6. Press Home. The home screen appears.



Controls Interface

Adjusting Brightness and Contrast

To adjust the brightness and contrast of the operator display:

1. On the home screen, press Setup. The Setup menu appears.
2. Page down to view the next screen.
3. Press the Adjust Brightness and Contrast buttons. The Brightness and Contrast screen appears.
4. To increase the brightness, press the buttons along the top row, in sequence, from left to right. To decrease the brightness, press the buttons from right to left.

Note: Contrast adjustment is not available on all computer display models.

5. To increase the contrast, press the buttons along the bottom row, in sequence, from left to right. To decrease the contrast, press the buttons from right to left.
6. Press Home. The home screen appears.

External Communications Port

Units with a factory-provided DDC controller can include a service module (see [Figure 161](#)) with an external communications port when purchased. Both the operator display and Rover service tool can be connected without shutting off the unit through the external communications port. Open the cover plate on the service module and plug into the RJ-11 port for the operator display or the RS 485 port for the Rover service tool. This enables continuous operation of the air handler without disruption to the operating conditions of the unit. When servicing of the unit is complete, close the cover plate on the service module to eliminate any air leakage path.



Start-Up

Pre-Startup Checklist

Complete this checklist after installing the unit to verify all recommended installation procedures are complete before unit startup. This does not replace the detailed instructions in the appropriate sections of this manual. Disconnect electrical power before performing this checklist. Always read the entire section carefully to become familiar with the procedures.

⚠ WARNING

Hazardous Voltage w/Capacitors!

Failure to disconnect power and discharge capacitors before servicing could result in death or serious injury. Disconnect all electric power, including remote disconnects and discharge all motor start/run capacitors before servicing. Follow proper lockout/tagout procedures to ensure the power cannot be inadvertently energized. For variable frequency drives or other energy storing components provided by Trane or others, refer to the appropriate manufacturer's literature for allowable waiting periods for discharge of capacitors. Verify with an appropriate voltmeter that all capacitors have discharged.

For additional information regarding the safe discharge of capacitors, see PROD-SVB06-EN*

General Checks

- Ensure the unit has been installed level.
- Ensure supply-air and return-air ducts have been connected.
- Ensure damper operator motors and connecting linkage have been installed.
- Verify damper operation and linkage alignment.
- Check that air filters are in place and positioned properly.
- Remove any debris from the unit interior.
- Remove all foreign material from the drain pan and check drain pan opening and condensate line for obstructions.
- Close and secure all unit access doors.
- If differential pressure switch is provided on filter rack, adjust per system requirements.
- Inspect electrical connections to the unit and unit controllers.
 - Connections should be clean and secure.
 - Compare the actual wiring with the unit diagrams.
 - Reference the appropriate controller manual for more details about starting units with factory-mounted controls.

- Check piping and valves for leaks. Open or close the valves to check for proper operation. Drain lines should be open.
- Leave this manual with the unit.

Fan-Related Checks

- If the unit is *not* externally isolated, ensure that the fan isolator tie-down bolts have been removed. See "[Fan Isolation](#)," p. 73 for more information.
- Rotate all fan wheels manually to confirm they turn freely in the proper direction.
- Check fan shaft bearings, fan wheel, and drive sheave set screws for proper torque settings (see [Table 41](#), p. 132).
 - Fan sheaves should be tight and aligned.
- Check fan drive belt tension. See "[Tension the Fan Belt](#)," p. 130.
- Inspect fan motor and bearings for proper lubrication, if necessary. See "[Fan Bearing Lubrication](#)," p. 161.

Coil-Related Checks

NOTICE

Proper Water Treatment!

The use of untreated or improperly treated water in coils could result in scaling, erosion, corrosion, algae or slime. It is recommended that the services of a qualified water treatment specialist be engaged to determine what water treatment, if any, is required. Trane assumes no responsibility for equipment failures which result from untreated or improperly treated water, or saline or brackish water.

- Ensure coil and condensate drain piping connections are complete.
- Check the piping and valves for leaks.
 - Open or close the valves to check operation.
 - The drain lines should be open.
- If unit has a refrigerant coil, ensure that it has been charged and leak-tested according to the instructions provided with the condenser equipment. Adjust the superheat setting.
- Remove all foreign material from the drain pan and check the pan opening and condensate line for obstructions.
- For steam coils, slowly turn the steam on full for at least 10 minutes before opening the fresh air intake on units with fresh air dampers.

Motor-Related Checks

- Locate installation manual from the motor manufacturer for the specific motor installed. This can be found by contacting the motor manufacturer's representative. The motor manufacturer's recommendations take precedence for all matters related to the start-up and routine maintenance of the motor.
- Check the motor lubrication for moisture and rust.
 - Remove and clean grease plugs to inspect.
 - If moisture is present, consult an authorized repair shop for bearing inspection/replacement. This may require removal and transport of motor.
 - If no moisture is present, refer to the motor manufacturer's lubrication recommendations for proper lubrication.
 - The motor manufacturer may recommend lubricating the motor as part of their routine start-up instructions.
- Check motor winding. An acceptable winding resistance reading is from 6 meg-ohms to infinity. If reading is less than 5 mega-ohms, the winding should be dried out in an oven or by a blower.
- Inspect the entire motor for rust and corrosion.
- Bump-start the unit and confirm the fan wheel rotates properly, as indicated by the rotation arrow located on the fan housing.

Note: For motor warranty needs, contact your local Trane sales office.

Unit Operation

⚠ WARNING

Rotating Components!

Failure to follow all safety precautions could result in rotating components cutting and slashing technician which could result in death or serious injury. During installation, testing, servicing and troubleshooting of this product it may be necessary to work with live and exposed rotating components. Have a qualified or licensed service individual who has been properly trained in handling exposed rotating components, perform these tasks.

⚠ WARNING

Live Electrical Components!

Failure to follow all electrical safety precautions when exposed to live electrical components could result in death or serious injury. During installation, testing, servicing and troubleshooting of this product, it may be necessary to work with live electrical components. Have a qualified licensed electrician or other individual who has been properly trained in handling live electrical components perform these tasks.

Before complete start-up, bump-start the unit and confirm the fan wheel rotates properly, as indicated by the rotation arrow located on the fan housing.

After initial startup:

- Calculate the motor voltage imbalance, notifying the power company to correct unacceptable imbalances.
- Periodically check the fan belt tension.

Calculate Motor Voltage Imbalance

After startup, measure the motor voltage and amperage on all phases to ensure proper operation. The readings should fall within the range given on the motor nameplate. The maximum allowable voltage imbalance is 2 percent.

Voltage imbalance is defined as 100 times the sum of the deviation of the three voltages from the average, divided by twice the average voltage. For example, if the three measured voltages are 221, 230 and 227, the average voltage would be 226 volts. The percent of voltage imbalance is then calculated.

$$\text{Voltage imbalance} = \frac{100A}{2 \times \text{AvgVoltage}}$$

where:

$$A = (226-221) + (230-226) + (227-226)$$

$$\text{Voltage imbalance} = 2.2\% \text{ (not acceptable)}$$

In the example, 2.2 percent imbalance is not acceptable and the power company should be notified to correct it.

VFD Programming Parameters

Units shipped with an optional variable frequency drive (VFD) are preset and run-tested at the Trane factory. If a problem with a VFD occurs, ensure that the programmed parameters listed in [Table 39](#) have been set. If trouble still persist after verifying factory parameters are correct, call Trane Drive Technical Support at 1-877-872-6363. Have the unit serial number from the drive available for the technical support representative. The technician will determine if drive can be repaired or needs to be replaced. TR150 startup check list available on the HUB - DOC-116469.

Table 38. Trane TR150 Switching Frequency

Horsepower	Voltage	Max KHz	Trane Setting
0.5 - 15	208/230	16	16
20-60	208/230	12	12
0.5 - 30	460	16	16
40 - 125	460	12	12
0.5 - 10	575	12	12
15 - 125	575	8	8

⚠ WARNING

Hazardous Voltage w/Capacitors!

Failure to disconnect power and discharge capacitors before servicing could result in death or serious injury. Disconnect all electric power, including remote disconnects and discharge all motor start/run capacitors before servicing. Follow proper lockout/tagout procedures to ensure the power cannot be inadvertently energized. For variable frequency drives or other energy storing components provided by Trane or others, refer to the appropriate manufacturer's literature for allowable waiting periods for discharge of capacitors. Verify with an appropriate voltmeter that all capacitors have discharged.

For additional information regarding the safe discharge of capacitors, see PROD-SVB06-EN*

Table 39. Trane TR150 VFD Programming Parameters

Parameter # TR150	Description	Factory Default	Trane Setting
0-03	Region	International	North American
1-03	Torque Characteristics	Auto Energy Optim. VT	Auto Energy Optim. VT [3]for Belt-Drive Fans Variable Torque [1]for Direct-Drive Fans
1-20	Motor Power	Depends on unit	Set Based on Motor Nameplate
1-22	Motor Voltage	Depends on unit	Set Based on Motor Nameplate
1-24	Motor Current	Depends on unit	Set Based on Motor Nameplate
1-25	Rated Motor Speed	Depends on unit	Set Based on Motor Nameplate
1-71	Start Delay	0.0 Sec	2 Sec
1-73	Flying Start	Disabled	Enable
1-90	Motor Thermal Protection	ETR Trip 1 [4]	ETR Trip 1 [4]
3-02	Minimum Reference	Application dependant	0 Hz
3-03	Maximum Reference	60Hz	60 or the Value of Maximum Inverter Frequency (Hz) on nameplate if fan is direct drive.
3-15	Terminal 53 Analog Input	Analog Input 53	Analog Input 53
3-41	Ramp-up Time	Application dependant	30 Sec
3-42	Ramp-down Time	Application dependant	30 Sec
4-12	Output Freq Low Limit	Application dependant	20 Hz
4-14	Output Freq High Limit	60 or the Value of Maximum Inverter Frequency (Hz) on nameplate if fan is direct drive.	60 or the Value of Maximum Inverter Frequency (Hz) on nameplate if fan is direct drive.
4-18	Current Limit	Application dependant	110%
4-19	Max Output Frequency	Application dependant	65 Hz or 120 Hz for Direct Drive Fan
5-12	Terminal 27 Digital Input	No Operation	Coast Inverse
5-40	Function Relay	No Operation	Relay 1 Active No Alarm [160] Relay 2 Active Motor Running [5]
6-14	Terminal 53 Low Ref Feedback	0.0 Hz	20 Hz
6-15	Terminal 53 High Ref Feedback	Application dependant	60 or the Value of Maximum Inverter Frequency (Hz) on Nameplate if fan is direct drive.
14-01	Switching Frequency	5.0 kHz	Set to Max for HP (see Table 38)
14-20	Reset Mode	Manual Reset	Automatic Reset x 5

Tension the Fan Belt

NOTICE

Belt Tension!

Excessive belt tension will reduce fan and motor bearing life, accelerate belt wear and possibly cause shaft failure. Do not over-tension belts. Under tensioning belts is the primary cause of premature belt failure. Belts should not squeal at startup. Recheck belt tension after 8 hours, 24 hours, and 100 hours of operation and monthly thereafter.

Proper belt tension is required to ensure maximum bearing and drive component life and is based on motor horsepower requirement. A label located on the bearing support on the drive side of the unit lists all drive parts, the proper belt tension, and deflection for that tension for the specific drive (Figure 162).

If the drive is changed from the original, proper belt tension can be estimated using Table 40.

The correct operation tension for a V-belt drive is the lowest tension at which the belts will not slip under the peak load conditions. It may be necessary, however, to increase the tension of some drives to reduce excessive belt flopping or to reduce excessive startup squealing.

Figure 162. Tension drive belt label

	V-BELT DRIVE KIT	1627373
	MODULE 0400	
PURCHASE ORD. NUMBER B24597-061 H5D073B A		
CUSTOMER'S KIT # H5D073B A-012-0400		
MTR HP. = 10.0		
FAN RPM = 1458 CD = 9.4 AT 3.00 TRN OPN		
TENSION INFO - 3.86 LB., 0.14 IN.		
DRIVE'S BELTS - B40		
MOTOR SHEAVE - 2VP75X 1 3/8		
MOTOR BUSHING - NONE REQUIRED		
FAN SHEAVE - 2B5V80		
FAN BUSHING - B 1 7/16		

Check the fan belt tension at least three times during the first days of operation because there is a rapid decrease in tension until the belt settles in. To measure belt tension, use a belt tensiometer (see Figure 163). Determine actual deflection by depressing one belt with the belt tensiometer and measuring the deflection relative to the other belts or to belt line (see Figure 164). Adjust the belt tension to the correct pounds force and tighten all bolts to the proper torque. See Table 53, p. 161.

Figure 163. Belt tensiometer

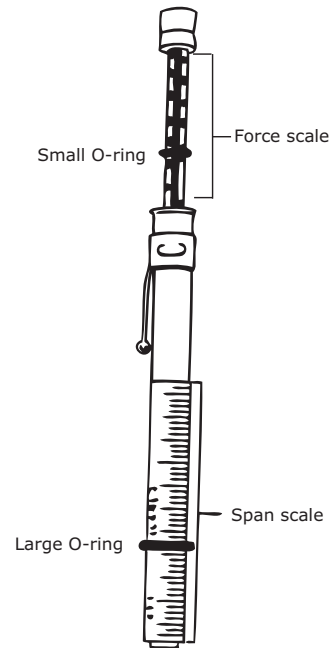


Figure 164. Belt tension measurement

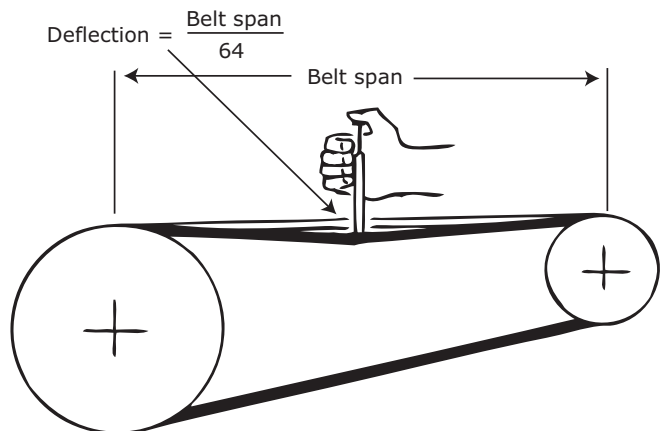


Table 40. Typical sheave diameter and deflection force

Cross section	Smallest sheave diameter range (in.)	Speed (rpm) range	Belt Deflection Force (lbs)			
			Super gripbelts and unnotched gripbands		Gripnotch belts and notched gripbands	
			Used belt	New belt	Used belt	New belt
A, AX	3.0–3.6	1,000–2,500	3.70	5.50	4.10	6.40
		2,501–4,000	2.80	4.20	3.40	5.00
	3.8–4.8	1,000–2,500	4.50	6.80	5.00	7.40
		2,501–4,000	3.80	5.70	4.30	6.40
	5.0–7.0	1,000–2,500	5.40	8.00	5.70	9.40
		2,501–4,000	4.70	7.00	5.10	7.60
B, BX	3.4–4.2	860–2,500	n/a	n/a	4.90	7.20
		2,501–4,000	n/a	n/a	4.20	6.20
	4.4–5.6	860–2,500	5.30	7.90	7.10	10.50
		2,501–4,000	4.50	6.70	7.10	9.10
	5.8–8.6	860–2,500	6.30	9.40	8.50	12.60
		2,501–4,000	6.00	8.90	7.30	10.90
C, CX	7.0–9.0	500–1,740	11.50	17.00	14.70	21.80
		1,741–3,000	9.40	13.80	11.90	17.50
	9.5–16.0	500–1,740	14.10	21.00	15.90	23.50
		1,741–3,000	12.50	18.50	14.60	21.60
D	12.0–16.0	200–850	24.90	37.00	n/a	n/a
		851–1,500	21.20	31.30	n/a	n/a
	18.0–20.0	200–850	30.40	45.20	n/a	n/a
		851–1,500	25.60	38.00	n/a	n/a
3V, 3VX	2.2–2.4	1,000–2,500	n/a	n/a	3.30	4.90
		2,501–4,000	n/a	n/a	2.90	4.30
	2.65–3.65	1,000–2,500	3.60	5.10	4.20	6.20
		2,501–4,000	3.00	4.40	3.80	5.60
	4.12–6.90	1,000–2,500	4.90	7.30	5.30	7.90
		2,501–4,000	4.40	6.60	4.90	7.30
5V, 5VX	4.4–6.7	500–1,749	n/a	n/a	10.20	15.20
		1,750–3,000	n/a	n/a	8.80	13.20
		3,001–4,000	n/a	n/a	5.60	8.50
	7.1–10.9	500–1,749	12.70	18.90	14.80	22.10
		1,750–3,000	11.20	16.70	13.70	20.10
	11.8–16.0	500–1,749	15.50	23.40	17.10	25.50
1,750–3,000		14.60	21.80	16.80	25.00	
8V	12.5–17.0	200–850	33.00	49.30	n/a	n/a
		851–1,500	26.80	39.90	n/a	n/a
	18.0–22.4	200–850	39.60	59.20	n/a	n/a
		851–1,500	35.30	52.70	n/a	n/a

Determine Fan Speed

Fan speed can be determined using a strobe-type tachometer, or revolution counter.

⚠ WARNING

Live Electrical Components!

Failure to follow all safety precautions when exposed to rotating components could result in death or serious injury. During installation, testing, servicing and troubleshooting of this product, it may be necessary to measure the speed of rotating components. Have a qualified licensed service individual who has been properly trained in handling exposed rotating components perform these tasks.

Check unit vibration if the fan speed is changed more than five percent from the original designed speed, or if parts such as shafts, fan wheels, bearings, or other drive components are replaced. Do not exceed the maximum fan speed.

Pay particular attention to any vibration, noise, or overheating of the motor and fan bearings; however, note that bearings may run warm during break in.

Align Fan and Motor Sheaves

Align the fan and motor sheaves using a straightedge. The straightedge must be long enough to span the distance between the outside edges of the sheaves. When the sheaves are aligned, the straightedge will touch both sheaves at points A through D (see Figure 165) to confirm the shaft is parallel. For uneven width sheaves, place a string in the center groove of both sheaves and pull tight. Adjust the sheaves and tighten the sheave set screws to the proper torque given in Table 41.

Check Multiple Belts

Tighten the belts slightly and rotate the drive several times.

On multiple belt drives, ensure the force of deflection is approximately the same on each belt by pushing each belt in an equal distance at a point halfway from each sheave (see Figure 165). If this force is not the same for each belt, the motor and fan shaft are not parallel. Realign as required. After realignment, tighten the belts again to the standard belt tensioning specifications. If the force is still not the same for all belts, the belts or sheaves are worn and must be replaced.

Figure 165. Proper drive alignment

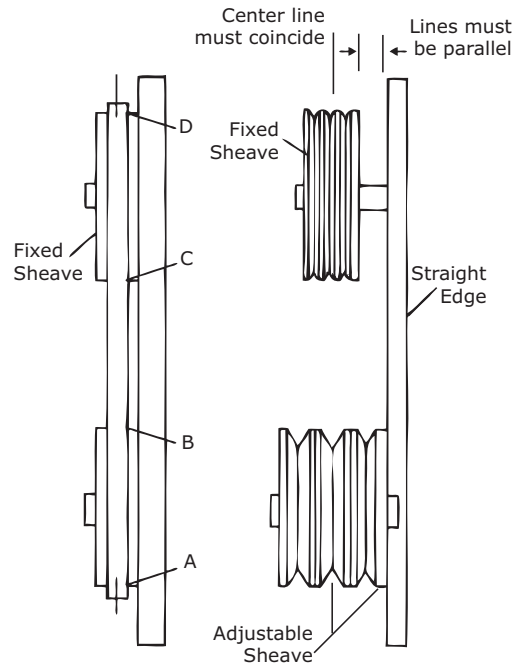


Table 41. Set screw torque settings (inches)

Screw Size	Hex Key	Square Head	Hex Head	Torque (in.-lb.)	Torque (ft.-lb.)
1/4	1/8	3/8	7/16	66-90	5.5-7.5
5/16	5/32	1/2	1/2	126-164	10.5-13.7
3/8	3/16	9/16	9/16	228-300	19.0-25.0
7/15	7/32	5/8	5/8	348-450	29.0-37.5
1/2	1/4	3/4	3/4	504-650	42.0-54.2
5/8	5/16	15/16	15/16	1290-1390	107.0-116.0
#10	3/32	-	-	28-40	2.3-3.3

Airflow Measuring Systems

Traq™ Dampers

Traq dampers are low-leak dampers that modulate and measure airflow. Each Traq damper section is supplied with a factory-mounted ventilation control module (VCM) on the interior of the mixing box section. The VCM has an input terminal for power and an output terminal for air velocity (see Figure 166). A direct-digital controller controls the factory-mounted and wired actuators.

Figure 166. Traq damper terminal connections

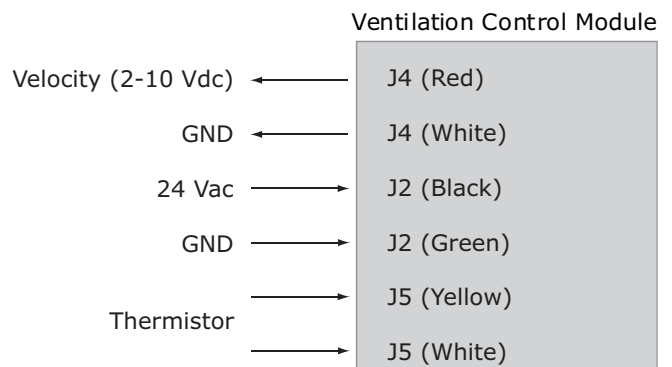
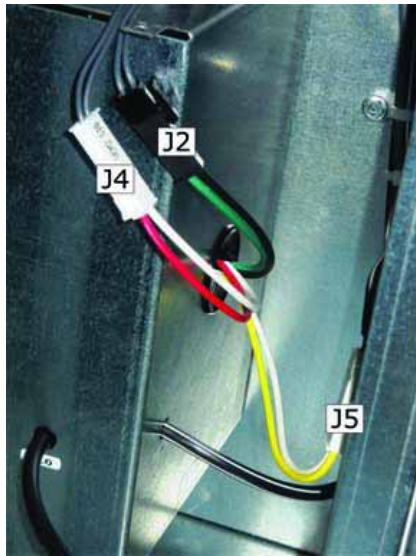


Figure 167. Traq damper terminal connections



VCM (Transducer) Calibration. The VCM has an auto-zero function that recalibrates the transducer once every minute. When troubleshooting, allow for the recalibration time before making any measurements.

Input Power. The only input the VCM needs is the 24 Vac power connected to the J2 plug (green and black wires).

Output Velocity Signal. The 2 to 10 Vdc linear output signal from the VCM represents air velocity. This voltage can be converted to represent airflow (cfm or L/s) using the formula below and Table 42.

$$\text{Airflow} = k (\text{cfm @ 10V}) \left[\frac{(\text{volts} - 2)}{8} \right]$$

or

$$\text{Airflow} = k (\text{L/s @ 10V}) \left[\frac{(\text{volts} - 2)}{8} \right]$$

For example, if the VCM on a size 30 air handler at sea level ($k=1$) has a 10-volt signal, it would represent 24,492 cfm (11,559 L/s) through the Traq damper. If the voltage were 6 volts, airflow through the Traq damper would be 12,246 cfm (5779 L/s).

Table 42. Altitude adjustment factors

Sea level = 1.0	
Elevation (feet)	k
1000	0.982
2000	0.964
3000	0.949
4000	0.930
5000	0.914
6000	0.897
7000	0.876
8000	0.860
9000	0.846
10,000	0.825

In Table 43 through Figure 50, the cfm at 10Vdc is a calculated value based on area and peak velocity. In certain situations, it can be advantageous to raise the velocity of air through the remaining Traq dampers by closing off one or more dampers in the unit. The cfm at 10Vdc can be recalculated based on the proportion of remaining Traq dampers or by multiplying the remaining area of dampers by peak velocity. Calculations are based on VCM voltage versus airflow at sea level. Setup details are available on the HUB - DOC-106531.

Table 43. Back or top inlet standard Traq damper-air mixing and indoor economizer section

Unit Size	Part Number	Traq Damper Size (inches)	Quantity	Peak Velocity (fpm)	Total Area (ft ²)	CFM @ 10VDC Peak Velocity	L/s @ 10VDC Peak Velocity
3	495100860001	13	1	2475	0.92	2279	1076
4, 6	495100860001	13	2	2475	1.84	4559	2151
8, 10	495100860001	13	3	2475	2.76	6838	3227
12, 14, 17	495100870001	16	3	2475	4.19	10,365	4891
21, 25	495100890001	20	3	2600	6.54	17,012	8028
30, 35, 40	495100880001	24	3	2600	9.42	24,492	11,558
50, 57	495100900001	28	3	2600	12.83	33,358	15,742
66	495100900001	28	4	2600	17.10	44,460	20,981
80	495100900001	28	5	2600	21.38	55,588	26,232
100, 120	495100900001	28	6	2600	25.66	66,716	31,483



Start-Up

Table 44. Back or top inlet low-flow Traq damper-air mixing and indoor economizer sections

Unit Size	Part Number	Traq Damper Size (in)	Damper Type	Qty	Peak Velocity (fpm)	Total Area (ft ²)	CFM @ 10VDC Peak Velocity	L/s @ 10VDC Peak Velocity
6	495100860001	13	Min. Outside Air	1	2475	0.92	2279	1076
8, 10	495100860001	13	Min. Outside Air	1	2475	0.92	2279	1076
12, 14, 17	495100870001	16	Min. Outside Air	1	2475	1.40	3455	1630
21, 25	495100890001	20	Min. Outside Air	1	2600	2.18	5671	2676
30, 35, 40	495100880001	24	Min. Outside Air	1	2600	3.14	8164	3853
50, 57	495100900001	28	Min. Outside Air	1	2600	4.27	11,112	5244
66	495100900001	28	Min. Outside Air	1	2600	4.27	11,112	5244
80	495100900001	28	Min. Outside Air	2	2600	8.54	22,224	10,488
100	495100900001	28	Min. Outside Air	2	2600	8.54	22,224	10,488
120	495100900001	28	Min. Outside Air	2	2600	8.54	22,224	10,488

Table 45. Mixing box Traq damper inlet - single-side standard flow

Unit size	Part number	Traq damper size (in)	Qty	Peak velocity (fpm)	Total area (ft ²)	CFM@10VDC peak velocity	L/s@ 10VDC peak velocity
3, 4, 6, 8	495100860001	13	1	2475	0.92	2279	1076
10, 12	495100870001	16	1	2475	1.40	3455	1631
14, 17	495100860001	13	2	2475	1.84	4559	2152
21, 25	495100870001	16	2	2475	2.79	6910	3262
30, 35, 40	495100890001	20	2	2600	4.36	11,341	5354
50, 57, 66	495100880001	24	2	2600	6.28	16,328	7708
80	495100900001	28	2	2600	8.59	22,225	10,492
100	495100900001	28	3	2600	12.82	33,337	15,738
120	495100880001	24	4	2600	12.56	32,656	15,417

Table 46. Mixing box Traq damper inlet - single-side low flow

Unit size	Part number	Traq damper size (in)	Damper type	Qty	Peak velocity (fpm)	Total area (ft ²)	CFM@10VDC peak velocity	L/s@ 10VDC peak velocity
14, 17	495100860001	13	Min. Outside Air	1	2475	0.92	2279	1076
21, 25	495100870001	16	Min. Outside Air	1	2475	1.40	3455	1631
30, 35, 40	495100890001	20	Min. Outside Air	1	2600	2.18	5671	2677
50, 57, 66	495100880001	24	Min. Outside Air	1	2600	3.14	8164	3854
80	495100900001	28	Min. Outside Air	1	2600	4.27	11,112	5246
100	495100900001	28	Min. Outside Air	1	2600	4.27	11,112	5246
120	495100880001	24	Min. Outside Air	1	2600	3.14	8164	3854

Table 47. Mixing box Traq damper inlet - dual-side standard flow

Unit size	Part number	Traq damper size (in)	Qty	Peak velocity (fpm)	Total area (ft ²)	CFM@10VDC peak velocity	L/s@ 10VDC peak velocity
3, 4, 6, 8	495100860001	13	2	2475	1.84	4559	2152
10, 12	495100870001	16	2	2475	2.79	6910	3262
14, 17	495100860001	13	4	2475	3.68	9118	4305
21, 25	495100870001	16	4	2475	5.58	13,820	6525
30, 35, 40	495100890001	20	4	2600	8.72	22,682	10,708
50, 57, 66	495100880001	24	4	2600	12.56	32,656	15,417
80	495100900001	28	4	2600	17.10	44,450	20,985
100	495100900001	28	6	2600	25.64	66,674	31,477
120	495100880001	24	8	2600	25.12	65,312	30,834

Table 48. Mixing box Traq damper inlet - dual-side low-flow

Unit size	Part number	Traq damper size (in)	Damper type	Qty	Peak velocity (fpm)	Total area (ft ²)	CFM@10VDC peak velocity	L/s@ 10VDC peak velocity
3, 4, 6, 8	495100860001	13	Min. Outside Air	1	2475	0.92	2279	1076
10, 12	495100870001	16	Min. Outside Air	1	2475	1.40	3455	1631
14, 17	495100860001	13	Min. Outside Air	1	2475	0.92	2279	1076
21, 25	495100870001	16	Min. Outside Air	1	2475	1.40	3455	1631
30, 35, 40	495100890001	20	Min. Outside Air	1	2600	2.18	5671	2677
50, 57, 66	495100880001	24	Min. Outside Air	1	2600	3.14	8164	3854
80	495100900001	28	Min. Outside Air	1	2600	4.27	11,112	5246
100	495100900001	28	Min. Outside Air	1	2600	4.27	11,112	5246
120	495100880001	24	Min. Outside Air	1	2600	3.14	8164	3854

Table 49. Side inlet standard Traq dampers - diagonal economizer section

Unit size	Part number	Traq damper size (in)	Quantity	Peak velocity (fpm)	Total area (ft ²)	CFM@10VDC peak velocity	L/s@10VDC peak velocity
3	495100860001	13	1	2475	0.92	2279	1076
4, 6, 8	495100860001	13	2	2475	1.84	4559	2151
10, 12, 14	495100870001	16	2	2475	2.79	6905	3259
17	495100860001	13	4	2475	3.68	9118	4303
21	495100890001	20	2	2600	4.36	11,341	5352
25	495100870001	16	4	2475	5.58	13,820	6522
30	495100890001	20	3	2600	6.54	17,012	8028
35, 40	495100900001	28	2	2600	8.55	22,224	10,488
50	495100880001	24	3	2600	9.42	24,492	11,558
57	495100880001	24	4	2600	12.56	32,656	15,410
66	495100900001	28	3	2600	12.82	33,336	15,731
80	495100900001	28	4	2600	17.10	44,448	20,975
100, 120	495100900001	28	5	2600	21.37	55,561	26,219

Table 50. Side inlet low-flow Traq dampers - diagonal economizer section

Unit size	Part number	Traq damper size (in)	Damper type	Qty	Peak velocity (fpm)	Total area (ft ²)	CFM@10VDC peak velocity	L/s@ 10VDC peak velocity
4	495100860001	13	Min. Outside Air	1	2475	0.92	2279	1076
6	495100860001	13	Min. Outside Air	1	2475	0.92	2279	1076
8	495100860001	13	Min. Outside Air	1	2475	0.92	2279	1076
10	495100870001	16	Min. Outside Air	1	2475	1.40	3455	1630
12	495100870001	16	Min. Outside Air	1	2475	1.40	3455	1630
14	495100870001	16	Min. Outside Air	1	2475	1.40	3455	1630
17	495100860001	13	Min. Outside Air	1	2475	0.92	2279	1076
21	495100890001	20	Min. Outside Air	1	2600	2.18	5671	2676
25	495100870001	16	Min. Outside Air	1	2475	1.40	3455	1630
30	495100890001	20	Min. Outside Air	1	2600	2.18	5671	2676
35, 40	495100900001	28	Min. Outside Air	1	2600	4.27	11,112	5244
50	495100880001	24	Min. Outside Air	1	2600	3.14	8164	3853
57	495100880001	24	Min. Outside Air	1	2600	3.14	8164	3853
66	495100900001	28	Min. Outside Air	1	2600	4.27	11,112	5244
80	495100900001	28	Min. Outside Air	1	2600	4.27	11,112	5244
100, 120	495100900001	28	Min. Outside Air	1	2600	4.27	11,112	5244

Trane utilizes AMCA certification for airflow measuring stations. Trane certifies that the Traq damper herein is licensed to bear the AMCA seal. The ratings shown are based on tests and procedures performed in accordance with AMCA Publication 611 and comply with the requirements of the AMCA Certified Ratings Program.

The certification program provides the engineer and owner assurance that manufacturer-published performance ratings for airflow measurement stations are accurate and repeatable. Trane Traq dampers are certified with the integral ventilation control module which converts differential pressure to an electronic signal for control.

Refer to Performance Climate Changer Air Handler catalog CLCH-PRC015-EN for Traq damper testing and rating information.

Fan Inlet Airflow Measuring System

A fan inlet airflow measuring system (piezometer) is available on many centrifugal and plenum fans. Trane's system determines airflow using a static pressure differential.

Note: This type of system is different than a total pressure or thermal dispersion system. As such, the calculations will be different.

Each system comes with a differential pressure transmitter. The minimum diameter is connected to the LO port of the transmitter and the reference pressure point is connected to (or actually is) the HI port of the transmitter.

Figure 168. Fan inlet airflow measuring system


Figure 169. Typical transmitter install for DDP fans



Wiring

The transmitter requires 24VDC/24VAC power on terminals 1 (+) and 2 (ground) of the transmitter. When the airflow measurement system is ordered with a factory-mounted UC600 controller, the 24 VDC power will be supplied.

In the absence of a factory-mounted UC600 controller, the installing contractor must ensure the transmitter has 24VDC/24VAC power.

Transmitter Sizing

The Trane specification requires that the flow meter option have a total accuracy of 5 percent. The total accuracy is a combination of:

- how accurately the flow meter itself is in sensing airflow
- how accurately the transmitter senses the differential pressure
- how accurately the controller translates the signal from the transmitter to a differential pressure.

Selecting the proper transmitter is critical in order to get accurate airflow measurements. How accurately the transmitter senses the differential pressure is dependent on:

- the pressure range selected
- the accuracy of the selected transmitter

Trane air handlers use a 0-5 inch, 0-10 inch, or 0-25 inch w.g. range transmitter as standard. To sufficiently cover VAV turndown on the smallest fans with the above range, a transmitter with an accuracy of 0.25 percent (full scale) is used as standard. If a field-provided transmitter with a lower accuracy is selected, the range should be chosen closer to the actual, maximum pressure differential expected for the application.

The transmitter outputs a signal that represents the differential pressure which is used to calculate airflow. To adequately calculate and display the airflow for the

smaller fans, ensure that the analog input is programmed with enough decimal places to sufficiently represent the pressure differential being measured.

Note: The transmitter is factory-calibrated to the range selected and cannot be significantly adjusted to "tighten" the range closer to the pressure being read for the given application.

Available Transmitters

- TDR00729: 0-5"
- TDR00730: 0-10"
- TDR00731: 0-25"

Transmitter Calibration

The transmitter is factory-calibrated to a specific pressure range with a 0-5 inch, 0-10 inch, or 0-25 inch w.g. range being used in most cases. To check calibration and to adjust if necessary, consult the transmitter manufacturer or the factory for specific procedures.

The transmitter outputs a linear, 2-10 VDC signal representing a differential pressure measurement. With this measurement, the airflow through the fan can be calculated using the following equation:

$$CFM = K * \text{SQRT}(DP)$$

Where:

CFM = Airflow (ft³/min.) assuming a standard air density of 0.075 lbm/ft³.

K = A constant factor that is unique for each fan. See "Constant Factor K," p. 138 for more information.

DP = Differential pressure (inches w.g.) being measured by the transmitter.

Significant differences in elevation and/or temperature will affect the density of air. For air at a constant, non-standard density, a field-obtained K factor can be used. Alternatively, the following equation can be used to continuously correct the equation above:

$$ACFM = CFM * \text{SQRT}(0.075/\rho)$$

Where:

ACFM = Actual airflow (ft³/min.) corrected for non-standard air density.

ρ = Density (lbm/ft³) of the air at the inlet to the fan.

Note: Alternative units, including SI, can be used in place of the IP units above although the K-factor must be converted appropriately.

Setup details are available on the HUB - DOC-107523.

Maintenance

For a typical HVAC environment - especially with upstream filtration - there should be little to no required maintenance. In extreme cases or for mishaps (bearing grease in the taps for example), the flow meter is easily cleanable. The fan inlet airflow measuring system is extremely simple: a few pressure taps, a few fittings, and some tubing. Although unlikely, if any tap were to get clogged, simply disconnect each side of the transmitter and blast air in a reverse direction through the system.



Constant Factor K

The constant factor K is unique for each fan and is primarily a function of the area and other geometric properties of the fan inlet. Pre-engineered factors are available from the factory for fan types where the airflow measurement system is available.

Table 51. Constant K factors

Fan Size (inches)/Type	Fan Class	Fan Name	K-Factor
9 BC	Medium Pressure	9 BA	790.00
9 BC	High Pressure	9 BB	733.60
10 BC	Medium Pressure	10 BA	1035.00
10 BC	High Pressure	10 BB	1035.00
12 AF	Low or Medium Pressure	12 AZ or 12 AA	2030.00
12 AF	High Pressure	12 AB	1943.00
15 AF	Low or Medium Pressure	15AZ or 15 AA	3320.00
15 AF	High Pressure	15 AB	3320.00
18 AF	Low or Medium Pressure	18AZ or 18 AA	4301.10
18 AF	High Pressure	18 AB	4301.10
20 AF	Medium Pressure	20 AA	5100.00
20 AF	High Pressure	20 AB	4468.30
22 AF	Medium Pressure	22 AA	6970.00
22 AF	High Pressure	22 AB	6145.10
25 AF	Medium Pressure	25 AA	9127.10
25 AF	High Pressure	25 AB	8379.90
28 AF	Medium Pressure	28 AA	11000.00
28 AF	High Pressure	28 AB	10092.00
32 AF	Medium Pressure	32 AA	14035.00
32 AF	High Pressure	32 AB	14035.00
36 AF	Medium Pressure	36 AA	18537.00
36 AF	High Pressure	36 AB	18222.80
40 AF	Medium Pressure	40 AA	22889.00
40 AF	High Pressure	40 AB	22542.20
44 AF	Medium Pressure	44 AA	28875.80
44 AF	High Pressure	44 AB	28438.30
49 AF	Medium Pressure	49 AA	36020.00
49 AF	High Pressure	49 AB	35474.30
20 FC	Low or Medium Pressure	20FZ or 20 FA	8576.00
20 FC	High Pressure	20 FB	8463.10
22 FC	Low or Medium Pressure	22FZ or 22 FA	10890.00
22 FC	High Pressure	22 FB	10543.70
25 FC	Low or Medium Pressure	25FZ or 25 FA	14795.00
25 FC	High Pressure	25 FB	14389.20
28 FC	Low or Medium Pressure	28FZ or 28 FA	17528.00
28 FC	High Pressure	28 FB	17025.80

Table 51. Constant K factors (continued)

Fan Size (inches)/Type	Fan Class	Fan Name	K-Factor
32 FC	Medium	32 FA	23880.00
32 FC	High	32 FB	23587.40
36 FC	Medium	36 FA	31600.00
36 FC	High	36 FB	31035.70
40 FC	Medium	40 FA	38242.00
40 FC	High	40 FB	37102.90
10 BC belt-drive plenum	Any	10 PA or 10 PB	491.00
11 BC belt-drive plenum	Any	11PA or 11 PB	603.30
12 AF belt-drive plenum	Any	12PA or 12 PB	1168.70
14 AF belt-drive plenum	Any	14PA or 14 PB	1536.10
16 AF belt-drive plenum	Any	16PA or 16 PB	1870.00
18 AF belt-drive plenum	Any	18PA or 18 PB	2270.70
20 AF belt-drive plenum	Any	20PA or 20 PB	2905.20
22 AF belt-drive plenum	Any	22PA or 22 PB	3673.20
25 AF belt-drive plenum	Any	25PA or 25 PB	4608.20
28 AF belt-drive plenum	Any	28 PA or 28 PB	6277.80
32 AF belt-drive plenum	Any	32 PA or 32 PB	7847.30
36 AF belt-drive plenum	Any	36 PA or 36 PB	10017.80
40 AF belt-drive plenum	Any	40 PA or 40 PB	13023.10
44 AF belt-drive plenum	Any	44 PA or 44 PB	14692.80
49 AF belt-drive plenum	Any	49 PA or 49 PB	17538.00
55 AF belt-drive plenum	Any	55 PA or 55 PB	21368.00
63 AF belt-drive plenum	Any	63 PA or 63 PB	28100.00
10.50 AF direct-drive plenum	Any	10 TF, 10 TR, 10 UF, 10 UR	576.00
12 AF direct-drive plenum	Any	12 TF, 12 TR, 12 UF, 12 UR	945.00
13.50 AF direct-drive plenum	Any	13 TF, 13 TR, 13 UF, 13 UR	965.00
15 AF direct-drive plenum	Any	15 TF, 15 TR, 15 UF, 15 UR	1227.00
16 AF direct-drive plenum	Any	16 TF, 16 TR, 16 UF, 16 UR	1519.00
18 AF direct-drive plenum	Any	18 TF, 18 TR, 18 UF, 18 UR	1822.00
20 AF direct-drive plenum	Any	20 TF, 20 TR, 20 UF, 20 UR	2186.00
22 AF direct-drive plenum	Any	22 TF, 22 TR, 22 UF, 20 UR	2714.00
24 AF direct-drive plenum	Any	24 TF, 24 TR, 24 UF, 24 UR	3285.00
27 AF direct-drive plenum	Any	27 TF, 27 TR, 27 UF, 27 UR	3998.00
30 AF direct-drive plenum	Any	30 TF, 30 TR, 30 UF, 30 UR	4945.00
11.00 motorized impeller	Any	11 VP, 11 VP, 11 EP	864.00
12.20 motorized impeller	Any	12 VP, 12 VP, 12 EP	1078.00
14.00 motorized impeller	Any	13 VP, 13, VP, 13 EP	1375.00
15.70 motorized impeller	Any	15 VP, 15 VP, 15 EP	1747.00
17.70 motorized impeller	Any	17 VP, 17 VP, 17 EP, 17 FP	2231.00
19.70 motorized impeller	Any	19VP, 19VP, 19EP, 19FP	2612.00
22.00 motorized impeller	Any	22VP, 22VP, 22 EP, 22FP	3233.00
24.80 motorized impeller	Any	24VP	4071.00

Note: This table to be used for the updated tap design - mid-2014 and beyond. Refer to prior editions of this publication for the previous design.

Start-Up

When a single transmitter is supplied in a multiple fan system, one or more fans will be brought back to the transmitter as a manifold and the airflow will represent the total airflow for the system. As a result, the factor should be adjusted as follows:

$$K = N * K\text{-Factor from Table 51}$$

Where:

K = The final factor to be used for controller programming.

N = The number of active* fans in the system.

*If a fan fails in a multiple fan system where only one transmitter is being supplied, and if the remaining fans will continue to be used, the factor should be reduced accordingly. Additionally, if the inactive fan was included in the manifold back to the transmitter, the tubes from the inactive fan should be temporarily removed and replaced with tubes from an active fan (or simply plugged).

When a transmitter is supplied for each fan, the factor does not need to be adjusted. The resulting airflow will represent single-fan airflow. At the controller level, the individual airflows should be summed to get the total airflow. If a field-provided K-factor is to be used (see below), the measured airflow for the system should be divided by the number of active fans to get a single-fan K-factor.

Field-obtained factors can provide maximum accuracy. To obtain the factor in the field, measure the differential pressure output from the transmitter while measuring the airflow through the system. Once these two values have been measured, simply solve for K using the following equation:

$$K = \text{ACFM}/\text{SQRT}(\text{DP})$$

Where:

K = Field-provided constant factor.

ACFM = Actual airflow (ft³/min.) being measured at the air density being measured.

DP = Differential pressure (inches w.g.) being measured by the transmitter.

CDQ Wheel Start Up

⚠ WARNING

Hazardous Voltage w/Capacitors!

Failure to disconnect power and discharge capacitors before servicing could result in death or serious injury. Disconnect all electric power, including remote disconnects and discharge all motor start/run capacitors before servicing. Follow proper lockout/tagout procedures to ensure the power cannot be inadvertently energized. Verify with an appropriate voltmeter that all capacitors have discharged.

For additional information regarding the safe discharge of capacitors, see PROD-SVB06-EN*

NOTICE

Equipment Damage!

Exceeding the recommended airflow can result in damage to equipment. Trane is not responsible for equipment damage resulting from exceeding recommendations.

Note: Do not exceed the maximum rated airflow for the wheel. The pressure drop across the wheel is not to exceed 1.5 inches w.g.

1. Set diameter seals. See ["CDQ Seal Adjustment," p. 154.](#)
2. Turn the wheel counter-clockwise (as viewed from the pulley side) by hand to verify that the wheel turns freely through its full rotation.
3. With hands and objects away from moving parts, activate the wheel and confirm the wheel rotation. The correct rotation direction is counter-clockwise as viewed from the pulley side.
4. Verify rotational speed 8-10 rotations per hour. The wheel should be a 1/4 turn in 100-150 seconds.
5. Start and stop the wheel several times to confirm seal adjustment and proper belt tracking on the wheel rim.
6. If the wheel has difficulty starting, confirm seals adjustment and belt tension. See ["CDQ Seal Adjustment," p. 154.](#) If belt slips, see ["CDQ Drive Belt Adjustment/Replacement," p. 153.](#)
7. If the wheel has difficulty starting, turn off the power and inspect for excessive interference between the wheel surface and the four diameter seals. To correct, loosen the diameter seal adjusting screws and back the diameter seals away from the surface of the wheel. Apply power to confirm that the wheel rotates freely. Readjust and tighten the seals according to instructions in ["CDQ Seal Adjustment," p. 154.](#)

- Damper actuators (if so equipped): Stroke the actuators to observe full open and full closure of dampers. Adjust the actuator and/or linkage to prevent “over-stroking” so excessive pressure is not placed on the damper at the full open or full closed position.

Energy Wheel Startup

⚠ WARNING

Toxic Hazards with Exhaust Air!

Failure to follow this instruction could result in death or serious injury. Do not use an energy wheel in an application where the exhaust air is contaminated with harmful toxins or biohazards. Using an energy wheel could displace vast quantity of contaminated air which could result in asphyxiation and poisoning.

⚠ WARNING

Hazardous Voltage w/Capacitors!

Failure to disconnect power and discharge capacitors before servicing could result in death or serious injury. Disconnect all electric power, including remote disconnects and discharge all motor start/run capacitors before servicing. Follow proper lockout/tagout procedures to ensure the power cannot be inadvertently energized. Verify with an appropriate voltmeter that all capacitors have discharged.

For additional information regarding the safe discharge of capacitors, see PROD-SVB06*-EN .

NOTICE

Equipment Damage!

Exceeding the recommended airflow can result in damage to equipment. Trane is not responsible for equipment damage resulting from exceeding recommendations.

Note: Do not exceed the maximum rated airflow for the wheel. The pressure drop across the wheel is not to exceed 1.25 inches w.g.

- Set diameter seals. See “Energy Wheel Seal Adjustment,” p. 160.
- Turn the energy wheel clockwise (as viewed from the pulley side) by hand to verify that the wheel turns freely through its full rotation.
- Confirm that all wheel segments are fully engaged in the wheel frame and that segment retainers are completely fastened (see [Figure 170](#)).

Figure 170. Completely fasten segment retainers



- With hands and objects away from moving parts, activate the wheel and confirm the wheel rotation. The correct rotation direction is clockwise as viewed from the pulley side.
- Start and stop the wheel several times to confirm seal adjustment and proper belt tracking on the wheel rim. The correct belt tracking is approximately a quarter inch from the outer edge of the rim.

Figure 171. Confirm proper belt tracking on wheel rim





Start-Up

6. If the wheel has difficulty starting, turn off the power and inspect for excessive interference between the wheel surface and the four diameter seals. To correct, loosen the diameter seal adjusting screws and back the diameter seals away from the surface of the wheel. Apply power to confirm that the wheel rotates freely. Readjust and tighten the seals according to instructions in ["Energy Wheel Seal Adjustment,"](#) p. 160.
7. Damper actuators (if so equipped): Stroke the actuators to observe full open and full closure of dampers. Adjust the actuator and/or linkage to prevent "over-stroking" so excessive pressure is not placed on the damper at the full open or full closed position.

External Insulating Requirements

The following areas should be specifically addressed, as applicable:

- Supply and return water piping connections
- Supply and return refrigerant piping connections
- Condensate drain lines and connections
- Outdoor-air-intake duct connections
- Discharge duct connections
- Special requirements for low-temperature-air systems
- Electric duct heaters mounted on the fan discharge

Important: Minimum clearance from combustible materials: 1 inch for first four feet of duct



Routine Maintenance

⚠ WARNING

Hazardous Service Procedures!

Failure to follow all of the safety warnings provided, could result in death or serious injury. The maintenance and troubleshooting procedures recommended in this manual could result in exposure to electrical, mechanical or other potential safety hazards. Always refer to the safety warnings provided throughout this manual concerning these procedures. Unless specified otherwise, disconnect all electrical power including remote disconnect and discharge all energy storing devices such as capacitors before servicing. Follow proper lockout/tagout procedures to ensure the power can not be inadvertently energized. When necessary to work with live electrical components, have a qualified licensed electrician or other individual who has been trained in handling live electrical components perform these tasks. .

⚠ WARNING

Rotating Components!

Failure to secure rotor or disconnect power before servicing could result in rotating components cutting and slashing technician which could result in death or serious injury. The following procedure involves working with rotating components. Disconnect all electric power, including remote disconnects before servicing. Follow proper lockout/ tagout procedures to ensure the power can not be inadvertently energized. Secure rotor to ensure rotor cannot freewheel.

Maintenance Checklist

Table 52. Maintenance checklist

Frequency	Maintenance
After 48 hours of operation	<ul style="list-style-type: none"> For belt-drive fans, the belts have acquired their permanent set. Readjust but do not overtighten. See "Tension the Fan Belt," p. 130 for more information.
Every week	<ul style="list-style-type: none"> Observe unit weekly for any change in running condition and unusual noise.
Every month	<ul style="list-style-type: none"> Clean or replace air filters if clogged or dirty; change bag filters when pressure drop is 1 in. w.g. See "Filters," p. 162 for more information. Permanent filters located in outdoor air intake hoods should be cleaned monthly. This time frame should be altered if needed due to seasonal issues, i.e., high pollen levels in the spring or leaves in the fall. Belt-drive fans - relubricate fan bearings if necessary. See "Fan Bearing Lubrication," p. 161 for more information. Belt-drive fans - check and adjust fan belt tension. See "Tension the Fan Belt," p. 130 for more information.
Every three to six months	<ul style="list-style-type: none"> Belt-drive fans - check fan bearing grease line connections. Lines should be tight to the bearings. Check motor bracket torque. See Table 53, p. 161 for torque requirements. Belt-drive fans - check bearing bolt torque and bearing setscrew torque. See Table 53, p. 161 for torque requirements. Belt-drive fans - align fan and motor sheaves. Tighten sheave set screws to the proper torque. See "Align Fan and Motor Sheaves," p. 132 for more information. Inspect and clean drain pans. See "Drain Pans," p. 147 for more information. Tighten electrical connections. Inspect coils for dirt build-up. See "Coils," p. 145 for more information. Clean moisture eliminator with high pressure sprayer. Remove pollen in the spring and leaves in the fall. See "Moisture Eliminator," p. 162.
Every year	<ul style="list-style-type: none"> Inspect the unit casing for corrosion. If damage is found, clean and repaint. Clean the fan wheels and shaft. See "Fans," p. 160 for more information. Inspect and clean drain pans. Check damper linkages, set screws, and blade adjustment. Clean, but do not lubricate, the nylon damper rod bushings. Clean damper operators. Inspect electrical components and insulation. Inspect wiring for damage. Rotate the fan wheel and check for obstructions. The wheel should not rub. Adjust the center if necessary. Lubricate motor bearings in accordance with motor manufacturer's recommendations (see "Motor Bearing Lubrication," p. 161 for more information). Check condition of gasketing and insulation around unit, door and dampers. Examine flex connections for cracks or leaks. Repair or replace damaged material.

Air-to-Air Plate Heat Exchangers

⚠ WARNING

Hazardous Voltage!

Failure to disconnect power before servicing could result in death or serious injury. Disconnect all electric power, including remote disconnects before servicing. Follow proper lockout/tagout procedures to ensure the power can not be inadvertently energized.

⚠ WARNING

Hazardous Chemicals!

Failure to follow all safety instructions could result in death or serious injury. Coil cleaning agents can be either acidic or highly alkaline and can burn severely if contact with skin occurs. Handle chemical carefully and avoid contact with skin. ALWAYS wear Personal Protective Equipment (PPE) including goggles or face shield, chemical resistant gloves, boots, apron or suit as required. For personal safety refer to the cleaning agent manufacturer's Materials Safety Data Sheet and follow all recommended safe handling practices.

To clean air-to-air heat plate exchangers:

1. Disconnect all electrical power to the unit.
2. Wearing the appropriate personal protective equipment, use a soft brush to remove loose debris from the faces of the exchanger.
3. Install a block-off to prevent spray from going through the exchanger and into a dry section of the unit and/or system ductwork.
4. Mix a high-quality coil cleaning detergent with water according to the manufacturer's instructions.

Note: If the detergent is strongly alkaline after mixing (PH 8.5 or higher), it must contain an inhibitor. Follow the cleaning solution manufacturer's instructions regarding the use of the product.

5. Place the mixed solution in a garden pump-up sprayer or high-pressure sprayer. If a high pressure sprayer is used:
 - a. Maintain minimum nozzle spray angle of 15 degrees.
 - b. Spray perpendicular to the exchanger face.
 - c. Use a 40 degree nozzle at least 6 inches from the face.
 - d. Do *not* exceed 1450 psi.
6. Spray the lower sides of the exchanger first, then the upper sides.
7. Thoroughly rinse both sides of the exchanger and the drain pan with cool, clean water.
8. Repeat steps 6 and 7 as necessary.

9. Straighten any plate fins that may have been damaged during the cleaning process.
10. Confirm the drain line is open following the cleaning process.
11. Allow the unit to dry thoroughly before putting it back into service.
12. Replace all panels and parts and restore electrical power to the unit.
13. Be careful any contaminated material does not contact other areas of the unit or building. Properly dispose of all contaminated materials.

Cleaning the Unit

Cleaning Non-Porous Surfaces

⚠ WARNING

Hazardous Voltage!

Failure to disconnect power before servicing could result in death or serious injury. Disconnect all electric power, including remote disconnects before servicing. Follow proper lockout/tagout procedures to ensure the power can not be inadvertently energized. Failure to disconnect power before servicing could result in death or serious injury.

If microbial growth on a non-porous insulating surface (closed cell insulation or sheet metal surface) is observed:

1. Disconnect all electrical power to the unit.
2. Wearing the appropriate personal protective equipment, use a brush for sheet metal surfaces or a soft sponge on a foil face or closed cell foam surface to mechanically remove the microbial growth.

Note: Be careful not to damage the non-porous surface of the insulation.

3. Install a block-off to prevent spray from going into a dry section of the unit and/or system ductwork.
4. Thoroughly clean the contaminated area(s) with an EPA-approved sanitizer specifically designed for HVAC use.
5. Rinse the affected surfaces thoroughly with fresh water and a fresh sponge to prevent potential corrosion of the drain pan and drain line
6. Repeat steps 4 and 5 as necessary.
7. Confirm the drain line is open following the cleaning process.
8. Allow the unit to dry thoroughly before putting it back into service.
9. Replace all panels and parts and restore electrical power to the unit.

10. Be careful any contaminated material does not contact other areas of the unit or building. Properly dispose of all contaminated materials and cleaning solution.

Cleaning Porous Surfaces

⚠ WARNING

Hazardous Voltage!

Failure to disconnect power before servicing could result in death or serious injury. Disconnect all electric power, including remote disconnects before servicing. Follow proper lockout/tagout procedures to ensure the power can not be inadvertently energized.

To clean a porous insulating surface (fiberglass insulation):

1. Disconnect all electrical power to the unit.
2. Wearing the appropriate personal protective equipment, use a vacuum device with a HEPA filter (99.97 percent efficient at 0.3 micron particles) to remove the accumulated dirt and organic matter.
Note: Be careful not to tear the insulation surface or edges.
3. Confirm the drain line is open following the cleaning process.
4. Allow the unit to dry thoroughly before putting it back into service.
5. Replace all panels and parts and restore electrical power to the unit.
6. Be careful any contaminated material does not contact other areas of the unit or building. Properly dispose of all contaminated materials and cleaning solution.

Coils

All coils should be kept clean to maintain maximum performance.

Steam and Water Coils

⚠ WARNING

Hazardous Voltage!

Failure to disconnect power before servicing could result in death or serious injury. Disconnect all electric power, including remote disconnects before servicing. Follow proper lockout/tagout procedures to ensure the power can not be inadvertently energized.

⚠ WARNING

Hazardous Chemicals!

Failure to follow all safety instructions could result in death or serious injury. Coil cleaning agents can be either acidic or highly alkaline and can burn severely if contact with skin occurs. Handle chemical carefully and avoid contact with skin. ALWAYS wear Personal Protective Equipment (PPE) including goggles or face shield, chemical resistant gloves, boots, apron or suit as required. For personal safety refer to the cleaning agent manufacturer's Materials Safety Data Sheet and follow all recommended safe handling practices.

To clean steam and water coils:

1. Disconnect all electrical power to the unit.
2. Wearing the appropriate personal protective equipment, use a soft brush to remove loose debris from both sides of the coil.
3. Install a block-off to prevent spray from going through the coil and into a dry section of the unit and/or system ductwork.
4. Mix a high-quality coil cleaning detergent with water according to the manufacturer's instructions.

Note: If the detergent is strongly alkaline after mixing (PH 8.5 or higher), it must contain an inhibitor. Follow the cleaning solution manufacturer's instructions regarding the use of the product.

5. Place the mixed solution in a garden pump-up sprayer or high-pressure sprayer. If a high pressure sprayer is to be used:
 - Maintain minimum nozzle spray angle of 15 degrees.
 - Spray perpendicular to the coil face.
 - Keep the nozzle at least 6 inches from the coil.
 - Do *not* exceed 600 psi.
6. Spray the leaving air side of the coil first, then the entering air side.
7. Thoroughly rinse both sides of the coil and the drain pan with cool, clean water.
8. Repeat steps 6 and 7 as necessary.
9. Straighten any coil fins that may have been damaged during the cleaning process.
10. Confirm the drain line is open following the cleaning process.
11. Allow the unit to dry thoroughly before putting it back into service.
12. Replace all panels and parts and restore electrical power to the unit.
13. Be careful any contaminated material does not contact other areas of the unit or building. Properly dispose of all contaminated materials.

Refrigerant Coils
⚠ WARNING
Hazardous Pressures!

Failure to follow these safety precautions could result in coil bursting, which could result in death or serious injury. Coils contain refrigerant under pressure. When cleaning coils, maintain coil cleaning solution temperature under 150°F to avoid excessive pressure in the coil.

⚠ WARNING
Hazardous Voltage!

Failure to disconnect power before servicing could result in death or serious injury. Disconnect all electric power, including remote disconnects before servicing. Follow proper lockout/tagout procedures to ensure the power can not be inadvertently energized.

⚠ WARNING
Hazardous Chemicals!

Failure to follow all safety instructions could result in death or serious injury. Coil cleaning agents can be either acidic or highly alkaline and can burn severely if contact with skin occurs. Handle chemical carefully and avoid contact with skin. ALWAYS wear Personal Protective Equipment (PPE) including goggles or face shield, chemical resistant gloves, boots, apron or suit as required. For personal safety refer to the cleaning agent manufacturer's Materials Safety Data Sheet and follow all recommended safe handling practices.

To clean refrigerant coils:

1. Disconnect all electrical power to the unit.
2. Wearing the appropriate personal protective equipment, use a soft brush to remove loose debris from both sides of the coil.
3. Install a block-off to prevent spray from going through the coil and into a dry section of the unit and/or system ductwork.
4. Mix a high-quality coil cleaning detergent with water according to the manufacturer's instructions.

Note: If the detergent is strongly alkaline after mixing (PH 8.5 or higher), it must contain an inhibitor. Follow the cleaning solution manufacturer's instructions regarding the use of the product.

5. Place the mixed solution in a garden pump-up sprayer or high-pressure sprayer. If a high pressure sprayer is to be used:
 - Maintain minimum nozzle spray angle of 15 degrees.

- Spray perpendicular to the coil face.
- Keep the nozzle at least 6 inches from the coil.
- Do *not* exceed 600 psi.

6. Spray the leaving air side of the coil first, then the entering air side.
7. Thoroughly rinse both sides of the coil and the drain pan with cool, clean water.
8. Repeat steps 6 and 7 as necessary.
9. Straighten any coil fins damaged during the cleaning process.
10. Confirm the drain line is open following the cleaning process.
11. Allow the unit to dry thoroughly before putting it back into service.
12. Replace all panels and parts and restore electrical power to the unit.
13. Be careful any contaminated material does not contact other areas of the unit or building. Properly dispose of all contaminated materials and cleaning solution.

Coil Winterization

Water coil winterization procedures consist primarily of draining water from the coil before the heating season. Trane recommends flushing the coil with glycol if coils will be exposed to temperatures below 35 degrees.

NOTICE
Coil Freeze-up!

Failure to do so could result in equipment damage. Drain and vent coils when not in use. Trane recommends glycol protection in all possible freezing applications. Use a glycol approved for use with commercial cooling and heating systems and copper tube coils.

Install field-fitted drains and vents to permit winterization of coils not in use and to assist in evacuating air from the water system during startup. If draining is questionable because of dirt or scale deposits inside the coil, fill the coil with glycol before the heating season begins.

Individual coil types determine how to properly winterize the coil. To determine the coil type find the "Service Model No of Coil" on the coil section nameplate. The coil type is designated by the second and third digits on that model number. For example, if the model number begins with "DUWB," the coil type is UW; if the model number begins with "DW0B," the coil type is W.

Note: On many unit sizes, there are multiple coils in the coil section. Be sure to winterize all coils in a given coil section.

To winterize type D1, D2, WL, LL, UA, UW, UU, W, P2, P4, P8, WD, 5D, and 5W coils:

1. Remove the vent and drain plugs.

2. Blow the coil out as completely as possible with compressed air.
3. Fill and drain the coil several times with full strength glycol so that it mixes thoroughly with the water retained in the coil.
4. Drain the coil out as completely as possible.
5. To ensure no water remains in the coil, do not replace the vent and drain plugs until the coils are put back into service.

Note: Use care in removing header plugs from Type P2, P4, and P8 coils. Over-torquing may result in twisted tubes.

Moisture Purge Cycle

By its very nature, any HVAC unit with a cooling coil serves as a dehumidifier, reducing the surrounding air's ability to hold water vapor as its temperature falls. This normally doesn't present a problem when the unit is running. However, when the fan stops, water vapor condenses on the cold metal surfaces inside the air handler and remains there until the air warms sufficiently to re-evaporate it. This damp, dark environment—though temporary—can encourage the growth of mold, mildew, and other microbial contaminants.

Providing a moisture purge cycle 15 to 30 minutes after shutdown disperses the cold, humid air inside the air-handling system more evenly throughout the building. This four-step cycle:

- Closes the outdoor air dampers.
- Turns off the cooling coil.
- Opens any variable-air-volume terminals connected to the air handler.
- Operates the supply fan for 10 to 15 minutes.

Air movement discourages water condensation and hastens re-evaporation of any condensate that does happen to form. This simple preventative measure effectively combats microbial growth and curbs moisture-related deterioration of air-handling components.

Drain Pans

WARNING

Hazardous Chemicals!

Failure to follow all safety instructions could result in death or serious injury. Coil cleaning agents can be either acidic or highly alkaline and can burn severely if contact with skin occurs. Handle chemical carefully and avoid contact with skin. ALWAYS wear Personal Protective Equipment (PPE) including goggles or face shield, chemical resistant gloves, boots, apron or suit as required. For personal safety refer to the cleaning agent manufacturer's Materials Safety Data Sheet and follow all recommended safe handling practices.

WARNING

No Step Surface!

Failure to follow the instructions below could result in death or serious injury. Do not walk on the sheet metal drain pan. Walking on the drain pan could cause the supporting metal to collapse, resulting in the operator/technician to fall.

The condensate drain pan and drain line must be checked to assure the condensate drains as designed. This inspection should occur a minimum of every six months or more often as dictated by operating experience.

If evidence of standing water or condensate overflow exists, identify and remedy the cause immediately. Refer to "Troubleshooting," p. 165 for possible causes and solutions.

To clean drain pans:

1. Disconnect all electrical power to the unit.
2. Wearing the appropriate personal protective equipment, remove any standing water.
3. Scrape solid matter off of the drain pan.
4. Vacuum the drain pan with a vacuum device that uses high-efficiency particulate arrestance (HEPA) filters with a minimum efficiency of 99.97 percent at 0.3 micron particle size.
5. Thoroughly clean any contaminated area(s) with a mild bleach and water solution or an EPA-approved sanitizer specifically designed for HVAC use.
6. Immediately rinse the affected surfaces thoroughly with fresh water and a fresh sponge to prevent potential corrosion of metal surfaces.
7. Allow the unit to dry completely before putting it back into service.
8. Be careful any contaminated material does not contact other areas of the unit or building. Properly dispose of all contaminated materials and cleaning solution.

CDQ Desiccant Dehumidification Wheel

CDQ Cleaning

If there is dirt or dust buildup in the wheel, clean the wheel using the following procedure:

Vacuuming the Wheel

1. Disconnect all power.
2. Using a standard shop vacuum, vacuum any debris from both faces of the wheel. Slowly work around the entire face of the wheel to complete the procedure. Do not damage wheel face by excessive pressure of the vacuum nozzle on the wheel face.



Routine Maintenance

- Using 20 psig clean dry air, and a small air nozzle, blow air through one face of the wheel. At a similar location on the opposite side of the wheel, gently apply a shop vacuum to “receive” any remaining debris exiting the wheel.

In most instances this should adequately clean the wheel. In the event the wheel is subject to an aerosol, smoke or other material that coats the wheel, it can be washed with water and/or a mild detergent. The desiccant wheel can be washed thoroughly without affecting the performance of the wheel. The wheel will simply dry out following a washing procedure and resume dehumidification without any deviation in performance.

If the desiccant wheel can be easily removed from the cassette or unit, it is recommended to do so to facilitate the washing process. However, in most cases, it is impractical to remove larger wheels and therefore, the washing procedure must take place within the air handling unit and provisions need to be made to collect the runoff water from the bottom of the unit.

Washing the Wheel

- Disconnect all power.
- Shield or remove all electrical components with plastic sheeting. Shield the bearing with plastic sheeting. Precautions should be taken to ensure the motor windings and capacitor do not get wet.
- Ensure that an adequate drainage system exists to collect runoff water from the bottom of the unit.
- Using standard pressure water (do not use a high pressure washer) and working from the lower half of the wheel, wash the wheel with a standard “garden” nozzle to flush any debris trapped within the flutes of the wheel. Minimize water contact with the seals. Wash from one side and vacuum up water from the other side with a wet vacuum.
- Once the entire process side is adequately washed, rotate the wheel one half turn and wash the section that was at the top.
- After washing, there will be a temporary derate in performance as the wheel dries out. To expedite the dry out time, regeneration preheat should be activated if it was provided.

Cleaning the Motor

WARNING

Hazardous Voltage!

Failure to disconnect power before servicing could result in death or serious injury. Disconnect all electric power, including remote disconnects before servicing. Follow proper lockout/tagout procedures to ensure the power can not be inadvertently energized.

Disconnect all electrical power, then use a vacuum cleaner and brush to remove accumulated material from the CDQ wheel motor. The use of spray aerosol cleaners is not recommended. Examine the motor monthly for debris accumulation.

Cleaning the Module

- Disconnect all electrical power.
- Use a vacuum cleaner to remove dust and debris from the module surfaces.
- If needed, use a detergent solution to remove grease, oil, or other stubborn deposits from module surfaces. Follow the manufacturer’s instructions regarding use of the product.
- Rinse any cleaning product thoroughly from the module walls. The use of a water stream from a garden hose or high pressure washer is *not* recommended. Saturation of the wall panel insulation could result in potential microbial growth.
- Examine the module monthly for material build-up on the wall surfaces.

CDQ Bearings/Motor/Belts

CDQ Bearing and Motor Lubrication

The wheel gear motor bearings are pre-lubricated at the manufacturer and do not require re-lubrication. Wheels smaller than 8500 cfm, 66-inches in diameter, have a permanently sealed inboard bearing and need no maintenance. Larger wheels come equipped with an external flanged bearing that should be greased annually.

CDQ Drive Belt Tension

The drive belt is a link stretch belt designed to provide tension throughout the life of the belt. Inspect the belt annually for proper tracking and tension. A properly tensioned belt will turn the wheel immediately, with no visible slippage, when power is applied. If belt needs tensioning, see “[CDQ Drive Belt Adjustment/Replacement](#),” p. 153.

CDQ Bearing Replacement

WARNING

Hazardous Voltage!

Failure to disconnect power before servicing could result in death or serious injury. Disconnect all electric power, including remote disconnects before servicing. Follow proper lockout/tagout procedures to ensure the power can not be inadvertently energized.

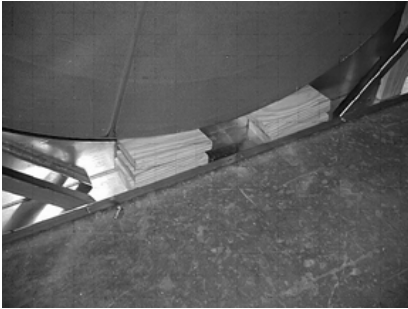
CDQ Internal Bearing Replacement

Prepare wheel for removal of old bearing and installation of new bearing.

- Remove belt from motor and wheel.

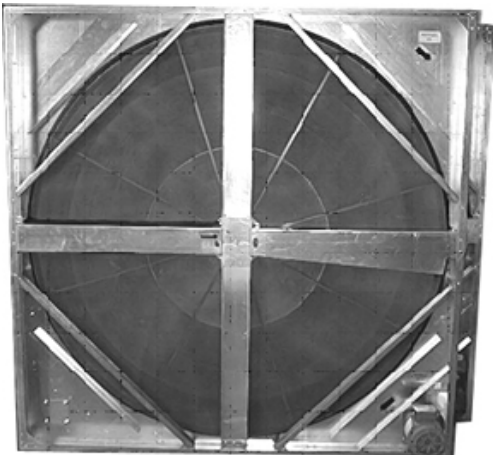
2. Support wheel with wooden blocks on both sides of the wheel.

Figure 172. Wooden blocks support wheel



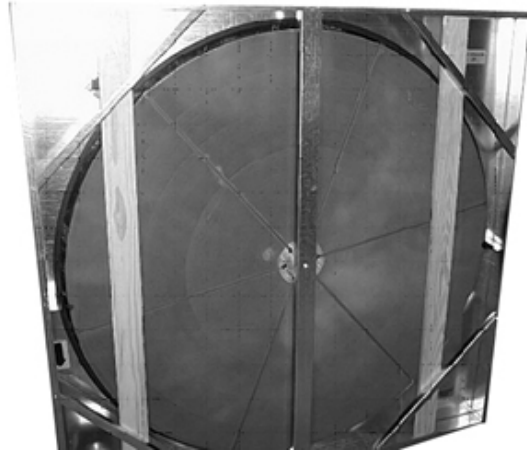
3. Make sure the wheel is secure. The short posts are removed first.

Figure 173. Remove short posts first



4. To prevent wheel from flipping out, cut two 1-inch x 4-inch boards for placement across the face and behind the lip and corner braces on the cassette.

Figure 174. Prevent wheel from flipping out with boards



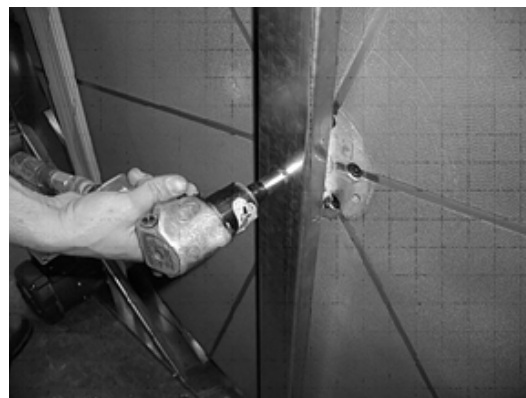
5. Remove the post mounting screws or bolts at both ends of the long post.

Figure 175. Remove post mounting screws



6. Remove the shaft bolt.

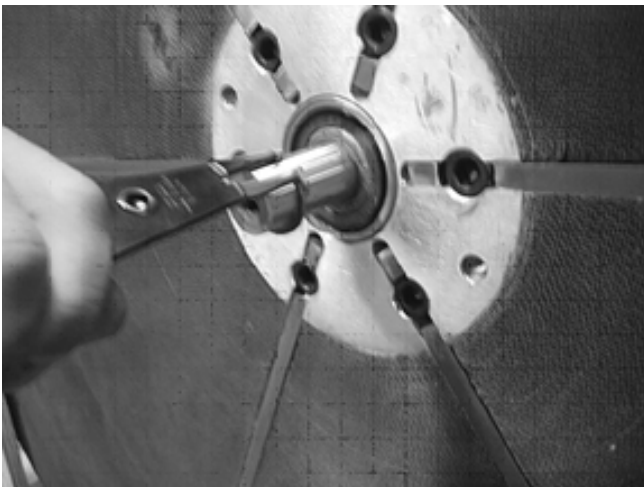
Figure 176. Remove shaft bolt



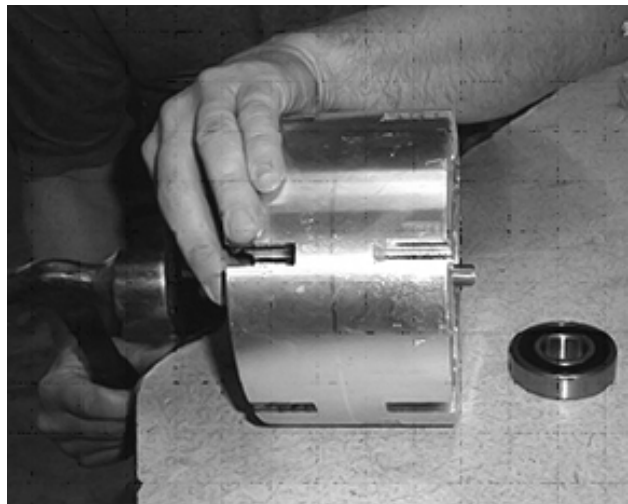
7. Remove the post.

Figure 177. Remove post

8. Remove the snap ring from the shaft.

Figure 178. Remove snap ring

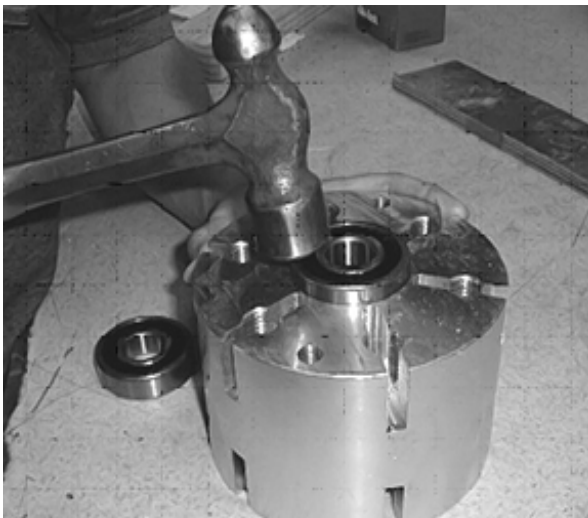
9. Remove shaft bolt, post and snap ring from opposite side using the same procedure. Remove shaft, being careful not to damage it. You may want to install a short bolt in the end of the shaft and tap the bolt to remove shaft.
10. The old bearing is removed by tapping it from the back using a rod or punch passed through the other bearing. It is best to use brass or other soft metal, but if bearing is being replaced, it is okay to use a steel rod. Gently work around the race with a series of gentle taps. Using excessive force can cock the bearing and make removal difficult and/or damage the aluminum hub. Once one bearing is out, go to the other side and repeat procedure to remove the other bearing.

Figure 179. Remove old bearing by tapping from the back. Gently tap around the race. Repeat on opposite side.

11. Clean the hub and new bearing races before installing
12. Gently tap the outer race of the new bearings into the hub using a hammer, making sure that the bearing is

not cocked. It is best to alternate to opposite sides of the race as shown in the two pictures at right. Do not strike the inner race of the bearing or it may be damaged.

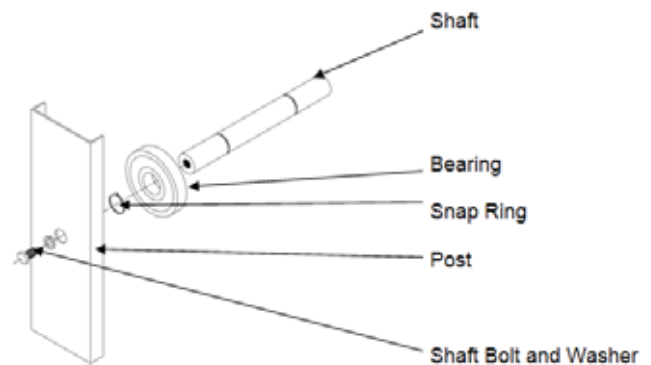
Figure 180. Tap outer race of new bearing, alternating sides



13. Repeat the procedure for the other bearing.
14. Install one snap ring on the shaft and gently slide the shaft through the bearings. It may be necessary to tap it gently with a hammer.
15. After the shaft is through the bearings and snap ring is against the inner race, install the other snap ring.
16. Install the long post on one side and re-install the shaft bolt.
17. Install the long post on the other side and re-install the shaft bolt.
18. Install the short posts.

19. Check the wheel for rotation and insure that is centered in the cassette. It may be necessary to loosen the shaft bolts and adjust the wheel so that it is equidistant from posts on both sides.

Figure 181. Exploded view of internal bearing and shaft assembly (no hub shown)



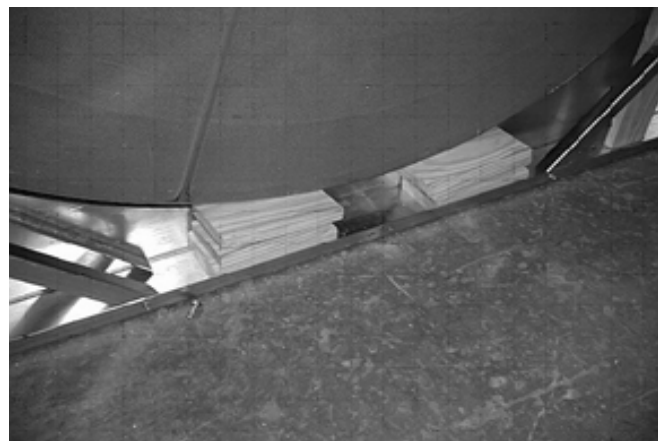
20. Install the belt.
21. Start up unit and check wheel for clearance. Seals on the short posts may have to be adjusted for proper sealing.

CDQ External Bearing Replacement

Prepare wheel for removal of old bearing and installation of new bearing.

1. Remove belt from motor and wheel.
2. Support wheel with wooden blocks on both sides of the wheel.

Figure 182. Wooden blocks support wheel



Routine Maintenance

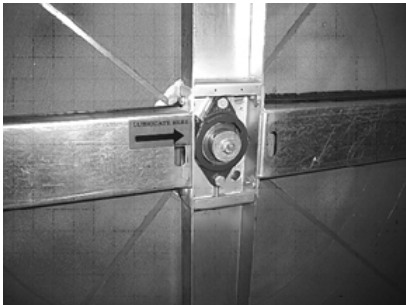
3. Remove cover plate from bearing housing if present.

Figure 183. Remove cover plate



4. Remove the bolt and washer from the end of the shaft.

Figure 184. Remove bolt and washer from shaft



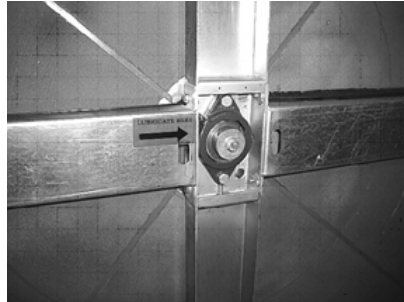
5. Loosen the set screws in the bearing inner race.

Figure 185. Loosen set screws



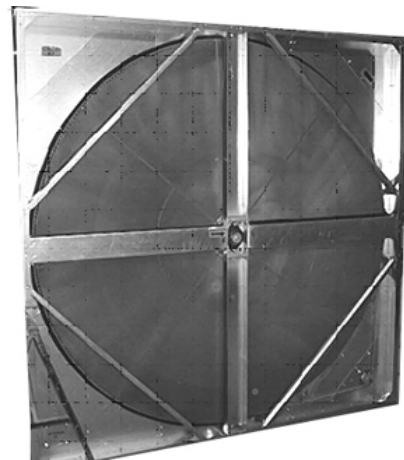
6. Remove the bolts securing the bearing to the cassette.

Figure 186. Remove bolts securing bearing



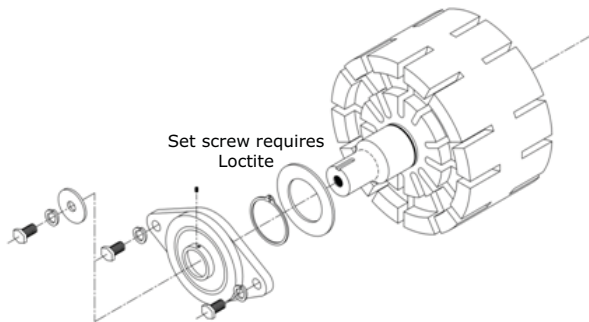
7. Remove the bearing. Use a bearing puller if necessary.
8. Clean shaft and install new bearing on shaft, insuring that set screws line up with flats on the shaft.
9. Install bearing mounting bolts. It may be necessary to move wheel up or down to align bolts. The easiest method is to apply pressure at the top of the wheel. Using a 1-foot by 1-foot square of ½-inch thick plywood on the face will spread the force enough to prevent damage to the media face while pushing on the top of the wheel. The other method of lifting the wheel is to use a pry bar at the bottom, taking care to only apply force at a spoke to prevent bending the band.

Figure 187. Install bearing mounting bolts



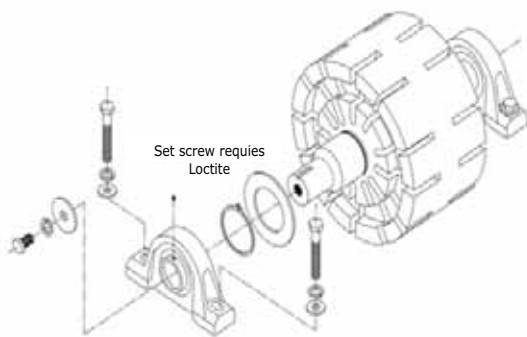
10. Tighten the bearing mounting bolts.
11. Check alignment of the set screws and tighten to the specifications provided in the literature with the bearing.
12. Rotate the wheel and make sure that it is aligned in the cassette so that the face is equidistant from each post. If not, loosen the bearing mounting bolts and adjust as necessary. Flange bearing units have jack bolts. See [Figure 188](#).

Figure 188. Typical flange bearing, shaft and hub assembly



13. Pillow block bearing units require shims to adjust the bearing up or down. See [Figure 189](#). Retighten bearing mounting bolts once alignment is correct.
14. Install bearing cover plates. Remove blocks supporting wheel. Install belts.

Figure 189. Typical pillow block bearing, shaft and hub assembly



CDQ Drive Belt Adjustment/Replacement

The CDQ wheel uses a link belt that has no tension devices that need adjustment. Tension the belt by adjusting the number to links in the belt. If the belt becomes too loose it can be tighten by removing a link from the belt.

⚠ WARNING

Hazardous Voltage!

Failure to disconnect power before servicing could result in death or serious injury. Disconnect all electric power, including remote disconnects before servicing. Follow proper lockout/tagout procedures to ensure the power can not be inadvertently energized.

CDQ Belt Tension

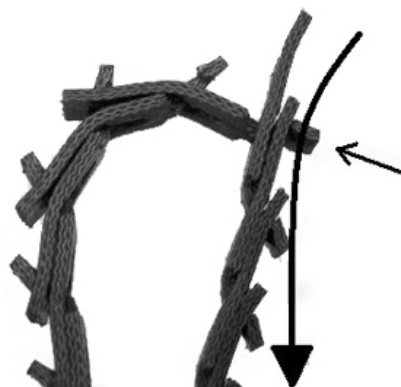
1. Disconnect all power to the desiccant wheel.
2. Slip belt off of drive pulley.
3. Hold the belt with tabs facing outward as shown in [Figure 190](#), twist tab and push through one link.

Figure 190. Hold belt with tabs facing outward



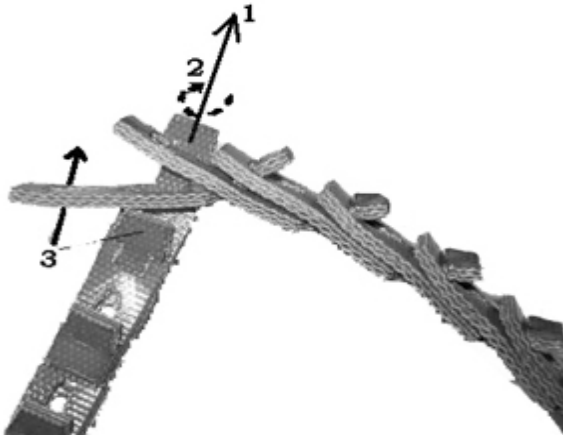
4. Twist the next tab and push through the two links as shown in [Figure 191](#).

Figure 191. Twist and push through links



5. Remove one link.
6. Reconnect the belt as shown in [Figure 192](#).
 - a. Push tab through
 - b. Align belt
 - c. Flex second tab through

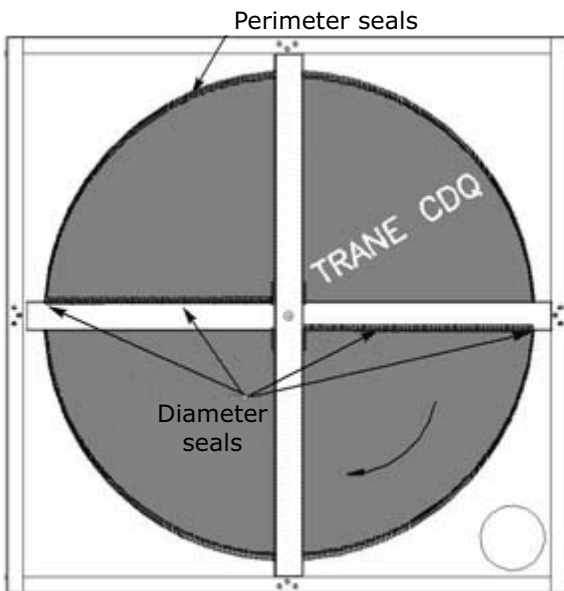
Figure 192. Reconnect the belt



CDQ Seal Adjustment

Neoprene brush seals are located on both sides of the cassette around the wheel perimeter and the center diameter posts. The seals are designed to come in contact with the wheel and require no maintenance other than adjustment. The seals consist of a metal and neoprene clip that grips to the metal posts or panels. These clips can be manually adjusted.

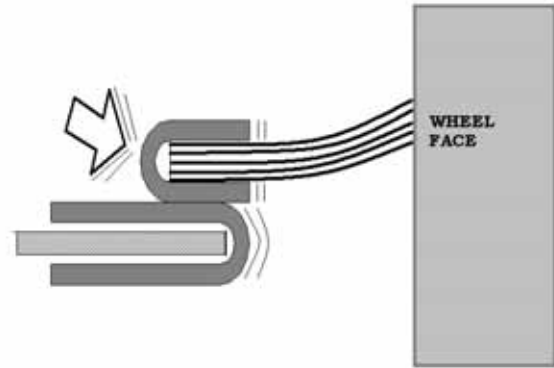
Figure 193. Seals are located around wheel perimeter and center of diameter posts



To minimize air that bypasses the wheel the perimeter seals should be adjusted such that air gaps are not visible around the wheel. Do not over compress the seal against the perimeter as this may cause the wheel not to turn or overload the motor. To minimize air the leaks from one

side to the next the diameter seals should be adjusted to come in full contact with the wheel face.

Figure 194. Adjust seals to fully contact wheel face to minimize leaks



CDQ Drive Motor and Pulley Replacement

1. Disconnect all electrical power.
2. Remove the belt from the pulley and temporarily position it around the wheel rim.
3. Measure and record the distance from the inner edge of the pulley to the mounting wall.
4. Loosen the set screw in the wheel drive pulley using an Allen wrench and remove the pulley from the motor drive shaft.
5. While supporting the weight of the drive motor in one hand, loosen and remove the four mounting bolts.
6. Install a replacement motor with the hardware kit supplied.
7. Install the pulley and adjust it to the distance recorded in the previous step.
8. Tighten the set screw to the drive shaft.
9. Stretch the belt over the pulley and engage it in the groove.

Energy Wheels

⚠ WARNING

Hazardous Voltage!

Failure to disconnect power before servicing could result in death or serious injury. Disconnect all electric power, including remote disconnects before servicing. Follow proper lockout/tagout procedures to ensure the power can not be inadvertently energized.

NOTICE**Equipment Damage!**

Do not use acid based cleaners, aromatic solvents, steam or temperatures in excess of 170°F to prevent damage to internal components. Trane assumes no responsibility for equipment damage caused by cleaning solutions or steam.

NOTICE**Reduced Airflow!**

Accumulated dirt and debris may result in reduced airflow and/or increased pressure drop across the energy wheel. Increased pressure drop can result in permanent damage to the energy wheel. Trane is not responsible for equipment-only-damage caused by debris.

Energy Wheel Cleaning

Disconnect all electrical power, then use a vacuum or brush to remove accumulated material from the face of the wheel. Examine the energy wheel monthly for material build-up on the wheel.

If more aggressive cleaning is needed, segment removal may be required.

1. Wash the segments or the wheel in a five-percent solution of non-acid-base coil cleaner (part no. CHM00021 at your local Trane parts center) or in a alkaline detergent and warm water.
2. Soak the segments in the solution until grease, oil, and tar deposits are loosened.
3. Before removing the cleaner, rapidly run your fingers across the surface of the segments to separate the polymer strips for better cleaning actions.
4. Rinse the dirty solution from the segments and remove excess water before re-installing the segments in the wheel. Note that some permanent staining of the desiccant may remain but is not harmful to performance.

In reasonably clean office or school buildings, cleaning with coil cleaner solution may not be required for several years. If the energy wheel is exposed to air streams containing, for example, high levels of occupant tobacco smoke, cooking facility exhaust air, or oil-based aerosols found in machine shop areas, annual cleaning may be required to remove these contaminants and restore performance.

High maintenance applications like these may benefit from keeping a spare set of clean segments on hand. This allows for rapid change-out of clean segments with minimal downtime. The dirty segments can then be cleaned at a convenient time.

Cleaning the Energy Wheel Motor

⚠ WARNING**Hazardous Voltage!**

Failure to disconnect power before servicing could result in death or serious injury. Disconnect all electric power, including remote disconnects before servicing. Follow proper lockout/tagout procedures to ensure the power can not be inadvertently energized.

Disconnect all electrical power, then use a vacuum cleaner and brush to remove accumulated material from the energy wheel motor. The use of spray aerosol cleaners is not recommended. Examine the motor monthly for debris accumulation.

Cleaning the Module

1. Disconnect all electrical power.
2. Use a vacuum cleaner to remove dust and debris from the module surfaces.
3. If needed, use a detergent solution to remove grease, oil, or other stubborn deposits from module surfaces. Follow the manufacturer's instructions regarding use of the product.
4. Rinse any cleaning product thoroughly from the module walls. The use of a water stream from a garden hose or high pressure washer is *not* recommended. Saturation of the wall panel insulation with potential microbial growth or damage to the energy wheel could occur.
5. Examine the module monthly for material build-up on the wall surfaces.

Segment Removal and Replacement

Segment Removal - 900-15,000 wheel cfm

For unit sizes 3 to 8, the energy wheel module is equipped with only *one* access panel and the entire energy wheel cassette slides out through the door for maintenance. For unit sizes 10 to 50, the energy wheel module is equipped with *four* access doors and the wheel segments are removable. Wheel segments are secured to the wheel frame by a segment retainer, which pivots on the wheel rim and is held in place by a segment retaining catch.

1. Disconnect all electrical power.
2. Unlock the two segment retainer brackets, one on each side of the selected segment opening (see [Figure 195](#)).
3. Remove the segment from the wheel frame. It may be necessary to *gently* pry the segment out of the wheel with a screwdriver.
4. Pull the segment up and out of the wheel frame (see [Figure 196](#)).
5. Close any open segment retainers prior to rotating the wheel. Failure to close any retainer may damage the retainer, seals, or segments.

Routine Maintenance

6. Slowly rotate the wheel by hand 180 degrees and repeat the process to remove the second segment.
7. Rotate the wheel 90 degrees by hand and remove the third segment.
8. Rotate the wheel 180 degrees by hand and remove the fourth segment. Rotating the wheel in this manner keeps the wheel balanced while removing the segments.
9. Continue this procedure to remove all the segments.

Segment Replacement - 900-15,000 wheel cfm

⚠ WARNING

Hazardous Voltage!

Failure to disconnect power before servicing could result in death or serious injury. Disconnect all electric power, including remote disconnects before servicing. Follow proper lockout/tagout procedures to ensure the power can not be inadvertently energized.

1. Disconnect all electrical power.
2. Unlock the two segment retainers, one for each side of the selected segment opening (see [Figure 195](#)).
3. With the embedded stiffener facing the motor side, insert the nose of the segment between the hub plates (see [Figure 197](#)).
4. Holding the segment by the two outer corners, press the segment toward the center of the wheel and inward against the spoke flanges. If hand pressure does not fully seat the segment, insert the flat tip of a screwdriver between the wheel rim and outer corners of the segment and apply downward force while guiding the segment into place.
5. Close and latch each segment retainer under the segment retaining catch.
6. Slowly rotate the wheel 180 degrees by hand. Install the second segment opposite the first for counterbalance.
7. Rotate the two installed segments 90 degrees by hand to balance the wheel while the third segment is installed.
8. Rotate the wheel 180 degrees by hand to install the fourth segment opposite the third.
9. Repeat this sequence with the remaining four segments.

Replacing the segments with a spare set can be accomplished more quickly. Remove the dirty segment, replace it with a clean segment, then move to the next segment. The 180/90/180-degree rotation procedure is not necessary.

Figure 195. Unlock the segment retainers



Figure 196. Pull the segment up and out of the wheel frame to remove



Figure 197. Insert nose of segment between hub plates to install



Segment Removal - 17,500 and higher wheel cfm

For energy wheel applications requiring 17,500 cfm and higher, wheel segments with satellite sections are used (see [Figure 198](#)).

Removal Procedure for Outer Segments

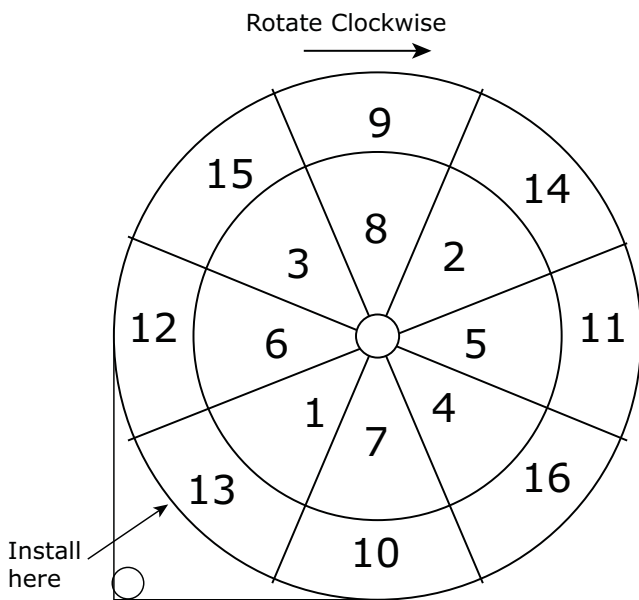
⚠ WARNING

Hazardous Voltage!

Failure to disconnect power before servicing could result in death or serious injury. Disconnect all electric power, including remote disconnects before servicing. Follow proper lockout/tagout procedures to ensure the power can not be inadvertently energized.

Note: Install and remove all segments at location indicated by arrow in [Figure 198](#).

Figure 198. Install and remove segments in the order shown



1. Disconnect all electrical power.
2. Align outer segment with wheel drive pulley. Secure pulley and belt with vise grip to prevent rotation (see [Figure 199](#)).

Figure 199. Secure pulley and belt with vise grip to prevent wheel rotation



3. Insert flat tipped screwdriver between rim and segment retainer latch. Rotate screwdriver to release latch from under catch.
4. Rotate latch 90 degrees from rim. Remove forked segment retainers.
5. Insert screwdriver tip between corners of segment and spoke. Gently pry ends of segment part way out. Grasp one end of segment and lift straight out.
6. Remove vise grip. Repeat steps 1 through 5 for each segment in the order shown in [Figure 198](#).

Removal Procedure for Inner Segments

Remove inner segments in the order shown in [Figure 198](#) as follows:

1. Align inner segment with wheel drive pulley. Secure pulley and belt with vise grip to prevent rotation (see [Figure 199](#)).
2. Support segment with one hand while removing 1/4-20 flat head retaining screw in hub with 5/32 inch Allen wrench.
3. With weight of segment resting on lower spoke, carefully slide segment out from between hub plates.
4. Being careful to balance segment on lower spoke with one hand, grasp nose of segment with other hand and remove from wheel.
5. Reinsert 1/4-20 screws in segment nose bracket to avoid loss.
6. Remove vise grip. Repeat steps 1 through 5 for each segment in the order shown in [Figure 198](#).

Segment Replacement - 17,500 and higher wheel cfm

Installation Procedure for Inner Segments

Note: Note: Install and remove all segments at location indicated by arrow in [Figure 198](#).

1. Rotate the wheel clockwise to align the center of a spoke opening with the pulley. Secure pulley and belt

Routine Maintenance

with vise grip to prevent wheel rotation (see [Figure 199](#)).

2. Remove 1/4-20 flat head screw from segment nose bracket.
3. Center and rest segment on lower spoke. Slide segment on spoke until nose bracket contacts stop in hub plate. Insert screw and tighten until screw is firmly seated (see [Figure 200](#)).
4. Holding wheel to prevent rotation, remove vise grip. Rotate wheel clockwise to install segments in the order shown in [Figure 198](#).
5. Secure pulley. Repeat steps 2 through 4 until all inner segments are installed.

Installation Procedure for Outer Segments

1. Align segment opening with pulley. Secure pulley and belt with vise grip to prevent rotation (see [Figure 199](#)).
2. Rotate outer segment retainer latch, located at end of spokes, 90 degrees from rim and remove two forked outer segment retainers.
3. Install outer segment by starting lower end in position and pressing straight in against four corners. Sharp rap with heel of hand will assist entry when needed (see [Figure 201](#)). Note: Only reinstall segment retainer between adjacent installed segments.
4. Rotate both retainer latches to closed position to prevent interference with bearing support beam while rotating wheel by hand.
5. Repeat steps 1 through 4 in the order shown in [Figure 198](#) until all outer segments are in place. Make certain all retainer latches are latched in place under catch.

Figure 200. Slide segment on spoke until contacts stop in hub plate.



Figure 201. Install outer segment by starting lower end in position and pressing straight in



Energy Wheel Bearings/Motor/Belts

The wheel drive motor and wheel support shaft bearings are permanently lubricated and no further lubrication is necessary.

Energy Wheel Bearing/Drive Belt

The drive belt is a urethane stretch belt designed to provide constant tension throughout the life of the belt. No periodic adjustment is required. Inspect the belt annually for proper tracking and tension. A properly tensioned belt will turn the wheel immediately, with no visible slippage, when power is applied.

⚠ CAUTION

Sharp Edges!

Failure to follow the instructions below could result in minor to moderate injury. The service procedure described in this document involves working around sharp edges. To avoid being cut, technicians **MUST** put on all necessary Personal Protective Equipment (PPE), including gloves and arm guards.

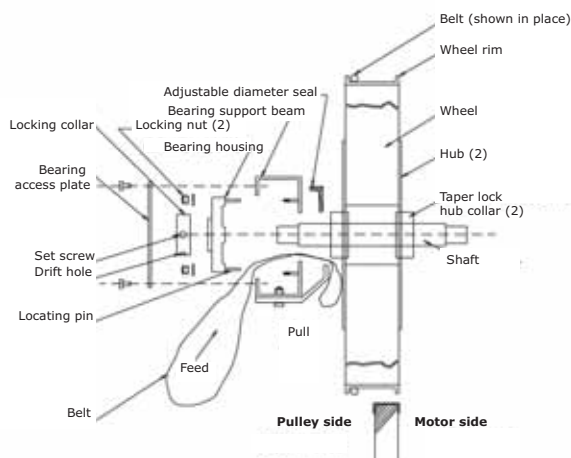
Bearing/Drive Belt Replacement for Sizes 10-50

Bearing removal on the pulley side of the wheel is required to remove and replace the drive belt for unit sizes 10 to 50. Bearing removal is discussed first in this procedure.

1. Disconnect all electrical power.
2. Obtain access to the pulley side bearing access plate.
3. Remove the two bearing access plate retaining screws and the access plate.
4. Using a hexagonal wrench, loosen the set screw in the bearing locking collar.
5. Using a light hammer and a drift placed in the drift pin hole in the collar, tap the collar in the opposite direction of wheel rotation to unlock it.

6. Remove the collar.
7. Using a socket wrench with an extension, remove the two nuts that secure the bearing housing to the bearing support beam.
8. Slide the bearing from the shaft. Note that slight hand pressure against the wheel rim will lift the weight of wheel from the inner race of the bearing to assist in its removal and installation. The use of a bearing puller may be required.
9. Using a wrench, remove the diameter seal retaining screws or hub seal retaining screws and remove the diameter seals or hub seals from the bearing beam. See [Figure 202](#) for an exploded view of the shaft, bearings, belt, etc.

Figure 202. For belt replacement, loop the trailing end of the belt over the shaft (shown with diameter seals removed).



10. Remove the old belt. Form a small loop of belt and pass it through the hole in the bearing support beam.
11. Grasp the belt at the wheel hub and pull the entire belt down.
12. Loop the trailing end of the belt over the shaft. [Figure 202](#) shows the belt partially through the opening.
13. Re-install the bearing onto the wheel shaft, being careful to engage the two locating pins into the holes in the bearing support beam.
14. Secure the bearing with two self-locking nuts.
15. Install the belt around the wheel and pulley according to the instructions provided with the belt.
16. Re-install the diameter seals or hub seal and tighten the retaining screws.
17. Adjust the seals according to the procedure in “[Energy Wheel Seal Adjustment](#)” on page 160.
18. Rotate the wheel in a clockwise direction to confirm that it rotates freely with slight drag on seals.

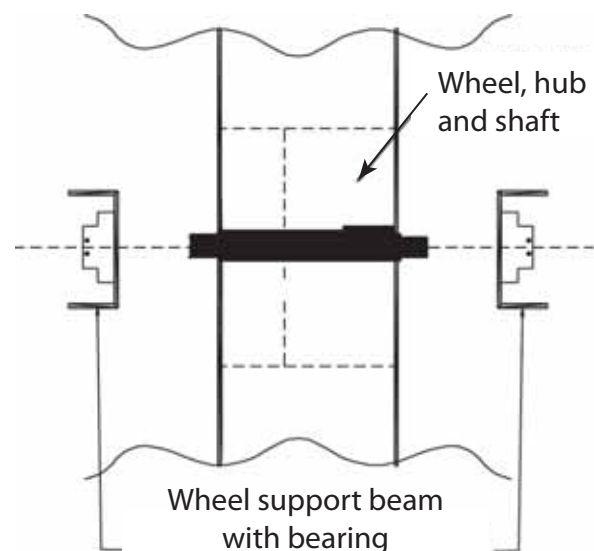
19. Re-install the bearing locking collar.
20. Rotate the collar by hand in the direction of wheel rotation.
21. Lock the collar in position by tapping the drift pin hole with a hammer and drift.
22. Secure the collar in position by tightening the set screw.
23. Re-install the bearing access cover.
24. Apply power to the wheel and ensure that the wheel rotates freely without interference.

For sizes 3 to 8

Bearing removal is not required on slide-out cassettes, unit sizes 3 to 8. These belts may be replaced by temporarily dismounting and rotating the pulley side bearing beam to allow the new belt to be installed on the wheel rim.

1. Disconnect electrical power to the energy wheel.
2. Remove the access panel.
3. Disconnect all controls wiring.
4. Slide the entire cassette assembly out of the module.
5. Loosen the two set screws on the wheel support beam bearings, one on each side of wheel.
6. Remove the belt from the pulley and temporarily position it around the rim.
7. Remove the pulley side wheel support beam with the bearing.
8. Pull the wheel with the shaft straight out of the motor side wheel support beam and bearing (see [Figure 203](#)). Do not disassemble the bearings from the beam unless they require replacement. Handle the wheel with care to avoid distorting the wheel

Figure 203. Unit sizes 3 to 8 bearing assembly



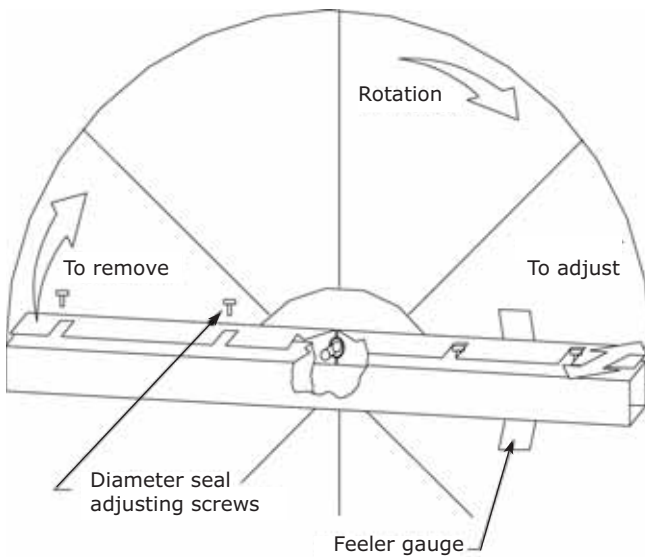
Routine Maintenance

- Reverse the removal procedure to re-install. Check to ensure that the wheel remains in the center of the seal plate opening.

Energy Wheel Seal Adjustment

- Loosen the diameter seal adjustment screws and back the seals away from the wheel surface (see [Figure 204](#)).

Figure 204. To adjust seal, loosen screws, back seals away from wheel surface. Seal seen from bottom section.



- Rotate the wheel clockwise until two opposing spokes are hidden behind the bearing support beam.
- Using a folded piece of paper as a feeler gauge, position the paper between the wheel surface and the diameter seals.
- Adjust the seals toward the wheel surface until slight friction on the paper feeler gauge is felt when the gauge is moved along the length of the spoke.
- Check the adjustment through a full rotation of the wheel.
- Retighten the adjusting screws and recheck the clearance with the paper feeler gauge.

Energy Wheel Drive Motor and Pulley Replacement

⚠ WARNING

Hazardous Voltage!

Failure to disconnect power before servicing could result in death or serious injury. Disconnect all electric power, including remote disconnects before servicing. Follow proper lockout/tagout procedures to ensure the power can not be inadvertently energized.

- Disconnect all electrical power.
- Remove the belt from the pulley and temporarily position it around the wheel rim.
- Measure and record the distance from the inner edge of the pulley to the mounting wall.
- Loosen the set screw in the wheel drive pulley using an Allen wrench and remove the pulley from the motor drive shaft.
- While supporting the weight of the drive motor in one hand, loosen and remove the four mounting bolts.
- Install a replacement motor with the hardware kit supplied.
- Install the pulley and adjust it to the distance recorded in the previous step.
- Tighten the set screw to the drive shaft.
- Stretch the belt over the pulley and engage it in the groove.

Fans

⚠ WARNING

Rotating Components!

Failure to secure rotor or disconnect power before servicing could result in rotating components cutting and slashing technician which could result in death or serious injury. The following procedure involves working with rotating components. Disconnect all electric power, including remote disconnects before servicing. Follow proper lockout/ tagout procedures to ensure the power can not be inadvertently energized. Secure rotor to ensure rotor cannot freewheel.

Inspecting and Cleaning Fans

Fan sections of air handlers should be inspected every six months at a minimum or more frequently if operating experience dictates. If evidence of microbial growth (mold) is found, identify and remedy the cause immediately. Refer to "[Troubleshooting](#)," p. 165 for possible causes and solutions. To clean the fan section:

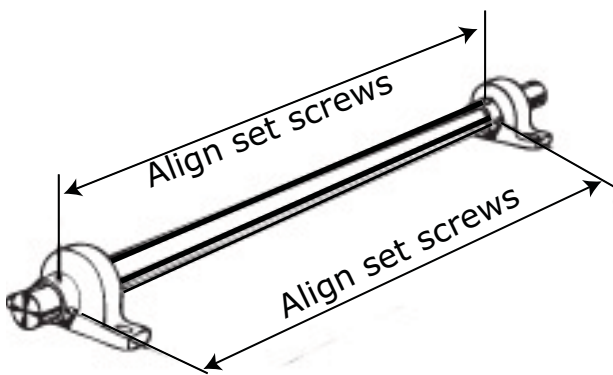
- Disconnect all electrical power to the unit.
- Wearing the appropriate personal protective equipment, remove any contamination.
- Vacuum the section with a vacuum device that uses high-efficiency particulate arrestance (HEPA) filters with a minimum efficiency of 99.97 percent at 0.3 micron particle size.
- Thoroughly clean any contaminated area(s) with a mild bleach and water solution or an EPA-approved sanitizer specifically designed for HVAC use.
- Immediately rinse the affected surfaces thoroughly with fresh water and a fresh sponge to prevent potential corrosion of metal surfaces.

6. Allow the unit to dry completely before putting it back into service.
7. Be careful any contaminated material does not contact other areas of the unit or building. Properly dispose of all contaminated materials and cleaning solution.

Bearing Set Screw Alignment

Align bearing set screws for belt-drive fans as illustrated in [Figure 205](#). See [Table 41, p. 132](#) for set screw torque measurements.

Figure 205. Alignment



Torque Requirements

Refer to [Table 53](#) for minimum torque of motor mounting and bearings bolts. Refer to [Table 41, p. 132](#) for minimum setscrew torque.

Table 53. Minimum hex head bolt torque in lb.-ft. (Grade 5 bolts)

Size (inches)	Thread Designation	Minimum Torque
1/4-20	UNC	6
1/4-28	UNF	7
65/16-18	UNC	14
5/16-24	UNF	16
3/8-16	UNC	24
3/8-24	UNF	28
7/16-14	UNC	42
7/16-20	UNF	45
1/2-13	UNC	69
1/2-20	UNF	83
9/16-12	UNC	99
9/16-18	UNF	118
5/8-11	UNC	150
5/8-18	UNF	176
3/4-10	UNC	254
3/4-16	UNF	301
7/8-9	UNC	358
7/8-14	UNF	422
1-8	UNC	500
1-14	UNF	602

Note: Soft metric conversions are not acceptable for screw and hex sizes.

Fan Bearing Lubrication

NOTICE

Bearing Failure!

Mixing grease within the bearing could result in premature bearing failure. Do not mix greases with different bases within the bearing.

For belt-drive fans, the grease used in electric motor bearings is usually not compatible with the grease used in fan bearings. Never mix the two grease types! See [Table 54](#) for compatible greases and [Table 55](#) for maximum grease capacity.

Note: Lubricate the motor bearing according to the motor manufacturer's recommendations and use the manufacturer-recommended grease. See "Motor Bearing Lubrication," p. 161.

Table 54. Compatible Greases

Type
Texaco Multi Fak 2
Shell Alvania 2
Mobil 532
Chevron Dura-Lith 2
Exxon Beacon
Keystone 84H

Table 55. Fan bearing maximum grease capacity

Shaft size (inches)	Capacity (fluid ounce)
1/2 - 3/4	1/7
7/8 - 1 3/16	3/8
1 1/4 - 1 1/2	5/8
1 11/16 - 1 15/16	7/8
2 - 2 7/16	1 1/4
2 1/2 - 2 15/16	2

- Fan bearings without lubrication lines are sealed bearings. Re-lubrication is not required.
- Fan bearings equipped with lubrication lines should be lubricated with a lithium-based grease that conforms to NLGI No. 2 for consistency.

Motor Bearing Lubrication

Obtain an operation and maintenance manual from the motor manufacturer for the specific motor installed. The motor manufacturer's recommendations take precedence for all matters related to the start-up and routine maintenance of the motor.

Motor grease fittings have been removed from factory-installed motors in compliance with UL regulations. Motor bearings require periodic maintenance throughout their life. Many different styles of motors come as standard selections, so please obtain the motor IOM and use the manufacturer-recommended grease.



Routine Maintenance

Fan Motor Inspection

Inspect fan motors periodically for excessive vibration or temperature. Operating conditions will vary the frequency of inspection and lubrication. Motor lubrication instructions are on the motor tag or nameplate. If for some reason these instructions are not available, contact the motor manufacturer. Some motor manufacturers may not provide oil tubes on motors with permanently sealed bearings.

Filters

⚠ WARNING

Rotating Components!

Failure to secure rotor or disconnect power before servicing could result in rotating components cutting and slashing technician which could result in death or serious injury. The following procedure involves working with rotating components. Disconnect all electric power, including remote disconnects before servicing. Follow proper lockout/ tagout procedures to ensure the power can not be inadvertently energized. Secure rotor to ensure rotor cannot freewheel.

Throwaway Filters

To replace throwaway filters, install new filters with the directional arrows pointing in the direction of airflow.

Note: Bag and cartridge filters must have an airtight seal to prevent air bypass. If using filters not supplied by Trane, apply foam gasketing to the vertical edges of the filter.

Permanent Filters

To clean permanent filters:

1. Disconnect all electrical power to the unit.
2. Wash the filter under a stream of water to remove dirt and lint.
3. Remove oil from the filter with a wash of mild alkali solution.
4. Rinse the filter in clean, hot water and allow to dry.
5. Coat both sides of the filter by immersing or spraying it with Air Maze Filter Kote W or an equivalent.
6. Allow to drain and dry for about 12 hours.
7. Reinstall the filter.

Note: It may be preferable to keep extra, clean filters to replace the dirty filters to minimize unit downtime for filter maintenance.

Cartridge or Bag Filters

To replace cartridge or bag filters:

1. Disconnect all electrical power to the unit.
2. Remove the dirty filters from their installed position.

3. Keeping the new bag filters folded, slide each filter into the filter rack, pushing them tightly against the unit.

Note: The pleats should be in the vertical position.

4. If using the optional pre-filters, replace them on the appropriate filter rack.
5. Close and secure the access door.

Moisture Eliminator

The moisture eliminators in the outside air intake hood must be cleaned periodically. Remove the eliminators by detaching the access panels to either side of the hood. Thoroughly clean the eliminator by using a high pressure sprayer. The airflow direction is imprinted on the frame of the eliminator. Direct the spray into the air leaving side of the eliminator for effective cleaning. Reassemble the eliminator into the hood, ensuring the eliminators are oriented in the proper airflow direction and access covers are securely attached.

Ultraviolet (UV) Light Maintenance

The intensity of the ultraviolet energy emitted from the ultraviolet bulbs is dependent on the cleanliness and age of the bulb. The surface of the bulb should be kept as clean as possible for optimum intensity. Depending on the filtration level of the HVAC system and the general hygiene of the building, periodic cleaning may be necessary. Before attempting any maintenance procedures, always follow all warnings and cautions as detailed in this maintenance section.

⚠ WARNING

Hazardous Voltage and Exposure to Ultraviolet Radiation!

Failure to disconnect power before servicing could result in burns or electrocution which could result in death or serious injury. This product contains components that emit high-intensity ultraviolet (UV-C) radiation which can be harmful to unprotected eyes and skin. Disconnect all electrical power, including remote disconnects, and ensure UV lights are off before servicing. Follow proper lockout/tagout procedures to ensure the power can not be inadvertently energized.

⚠ WARNING

Hazardous Mercury Vapors!

Failure to follow the instructions below could result in death or serious injury. If large numbers of UV bulbs are broken, an appropriate respirator, as described in OSHA 1910.134, MUST be worn to prevent inhalation of mercury vapors. Mercury vapors are toxic and inhaling them could result in poisoning and suffocation.

Cleaning the Bulbs

Note: If bulbs are found to be broken, see the proper warning and cautions below regarding broken bulbs and hazardous vapors.

1. Disconnect all electrical power to the unit and the ultraviolet bulbs.
2. Wearing soft cloth gloves and safety glasses, loosen the compression nut on each end of the bulb, use two hands and firmly grasp the bulb at each end.
3. Rotate the bulb 90 degrees in either direction and move bulb away from the fixture and out of unit.
4. Wipe down each bulb with a clean cloth and alcohol. Avoid touching the bulb with bare hands as skin oils can accelerate future glass soiling and degrade the bulb performance.
5. Wearing soft cloth gloves and safety glasses, install lamp by grasping each non-glass end with the thumb and index fingers. Carefully push lamp ends into previously mounted lamp clamps and tighten compression nuts.
6. Attach the loom to the lamp by firmly pushing the four-port connector onto the four pins on the lamp end.

Note: Connection must be snug to avoid potential arcing.

Replacing the Bulbs

Ultraviolet bulbs should be replaced annually if operated continuously or after 9,000 hours of use if operated intermittently. Replacement bulbs must be the specific size and wattage as originally supplied from the factory. Replacement UV bulb part ID assistance available on the HUB - DOC-136773.

Note: Although the lights may continue to generate a characteristic blue glow beyond 9,000 operating hours, the ultraviolet radiation emitted by the bulbs degrades over time and will no longer provide the intended benefit.

1. Disconnect power to the HVAC unit and the ultraviolet bulbs. SEE WARNING ABOVE.
2. Before installation, lamps should be cleaned using 99 percent isopropyl alcohol and a lint free cloth.

Note: If Teflon coated EncapsuLamp™ is used, it is not necessary to clean the surface.

Figure 206. UV lamp



3. Wearing soft cloth gloves and safety glasses, install lamp by grasping each non-glass end with the thumb and index fingers. Carefully push lamp ends into previously mounted lamp clamps and tighten compression nuts.

Figure 207. Plug pins into socket, then tighten compression nut



4. Attach the loom to the lamp by firmly pushing the four-port connector onto the four pins on the lamp end.

Note: Connection must be snug to avoid potential arcing.

5. If broken bulbs are found or if you are required to dispose of used bulbs, the proper warning and cautions must be followed.

⚠ CAUTION**Broken Glass!**

Failure to handle bulbs properly could result in minor to moderate injury. Bulbs are fragile and can be easily broken. To avoid getting cut, always use cloth gloves and eye protection when handling, cleaning or replacing these bulbs. Bulbs may break if dropped or handled improperly. Refer to the MSDS sheet from the bulb manufacturer for additional safety information.

Disposal of Bulbs

UV bulbs, like fluorescent bulbs, contain mercury, which is a regulated hazardous waste. The disposal requirements for hazardous wastes are determined by local, state and federal guidelines. Check all regulations before disposing of bulbs to assure you have met all requirements.

Refer to the MSDS sheet from the bulb manufacturer for additional disposal, handling and safety information.

After replacing bulbs, close and latch all unit panels and reenergize power to the lights.



Troubleshooting

This section is intended to be used as a diagnostic aid only. For detailed repair procedures, contact your local Trane service representative.

⚠ WARNING

Hazardous Service Procedures!

Failure to follow all of the safety warnings provided, could result in death or serious injury. The maintenance and troubleshooting procedures recommended in this manual could result in exposure to electrical, mechanical or other potential safety hazards. Always refer to the safety warnings provided throughout this manual concerning these procedures. Unless specified otherwise, disconnect all electrical power including remote disconnect and discharge all energy storing devices such as capacitors before servicing. Follow proper lockout/tagout procedures to ensure the power can not be inadvertently energized. When necessary to work with live electrical components, have a qualified licensed electrician or other individual who has been trained in handling live electrical components perform these tasks.

Table 56. Air handler troubleshooting recommendations

Symptom	Probable Cause	Recommended Action
Bearing is excessively hot	First start after relubrication (Grease distribution)	Allow machine to cool down and restart.
	Over-lubrication	Clean surface of grease and purge.
	Over tensioned belts	Adjust belt tension.
	No lubricant	Apply lubricant. Check bearings for damage.
Motor fails to start	Misaligned bearing	Correct alignment. Check shaft level.
	Blown fuse or open circuit breaker	Replace fuse or reset circuit breaker.
	Overload trip	Check and reset overload.
	Improper wiring or connections	Check wiring with diagram supplied on unit.
	Improper current supply	Compare actual supply power with motor nameplate recommendations. Contact power company for adjustments.
Motor stalls	Mechanical failure	Check that motor and drive rotate freely. Check bearing lubricant.
	Open phase	Check line for an open phase.
	Overloaded motor	Reduce load or replace with larger motor.
Excessive vibration	Low line voltage	Check across AC line. Correct voltage if possible.
	Poor alignment	Align bearing set screws (see Table 41, p. 132). Loosen and retighten bearing set screws.
	Shipping spacers not removed	Remove shipping spacers and/or bolts (see "Fan Isolation," p. 73).
	Over tensioned belts	Adjust belt tension.
Motor runs and then dies down	Misaligned drive	Align drive.
	Partial loss of line voltage	Check for loose connections. Determine adequacy of main power supply.
Motor does not come up to speed	Starter shorts when motor warms up	Replace starter.
	Low voltage at motor terminals	Check across AC line and correct voltage loss if possible.
Motor overheats	Line wiring to motor too small	Replace with larger sized wiring.
	Overloaded motor	Reduce load or replace with a larger motor.
Excessive motor noise	Motor fan is clogged with dirt preventing proper ventilation	Remove fan cover, clean fan and replace cover.
	Motor mounting bolts loose	Tighten motor mounting bolts.
	Rigid coupling connections	Replace with flexible connections.
	Worn motor bearings	Replace bearings and seals.
Rapid motor bearing wear	Fan rubbing on fan cover	Remove interference in motor fan housing.
	Excessive overhung load due to over-tensioned drive	Check belt tension and overhung load.
	Excessive overhung load due to a small diameter motor sheave	Replace sheave with larger one.
Loose fan belt	Motor is poorly positioned	Adjust belt tension.
	Worn or damaged belt	Replace belt or belt set. Check sheave alignment.
	Worn sheaves	Replace sheaves.

Troubleshooting

Table 56. Air handler troubleshooting recommendations (continued)

Symptom	Probable Cause	Recommended Action
Short belt life	Worn sheaves	Replace sheaves.
	Misaligned belt	Realign drive with MVP sheave set at mean pitch diameter.
	Grease or oil on belts	Check for leaky bearings. Clean belts and sheaves.
	Belt slipping	Improper belt tension. Adjust tension.
	Belts rubbing	Remove obstruction or realign drive for clearance.
Bearing noise	Poor alignment	Loosen bearing set screws and realign (see "Align Fan and Motor Sheaves," p. 132)
	Failed bearing	Replace bearing.
	Inadequate lubrication	Replace bearing.
Low water coil capacity	Incorrect airflow	Check fan operating condition.
	Incorrect water flow	Inspect the water pumps and valves for proper operation and check the lines for obstructions.
	Incorrect water temperature	Adjust the chiller or boiler to provide the proper water temperature.
	Coil is piped incorrectly	Verify coil piping (see "Piping and Connections," p. 101).
	Dirty fin surface	Clean the fin surface (see "Coils," p. 145).
	Incorrect glycol mixture	Verify glycol mixture and adjust if necessary.
Low refrigerant coil capacity	Incorrect airflow	Check fan operating condition.
	Expansion valve is not operating properly or is sized incorrectly	Check sensing bulb temperature. Verify valve operation. Verify proper valve size.
	Incorrect refrigerant charge	Verify refrigerant charge and adjust if necessary.
	Condensing unit failure	Verify condensing unit operation.
	Coil is piped incorrectly	Verify coil piping (see "Piping and Connections," p. 101).
	Clogged refrigerant line filter	Change filter core.
	Failure of suction/liquid line components	Verify component operation
	Dirty fin surface	Clean the fin surface (see "Coils," p. 145). Do not use steam to clean refrigerant coils.
Fin frosting	Verify defrost cycle operation. Verify frostat operation. Verify refrigerant charge.	
Low steam coil capacity	Incorrect airflow	Check fan operating condition.
	Coil is piped incorrectly	Verify coil piping (see "Piping and Connections," p. 101).
	Incorrect steam pressure	Verify steam pressure and adjust if necessary.
	Excessive steam superheat	Check steam superheat. Steam superheat should not exceed 50°F.
	Failure of steam line/condensate return components	Verify component operation
	Boiler failure	Verify boiler operation
	Dirty fin surface	Clean the fin surface (see "Coils," p. 145).
Drain pan is overflowing	Plugged Drain Line	Clean drain line
	Unit not level	Level unit
	Improper trap design	Design trap per unit installation instructions
Standing water in drain pan	Improper trap design	Design trap per unit installation instructions
	Unit not level	Level unit
	Plugged drain line	Clean drain line
Wet interior	Coil face velocity too high	Reduce fan speed
	Improper trap design	Design trap per unit installation instructions
	Drain pan leaks/overflows	Repair leaks
	Condensation on surfaces	Insulate surfaces
Excess dirt in unit	Missing filters	Replace filters
	Filter bypass	Reduce filter bypass by ensuring all blockoffs are in place.
Microbial growth (mold) inside air handler	Standing water in drain pan	See "Standing water in drain pan" above

Table 56. Air handler troubleshooting recommendations (continued)

Symptom	Probable Cause	Recommended Action
Energy wheel or CDQ wheel will not rotate	Motor is not running	The fuse or circuit breaker may be blown or open. Check the breaker/fuse box and replace.
		There may be a loss of incoming power. Attempt to trace the power loss back to its source and correct.
		The motor may have failed. Check for power at the motor terminals. If present, disconnect the belt from the motor pulley and see if the motor runs without a load. If it still doesn't run, replace the motor.
		The motor may have failed because it is connected to a variable frequency drive. Disconnect the VFD and run the motor on 60 Hz power only.
	Excessive friction at the seals	Re-adjust the diameter seals. See "Energy Wheel Seal Adjustment," p. 160 or "CDQ Seal Adjustment," p. 154 .
	Energy wheel frame or spokes are bent or warped	Inspect the wheel, locate the bent section, and straighten the section or replace the frame.
	During winter operation, excessive frost/ice forms in the heat transfer media	Disconnect power to the wheel motor, adjust outside air dampers shut and let the wheel thaw. After the initial section thaws, rotate the wheel 90 degrees by hand until the "new" section rotates into the warm exhaust air stream. Continue this procedure until the wheel is completely thawed.
Loss of energy wheel capacity	Drive belt is broken	Inspect visually. Replace the drive belt.
	Wheel main shaft bearing is seized	Replace the seized bearing.
	Wheel is not rotating	See above
	Wheel is rotating too slowly	Belt is stretched, slipping. Replace the belt.
		Ice forms on the wheel; thaw per above.
		Seized bearing on the main shaft; replace the bearing.
	Energy transfer surface is contaminated	Excessive friction in seals; adjust.
Clean the energy transfer surfaces. Consider purchasing a second set of energy transfer segments for continuous operation while cleaning.		
Frost/ice forms on heat transfer surfaces	Replace the energy transfer segments if they are severely contaminated and cannot be cleaned. Consider adding a contaminate filter before (upstream) the energy wheel.	
	Thaw the wheel surfaces per procedure above. Consider adding outside air preheat.	
Worn diameter seals in energy wheel	Maximum wheel pressure drop exceeded	Adjust wheel airflow so that the pressure drop across the wheel is less than 1.25 inches wg.
	Seal adjusted too tight	Adjust seals. See "Energy Wheel Seal Adjustment," p. 160 .
UV light fails	Ballast fails to energize light.	Disconnect high voltage leads (green, white, and black connectors) from the ballast enclosure. Wait for three minutes, this will reset the end-of-light circuitry and then reconnect.
	End of life.	Replace bulb. See "Replacing the Bulbs," p. 163 .



Ingersoll Rand (NYSE:IR) advances the quality of life by creating comfortable, sustainable and efficient environments. Our people and our family of brands—including Club Car®, Ingersoll Rand®, Thermo King® and Trane®—work together to enhance the quality and comfort of air in homes and buildings; transport and protect food and perishables; and increase industrial productivity and efficiency. We are a global business committed to a world of sustainable progress and enduring results.



ingersollrand.com

Ingersoll Rand has a policy of continuous product and product data improvement and reserves the right to change design and specifications without notice.
We are committed to using environmentally conscious print practices.