



Installation, Operation, and Maintenance

UniTrane™ Fan Coil and Force-Flo™ Cabinet Heater
200-1200 CFM
Models FC and FF
Low Vertical Models FCKB and FCLB



⚠ SAFETY WARNING

Only qualified personnel should install and service the equipment. The installation, starting up, and servicing of heating, ventilating, and air-conditioning equipment can be hazardous and requires specific knowledge and training. Improperly installed, adjusted or altered equipment by an unqualified person could result in death or serious injury. When working on the equipment, observe all precautions in the literature and on the tags, stickers, and labels that are attached to the equipment.



Introduction

Read this manual thoroughly before operating or servicing this unit.

Warnings, Cautions, and Notices

Safety advisories appear throughout this manual as required. Your personal safety and the proper operation of this machine depend upon the strict observance of these precautions.

The three types of advisories are defined as follows:

⚠ WARNING Indicates a potentially hazardous situation which, if not avoided, could result in death or serious injury.

⚠ CAUTION Indicates a potentially hazardous situation which, if not avoided, could result in minor or moderate injury. It could also be used to alert against unsafe practices.

NOTICE: Indicates a situation that could result in equipment or property-damage only accidents.

Important Environmental Concerns

Scientific research has shown that certain man-made chemicals can affect the earth's naturally occurring stratospheric ozone layer when released to the atmosphere. In particular, several of the identified chemicals that may affect the ozone layer are refrigerants that contain Chlorine, Fluorine and Carbon (CFCs) and those containing Hydrogen, Chlorine, Fluorine and Carbon (HCFCs). Not all refrigerants containing these compounds have the same potential impact to the environment. Trane advocates the responsible handling of all refrigerants-including industry replacements for CFCs and HCFCs such as saturated or unsaturated HFCs and HCFCs.

Important Responsible Refrigerant Practices

Trane believes that responsible refrigerant practices are important to the environment, our customers, and the air conditioning industry. All technicians who handle refrigerants must be certified according to local rules. For the USA, the Federal Clean Air Act (Section 608) sets forth the requirements for handling, reclaiming, recovering and recycling of certain refrigerants and the equipment that is used in these service procedures. In addition, some states or municipalities may have additional requirements that must also be adhered to for responsible management of refrigerants. Know the applicable laws and follow them.

⚠ WARNING

Proper Field Wiring and Grounding Required!

Failure to follow code could result in death or serious injury. All field wiring **MUST** be performed by qualified personnel. Improperly installed and grounded field wiring poses **FIRE** and **ELECTROCUTION** hazards. To avoid these hazards, you **MUST** follow requirements for field wiring installation and grounding as described in NEC and your local/state electrical codes.

⚠ WARNING

Personal Protective Equipment (PPE) Required!

Failure to wear proper PPE for the job being undertaken could result in death or serious injury. Technicians, in order to protect themselves from potential electrical, mechanical, and chemical hazards, **MUST** follow precautions in this manual and on the tags, stickers, and labels, as well as the instructions below:

- Before installing/servicing this unit, technicians **MUST** put on all PPE required for the work being undertaken (Examples; cut resistant gloves/sleeves, butyl gloves, safety glasses, hard hat/bump cap, fall protection, electrical PPE and arc flash clothing). **ALWAYS** refer to appropriate Material Safety Data Sheets (MSDS)/Safety Data Sheets (SDS) and OSHA guidelines for proper PPE.
- When working with or around hazardous chemicals, **ALWAYS** refer to the appropriate MSDS/SDS and OSHA/GHS (Global Harmonized System of Classification and Labelling of Chemicals) guidelines for information on allowable personal exposure levels, proper respiratory protection and handling instructions.
- If there is a risk of energized electrical contact, arc, or flash, technicians **MUST** put on all PPE in accordance with OSHA, NFPA 70E, or other country-specific requirements for arc flash protection, **PRIOR** to servicing the unit. **NEVER PERFORM ANY SWITCHING, DISCONNECTING, OR VOLTAGE TESTING WITHOUT PROPER ELECTRICAL PPE AND ARC FLASH CLOTHING. ENSURE ELECTRICAL METERS AND EQUIPMENT ARE PROPERLY RATED FOR INTENDED VOLTAGE.**

⚠ WARNING**Follow EHS Policies!**

Failure to follow instructions below could result in death or serious injury.

- All Ingersoll Rand personnel must follow Ingersoll Rand Environmental, Health and Safety (EHS) policies when performing work such as hot work, electrical, fall protection, lockout/tagout, refrigerant handling, etc. All policies can be found on the [BOS site](#). Where local regulations are more stringent than these policies, those regulations supersede these policies.
- Non-Ingersoll Rand personnel should always follow local regulations.

Copyright

This document and the information in it are the property of Trane, and may not be used or reproduced in whole or in part without written permission. Trane reserves the right to revise this publication at any time, and to make changes to its content without obligation to notify any person of such revision or change.

Trademarks

All trademarks referenced in this document are the trademarks of their respective owners.

Revision History

Updated for valve change.



Table of Contents

Model Number Descriptions	5	Installation and Initial Setup	67
UniTrane™ Fan Coil/ Force Flo™ Cabinet Heater	5	Adjustments	72
UniTrane™ Fan Coil Low Vertical Model	8	Configurations	75
General Information	10	Installation - Controls	80
Pre-Installation	11	Control Options	80
Receiving and Handling	11	Installation - Controllers	84
Jobsite Storage	11	Tracer® ZN010 and ZN510 Controllers	84
Site Preparation	12	Tracer® ZN520 Controller	84
Dimensions and Weights	13	Tracer® UC400-B Controller	85
Service Clearances	13	Air-Fi® Wireless Communications System	89
Component Data	14	Zone Sensor Options	91
Available Models	15	Zone Sensor Installation	92
Coil Connections	41	Zone Sensor Settings	95
Fresh Air Opening Locations	45	Sensor Operations	97
Wall Box	47	Wireless Sensor Specifications	98
Projection Panel	48	Agency Compliance	99
Installation—Mechanical	49	Wireless Display Sensor (WDS)	99
Installation Checklist	49	Startup	103
Installing the Unit	50	Pre-Startup Checklist	103
Duct Connections	52	Unit Startup	104
Coil Piping and Connections	53	Tracer® ZN010/ZN510 Controllers	104
Piping Package Components	54	Tracer® ZN520 Controllers	106
Hydronic Coil Piping	54	Tracer® UC400-B Controller	114
Water Piping Connections	54	Routine Maintenance	122
Condensate Drain Connections	55	Maintenance Checklist	122
External Insulating Requirements	56	Air Filters	122
Balancing Manual Circuit Setter Valve	57	Coils	123
Installation - Electrical	60	Control Device Replacement	125
Unit Wiring Diagrams	60	Drain Pans	125
Supply Power Wiring	60	Fans	127
Electrical Grounding Restrictions	60	Diagnostics and Troubleshooting	130
Interconnection Wiring	60	Fan Coil and Cabinet Heater	130
MCA and MOP Calculations	61	Wireless Zone Sensors (WZS)	131
ECM Overview and Setup	65	Servicing/Testing Wireless Zone Sensors	136
Overview	65	ZN010, ZN510, and ZN520 Controllers	137
Electronically Commutated Motor (ECM)	65	Tracer® UC400-B Controller	143
VelociTach Motor Control Board	66	ECM Motors	150
		Wiring Diagrams	156



Model Number Descriptions

UniTrane™ Fan Coil/ Force Flo™ Cabinet Heater

Following is a complete description of the UniTrane fan coil and Force Flo cabinet heater model number. Each digit in the model number has a corresponding code that identifies specific unit options.

Note: Not all options are available on all cabinet styles. Contact your local Trane sales representative for more information.

Digits 1, 2 — Unit Type

- FC = Fan Coil
- FF = Force Flo

Digit 3 — Model

- A = Vertical concealed
- B = Vertical cabinet
- C = Horizontal concealed
- D = Horizontal cabinet
- E = Horizontal recessed
- F = Vertical Wall-hung
- H = Vertical recessed
- J = Vertical slope-top
- M = Inverted vertical cabinet
- N = Inverted vertical recessed
- P = Compact concealed

Digit 4 — Development Sequence

- B = Development B

Digits 5, 6, 7 — Unit Cabinet Size

- 020 = 200 cfm
- 030 = 300 cfm
- 040 = 400 cfm
- 060 = 600 cfm
- 080 = 800 cfm
- 100 = 1000 cfm
- 120 = 1200 cfm

Digit 8 — Unit Voltage

- 1 = 115 V/60 Hz/1 PH
- 2 = 208 V/60 Hz/1 PH
- 3 = 277 V/60 Hz/1 PH
- 4 = 230 V/60 Hz/1 PH
- 5 = 208 V/60 Hz/3 PH
- 6 = 230 V/60 Hz/3 PH
- 7 = 480 V/60 Hz/3 PH
- 8 = 115 V/50 Hz/1 PH (SOS ONLY)
- 9 = 220-240 V/50 Hz/1 PH
- A = 220-240 V/50 Hz/3 PH
- B = 380-415 V/50 Hz/3 PH

Digit 9 — Piping System / Placement

- A = Without pipe, RH, Without auxiliary
- B = Without pipe, LH, Without auxiliary
- C = Without pipe, RH, With auxiliary
- D = Without pipe, LH, With auxiliary

- E = Without pipe, RH, Without auxiliary, Extended end
- F = Without pipe, LH, Without auxiliary, Extended end
- G = Without pipe, RH, With auxiliary, Extended end
- H = Without pipe, LH, With auxiliary, Extended end
- J = With pipe, RH
- K = With pipe, LH
- L = With pipe, RH, Extended end
- M = With pipe, LH, Extended end
- N = Without pipe, RH, With auxiliary, Extended end pipe and control side
- P = Without pipe, LH, With auxiliary, Extended end pipe and control side
- Q = With pipe, RH, With auxiliary, Extended end pipe and control side
- R = With pipe, LH, With auxiliary, Extended end pipe and control side

Digits 10, 11 — Design Sequence

- *** = Factory assigned
- AW = AW design

Digit 12 — Inlet Style

- A = Front toe space
- B = Front bar grille
- C = Front stamped louver
- D = Bottom stamped louver
- E = Bottom toe space
- F = Back duct collar
- G = Back exposed fan
- H = Back stamped louver
- J = Top duct collar
- K = Exposed fan
- L = Bottom filter

Digit 13 — Outside Air Damper

- 0 = None
- A = Manual, Bottom opening
- B = Manual, Back opening
- C = Manual, Top opening
- D = Auto, 2-position, Bottom opening
- E = Auto, 2-position, Back opening
- F = Auto, 2-position, Top opening
- G = Economizer, Bottom opening
- H = Economizer, Back opening
- J = Auto, Economizer, Top opening
- K = No damp, Bottom opening
- L = No damp, Back opening
- M = No damp, Top opening

Digit 14 — Outlets Style

- A = Front duct collar
- B = Front bar grille
- C = Front stamped louver
- D = Front quad grille
- E = Bottom duct collar
- F = Bottom stamped louver
- G = Top quad grille
- H = Top bar grille
- J = Top duct collar
- K = Bottom bar grille

Digit 15 — Paint Cabinet Color

- 0 = None (Not painted unit)
- 1 = Deluxe beige
- 2 = Soft dove
- 3 = Cameo white
- 4 = Driftwood grey
- 5 = Stone grey
- 6 = Rose mauve

Digit 16 — Tamperproof Locks / Leveling Feet

- 0 = None
- A = Locking panel
- B = Keylock access door
- C = Locking panel, Keylock access door, Secure grille
- D = Leveling feet
- E = Locking panel with leveling feet
- F = Keylock door with level feet
- G = Locking panel, Key access door, Secure grille, Leveling feet

Digit 17 — Motor Types

- A = Free discharge
- B = High static

Digit 18 — Main Coil

- A = 2-row cooling/heating
- B = 3-row cooling/heating
- C = 4-row cooling/heating
- D = 2-row cooling, 1-row heating
- E = 2-row cooling, 2-row heating
- F = 3-row cooling, 1-row heating
- G = 2-row cooling only or heating only
- H = 3-row cooling only or heating only
- J = 4-row cooling only or heating only
- K = 2-row cooling/heating, Electric heat
- L = 3-row cooling/heating, Electric heat
- M = 4-row cooling/heating, Electric heat
- N = Electric heat only, 1 stage
- P = 2-row cooling/heating, 1-row heating
- Q = 2-row cooling/heating, 2-row heating
- R = 3-row cooling/heating, 1-row heating
- U = Electric heat only, 2 stage
- V = Electric heat, Low kW, 1 stage
- W = Steam coil
- X = 2-row cooling only, Electric heat
- Y = 3-row cooling only, Electric heat
- Z = 4-row cooling only, Electric heat
- 1 = 3-row cooling, 1-row heating with high capacity
- 2 = 3-row cooling/heating, 1-row heating with high capacity
- 3 = Heat pump



Model Number Descriptions

- 4 = Heat pump, Auxiliary electric heat
- 5 = DX cooling
- 6 = DX cooling, Electric preheat

Digit 19 — Drain Pan

- 0 = None - Electric heat only
- 3 = Polymer drain pan
- 4 = Stainless steel drain pan

Digit 20 — Air Vent

- 0 = None
- A = Automatic
- M = Manual

Digits 21, 22, 23 — Electric Heat kW

- 000 = None
- 010 = 1.0 kW (0.75 kW 208 V)
- 015 = 1.5 kW (1.1 kW 208 V)
- 020 = 2.0 kW (1.5 kW 208 V)
- 025 = 2.5 kW (1.9 kW 208 V)
- 030 = 3.0 kW (2.2 kW 208 V)
- 040 = 4.0 kW (3.0 kW 208 V)
- 045 = 4.5 kW (3.3 kW 208 V)
- 050 = 5.0 kW (3.7 kW 208 V)
- 060 = 6.0 kW (4.4 kW 208 V)
- 070 = 7.0 kW (5.3 kW 208 V)
- 075 = 7.5 kW (5.7 kW 208 V)
- 080 = 8.0 kW (6.0 kW 208 V)
- 090 = 9.0 kW (6.6 kW 208 V)
- 100 = 10.0 kW (N/A 208 V)
- 105 = 10.5 kW (7.9 kW 208 V)
- 110 = 11.0 kW (9.0 kW 208 V)
- 120 = 12.0 kW (N/A 208 V)
- 135 = 13.5 kW (10.2 kW 208 V)
- 150 = 15.0 kW (N/A 208 V)
- 180 = 18.0 kW (13.5 kW 208 V)
- 200 = 20.0 kW (15.0 kW 208 V)
- 200 = 21.0 kW (15.0 kW 208 V)
- 220 = 22.0 kW (16.4 kW 208 V)

Digit 24 — Reheat Coil

- 0 = Without reheat
- A = Steam reheat (4 FPI)
- B = Hot water reheat (4 FPI)
- D = High capacity hot water reheat (12 FPI)

Digit 25 — Unit Mounted Disconnect Switch

- 0 = None
- D = With disconnect switch

Digit 26 — Filter Type

- 0 = None
- 1 = 1-in. throwaway
- 2 = 1-in. throwaway MERV 8
- 3 = 1-in. throwaway, one extra
- 4 = 1-in. throwaway MERV 8, one extra
- 5 = 1-in. throwaway, two extras
- 6 = 1-in. throwaway MERV 8, two extras
- 7 = 1-in. throwaway, three extras
- 8 = 1-in. throwaway MERV 8, three extras
- A = 1-in. throwaway MERV 13
- B = 1-in. throwaway MERV 13, one extra
- C = 1-in. throwaway MERV 13, two extras
- D = 1-in. throwaway MERV 13, three extras

Digit 27 — Future Option

- 0 = None

Digit 28 — Future Option

- 0 = None

Digit 29 — Piping Packages

- 0 = None
- A = Basic - Ball valve supply and return
- B = Basic - Ball valve supply and manual circuit setter return
- E = Deluxe - Ball valve supply and manual circuit setter return
- F = Deluxe - Ball valve supply and return with auto flow

Digit 30 — Control Type

- A = Fan speed control
- E = Tracer® ZN010
- F = Tracer® ZN510
- G = Tracer® ZN520
- H = Customer Supplied Terminal - STAT Interface (CSTI)
- L = Tracer® UC400-B
- M = Tracer® UC400-B with Wireless Communications Interface (WCI)
- N = CSTI with fan status

Digit 31 — Control Options

- 0 = None
- V = Unit-mounted zone sensor module (OALMH and Setpoint dial)
- W = Wall-mounted zone sensor module (OALMH and Setpoint dial)
- X = Unit-mounted fan mode switch, Wall-mounted zone sensor (Setpoint dial)
- Y = Unit-mounted fan mode switch, Wall-mounted zone sensor (Setpoint dial, On/CANCEL, Comm. jack)
- Z = Unit-mounted zone sensor module (OALMH, Setpoint dial, On/CANCEL buttons)
- 1 = Wall-mounted zone sensor module (On/CANCEL buttons, Comm. jack)
- 2 = Wall-mounted zone sensor module (OALMH, Setpoint dial, On/CANCEL, Comm. jack)
- 4 = Wall-mounted digital zone sensor (O/A/H/M/L, Setpoint dial, On/CANCEL, Comm. jack)
- 6 = Wireless zone sensor (Setpoint dial, Occupied/Unoccupied buttons)
- 7 = Wireless display sensor, Unit-receiver (OALMH)
- 8 = Unit-mounted variable speed control
- 9 = Wall-mounted variable speed control

Digit 32 — IAQ Options

- 0 = None
- 1 = Dehumidification
- 2 = VOC/CO₂
- 3 = Dehumidification and VOC/CO₂
- 4 = Dehumidification with sensor

- 5 = Air-Fi® Dehumidification and VOC/CO₂
- 6 = Air-Fi® Dehumidification with sensor
- 7 = Air-Fi® CO₂

Digit 33 — FLA Motor Options

- 0 = Standard ECM
- A = Reduced FLA

Digit 34 - Control Options

- 0 = None
- A = Low limit sensor
- B = Condensate overflow
- C = Low limit and condensate overflow

Digit 35 — Main Valve Type

- 0 = None
- A = 2-way, 2-position N.C.
- B = 2-way, 2-position N.O.
- C = 3-way, 2-position N.C.
- D = 3-way, 2-position N.O.
- E = 2-way, Modulating
- F = 3-way, Modulating
- G = 2-way, Analog (2-10 VDC)
- H = 3-way, Analog (2-10 VDC)
- J = Field supplied, 2-position N.C.
- K = Field supplied, 2-position N.O.
- L = Field supplied, Modulating
- M = Field supplied, Analog (2-10 VDC)

Digit 36 — Cv Main Valve

- 0 = None
- A = 2-way 1.4 Cv
- B = 2-way 2.4 Cv
- C = 2-way 3.4 Cv
- D = 3-way 1.0 Cv
- E = 3-way 2.7 Cv
- F = 3-way 4.6 Cv

Digits 37 — Auxiliary Valve Type

- 0 = None
- A = 2-way, 2-position N.C.
- B = 2-way, 2-position N.O.
- C = 3-way, 2-position N.C.
- D = 3-way, 2-position N.O.
- E = 2-way, Modulating
- F = 3-way, Modulating
- G = 2-way, Analog (2-10 VDC)
- H = 3-way, Analog (2-10 VDC)
- J = Field supplied, 2-position N.C.
- K = Field supplied, 2-position N.O.
- L = Field supplied, Modulating
- M = Field supplied, Analog (2-10 VDC)

Digits 38 — Cv Auxiliary Valve

- 0 = None
- A = 2-way 1.4 Cv
- B = 2-way 2.4 Cv
- C = 2-way 3.4 Cv
- D = 3-way 1.0 Cv
- E = 3-way 2.7 Cv
- F = 3-way 4.6 Cv

Model Number Descriptions

Digit 39 — Recessed Options

0	=	None
A	=	5/8 in. standard recessed panel
B	=	2 in. projection panel
C	=	2.5 in. projection panel
D	=	3 in. projection panel
E	=	3.5 in. projection panel
F	=	4 in. projection panel
G	=	4.5 in. projection panel
H	=	5 in. projection panel
J	=	5.5 in. projection panel
K	=	6 in. projection panel
L	=	2 in. Falseback
M	=	3 in. Falseback
N	=	4 in. Falseback
P	=	5 in. Falseback
Q	=	6 in. Falseback
R	=	7 in. Falseback
T	=	8 in. Falseback

Digit 40 — Main Auto Flow GPM

0	=	None	H	=	3.5
B	=	0.75	J	=	4.0
C	=	1.0	K	=	4.5
D	=	1.5	L	=	5.0
E	=	2.0	M	=	6.0
F	=	2.5	N	=	7.0
G	=	3.0	P	=	8.0

Digit 41 — Auxiliary Auto Flow GPM

0	=	None	H	=	3.5
B	=	0.75	J	=	4.0
C	=	1.0	K	=	4.5
D	=	1.5	L	=	5.0
E	=	2.0	M	=	6.0
F	=	2.5	N	=	7.0
G	=	3.0	P	=	8.0

Digit 42 — Subbases

0	=	None
A	=	2 in. height
B	=	3 in. height
C	=	4 in. height
D	=	5 in. height
E	=	6 in. height
F	=	7 in. height

Digit 43 — Recessed Flange

0	=	None
A	=	With recessed flange

Digit 44 — Wall Box

0	=	None
A	=	Clear anodized



Model Number Descriptions

UniTrane™ Fan Coil Low Vertical Model

Following is a complete description of the UniTrane fan coil low height vertical model.

Digits 1, 2 — Unit Type

FC = Fan Coil

Digit 3 — Unit Model Type

K = Low vertical concealed
L = Low vertical cabinet

Digit 4 — Development Sequence

B = Development B

Digit 5, 6, 7 — Unit cfm

030 = 300 cfm
040 = 400 cfm
060 = 600 cfm

Digit 8 — Unit Voltage

1 = 115 V/60 Hz/1 PH
2 = 208 V/60 Hz/1 PH
3 = 277 V/60 Hz/1 PH
4 = 230 V/60 Hz/1 PH

Digit 9 — Piping system placement

C = Without piping, Right hand, With aux drain pan
D = Without piping, Left hand, With aux drain pan
J = With piping, Right hand, With aux drain pan
K = With piping, Left hand, With aux drain pan

Digit 10, 11— Design Sequence

** = Factory assigned

Digit 12 — Inlet

A = Front toe space
B = Front bar grille

Digit 13 — Outside Air Damper

0 = None
B = Manual, Back opening
E = Auto, 2-position, Back opening

Digit 14 — Outlet

G = Top quad grille
H = Top bar grille
J = Top duct collar

Digit 15 — Unit Color

0 = None
1 = Deluxe beige
2 = Soft dove
3 = Cameo white
4 = Driftwood grey
5 = Stone grey
6 = Rose mauve
7 = To be selected later

Digit 16 — Tamperproof Locks/Leveling Feet

0 = None
B = Keylock access door
D = Leveling feet
F = Keylock access door with leveling feet

Digit 17 — Coil Type

A = 2-row cooling/heating
B = 3-row cooling/heating
C = 4-row cooling/heating
D = 2-row cooling, 1-row heating
E = 2-row cooling, 2-row heating
F = 3-row cooling, 1-row heating
K = 2-row cooling/heating, Electric heat
P = 2-row cooling/heating, 1-row heating
Q = 2-row cooling/heating, 2-row heating
R = 3-row cooling/heating, 1-row heating
X = 2-row cooling only, Electric heat

Digit 18 — Air Vent (Coil)

0 = None
A = Auto
M = Manual

Digit 19, 20, 21 — Electric Heat kW

000 = None
010 = 1.0 kW (0.75 kW 208 V)
015 = 1.5 kW (1.1 kW 208 V)
020 = 2.0 kW (1.5 kW 208 V)
025 = 2.5 kW (1.9 kW 208 V)
030 = 3.0 kW (2.2 kW 208 V)
040 = 4.0 kW (3.0 kW 208 V)

Digit 22 — Reheat

0 = None
C = Electric Heat (N/A)

Digit 23 — Disconnect Switch

0 = None
D = With disconnect switch

Digit 24 — Filter Type

0 = None
1 = 1 in. throwaway filter

Digit 25 — Future Option

0 = None

Digit 26 — Future Option

0 = None

Digit 27 — Piping Packages

0 = None
A = Basic - Ball valve supply and return
B = Basic - Ball valve supply and manual circuit setter return
E = Deluxe - Ball valve supply and manual circuit setter return
F = Deluxe - Ball valve supply and return with auto flow

Digit 28 — Control Type

0 = None
A = Fan speed switch
D = Tracer®ZN010
E = Tracer® ZN510

F = Tracer® ZN520
H = Customer Supplied Terminal - STAT Interface
L = Tracer® UC400-B
M = Tracer® UC400-B with Wireless Communications Interface (WCI)
N = CSTI with fan status
P = Tracer® UC400-B - WCI and CO2

Digit 29 — Control Options

0 = None
V = Unit-mounted zone sensor module (OALMH and Setpoint dial)
W = Wall-mounted zone sensor module (OALMH and Setpoint dial)
X = Unit-mounted fan mode switch, Wall-mounted (Setpoint dial)
Y = Unit-mounted fan mode switch, Wall-mounted zone sensor (Setpoint dial, ON/CANCEL, Comm. jack)
Z = Unit-mounted zone sensor module (OALMH, Setpoint dial, ON/CANCEL buttons)
1 = Wall-mounted zone sensor module (ON/CANCEL buttons, Comm. jack)
2 = Wall-mounted zone sensor module (OALMH, Setpoint dial, ON/CANCEL, Comm. jack)
4 = Wall-mounted digital zone sensor (OALMH, Setpoint, ON/CANCEL, Comm. jack)
6 = Wireless zone sensor (Setpoint dial, Occupied/Unoccupied buttons)
7 = Wireless display sensor, unit receiver (OALMH)
8 = Unit-mounted variable speed control
9 = Wall-mounted variable speed control

Digit 30 — IAQ (N/A)

0 = None
1 = Dehumidification
3 = Polymer drain pan
4 = Stainless steel drain pan

Digit 31 — FLA Motor Option

0 = Standard ECM
A = Reduced FLA

Digit 32 - Control Option

0 = None
A = Low limit sensor
B = Condensate overflow
C = Low limit and condensate Overflow

Digit 33 — Main Valve Type

0 = None
A = 2-way, 2-position N.C.
B = 2-way, 2-position N.O.
C = 3-way, 2-position N.C.
D = 3-way, 2-position N.O.
E = 2-way, Modulating
F = 3-way, Modulating
G = 2-way, Analog (2-10 VDC)
H = 3-way, Analog (2-10 VDC)
J = Field supplied, 2-position N.C.

Model Number Descriptions

- K = Field supplied, 2-position N.O.
- L = Field supplied, Modulating
- M = Field supplied, Analog (2-10 VDC)

Digit 34 — Cv Main Valve

- 0 = None
- A = 2-way 1.4 Cv
- B = 2-way 2.4 Cv
- C = 2-way 3.4 Cv
- D = 3-way 1.0 Cv
- E = 3-way 2.7 Cv

Digits 35 — Auxiliary Valve Type

- 0 = None
- A = 2-way, 2-position N.C.
- B = 2-way, 2-position N.O.
- C = 3-way, 2-position N.C.
- D = 3-way, 2-position N.O.
- E = 2-way, Modulating
- F = 3-way, Modulating
- G = 2-way, Analog (2-10 VDC)
- H = 3-way, analog (2-10 VDC)
- J = Field supplied, 2-position N.C.
- K = Field supplied, 2-position N.O.
- L = Field supplied, Modulating
- M = Field supplied, Analog (2-10 VDC)

Digits 36 — Cv Auxiliary Valve

- 0 = None
- A = 2-way 1.4 Cv
- B = 2-way 2.4 Cv
- C = 2-way 3.4 Cv
- D = 3-way 1.0 Cv
- E = 3-way 2.7 Cv

Digit 37 — Main Auto Flow GPM

- 0 = None
- A = 0.75
- B = 1.0
- C = 1.5
- D = 2.0
- E = 2.5
- F = 3.0
- G = 3.5
- H = 4.0
- J = 4.5

Digit 38 — Auxiliary Auto Flow GPM

- 0 = None
- A = 0.75
- B = 1.0
- C = 1.5
- D = 2.0
- E = 2.5
- F = 3.0
- G = 3.5
- H = 4.0
- J = 4.5



General Information

UniTrane™ fan coils and Force Flo™ cabinet heaters are intended for single zone applications. These units have load capabilities of 200 to 1200 cfm. See [Figure 1](#) for unit components.

Fan coils provide cooling and heating, and are available as two-pipe, with or without electric heat (one hydronic circuit) or four-pipe (two hydronic circuits).

Cabinet heaters are for heating only, and feature two-pipe hydronic, electric heat only, or steam only.

These units feature a variety of factory mounted piping packages.

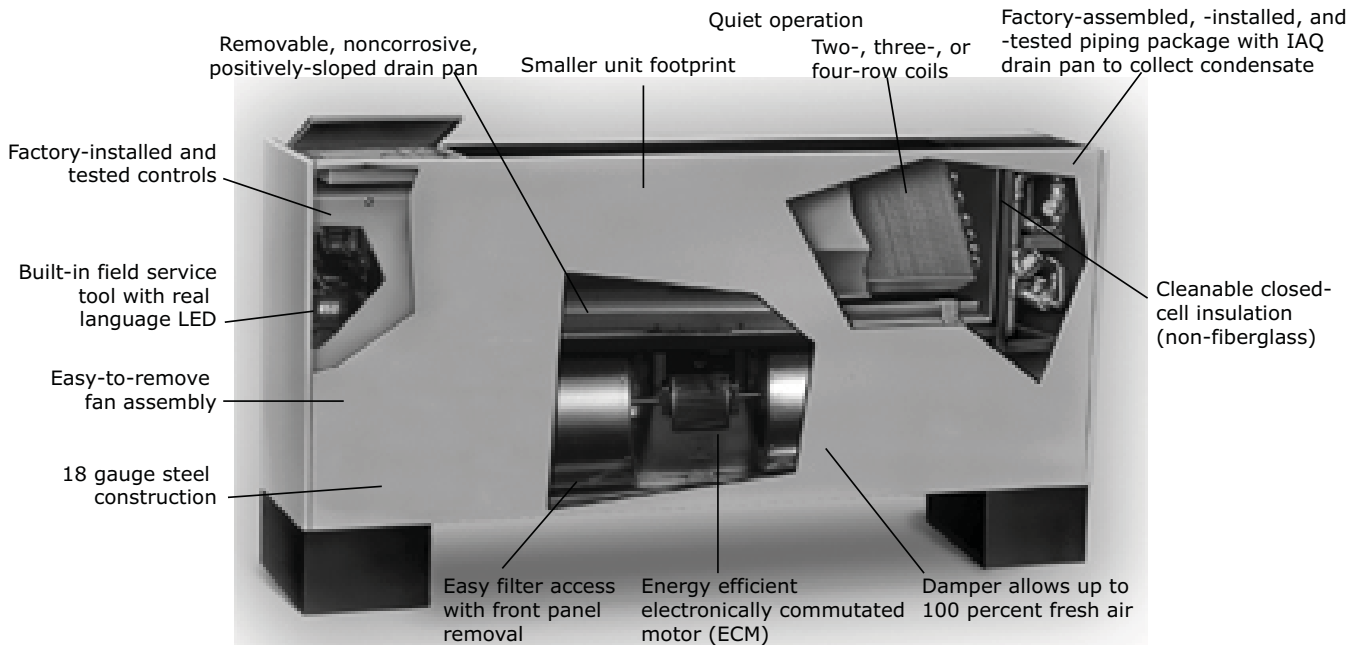
Units with the variable speed fan switch only, are available with the switch mounted on the unit, or shipped separately, to be mounted in the occupied space. The

variable speed switch option, which ships separately, comes with a low voltage (24 volt AC) transformer.

The Tracer® ZN010, ZN510, ZN520, and UC400-B controllers are included inside the units control box assembly. These controllers utilize analog signals from a unit-mounted control device or from a control device mounted in the occupied space.

The Customer Supplied Terminal Interface (CSTI) option, includes a 24 volt AC transformer, and an interface terminal board. Controls provided by an external source can be tied into the interface terminal board utilizing the integrated terminal block with 3mm screw connections.

Figure 1. UniTrane fan-coil and Force Flo cabinet heater components (vertical cabinet model shown)





Pre-Installation

⚠ WARNING

Hazardous Voltage w/Capacitors!

Failure to disconnect power and discharge capacitors before servicing could result in death or serious injury. Disconnect all electric power, including remote disconnects and discharge all motor start/run capacitors before servicing. Follow proper lockout/tagout procedures to ensure the power cannot be inadvertently energized. For variable frequency drives or other energy storing components provided by Trane or others, refer to the appropriate manufacturer's literature for allowable waiting periods for discharge of capacitors. Verify with an appropriate voltmeter that all capacitors have discharged.

For additional information regarding the safe discharge of capacitors, see PROD-SVB06A-EN

Receiving and Handling

Inspection

Upon delivery, thoroughly inspect all components for any shipping damage that may have occurred, and confirm that the shipment is complete. See the Receiving Checklist section below for detailed instructions.

Note: Delivery cannot be refused. All units are shipped F.O.B. factory. Trane is not responsible for shipping damage.

Packaging/Shipping

UniTrane fan coils and Force-Flo cabinet heaters ship in individual cartons for handling and storage ease.

Field-installed sensors ship separately inside the unit's main control panel.

Identification

Each carton has tagging information such as the model number, sales order number, serial number, unit size, piping connections, and unit style to help properly locate the unit in the floor plan. If specified, the unit will ship with tagging designated by the customer.

Handling

Trane recommends leaving units and accessories in their shipping packages/skids for protection and handling ease until installation. Remove the skids before placing the unit in its permanent location.

Receiving Checklist

Complete the following checklist immediately after receiving shipment to detect possible shipping damage.

- Check to ensure that the shipment is complete. Small components may ship inside the unit or ship separately. Check the parts list to ensure all materials are present.
- Check all units, components, connections, and piping. Check fan wheel for free rotation by spinning manually. Check all doors, latches and hinges. Inspect interior of each unit or section. Inspect coils for damage to fin surface and coil connections. Check for rattles, bent corners, or other visible indications of shipping damage. Tighten loose connections.
- If a unit is damaged, make specific notations concerning the damage on the freight bill. Do not refuse delivery.
- Notify the carrier's terminal of the damage immediately by phone and mail. Request an immediate joint inspection of the damage by the carrier and consignee.
- Notify your Trane sales representative of the damage and arrange for repair. Do not attempt to repair the unit without consulting the Trane representative.
- Inspect the unit for concealed damage as soon as possible after delivery. Report concealed damage to the freight line. It is the receiver's responsibility to provide reasonable evidence that concealed damage did not occur after delivery. Take photos of damaged material if possible.

Note: Concealed damage must be reported within 15 days of receipt.

Jobsite Storage

This unit is intended for indoor use only. It is the sole responsibility of the customer to provide the necessary protection to prevent vandalism and weather protection of the equipment. Under no circumstance should the unit be left unprotected from the elements.

NOTICE:

Microbial Growth! (1 of 2)

Wet interior unit insulation can become an amplification site for microbial growth (mold), which could result in odors and damage to the equipment and building materials. If there is evidence of microbial growth on the interior insulation, it should be removed and replaced prior to operating the system.

If indoor storage is not possible, Trane makes the following recommendations to prevent damage:



Pre-Installation

Note: Keep the equipment on the original wooden blocks/skid for protection and ease of handling.

- Select a well-drained area, preferably a concrete pad or blacktop surface.
- Place the unit on a dry surface or raised off the ground to assure adequate air circulation beneath the unit and to assure no portion of the unit will contact standing water at any time.
- Cover the unit securely with a canvas tarp.

NOTICE:

Corrosion!

To prevent corrosion damage or wet stains, use only canvas tarps to cover air handlers. Plastic tarps can cause condensation to form in and on the equipment.

- Do not stack units.
- Do not pile other material on the unit.

Site Preparation

- Ensure the installation site can support the total weight of the unit (see the Dimensions and Weights chapter for approximate section weights; refer to the unit submittals for actual weights).
- Allow sufficient space for adequate free air and necessary service access as shown in the Dimensions and Weights chapter. Refer to submittals for specific minimums.
- Allow one and one half fan diameters above the unit before the discharge ductwork makes any turns.
- Allow room for supply and return piping, ductwork, electrical connections, and coil removal. Support all piping and ductwork independently of the unit to prevent excess noise and vibration.
- Ensure there is adequate height for coil piping and condensate drain requirements. See "[Condensate Drain Connections](#)," p. 55.
- Consider coil piping and condensate drain requirements. Verify condensate line is continuously pitched one inch per 10 feet of condensate line run to adequately drain condensate.

- Confirm the floor or foundation is level. For proper unit operation, the unit must be level (zero tolerance) in both horizontal axis.

NOTICE:

Microbial Growth! (2 of 2)

Failure to follow instructions below could result in odors and damage to the equipment and building materials. The floor or foundation must be level and the condensate drain at the proper height for proper coil drainage and condensate flow. Standing water and wet surfaces inside the equipment can become an amplification site for microbial growth (mold).

- If the unit is to be ceiling mounted, the installer/contractor must provide threaded suspension rods. All units must be installed level.
- Vertical recessed/concealed units require wall/ceiling openings. Refer to submittal for specific dimensions before attempting to install.
- Horizontal recessed/concealed units must meet the requirements of the National Fire Protection Association (NFPA) Standard 90A or 90B concerning the use of concealed ceiling spaces as return air plenums. Refer to the submittal for specific dimensions of ceiling openings.
- Touch up painted panels if necessary. If panels need paint, sanding is not necessary. However, clean the surface of any oil, grease, or dirt residue so the paint will adhere. Purchase factory approved touch up epoxy paint from your local Trane Service Parts Center and apply.
- Units have either right or left hand piping. Reference piping locations by facing the front of the unit (airflow discharges from the front). The control panel is always on the end opposite the piping.
- The fan board assembly and main drain pan are easily removable for cleaning. See the Routine Maintenance chapter for more details on servicing.

Dimensions and Weights

Service Clearances

Service access is available from the front on vertical units and from the bottom on horizontal units. Cabinet and recessed units have removable front or bottom panels to

allow access into the unit. See the figures below for recommended service and operating clearances.

Figure 2. Recommended service clearances for vertical units

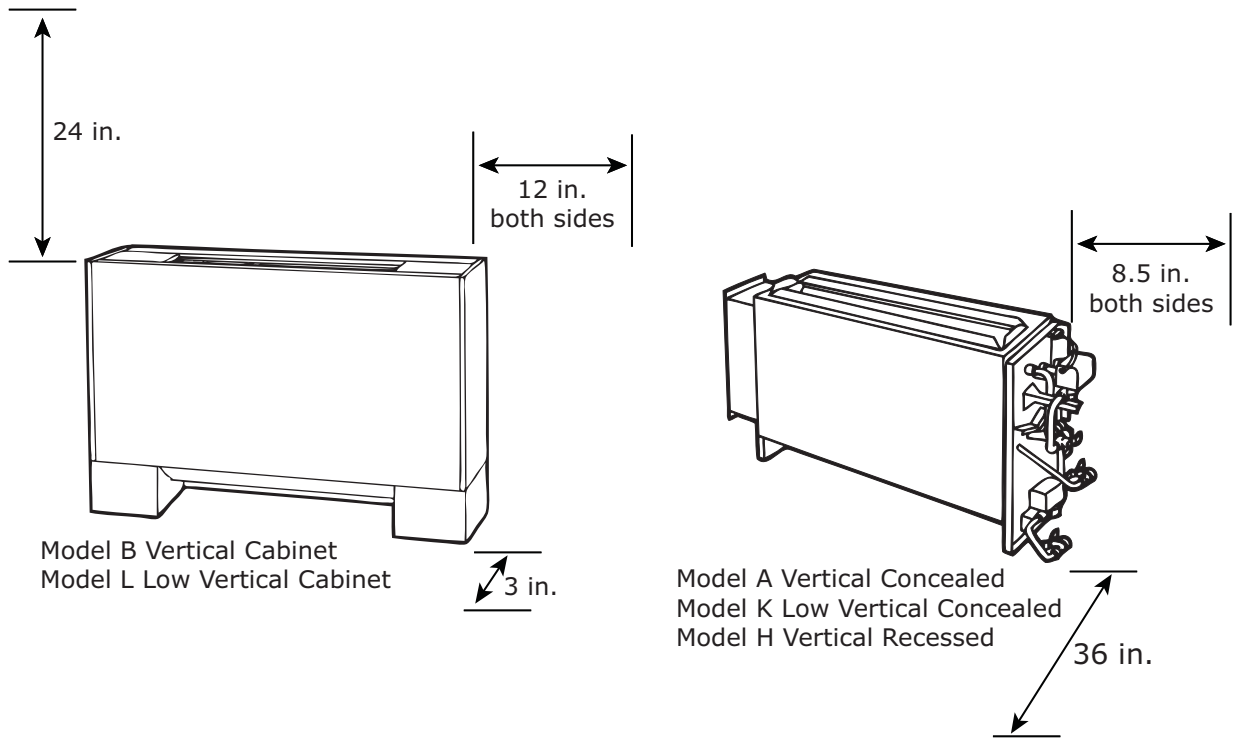
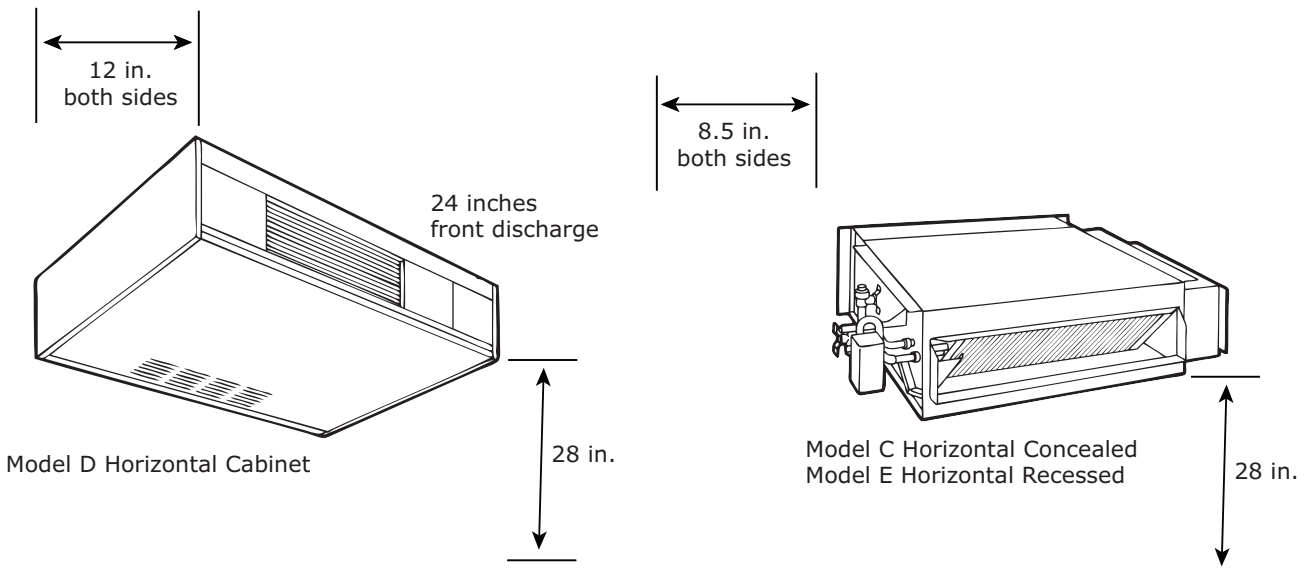


Figure 3. Recommended service clearances for horizontal units





Dimensions and Weights

Component Data

Table 1. Fan coil and cabinet heater component data

Unit Size	02	03	04	06	08	10	12
Coil Data							
Face Area (ft ²)	0.80	0.80	1.10	1.60	2.10	3.20	3.20
L x D x H (in.)							
2-Row	15 x 1.7 x 8	15 x 1.7 x 8	20 x 1.7 x 8	29.5 x 1.7 x 8	38 x 1.7 x 8	57 x 1.7 x 8	57 x 1.7 x 8
3-Row	15 x 2.6 x 8	15 x 2.6 x 8	20 x 2.6 x 8	29.5 x 2.6 x 8	38 x 2.6 x 8	57 x 2.6 x 8	57 x 2.6 x 8
4-Row	15 x 3.5 x 8	15 x 3.5 x 8	20 x 3.5 x 8	29.5 x 3.5 x 8	38 x 3.5 x 8	57 x 3.5 x 8	57 x 3.5 x 8
Volume (gal.)							
1-Row (Heat)	0.06	0.06	0.08	0.11	0.14	0.21	0.21
2-Row	0.12	0.12	0.15	0.22	0.28	0.42	0.42
3-Row	0.18	0.18	0.23	0.33	0.42	0.62	0.62
4-Row	0.24	0.24	0.30	0.44	0.56	0.83	0.83
Refrigerant volume (cubic in.)							
3-Row	----	----	----	76.23	97.02	143.22	----
4-Row	----	----	----	----	----	----	191.73
Fins per inch							
2-Row	12	12	12	12	12	12	12
3-Row	12	12	12	12	12	12	12
3/1-Row high capacity	16	16	16	16	16	16	16
4-Row	12	12	12	12	12	12	12
Reheat Coil Data (1-Row), Standard, or High-Capacity¹							
Hot Water or Steam							
Face Area (ft ²)	0.60	0.60	0.80	1.20	1.60	2.40	2.40
L x D x H (in.)	15 x 1.5 x 6	15 x 1.5 x 6	20 x 1.5 x 6	29.5 x 1.5 x 6	38 x 1.5 x 6	57 x 1.5 x 6	57 x 1.5 x 6
Volume (gal.)	0.12	0.12	0.15	0.22	0.28	0.42	0.42
Standard Capacity ^(a) Fins/in.	4	4	4	4	4	4	4
High-Capacity Fins/in.	12	12	12	12	12	12	12
Fan/Motor Data							
Fan Quantity	1	1	1	2	2	3	3
Size — Dia x Width (in.)	6.31 x 4	6.31 x 6.5	6.31 x 7.5	6.31 x 6.5	6.31 x 7.5	(1) 6.31 x 7.5	6.31 x 7.5
Size — Dia x Width (in.)						(2) 6.31 x 6.5	
Motor Quantity	1	1	1	1	1	2	2
Filter Data							
1-in. Throwaway and Pleated Media							
Quantity	1	1	1	1	1	1	1
Size (in.)	8-7/8 x 19-1/8	8-7/8 x 19-1/8	8-7/8 x 24-1/8	8-7/8 x 33-5/8	8-7/8 x 42-1/8	8-7/8 x 61-1/8	8-7/8 x 61-1/8
1-in. Fresh Air Filter (only on cabinet styles D, E, and H with bottom return and fresh air opening)							
Quantity	1	1	1	1	1	1	1
Size (in.)	5-1/2 x 19-1/8	5-1/2 x 19-1/8	5-1/2 x 24-1/8	5-1/2 x 33-5/8	5-1/2 x 42-1/8	5-1/2 x 61-1/8	5-1/2 x 61-1/8

(a) Standard and high-capacity reheat coils share the same component data except that standard capacity reheat coils have 4 fins/in. while high-capacity reheat coils have 12 fins/in

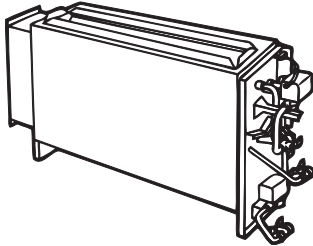
Table 2. Low vertical fan coil component data

Unit Size	03	04	06
Coil Data			
Face Area (ft ²)	1.10	1.60	2.10
L x D x H (in.)			
2-Row	20 x 1.7 x 8	29.5 x 1.7 x 8	38 x 1.7 x 8
3-Row	20 x 2.6 x 8	29.5 x 2.6 x 8	38 x 2.6 x 8
Volume (gal.)			
1-Row (Heat)	0.08	0.11	0.14
2-Row	0.15	0.22	0.28
3-Row	0.23	0.33	0.42
Fins per inch			
2-Row	12	12	12
3-Row	12	12	12
Fan/Motor Data			
Fan Quantity	1	1	1
Size — Dia x Width (in.)	5.00 x 23.00	5.00 x 32.00	5.00 x 41.00
Motor Quantity	1	1	1
Filter Data			
1-in. Throwaway			
Quantity	1	1	1
Size — in.	8-7/8 x 24-1/8	8-7/8 x 33-5/8	8-7/8 x 42-1/8

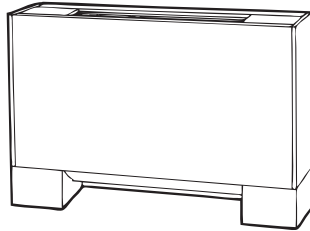
Note: Low vertical model not available for Force Flo cabinet heaters.

Available Models

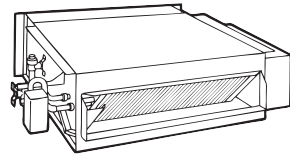
Figure 4. Available UniTrane fan coils and Force Flo cabinet heaters



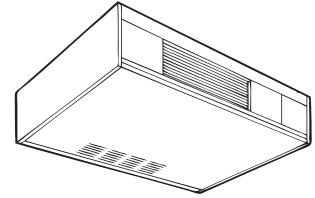
Model A:
Vertical Concealed



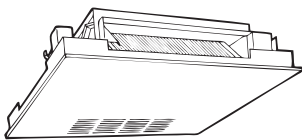
Model B:
Vertical Cabinet



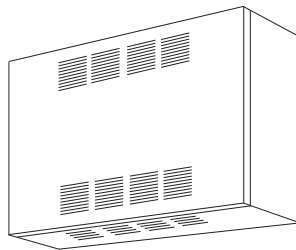
Model C:
Horizontal Concealed



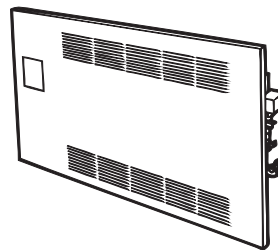
Model D:
Horizontal Cabinet



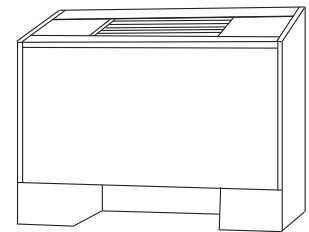
Model E:
Horizontal Recessed



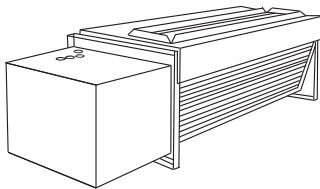
Model F:
Wall Hung Cabinet
(Force-Flo units only)



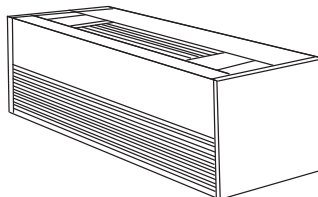
Model H:
Vertical Recessed



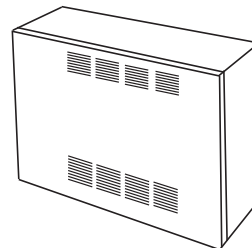
Model J:
Vertical Slope Top Cabinet



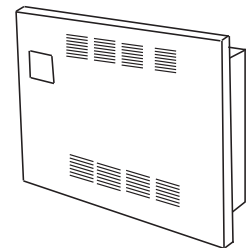
Model K:
Low Vertical Concealed



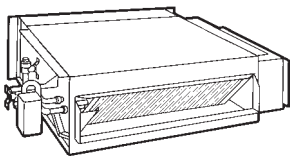
Model L:
Low Vertical Cabinet



Model M:
Inverted Vertical Cabinet
(Force-Flo units only)



Model N:
Inverted Vertical Recessed
(Force-Flo units only)

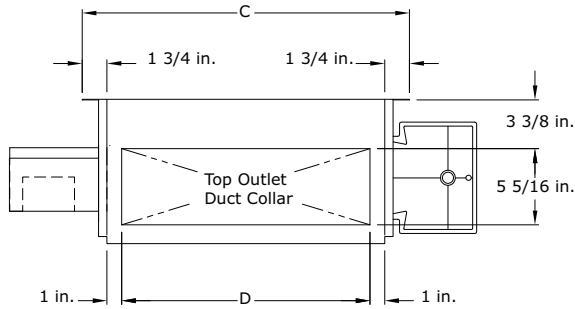


Model P:
Compact Concealed

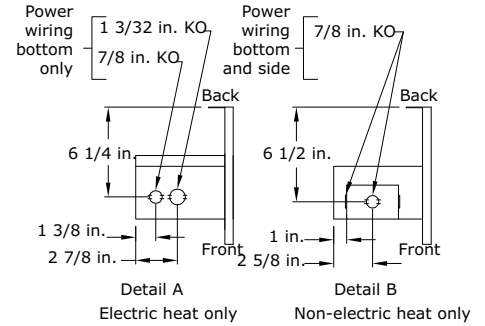
Model A Vertical Concealed

Figure 5. Model A Vertical Concealed

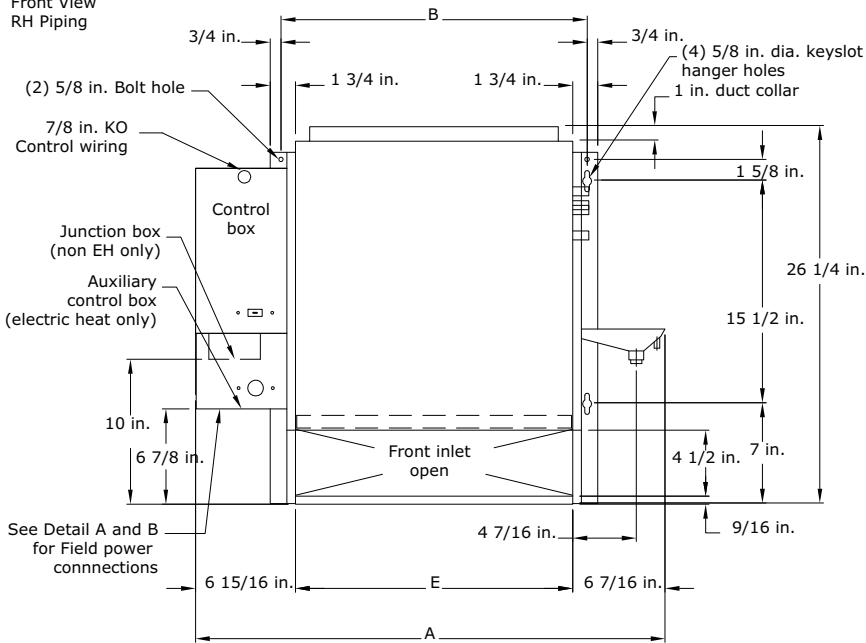
Top View



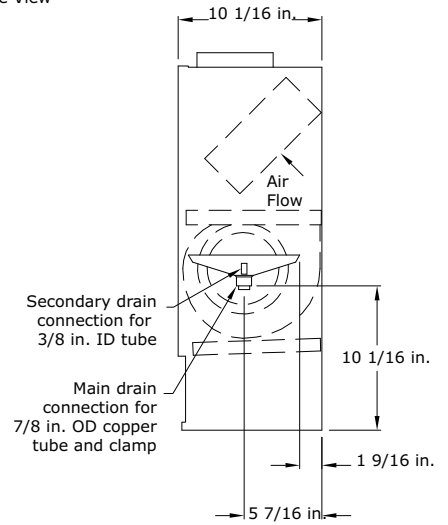
Bottom View



Front View
RH Piping



Side View



Front View
LH Piping

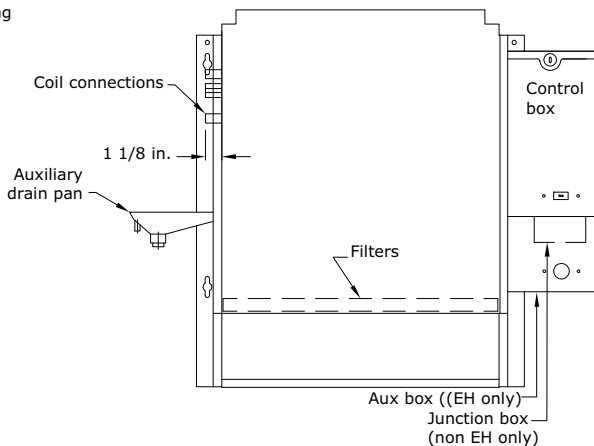


Table 3. Model A Vertical concealed unit dimensions (inches)

Unit Size	200-300	400	600	800	1000-1200
No. Fans	1	1	2	2	3
No. Motors	1	1	1	1	2
A	32 11/16	37 11/16	47 3/16	55 11/16	74 11/16
B	21 5/16	26 5/16	35 13/16	44 5/16	63 5/16
C	22 13/16	27 13/16	37 5/16	45 13/16	64 13/16
D	17 5/16	22 5/16	2'-7 13/16	40 5/16	59 5/16
E	19 5/16	24 5/16	33 13/16	42 5/16	61 5/16

Notes: Coil connections are always on the drain pan side and opposite the control box. Coil connections are 5/8-in. O.D. sweat. See the Coil Connections section for locations. All duct collar dimensions are to the outside of the collar. See the Fresh Air Openings Locations section for dimensions.

Model B Vertical Cabinet

Figure 6. Model B vertical cabinet

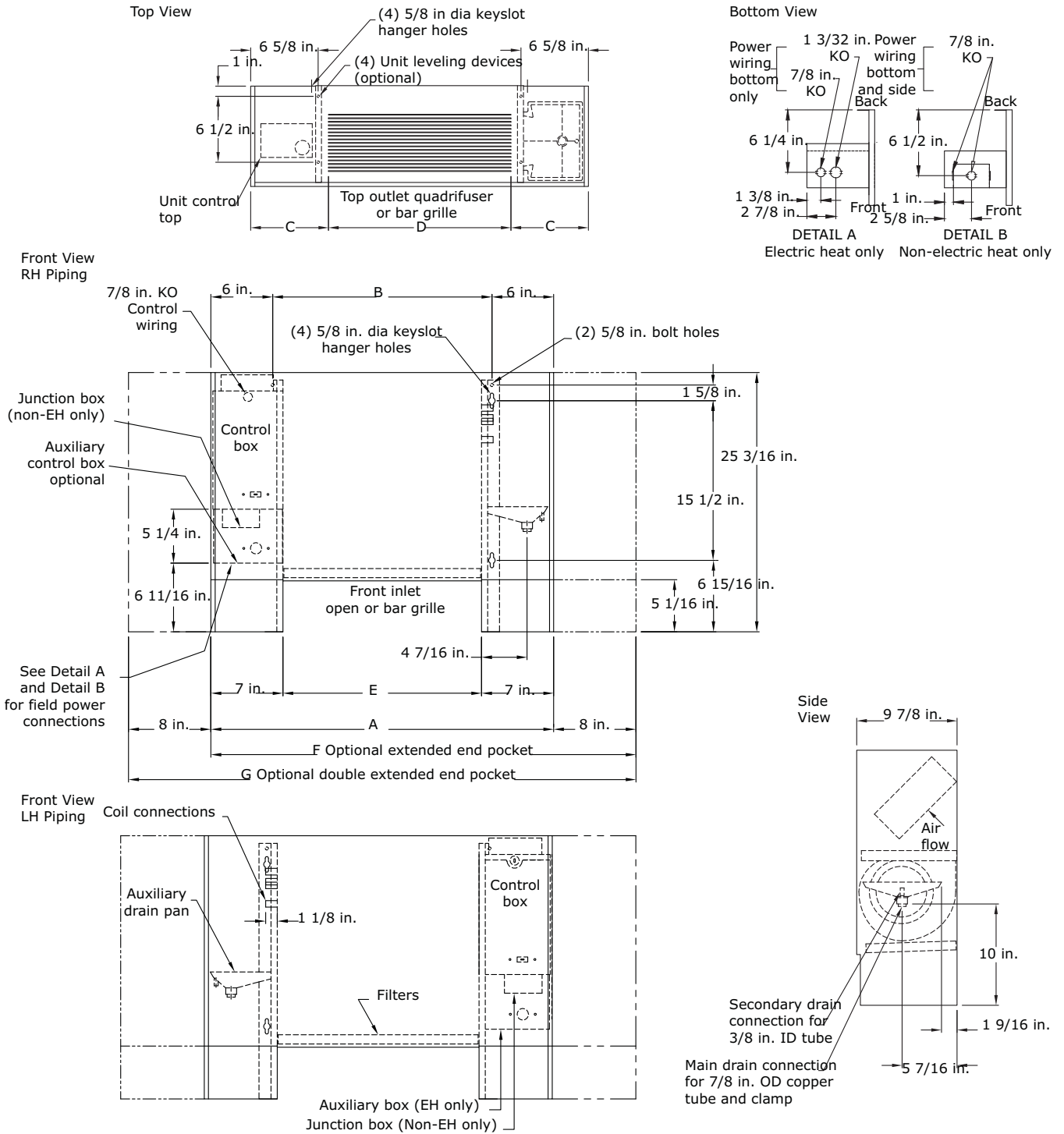


Table 4. Model B Vertical cabinet unit dimensions (inches)

Unit Size	200-300	400	600	800	1000-1200
No. Fans	1	1	2	2	3
No. Motors	1	1	1	1	2
A	33 5/16	38 5/16	47 13/16	56 5/16	75 5/16
B	21 5/16	26 5/16	35 13/16	44 5/16	63 5/16
C	7 5/8	7 1/8	8 7/8	7 1/8	7 5/8
D	18	24	30	42	60
E	19 5/16	24 5/16	33 13/16	42 5/16	61 5/16
F	41 5/16	46 5/16	55 13/16	64 5/16	83 5/16
G	49 5/16	54 5/16	63 13/16	72 5/16	n/a

Notes: Coil connections are always on the drain pan side and opposite the control box. Coil connections are 5/8-in. O.D. sweat. See the Coil Connections section for locations. All duct collar dimensions are to the outside of the collar. See the Fresh Air Openings Locations section for dimensions.

Model C Horizontal Concealed

Figure 7. Model C Horizontal concealed unit

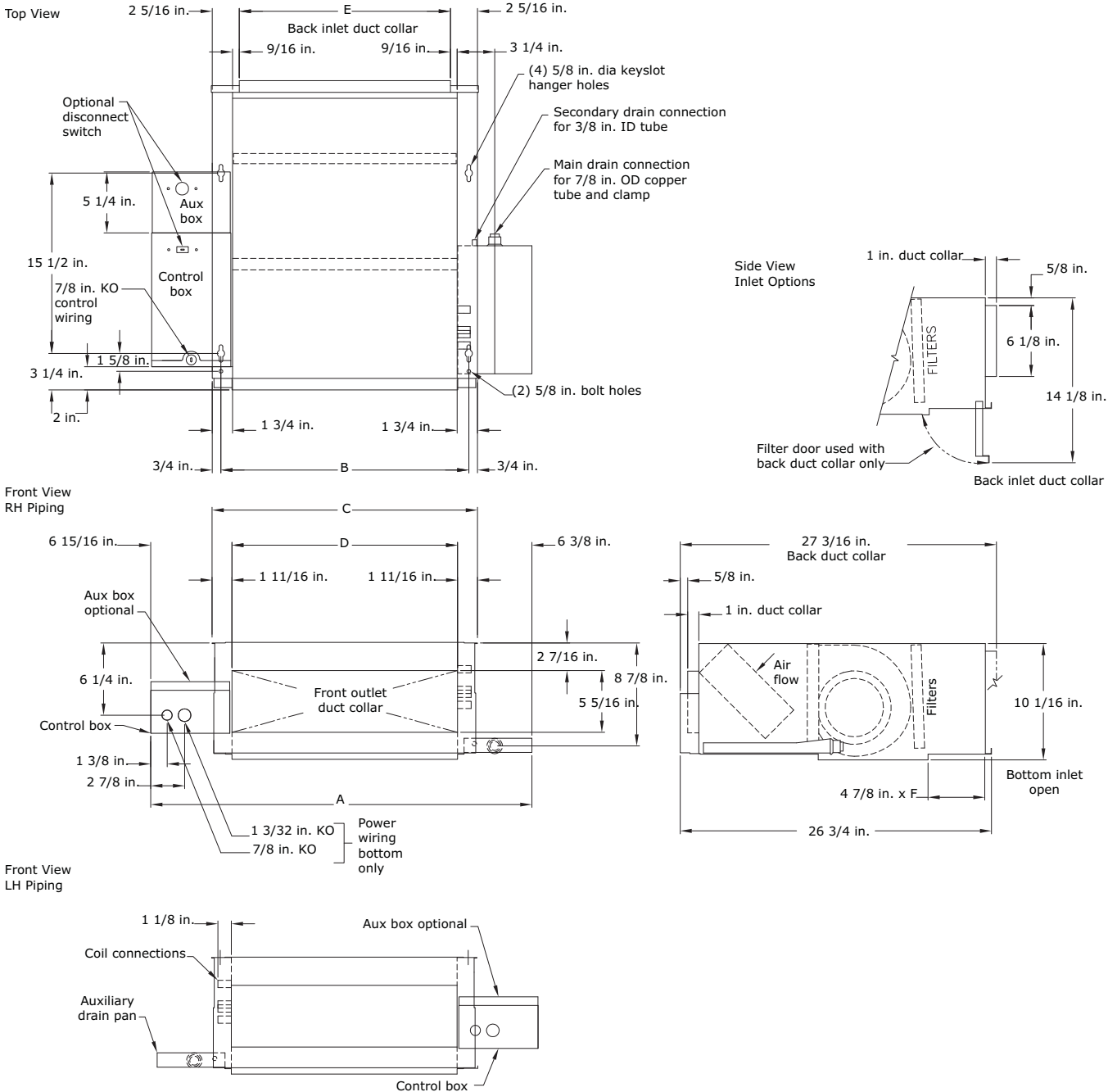


Table 5. Model C Horizontal concealed unit dimensions (inches)

Unit Size	200-300	400	600	800	1000-1200
No. Fans	1	1	2	2	3
No. Motors	1	1	1	1	2
A	32 11/16	37 11/16	47 3/16	55 11/16	74 11/16
B	21 5/16	26 5/16	35 13/16	44 5/16	63 5/16

Notes: Coil connections are always on the drain pan side and opposite the control box. Coil connections are 5/8-in. O.D. sweat. See the Coil Connections section for locations. All duct collar dimensions are to the outside of the collar. See the Fresh Air Openings Locations section for dimensions.

Table 5. Model C Horizontal concealed unit dimensions (inches)

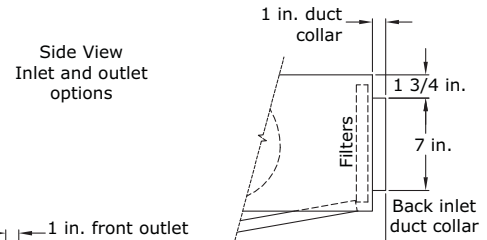
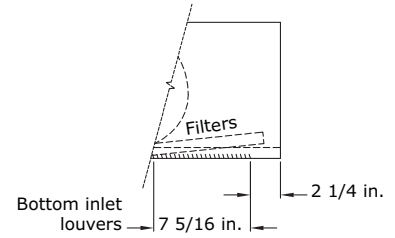
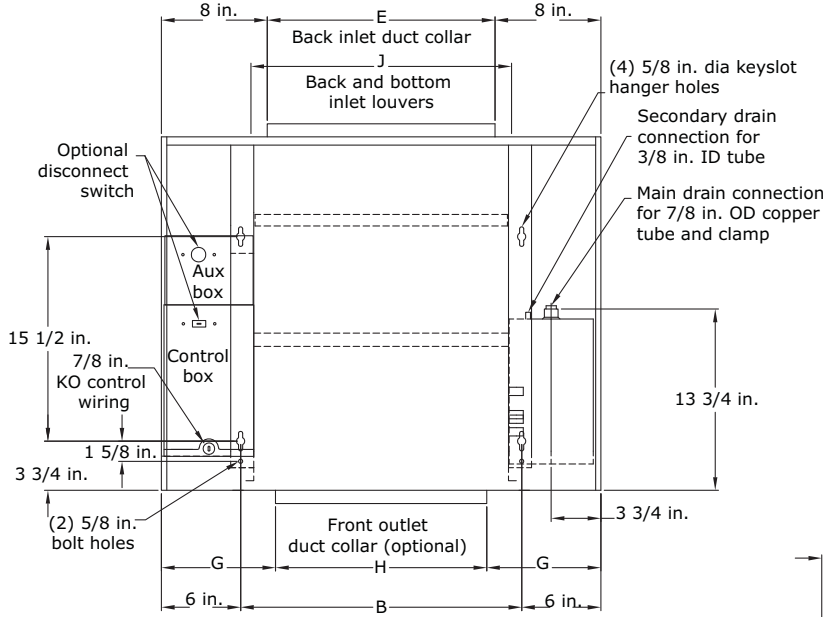
Unit Size	200-300	400	600	800	1000-1200
C	22 13/16	27 13/16	37 5/16	45 13/16	64 13/16
D	19 3/8	24 3/8	33 7/8	42 3/8	61 3/8
E	18 1/8	23 1/8	32 5/8	41 1/8	60 1/8
F	19 5/16	24 5/16	33 13/16	42 5/16	61 5/16

Notes: Coil connections are always on the drain pan side and opposite the control box. Coil connections are 5/8-in. O.D. sweat. See the Coil Connections section for locations. All duct collar dimensions are to the outside of the collar. See the Fresh Air Openings Locations section for dimensions.

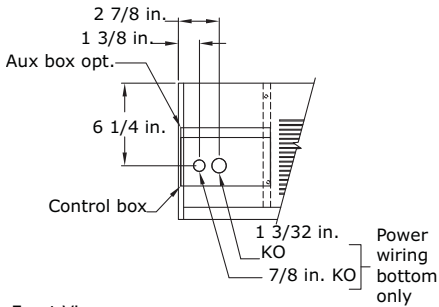
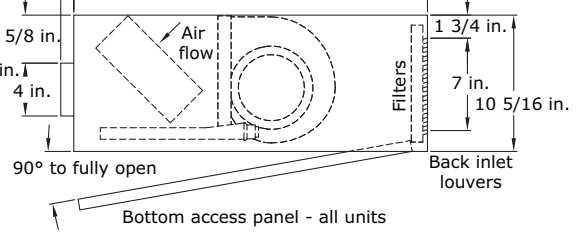
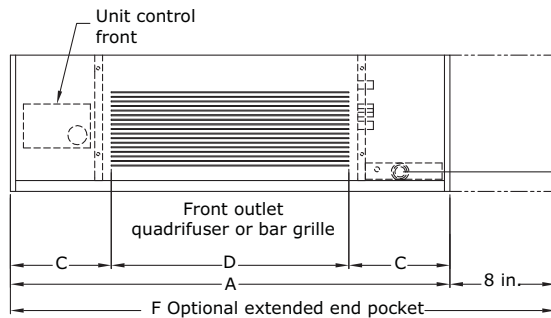
Model D Horizontal Cabinet

Figure 8. Model D Horizontal Cabinet

Top View



Front View
RH Piping



Front View
LH Piping

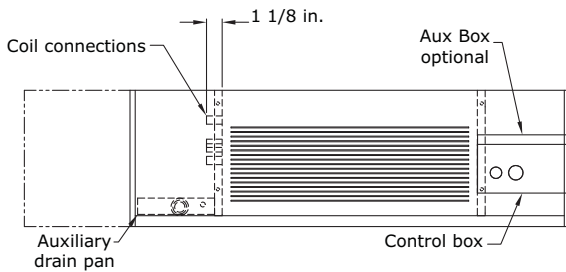


Table 6. Model D Horizontal cabinet dimensions (inches)

Unit Size	200-300	400	600	800	1000-1200
No. of Fans	1	1	2	2	3
No. of Motors	1	1	1	1	2
A	33 5/16	38 5/16	47 3/16	56 5/16	75 5/16
B	21 5/16	26 5/16	35 13/16	44 5/16	63 5/16
C	7 5/8	7 1/8	8 7/8	7 1/8	7 5/8
D	18	24	30	42	60
E	17 1/4	22 1/4	19 3/4	40 1/4	40 1/4
F	41 1/4	46 5/16	55 3/16	64 5/16	83 5/16
G	8 5/8	8 1/8	9 7/8	8 1/8	8 5/8
H	16	22	28	40	58
J	19 3/4	23 3/4	31 3/4	39 3/4	59 3/4

Notes: Coil connections are always on the drain pan side and opposite the control box. Coil connections are 5/8-in. O.D. sweat. See the Coil Connections section for locations. All duct collar dimensions are to the outside of the collar. See the Fresh Air Openings Locations section for dimensions.

Model E Horizontal Recessed

Figure 9. Model E Horizontal Recessed

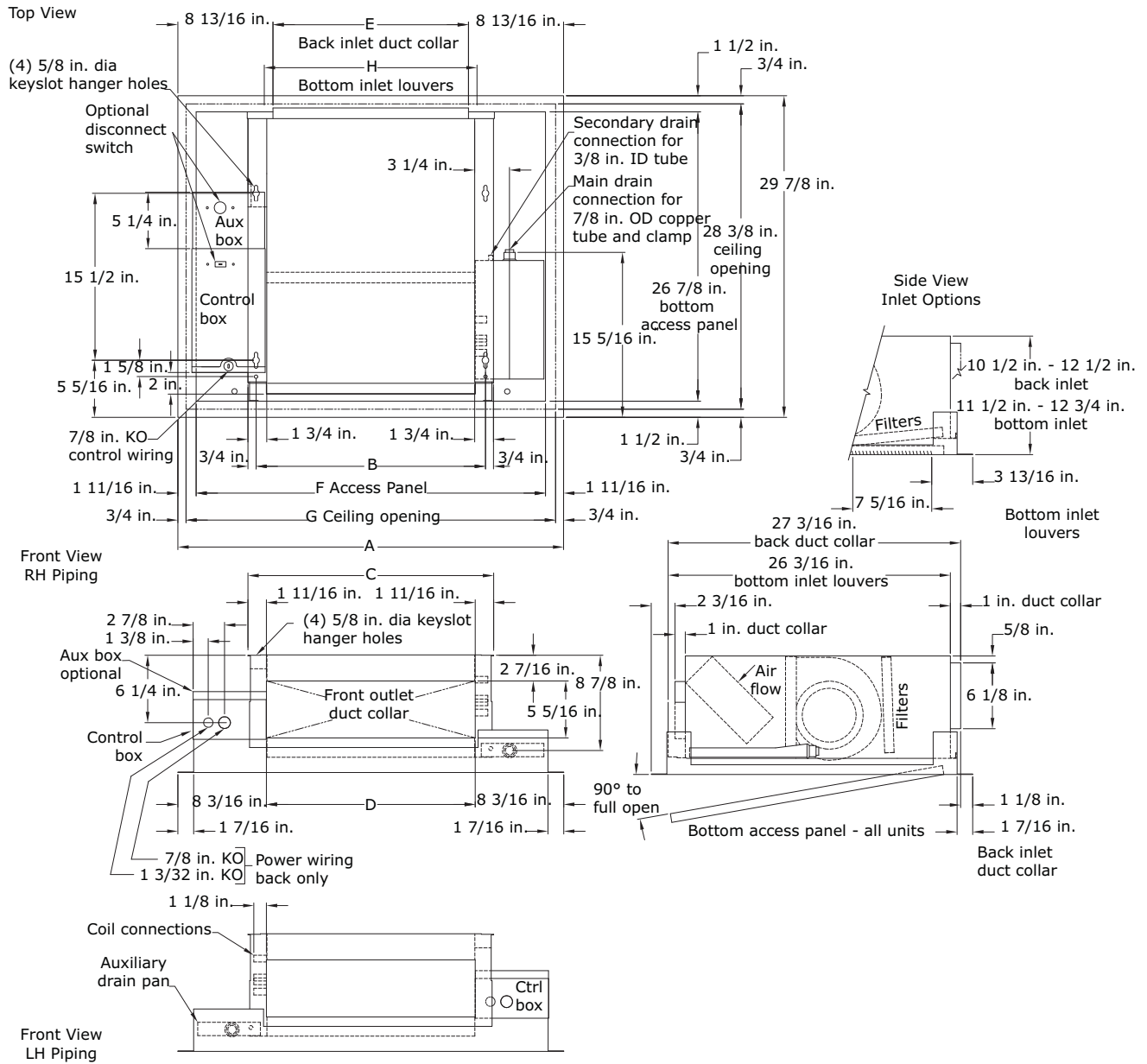


Table 7. Model E Horizontal recessed unit dimensions (inches)

Unit Size	200-300	400	600	800	1000-1200
No. Fans	1	1	2	2	3
No. Motors	1	1	1	1	2
A	35 13/16	40 13/16	50 5/16	58 13/16	77 13/16
B	21 5/16	26 5/16	35 13/16	44 5/16	63 5/16
C	22 13/16	27 13/16	37 5/16	45 13/16	64 13/16
D	19 3/8	24 3/8	33 7/8	42 3/8	61 3/8
E	18 1/8	23 1/8	32 5/8	41 1/8	60 1/8
F	32 7/16	37 7/16	46 15/16	55 7/16	74 7/16
G	34 5/16	39 5/16	48 13/16	57 5/16	76 5/16
H	19 3/4	23 3/4	31 3/4	39 3/4	59 3/4

Notes: Coil connections are always on the drain pan side and opposite the control box. Coil connections are 5/8-in. O.D. sweat. See the Coil Connections section for locations. All duct collar dimensions are to the outside of the collar. See the Fresh Air Openings Locations section for dimensions.

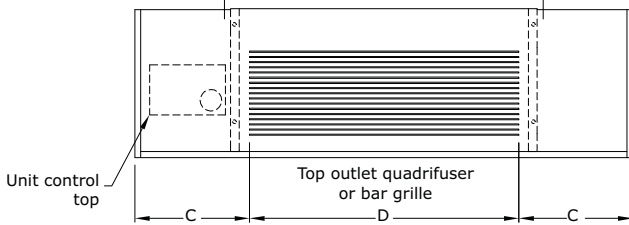


Dimensions and Weights

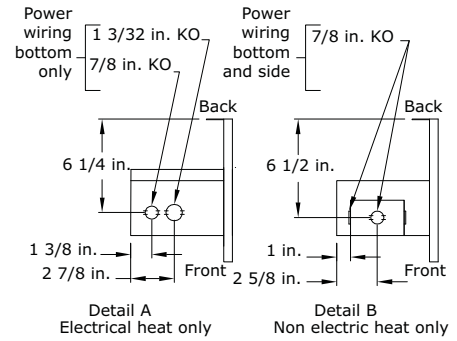
Model F Vertical Wall Hung Cabinet Force Flo Units Only

Figure 10. Model F Vertical Wall Hung Cabinet (Force Flo only)

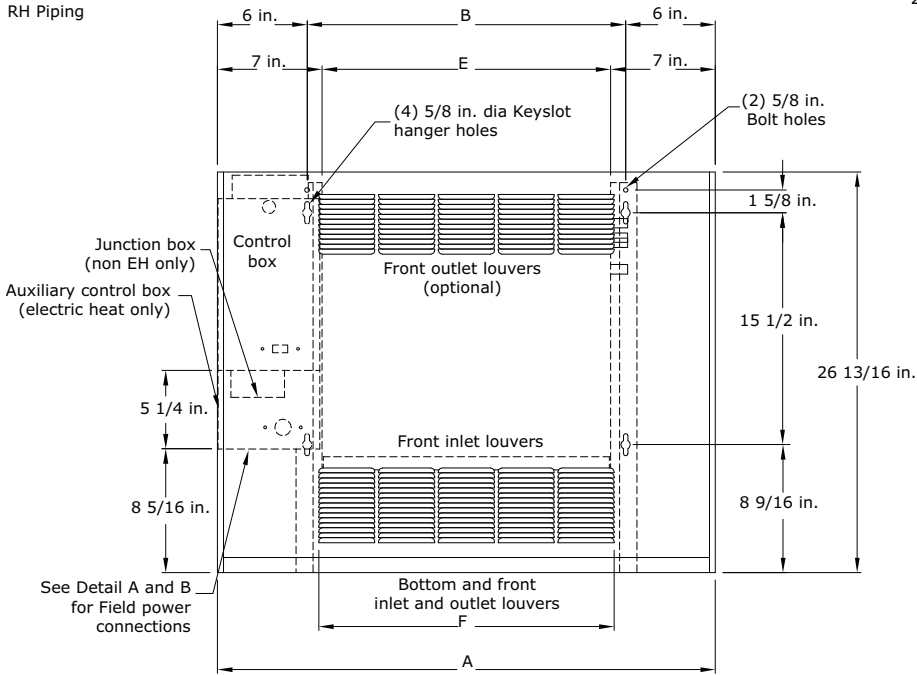
Top View



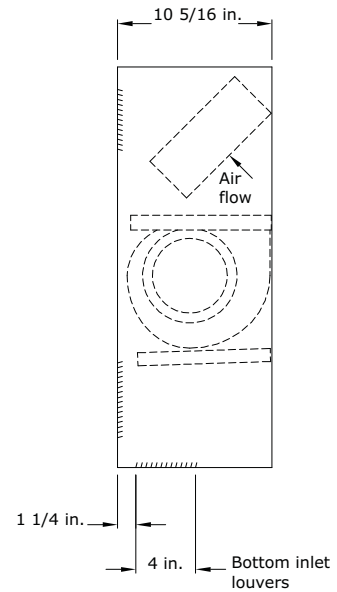
Bottom View



Front View
RH Piping



Side View



Front View
LH Piping

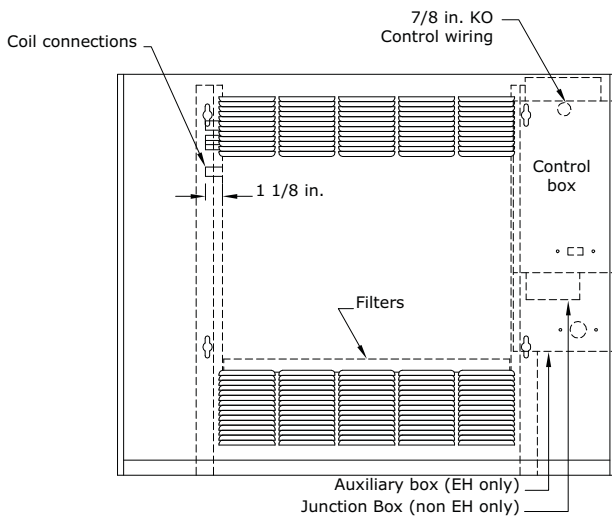


Table 8. Model F Vertical wall hung cabinet unit dimensions (inches)

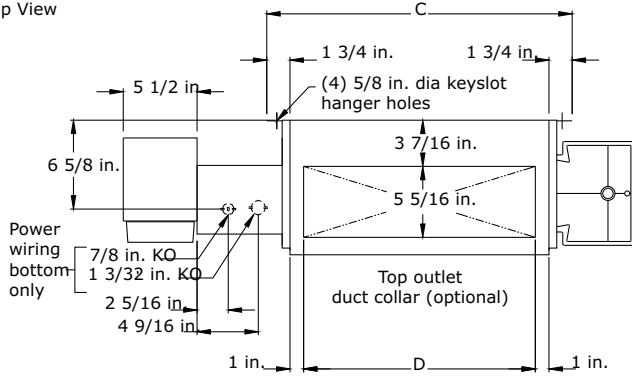
Unit Size	200-300	400	600	800	1000-1200
No. Fans	1	1	2	2	3
No. Motors	1	1	1	1	2
A	33 5/16	38 5/16	47 13/16	56 5/16	75 5/16
B	21 5/16	26 5/16	35 13/16	44 5/16	63 5/16
C	7 5/8	7 1/8	8 7/8	7 1/8	7 5/8
D	18	24	30	42	60
E	19 5/16	24 5/16	33 13/16	42 5/16	61 5/16
F	19 3/4	23 3/4	31 3/4	39 3/4	59 3/4

Notes: Coil connections are always on the drain pan side and opposite the control box. Coil connections are 5/8-in. O.D. sweat. See the Coil Connections section for locations. All duct collar dimensions are to the outside of the collar. See the Fresh Air Openings Locations section for dimensions.

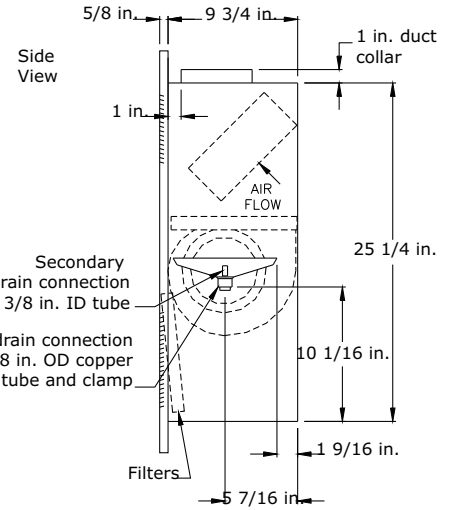
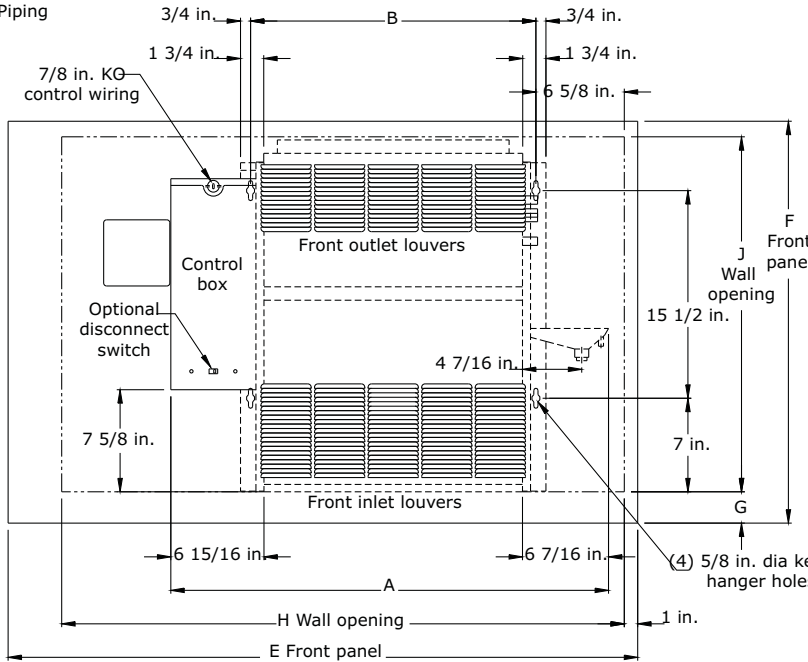
Model H Vertical Recessed

Figure 11. Model H Vertical Recessed

Top View



Front View
RH Piping



Front View
LH Piping

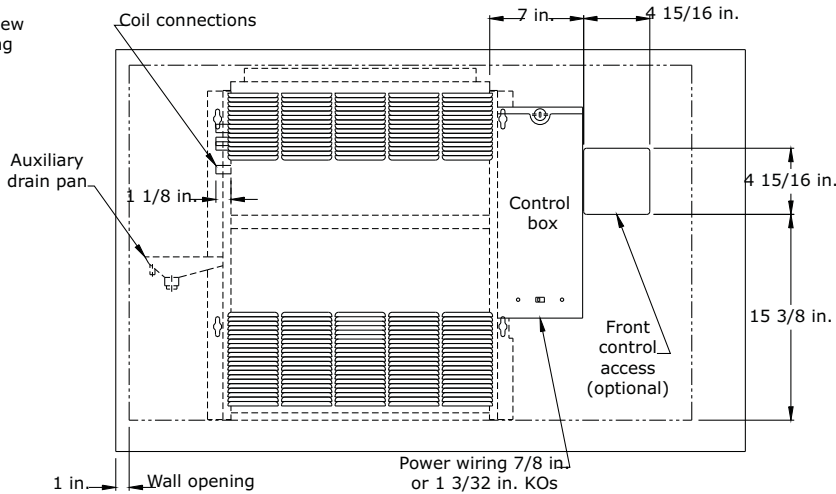


Table 9. Model H Vertical Recessed Unit

Unit Size	200-300	400	600	800	1000-1200
No. Fans	1	1	2	2	3
No. Motors	1	1	1	1	2
A	32 11/16	37 11/16	47 3/16	55 11/16	74 11/16
B	21 5/16	26 5/16	35 13/16	44 5/16	63 5/16
C	22 13/16	27 13/16	37 5/16	45 13/16	64 13/16
D	17 5/16	22 5/16	31 13/16	40 5/16	59 5/16
E	47	51	63	65 1/2	89 1/2
F	30	30	30	33 1/2	33 1/2
G	2 3/8	2 3/8	2 3/8	4 1/8	4 1/8
H	42	48	57	63	87
J	26 1/2	26 1/2	26 1/2	27 1/2	27 1/2

Notes: Coil connections are always on the drain pan side and opposite the control box. Coil connections are 5/8-in. O.D. sweat. See the Coil Connections section for locations. All duct collar dimensions are to the outside of the collar. See the Fresh Air Openings Locations section for dimensions.

Model J Vertical Slope Top Cabinet

Figure 12. Model J Vertical Slope Top Cabinet

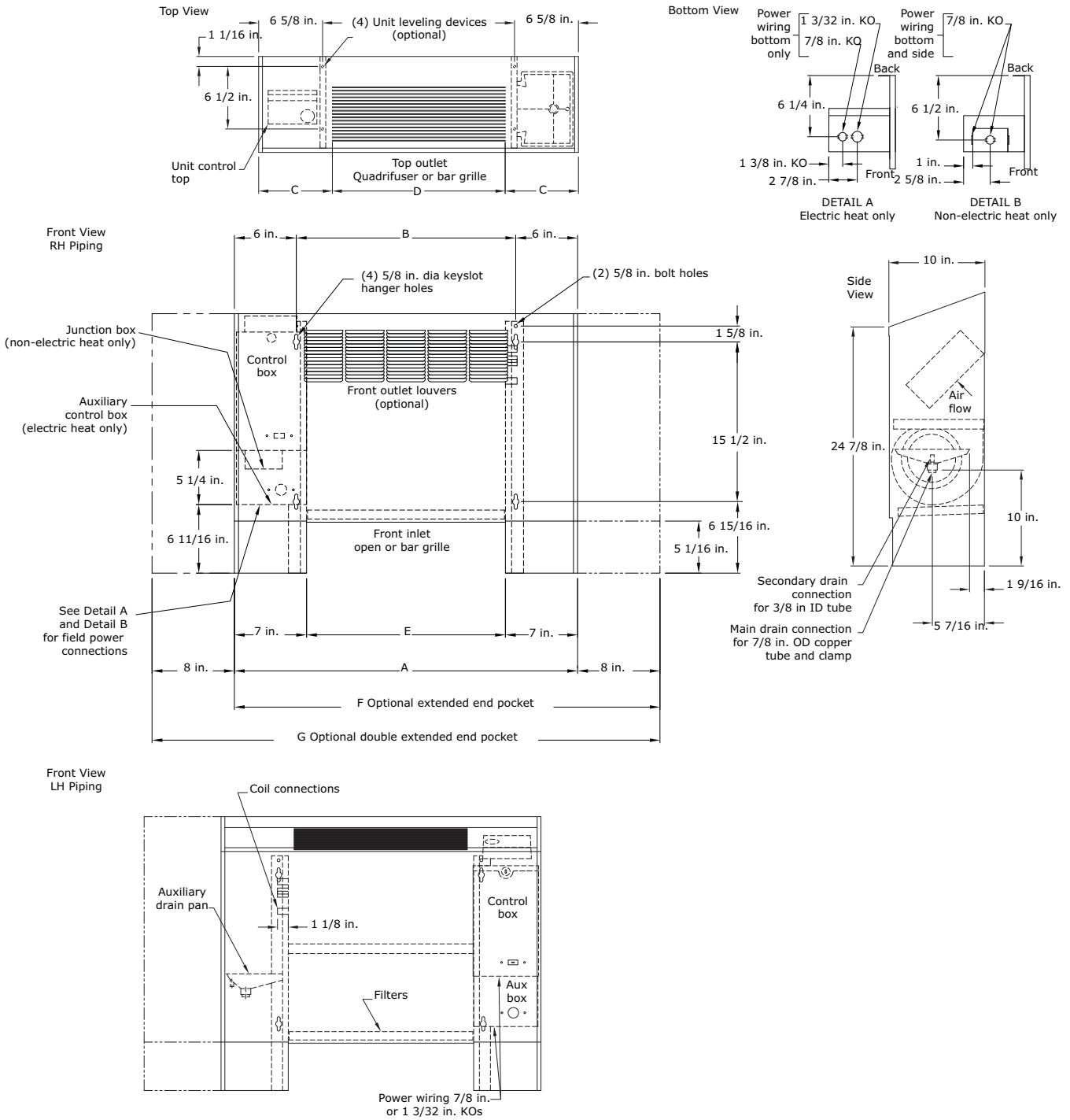


Table 10. Model J Vertical slope top cabinet unit dimensions

Unit Size	200-300	400	600	800	1000-1200
No. Fans	1	1	2	2	3
No. Motors	1	1	1	1	2
A	33 5/16	38 5/16	47 13/16	56 5/16	75 5/16
B	21 5/16	26 5/16	35 13/16	44 5/16	63 5/16
C	7 5/8	7 1/8	8 7/8	7 1/8	7 5/8
D	18	24	30	42	60
E	19 5/16	24 5/16	33 13/16	42 5/16	61 5/16
F	41 5/16	46 5/16	55 13/16	64 5/16	81 5/16
G	49 5/16	54 5/16	63 13/16	72 5/16	n/a

Notes: Coil connections are always on the drain pan side and opposite the control box. Coil connections are 5/8-in. O.D. sweat. See the Coil Connections section for locations. All duct collar dimensions are to the outside of the collar. See the Fresh Air Openings Locations section for dimensions.

Model K Low Vertical Concealed

Figure 13. Model K Low Vertical Concealed

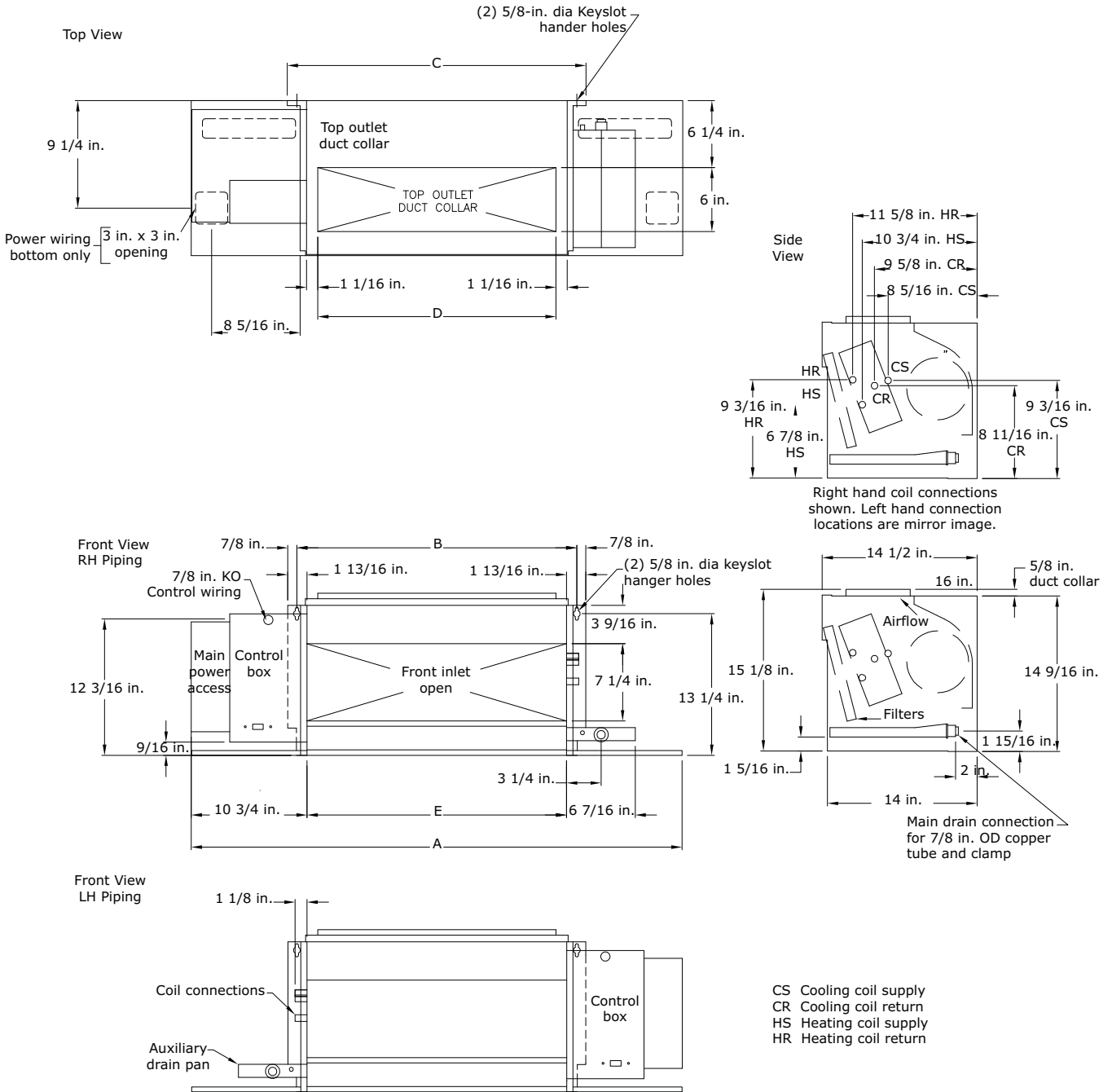


Table 11. Model K Low vertical concealed unit dimensions (in.) and weights (lb)

Unit Size	03	04	06
A	41-7/16	50-15/16	59-7/16
B	26-1/4	35-3/4	44-1/4
C	27-15/16	36-13/16"	45-15/16
D	22-5/16	31-13/16	40-5/16
E	24-1/4	33-3/4	42-1/4
Operating Weight	109	139	147
Shipping Weight	96	123	131

Notes: Coil connections are always on the drain pan side and opposite the control box. Coil connections are 5/8-in. O.D. sweat. See the Coil Connections section for locations. All duct collar dimensions are to the outside of the collar. See the Fresh Air Openings Locations section for dimensions. Serviceability for some components within this unit may require panel or drain pan removal.

Model L Low Vertical Cabinet

Figure 14. Model L Low vertical cabinet

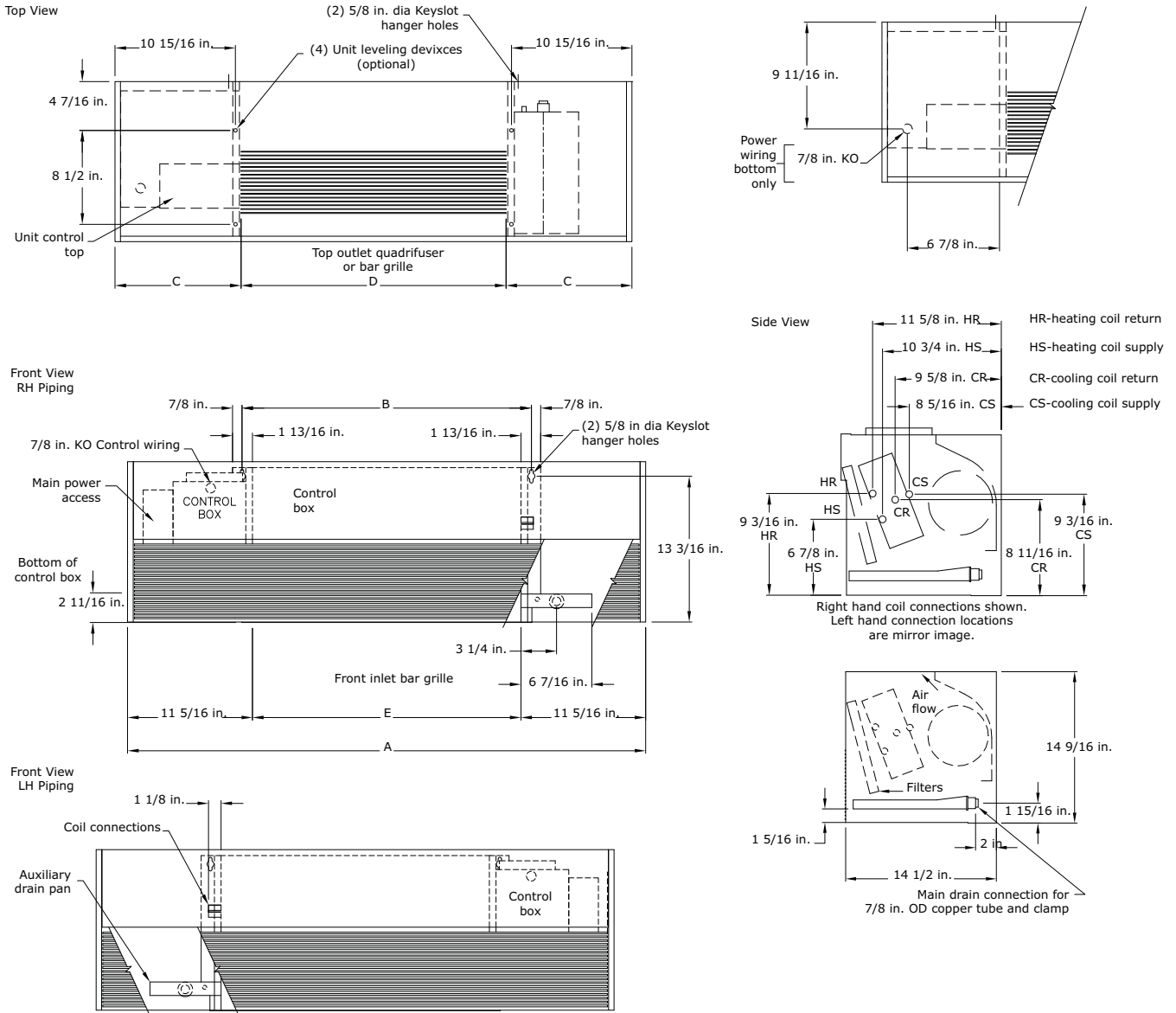


Table 12. Model L Low vertical cabinet unit dimensions (in.) and weights (lb)

Unit Size	03	04	06
A	46 15/16	56 7/16	64 15/16
B	26 1/4	35 3/4	44 1/4
C	11 7/16	13 5/16	11 7/16
D	24	30	42
E	24 1/4	33 3/4	42 1/4
Operating Weight	125	155	164
Shipping Weight	112	139	148

Notes: Coil connections are always on the drain pan side and opposite the control box. Coil connections are 5/8-in. O.D. sweat. See the Coil Connections section for locations. All duct collar dimensions are to the outside of the collar. See the Fresh Air Openings Locations section for dimensions. Serviceability for some components within this unit may require panel or drain pan removal.



Dimensions and Weights

Model M Inverted Vertical Cabinet Force-Flo Unit Only

Figure 15. Model M inverted vertical cabinet (Force-Flo unit only)

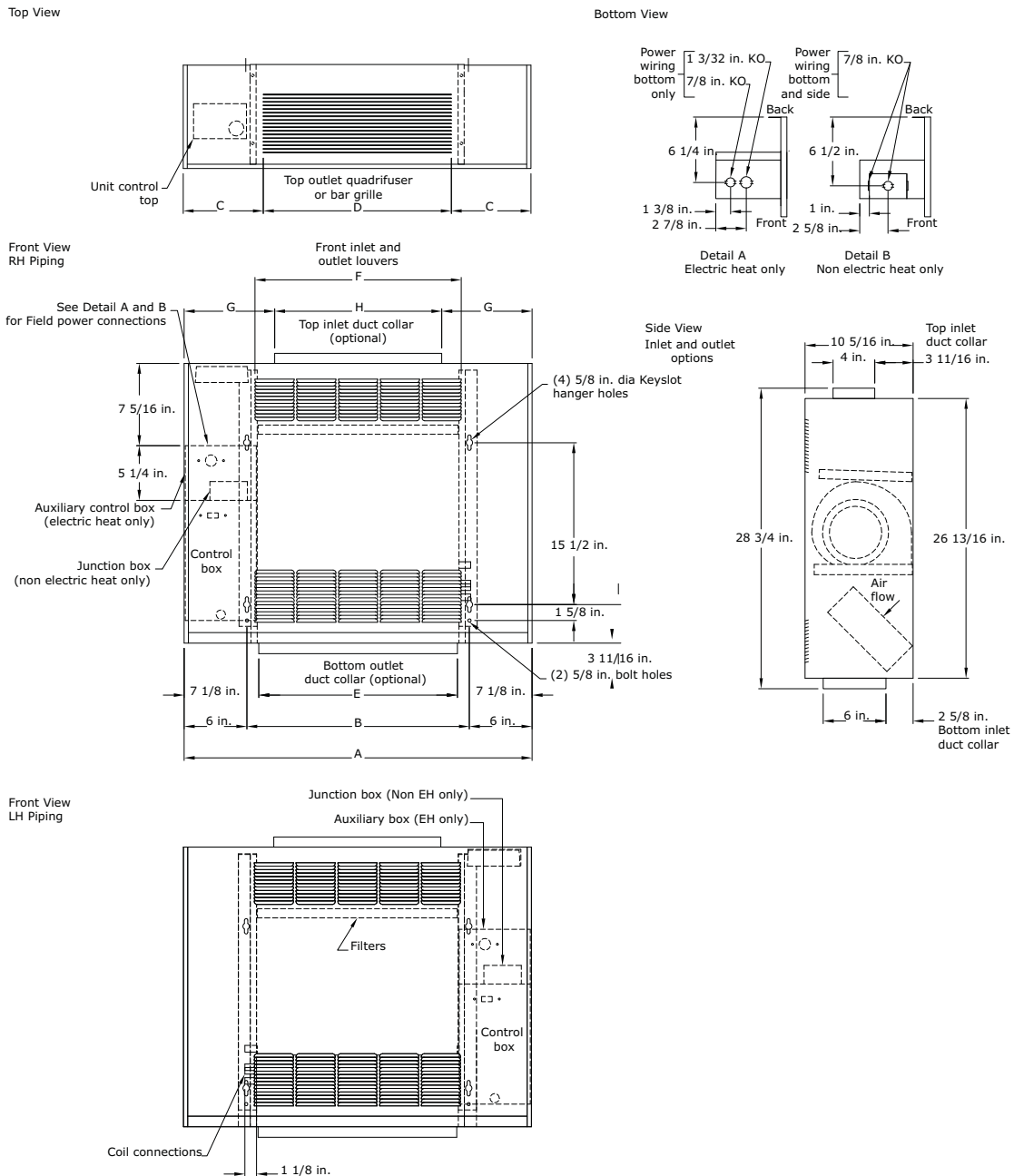


Table 13. Model M Inverted vertical cabinet unit dimensions (in.) and weights (lb)

Unit Size	02-03	04	06	08	10-12
A	33 5/16	38 5/16	47 13/16	56 5/16	75 5/16
B	21 5/16	26 5/16	35 13/16	44 5/16	63 5/16
C	7 5/8	7 1/8	8 7/8	7 1/8	7 5/8
D	18	24	30	42	60
E	19 5/16	24 5/16	33 13/16	42 5/16	61 5/16
F	19 3/4	23 3/4	31 3/4	39 3/4	59 3/4
Operating Weight	97	125	155	164	218
Shipping Weight	84	112	139	148	200

Notes: Coil connections are always on the drain pan side and opposite the control box. Coil connections are 5/8-in. O.D. sweat. See the Coil Connections section for locations. All duct collar dimensions are to the outside of the collar. See the Fresh Air Openings Locations section for dimensions.



Dimensions and Weights

Model N Inverted Vertical Recessed Force-Flo Unit Only

Figure 16. Model N inverted vertical recessed (Force-Flo unit only)

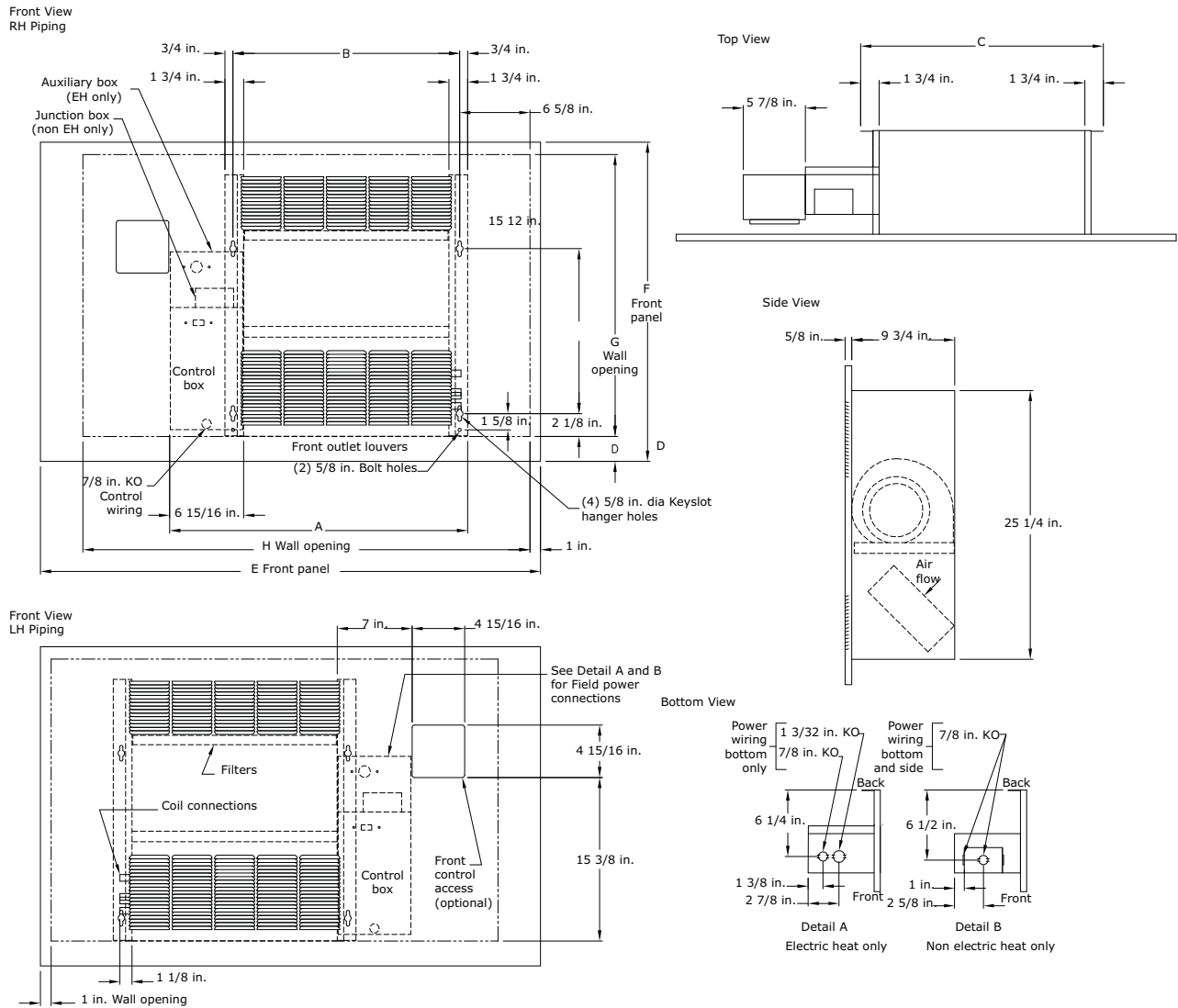


Table 14. Model N Inverted vertical recessed unit dimensions (in.) and weights (lb)

Unit Size	02–03	04	06	08	10–12
A	27 7/8	32 7/8	42 3/8	50 7/8	69 7/8
B	21 5/16	26 5/16	35 13/16	44 5/16	63 5/16
C	22 13/16	27 13/16	37 5/16	45 13/16	64 13/16
D	2 3/8	2 3/8	2 3/8	4 1/8	4 1/8
E	47	51	63	65 1/2	89 1/2
F	30	30	30	33 1/2	33 1/2
G	26 1/2	26 1/2	26 1/2	27 1/2	27 1/2
H	42	48"	57	63	87
Operating Weight	78	88	128	139	253
Shipping Weight	68	78	118	129	243

Notes: Coil connections are always on the drain pan side and opposite the control box. Coil connections are 5/8-in. O.D. sweat. See the Coil Connections section for locations. All duct collar dimensions are to the outside of the collar. See the Fresh Air Openings Locations section for dimensions.

Mode P Compact Concealed

Figure 17. Model P Compact Concealed

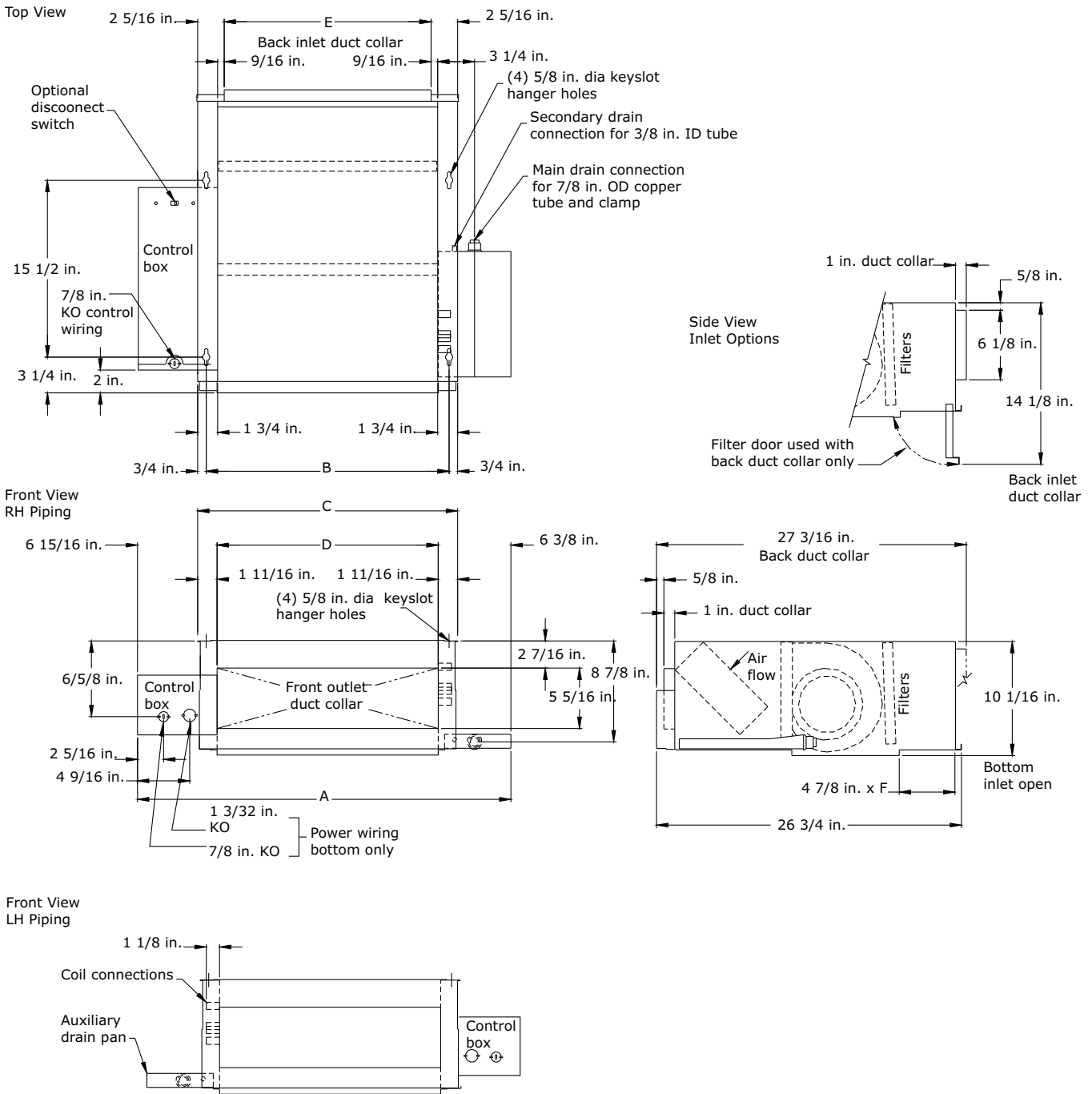


Table 15. Compact concealed unit dimensions (in.)

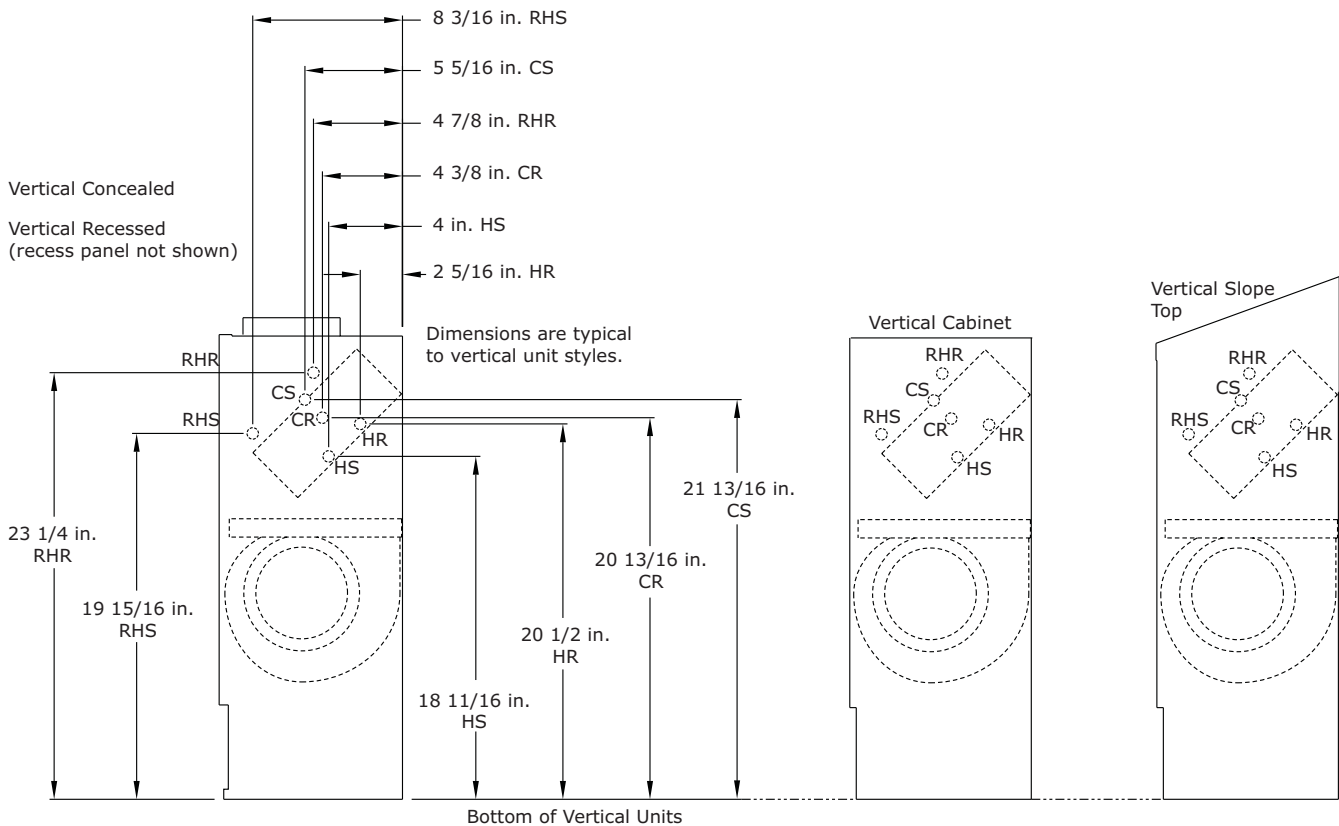
Unit Size	200-300	400	600	800	1000-1200
A	32 11/16	37 11/16	47 3/16	55 11/16	74 11/16
B	21 5/16	26 5/16	35 13/16	44 5/16	63 5/16
C	22 13/16	27 13/16	37 5/16	45 13/16	64 13/16
D	19 3/8	24 3/8	33 7/8	42 3/8	61 3/8
E	18 1/8	23 1/8	32 5/8	41 1/8	60 1/8
F	19 5/16	24 5/16	33 13/16	42 5/16	61 5/16

Notes: Coil connections are always on the drain pan side and opposite the control box. Coil connections are 5/8-in. O.D. sweat. See the Coil Connections section for locations. All duct collar dimensions are to the outside of the collar. See the Fresh Air Openings Locations section for dimensions.

Coil Connections

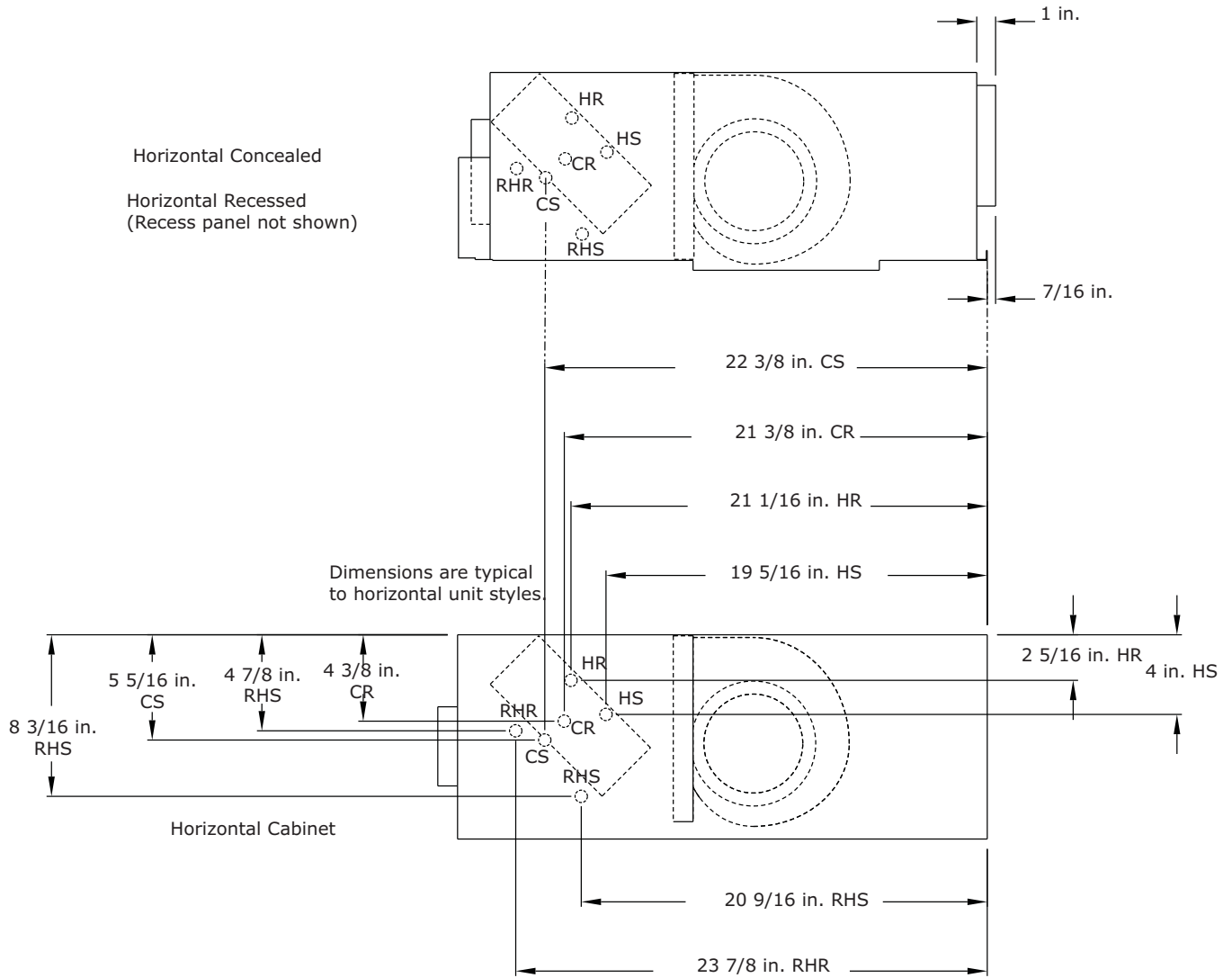
Fan Coil Vertical Units

Figure 18. Coil connections for fan coil vertical units



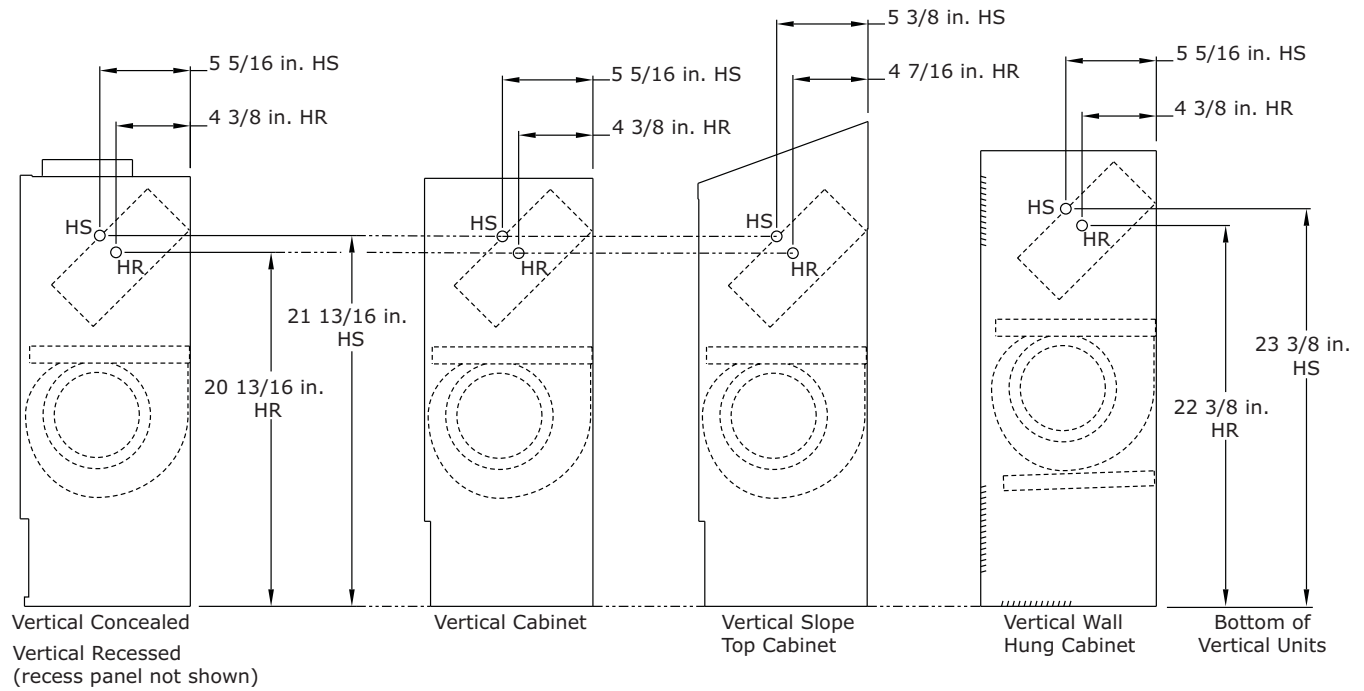
Fan Coil Horizontal Units

Figure 19. Coil connections for fan coil horizontal units



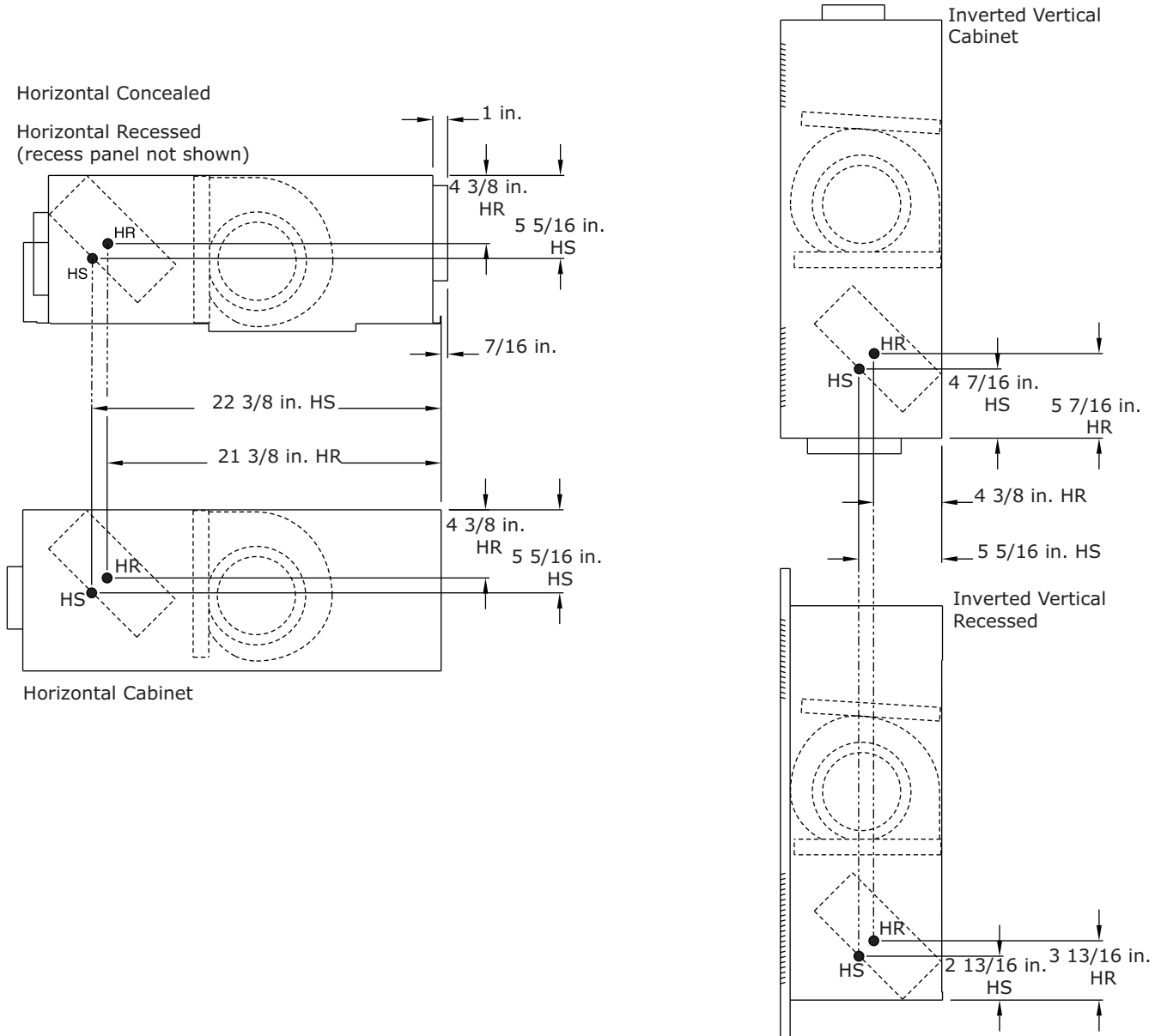
Force Flo Vertical Units

Figure 20. Coil connections for Force Flo cabinet heater vertical units



Force Flo Horizontal and Inverted Units

Figure 21. Coil connections for Force Flo cabinet heater horizontal units and inverted vertical units



Fresh Air Opening Locations

Horizontal Units

Figure 22. Fresh air openings for horizontal units (models C, D, E, and P (back duct collar only))

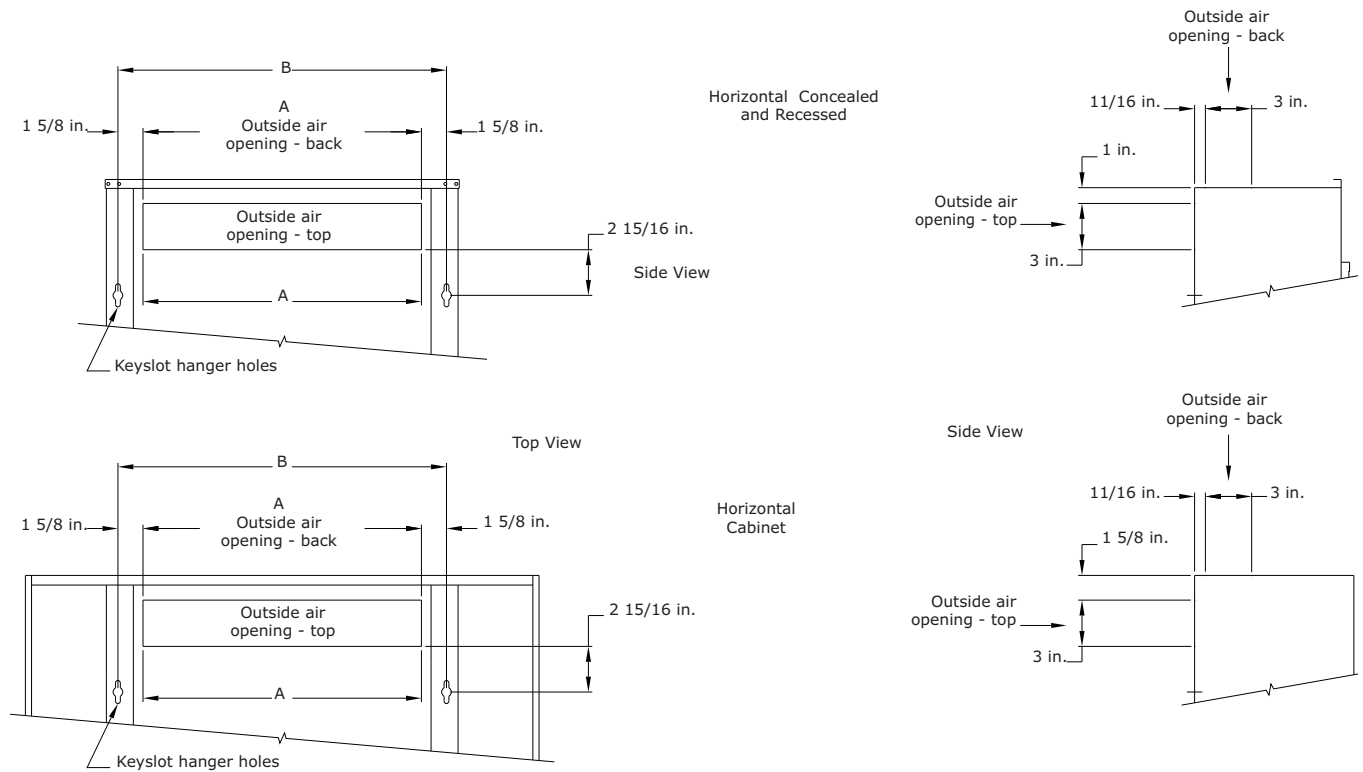


Table 16. Fresh air opening dimensions (inches) for horizontal units

Unit Size	02-03	04	06	08	10-12
A	18	23	32 1/2	41	60
B	21 5/16	26 5/16	35 13/16	44 5/16	63 5/16

Vertical Units

Figure 23. Fresh air openings for vertical units (models A, B, F, H, J, K, L, M, and N)

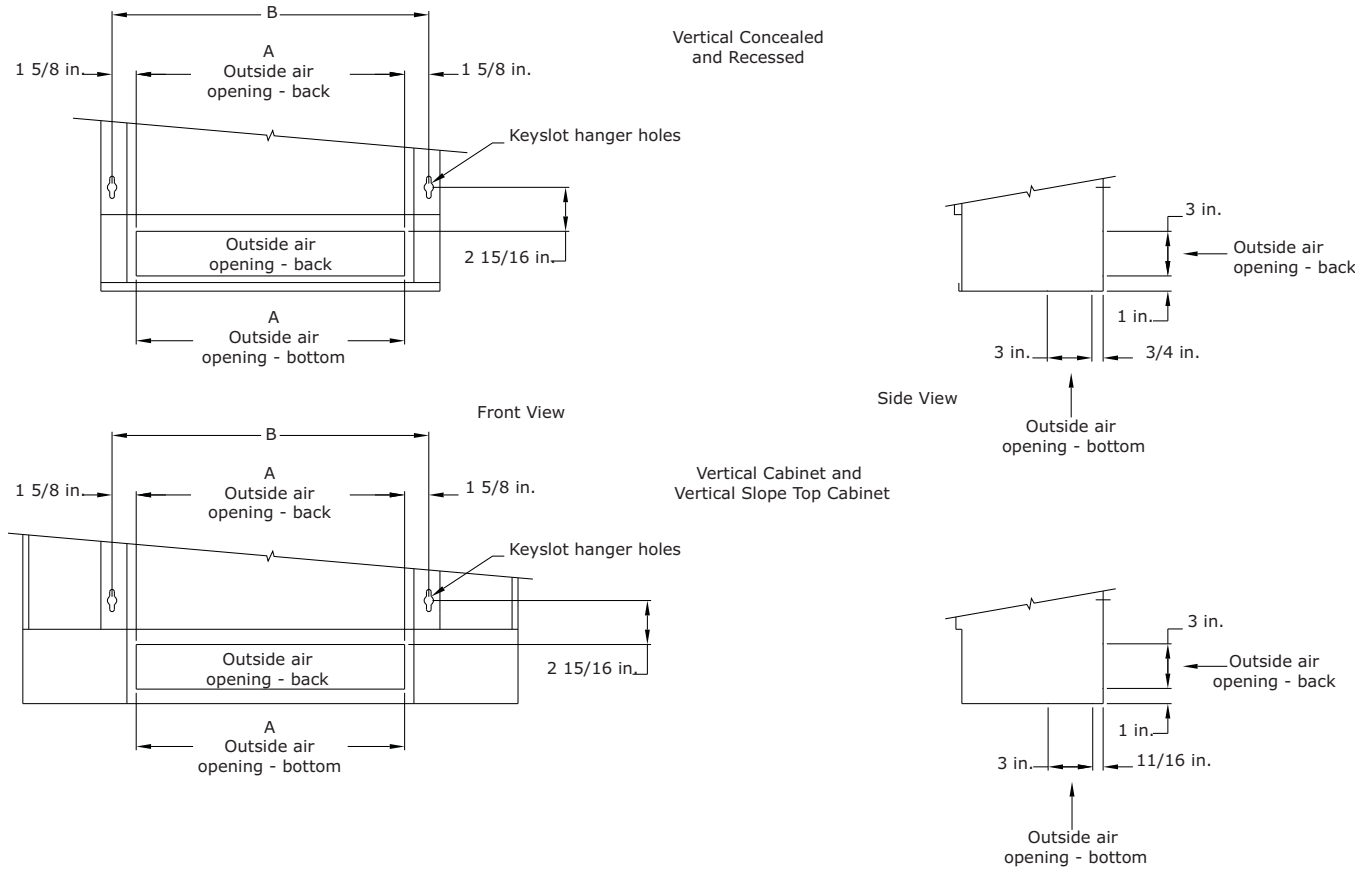


Table 17. Fresh air opening dimensions (inches) for vertical units

Unit Size	02-03	04	06	08	10-12
A	18	23	32 1/2	41	60
B	21 5/16	26 5/16	35 13/16	44 5/16	63 5/16

Wall Box

Figure 24. Wall box

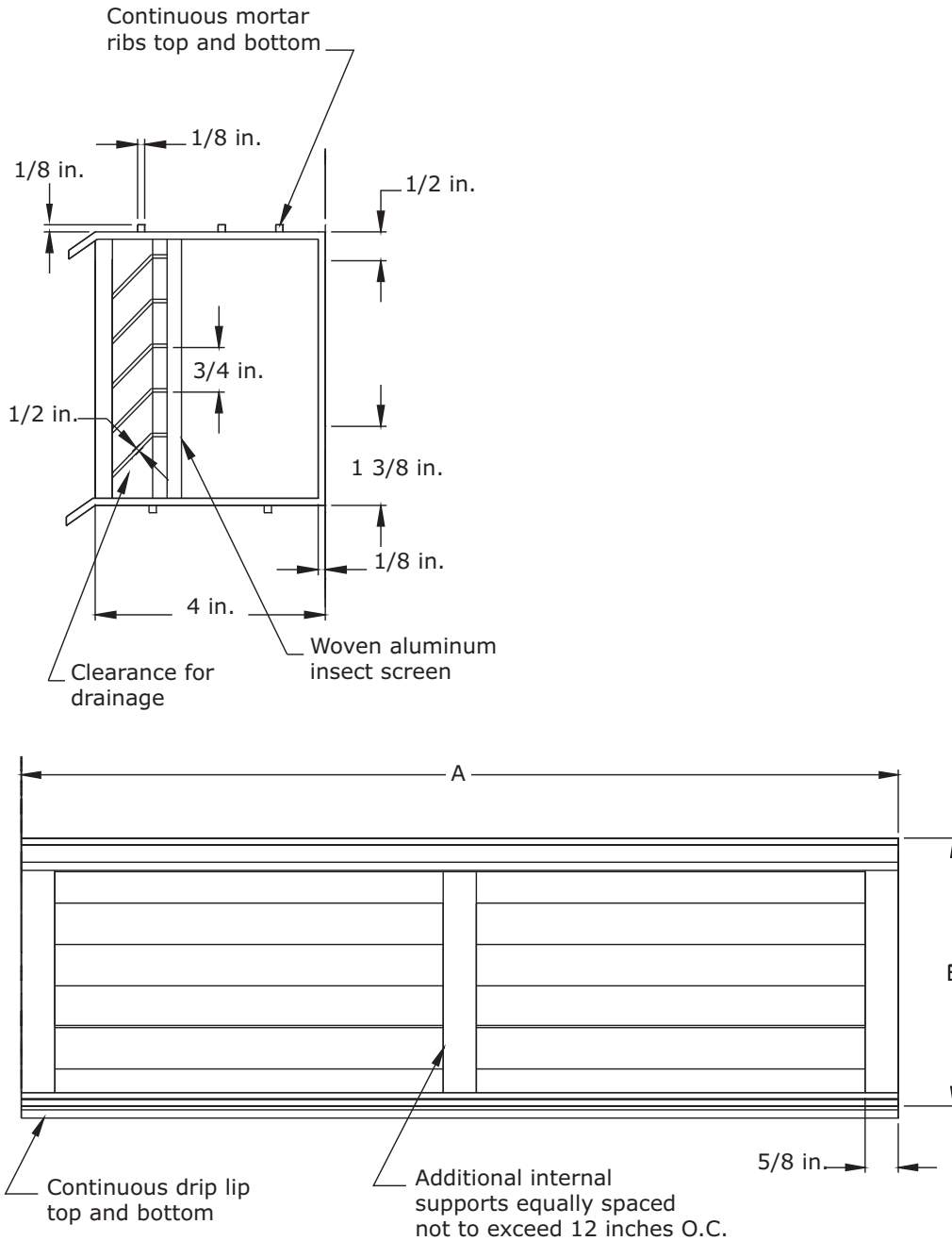


Table 18. Wall box dimensions (inches)

Unit Size (ref. only)	Dimensions A x B	Internal Supports
02-03	24 3/8 x 4 3/4	1
04	24 3/8 x 7 1/2	1
06	33 1/8 x 7 1/2	2
08	37 1/2 x 7 1/2	3
10-12	58 1/4 x 7 1/2	4



Dimensions and Weights

Projection Panel

Figure 25. Projection panel

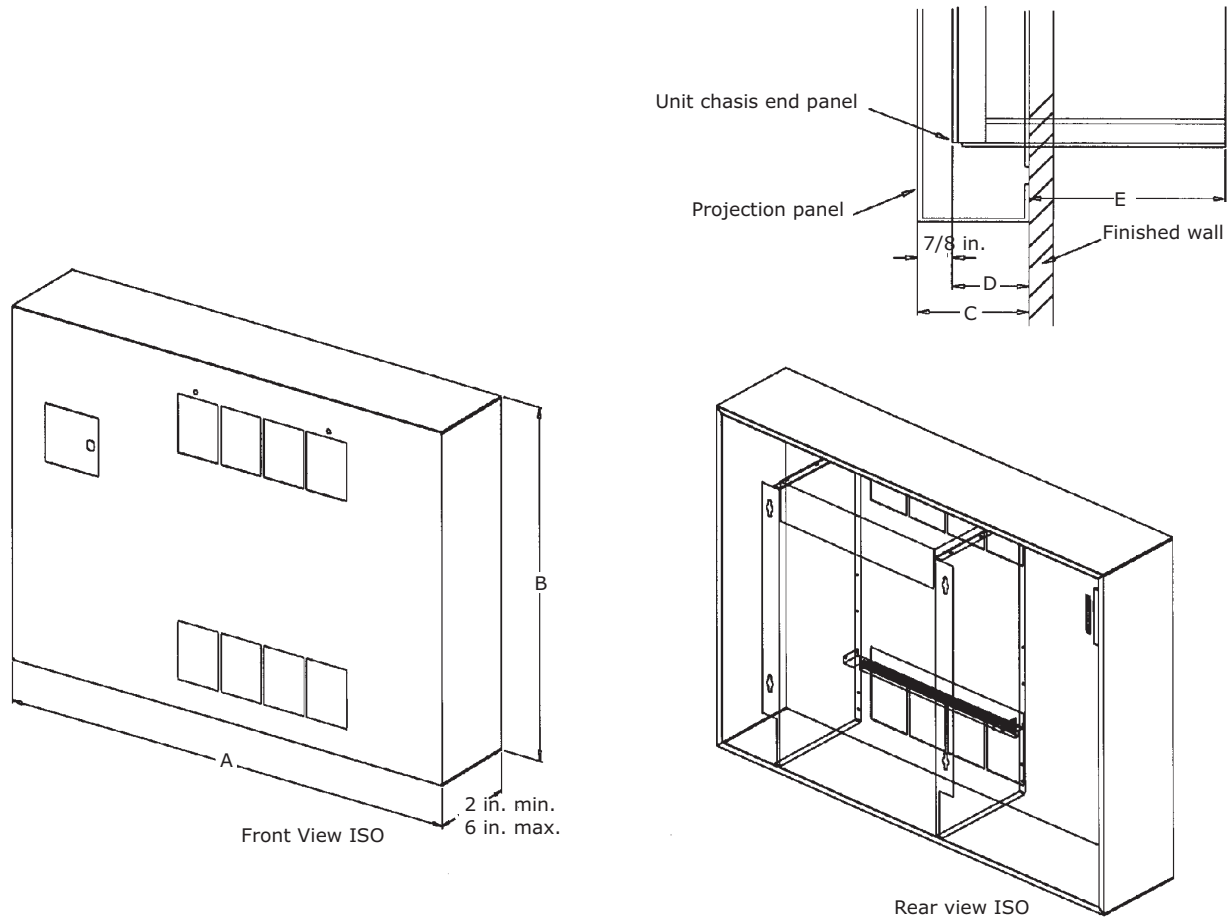


Table 19. Projection panel dimensions (inches)

Unit Size	02-03	04	06	08	10-12
A	47	51	63	65 1/2	89 1/2
B	30	30	30	33 1/2	33 1/2

Table 20. Projection panel dimensions (inches)

Unit Size	All sizes									
C	2	2-1/2	3	3 1/2	4	4 1/2	5	5 1/2	6	2
D	1 1/8	1 5/8	2 1/8	2 5/8	3 1/8	3 5/8	4 1/8	4 5/8	5 1/8	1 1/8
E	8 5/8	8 1/8	7 5/8	7 1/8	6 5/8	6 1/8	5 5/8	5 1/8	4 5/8	8 5/8



Installation—Mechanical

Installation Checklist

The following checklist is only an abbreviated guide to the detailed installation procedures given in this manual. Use this list to ensure all necessary procedures are complete. For more detailed information, refer to the appropriate sections in this manual.

⚠ WARNING

Hazardous Voltage w/Capacitors!

Failure to disconnect power and discharge capacitors before servicing could result in death or serious injury. Disconnect all electric power, including remote disconnects and discharge all motor start/run capacitors before servicing. Follow proper lockout/tagout procedures to ensure the power cannot be inadvertently energized. For variable frequency drives or other energy storing components provided by Trane or others, refer to the appropriate manufacturer's literature for allowable waiting periods for discharge of capacitors. Verify with an appropriate voltmeter that all capacitors have discharged.

For additional information regarding the safe discharge of capacitors, see PROD-SVB06A-EN

Inspect the unit for shipping damage.

1. Inspect the unit for shipping damage.
2. Level installation location to support the unit weight adequately. Make all necessary wall or ceiling openings to allow adequate air flow and service clearances.
3. Ensure the unit chassis is installed level.

NOTICE:

Unit Leveling!

The unit must be installed level (zero tolerance) in both horizontal axis for proper operation. Do not use the coil or drain pan as the reference point because the coil may be pitched and the drain pan has an inherent positive slope to provide proper drainage.

4. Verify that wall and ceiling openings are properly cut per the unit submittals.
5. Verify that installation of horizontal concealed units meets the national Fire Protection Association (N.F.P.A.) Standard 90A or 90B concerning the use of concealed ceiling spaces as return air plenums. Verify correct ceiling opening dimensions on unit submittals.

Secure the unit and any accessory items properly to the wall or ceiling support rods.

6. Complete all piping connections correctly.
7. Check field sweat connections for leaks and tighten the valve stem packing, and piping package unions if necessary.
8. Install the auxiliary drain pan, if ordered, properly under piping package on fan-coil units.
9. Complete condensate drain line connections on fan-coil units.
10. Pitch condensate drain line away from fan-coil one-inch drop per ten feet of pipe.
11. Install entering water temperature sensor on the supply water line, if applicable.
12. Install condensate overflow switch option correctly on the auxiliary drain pan, if applicable.
13. Ensure the low temperature detection device option is correctly installed.
14. Complete all necessary duct connections.
15. Complete all interconnection wiring for the wall-mounted fan mode switch or zone sensor per the wiring schematic and guidelines established in ["Interconnection Wiring," p. 60](#).
16. Install the wall-mounted fan mode switch, or zone sensor module options properly.
For wireless zone sensors, be sure to set the address (see ["Address Setting," p. 95](#)).
17. Make field mounted controller / fan speed switch connections to CSTI / FSS as indicated on unit schematic.
18. Connect electrical supply power according to the NEC and unit wiring diagrams.
19. Remove any miscellaneous debris, such as sheetrock dust, that may have infiltrated the unit during construction.
20. Replace the air filter as required.



Installing the Unit

Follow the procedures below to install the unit properly. Refer to for specific unit dimensions and mounting hole locations.

Note: Any modifications, additions or changes to the control box could void the factory warranty and UL certification. Such modification, additions or changes will become the responsibly of the modifying contractor.

Vertical Units

NOTICE:

Electrical Wiring!

Failure to comply may result in electrical shorts or difficulty accessing wires. Do not allow electrical wire to fall between the unit and installation surface.

Note: Any modifications, additions or changes to the control box could void the factory warranty and UL certification. Such modification, additions or changes will become the responsibly of the modifying contractor.

Install vertical units in an upright position using the 5/8-inch diameter double key slot hanger holes or 5/8-inch bolt holes, located on the back of unit. The hanger holes allow a maximum shank size of 5/16-inch diameter threaded rods or lag screws (installer provides).

1. Prepare wall openings for recessed units. Reference unit submittal for each unit size dimensions. When installing vertical units, consideration should be given for units with an outside air intake.
2. If the unit has leveling legs, adjust them correctly to level unit.
3. Mark the position of the hanger holes on the wall according to the dimensions given in the Dimensions and Weights chapter for each unit model and size. Align the hole locations evenly.
4. Insert the threaded rods or lag screws in the wall before setting the unit in place.
5. Remove the front panel (cabinet unit only) by lifting it upward.
6. Position the hanger holes, located on the back of the unit, over the rod or lag screw heads, pushing the unit downward to properly position.
7. Complete piping and wiring connections, in addition to any necessary ductwork to the unit as instructed in the following sections. Ensure that the auxiliary drain pan is in position on fan-coil units.
8. Install the front panel before starting the unit.

On cabinet units, replace the front panel by aligning the bottom tabs on the unit with the respective slots on the panel bottom. Slide the front panel down onto the tabs

while holding the panel close as possible to the cabinet. While the bottom tabs are engaged, slide the front panel upward enough to allow the top engaging edge of the front panel to lap over the engaging edge of the unit. This should allow the panel to drop down and lock into position.

On recessed units, install the front panel by aligning and locking together the interlocking support channel of the panel and unit. While holding the panel against the unit, tighten the screws at the top of the panel until it fits tight against the unit's front. Do not over tighten the screws.

NOTICE:

Motor Overload!

Failure to have panels and filters in place may cause motor overload. All unit panels and filters must be in place prior to unit startup.

Horizontal Units

Install horizontal units suspended from the ceiling using the four 5/8-inch diameter double key slot hanger holes or the 5/8-inch bolt holes located on the top of the unit. The hanger holes allow a maximum shank size of 5/16-inch diameter threaded rods or lag screws (installer provided). Follow the installation procedure below.

Note: Follow the requirements of National Fire Protection Association (NFPA) Standard 90A or 90B, concerning the use of concealed ceiling spaces as return air plenums.

1. Prepare the ceiling opening for recessed units. Reference the unit submittals for dimensions.
2. Position and install the suspension rods or a suspension device (supplied by installer) according to the unit model and size in the Dimensions and Weights chapter.
3. On cabinet units, remove the bottom panel by using a 5/32-inch Allen wrench to unscrew fasteners. Swing the panel down and lift outward.
4. Level the unit by referencing the chassis end panels. Adjust the suspension device.
5. Complete piping and wiring connections, in addition to any necessary ductwork as instructed in the following sections. Ensure that the auxiliary drain pan is in position on fan-coil units.
6. Install the bottom panel before starting the unit.
7. Ensure condensate drain line is pitched one inch per ten feet of pipe away from the fan-coil unit.

Cabinet Units

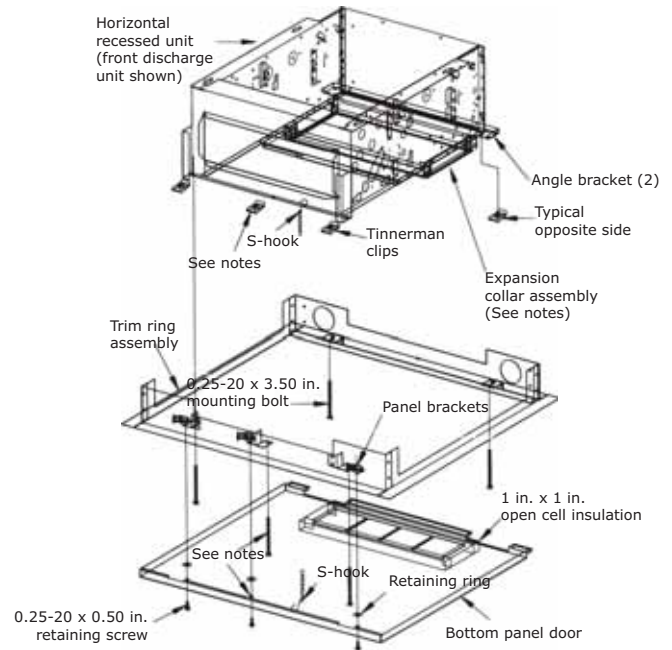
Install the bottom panel by placing the hinged end on the unit's hinged end (always at the return end of the unit). Refer to the Dimensions and Weights chapter for keyslot hanger hole locations. Swing the panel upward into position. Secure the panel with the fasteners provided. Do not overtighten the fasteners.

Recessed Units

Refer to the Dimensions and Weights chapter for mounting locations and unit weights. Follow the procedure below and see the figure below.

1. Insert the mounting bolts through the panel brackets of the trim ring and secure to the hanger holes on the unit. Tighten the mounting bolts to pull the trim ring snug against the finished ceiling.
2. Install the bottom panel by placing the hinged end on the trim ring hinged end (always at the unit's return end).
3. Adjust the expansion collar's inner duct (only on fan-coil units with a bottom return) to ensure a tight fit against the insulation located on the perimeter of the bottom panel's return louver.
4. Close the s-hook on each end of safety chain assembly. Insert s-hooks through holes in unit and door. Close s-hook on door.
5. Insert retaining screws through bottom panel door and place retaining rings on screws.
6. Swing the bottom panel upward into position. Hook the safety chain to the bottom panel and the unit. Tighten the panel to the unit with the fasteners provided.

Figure 26. Installing the trim ring assembly on horizontal recessed units



- Notes:**
- The trim ring assembly cannot accommodate unlevel ceilings.
 - On sizes 8, 10, and 12 center installation position and use 2- or 3.5-inch bolts, whichever is best suited for installation. Also, install two safety chains assemblies on these sizes.
 - Expansion collar is furnished with fan-coil with bottom return only. The collar is not necessary for Force-Flo units.

NOTICE:

Unit Leveling!

All unit panels and filters must be in place prior to unit start-up. Failure to have panels and filters in place may cause motor overload.

Table 21. Parts list for trim ring assembly

Part description	Quantity	
Bottom panel door	1	
Trim ring assembly	1	
Installation drawing	1	
Unit size	02-06	08-12
0.25 - 20 x 0.50 in. retaining screw	2	3
Retaining ring	2	3
Safety chain assembly	1	2
0.25-20 x 3.50 in. bolt	4	5
0.25-20 x 2.00 in. bolt	0	1
Tinnerman clip	4	5



Duct Connections

Install all air ducts according to National Fire Protection Association standards for the Installation of Air Conditioning and Ventilating Systems (NFPA 90A and 90B).

Install all air ducts according to the National Fire Protection Association standards for the "Installation of Air Conditioning and Ventilation Systems other than Residence Type (NFPA 90A) and Residence Type Warm Air Heating and Air Conditioning Systems (NFPA 90B).

⚠ WARNING

Hazardous Voltage w/Capacitors!

Failure to disconnect power and discharge capacitors before servicing could result in death or serious injury. Disconnect all electric power, including remote disconnects and discharge all motor start/run capacitors before servicing. Follow proper lockout/tagout procedures to ensure the power cannot be inadvertently energized. For variable frequency drives or other energy storing components provided by Trane or others, refer to the appropriate manufacturer's literature for allowable waiting periods for discharge of capacitors. Verify with an appropriate voltmeter that all capacitors have discharged.

For additional information regarding the safe discharge of capacitors, see PROD-SVB06A-EN

The unit's airflow configuration varies dependent on the model and options ordered. A one-inch duct collar is provided on units with a ducted return and/or discharge to attach ductwork to the unit.

Trane recommends using galvanized sheet metal ductwork with fan-coil and cabinet heater units. Slide the sheet metal duct over the duct collar flange of the unit, seal the joint and fasten with sheet metal screws.

Note: Do not run screws through the removable front panel on concealed units.

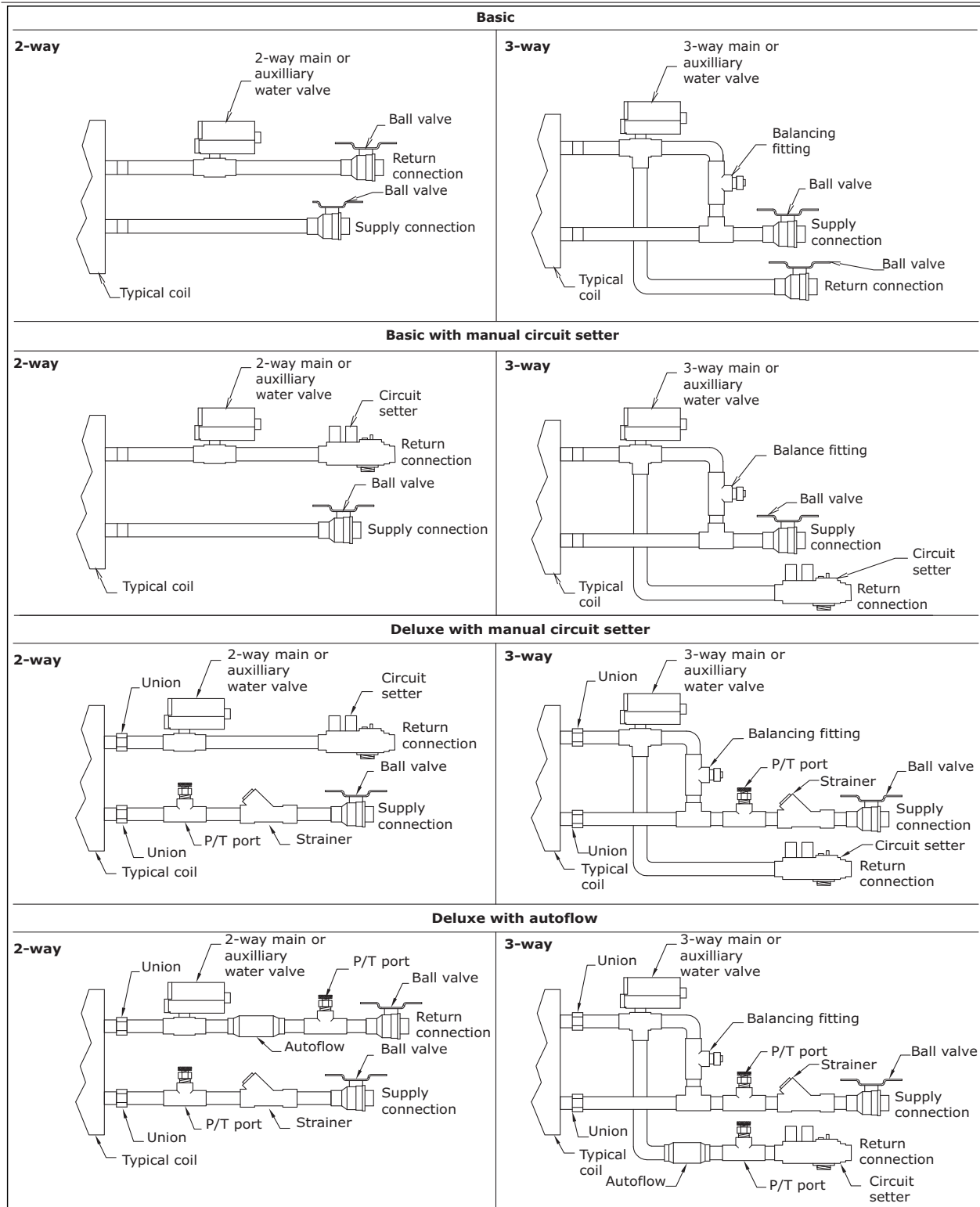
Ductwork Recommendations

Follow the general recommendations listed below when installing ductwork for the unit.

- Discharge ductwork should run in a straight line, unchanged in size or direction, for a minimum equivalent distance of three fan diameters from the unit (approximately 20 inches).
- When making duct turns and transitions avoid sharp turns and use proportional splits, turning vanes, and air scoops when necessary.
- When possible, construct, and orient supply ductwork turns in the same direction as the fan rotation.

Coil Piping and Connections

Figure 27. Piping package arrangements





Coil Piping and Connections

Piping Package Components

Control valves are mounted in all factory piping packages. All piping packages are factory installed and come in a variety of options:

- Basic: Shut-off ball valve on the supply line, control valve and shut-off ball valve on the return line.
- Basic with manual circuit setter: Shut-off ball valve on the supply line, control valve and manual circuit setter on the return line.
- Deluxe with manual circuit setter: Union, strainer, P/T port, and shut-off ball valve on the supply line. Union, control valve, and manual circuit setter on the return line.
- Deluxe with auto flow: Union, strainer, P/T port, and shut-off ball valve on the supply line. Union, control valve, auto flow valve, P/T port, and shut-off ball valve on the return line.

Hydronic Coil Piping

Before installing field piping to the coil, consider the following:

- All coil connections are 5/8-inch O.D. (or 1/2-inch nominal) female copper connections.
- The supply and return piping should not interfere with the auxiliary drain pan or condensate line. See "Connecting the Condensate Drain" section for more detailed information.
- The installer must provide adequate piping system filtration and water treatment.
- Exterior condensate may be an issue (fan-coils only) if field piping does not have a control valve. Refer to the supply and return header locations in the "Dimensions and Weights" section.

Note: When using a field supplied piping package in a fan-coil unit, allow sufficient room to install the auxiliary drain pan. In addition, piping package must not extend over edges of auxiliary drain pan.

Connecting Field Piping to Coil

1. Remove the auxiliary drain pan, if it is in place, to prevent exposure to dripping solder or excessive temperatures.
2. Slide a 1/2-inch sweat connection coupling (installer provided) onto the coil headers.

Note: For vertical fan-coil units, push the main condensate drain hose and overflow condensate drain hose through the inside of the chassis end panel to prevent them from getting burned when making sweat connections. Be sure to pull the hoses back through and route to the auxiliary drain pan when the end panel has cooled.

3. Solder the joint using bridgit lead-free solder (ASTM B32-89) to provide a watertight connection. Avoid overheating factory soldered joints when soldering field connections to the coil to prevent leakage from occurring.
4. Insulate all piping to coil connections as necessary after connections are complete.
Note: Maintain a minimum distance of one foot between the reduction fitting for the 1/2-inch diameter line and the fan-coil unit piping connections.
5. Install the optional auxiliary drain pan, which ships in the accessory packet.

Water Piping Connections

Before installing water piping supply and return lines to factory piping package, note the following items.

- All piping connections are 5/8-inch O.D. (1/2-inch nominal) female copper connections.
- The fan-coil supply and return piping should not interfere with the auxiliary drain pan or condensate line. See the Condensate Drain Connections section below for more information.
- The installer must provide adequate piping system filtration and water treatment.
- If the unit has a factory deluxe piping package, the piping includes a strainer with a 20-mesh size screen, which allows minimal protection from debris. Therefore, clean the strainer regularly.

Note: Maintain a minimum distance of one foot between the reduction fitting for the 1/2-inch diameter line and the fan-coil piping connections.

Connecting to Factory Piping

1. The factory installed piping package ships with brackets to adequately support the piping during shipment. Remove these brackets before connecting water piping to the unit.
2. Turn the piping end valves to the fully open position to prevent damage to the valve seat during brazing.
3. Remove the auxiliary drain pan, if it is in place, to prevent exposure to dripping solder or excessive temperatures.
4. Solder water piping connections to supply and return end connections. Avoid overheating factory soldered joints to prevent the possibility of leakage.
5. Insulate fan-coil piping to auxiliary drain pan connections and any piping that is not above the auxiliary drain pan.

Condensate Drain Connections

1. Connect a 3/4-inch I.D. rubber or plastic hose to the auxiliary drain pan. This should be a mechanical connection that allows easy removal of the auxiliary drain pan when servicing the piping end pocket.
2. Slide the hose over the drain pan nipple and tighten the hose on the nipple with a hose clamp (installer supplied).
3. Maintain a continuous drain line pitch of one inch per ten feet of drain line run to provide adequate condensate drainage. Extend the drain line straight from the drain pan a minimum distance of six inches before making any turns. The installer must provide proper support for the drain line to prevent undue stress on the auxiliary drain pan.
4. Install a secondary overflow drain line if necessary by punching out the overflow drain nipple on the auxiliary drain pan. Next, place a 3/8-inch inside diameter flexible plastic tube over the nipple and secure with a field supplied hose clamp.

Note: The installer is responsible for adequately insulating field piping. See "External Insulating Requirements," p. 56 for more information.

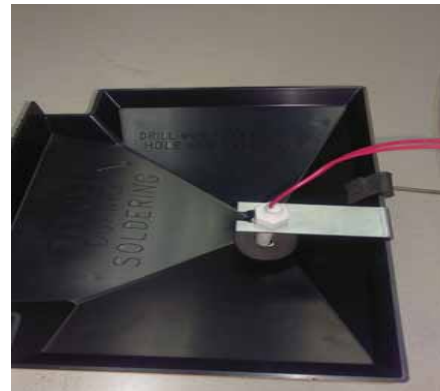
Condensate Overflow Detection Device

The condensate overflow detection device is an option on fan-coil units with either a Tracer® ZN010, ZN510, ZN520, UC400-B, or the customer-supplied control interface. The float switch, mounting bracket, and coiled leads ship attached inside the piping end pocket of the unit. Install the switch by placing the hole or slot in the bracket over the condensate overflow drain (of the auxiliary drain pan) with the switch float extending over the pan. Secure the drain pan by attaching the pan's bracket with the factory provided clip. See the figures below.

Figure 28. Condensate float switch installed in horizontal auxiliary drain pan



Figure 29. Condensate float switch installed in vertical auxiliary drain pan



Entering Water Temperature Sensor

Two-pipe changeover units with either the Tracer® ZN010, ZN510, ZN520, and UC400-B and CSTI controls have an entering water temperature sensor that senses supply water temperature. On units with a factory piping package, the factory straps the entering water temperature sensor to the piping supply water pipe.

Tracer® Controls use entering water temperature sampling eliminating the need for entering water temperature sensor relocation. If there are problems sensing accurate temperature for non-flowing water, move entering water temperature sensor as far down the supply line as possible to get accurate water temperatures. See the figures below.

Figure 30. Attach the entering water temperature sensor to the entering water pipe as shown for changeover to work properly



Coil Piping and Connections

Figure 31. Close-up view of the entering water temperature sensor



If the unit does not have a factory piping package, the factory attaches the sensor and coiled lead wires to the piping side end panel. The installer should attach the sensor parallel to and in direct contact with the supply water pipe.

Note: The installer is responsible to ensure the entering water temperature sensor is installed in a location that can sense active water temperature. Otherwise, the unit may fail to sense the correct operating mode and disable temperature control.

When using field supplied three-way valves, install the entering water temperature sensor upstream of the valve on the supply water pipe. When using field supplied two-way control valves, install the entering water temperature sensor in a location that will detect active water temperature. **The unit must always be able to sense the correct system water temperature, regardless of the control valve position.**

Note: The maximum length of the automatic changeover wire cannot exceed ten feet from the control panel. If the sensor extends beyond the unit chassis, use shielded conductors to eliminate radio frequency interference (RFI).

Venting the Hydronic Coil

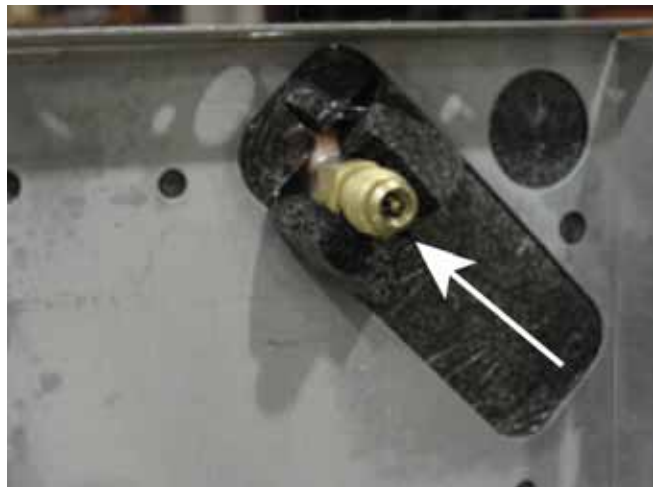
The hydronic coil contains a vent, either manual or automatic, to release air from the unit. This vent is not sufficient for venting the water piping system in the building.

The coil air vent is on the piping side, above the coil connections on the unit. See the figures below. Perform the following steps to vent the coil after installing the unit.

Figure 32. Manual coil air vent with set screw



Figure 33. Manual coil air vent with Shrader fitting



1. Pressurize the building piping system with water and vent any trapped air at system vents.
2. For units with manual air vents, back the set screw out to expel air from the unit and then re-tighten the set screw.

The automatic air vent should require no adjustment for the coil to vent. However, if the coil does not vent immediately, unscrew the outer portion of the fitting to expel air from the port.

If debris has become trapped in the vent, completely remove the outer portion of the fitting and clean.

External Insulating Requirements

Insulate and vapor seal surfaces colder than surrounding air dew-point a to prevent unplanned condensation. Trane recommends field-insulation of the following areas to prevent potential condensate problems:

- Supply and return water piping connections
- Condensate drain lines and connections
- Fresh air intake duct connections
- Discharge duct connections
- Wall boxes

Balancing Manual Circuit Setter Valve

The manual circuit setter valve is an optional end valve supplied on the return pipe of the factory piping package. The valve allows the operator to regulate water flow through the hydronic coil, balance the water flow through the unit with other units in the piping system, and serves as a shutoff or end valve. See the figure below.

Figure 34. Manual circuit setter valve



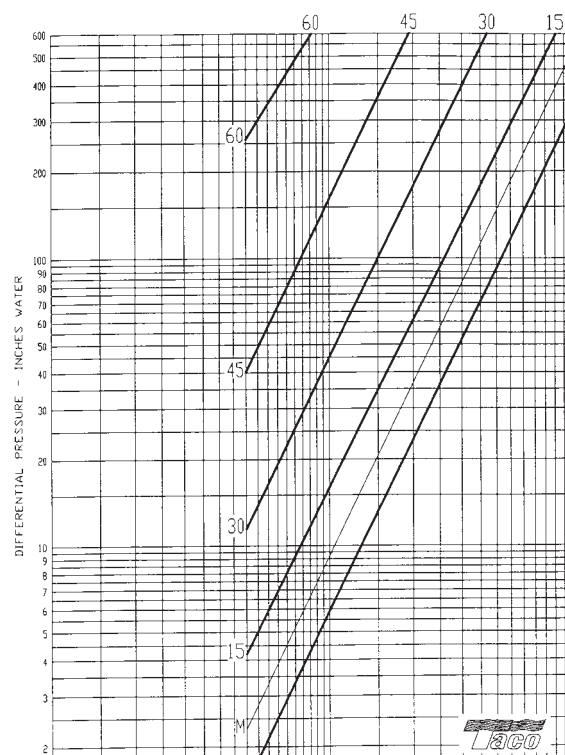
Perform the following procedure to set maximum water flow through the coil:

1. Establish water flow through the coil. Perform an open override of the valve if the control valve is closed to the coil, either manually or by Tracer®.
 - If the piping package has two-position, normally closed valves: Drive open the valve using a 24 V signal.
 - If the piping package has two-position, normally open valves: Manually drive open the valve by removing power to the valve.
 - If the piping package has modulating valves: To manually drive the valve open, lift off the actuator and turn the valve stem. Actuator can be used to turn the valve stem.
2. For presetting, use the appropriate valve curve shown in [Figure 35, p. 57](#) to determine which setting is necessary to achieve the appropriate pressure drop. The "M" line is the appropriate line.
3. Carefully remove the Schrader pressure port connection caps on the manual circuit setter, since they will be at the same temperature as the pipeline.
4. Bleed all air from the hoses and meter before reading the pressure drop. Refer to the gauge operating instructions.
5. Adjust the circuit setter valve by turning the valve stem until the appropriate pressure drop is achieved.

6. After achieving the proper setting, slightly loosen the two socket head cap screws and rotate the memory stop around until it touches the back side of the indicator. Then tighten the screws to securely set the open memory position. The memory stop indicates the last set open position.
7. If using a three-way valve: close the control valve to the coil, with the differential pressure meter still connected. This will divert flow to the bypass side of a three-way valve.

Adjust the balancing fitting to obtain the same pressure drop across the circuit setter valve as in step two when the control valve was open to the coil.

Figure 35. Manual circuit setter valve, differential pressure vs. flow



Note: Instructions for using this chart appear on the preceding page. For the manual circuit setter provided with fan-coil or Force-Flo units, use the 'M'.

Valve and Actuator Operation

- Two position actuators are different for normally open (N.O) and normally closed (N.C) and are capacitor discharge return.
- Valve operation is the same.
- All actuators are clockwise to close and counterclockwise to open with wire harness facing you and looking at the top of the actuator.

Valve Stroke Time

Table 22. Valve stroke time

Valve Selection	End Stop Position	Stroke Time (Seconds)
1/2 in. 2-way 1.4 Cv	No end stop	75
1/2 in. 2-way 2.4 Cv	5	55
3/4 in. 2-way 3.4 Cv	6	62
1/2 in. 3-way 1.0 Cv	No end stop	75

Table 23. Actuator clip setting

2-way Valve Body	1	2	3-	3+	4	4+	5	5+	6	N	No End Stop
1/2 in. Z2050QS-F Cv	0.1		0.2			0.4		0.6	0.8	1.2	1.4(a)
1/2 in. Z2050QS-J Cv	0.5	0.7		1.2	1.7		2.4(a)		3.4(a)	4.8	5.9
3/4 in. Z2075QS-K Cv	0.5	1		1.5	2.3		3.3		4.6	6.6	9.8
Stroke time (seconds)	30	37	41	43	49	51	55	58	62	68	75

(a) This Cv shows the standard Cv offering for 2-way valves.

Figure 36. Cv adjustments



Table 22. Valve stroke time (continued)

Valve Selection	End Stop Position	Stroke Time (Seconds)
1/2 in. 3-way 2.7 Cv	No end stop	75
3/4 in. 3-way 4.6 Cv	No end stop	75

Field-Set Flow Capacity Adjustment

- If a different Cv is required, align the clip to the notch scale found on the underside of the actuator to the corresponding Cv in the table below.
- For 3-point floating, control signals adjust the controller stroke time parameter to match the stroke time of the final clip position.
- For all 3-way valves, the stroke time is 75 seconds and there is no end stop on the actuator.
- The Cv can not be changed for 3-way valves.

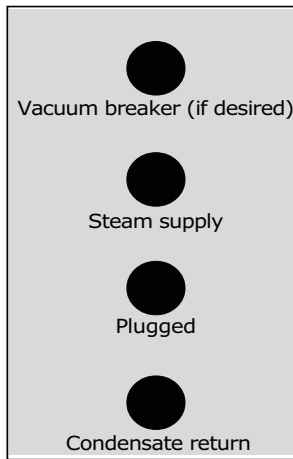
Notice

Coil Damage!

Failure to do so could cause physical coil damage from water hammer, unequal thermal stresses, freeze-up and/or corrosion. In all steam coil installations, the condensate return connections must be at the low point of the coil to ensure condensate flows freely from the coil at all times.

1. Making piping connections to the steam coil as shown in the figure below. Cap the unused connections.

Figure 37. Main steam coil connection diagram



2. The coil is already pitched within the unit to provide proper pitch to drain condensate out of the coil. Verify that the unit has been properly leveled.
3. Install a 1/2-inch, 15-degree swing check vacuum breaker in the unused condensate return tapping as close as possible to the coil.
4. Vent the vacuum breaker line to atmosphere or connect it into the return main at the discharge side of the steam trap.
5. Pitch all steam supply and return mains down a minimum of one inch per ten feet in the direction of flow.
6. Do not drain the steam mains or take-off through the coils. Drain the mains ahead of the coils through a steam trap to the return line.
7. Overhead returns require one psig of pressure at the steam trap discharge for each two-foot elevation to ensure continuous condensate removal.
8. Proper steam trap selection and installation is necessary for satisfactory coil performance and service life. For installation, use the following steps:
 - a. Position the steam trap discharge at least 12 inches below the condensate return connection. This provides sufficient hydrostatic head pressure to overcome trap losses and ensure complete condensate removal.
 - b. Trane recommends using flat and thermostatic traps because of gravity drain and continuous discharge operation.
 - c. Use float and thermostatic traps with atmospheric pressure gravity condensate return, with automatic controls or where the possibility of low pressure supply steam exists.

- d. Always install strainers as close as possible to the trap inlet side. See the following figure for an example of a properly piped steam coil.

Figure 38. Typical piping for steam coils

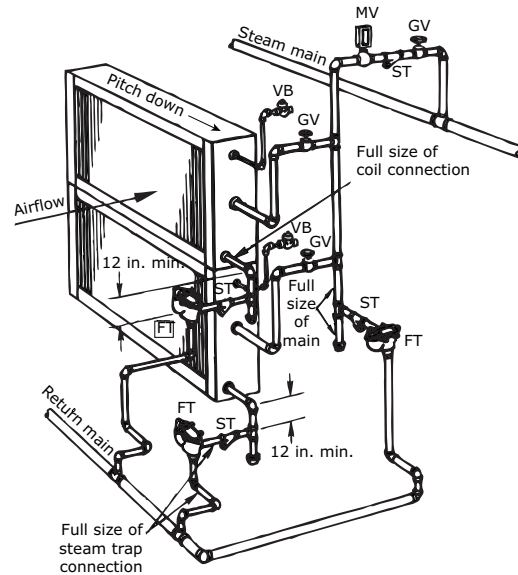


Table 24. Code of system components in piping diagram

FT	Float and thermostatic steam trap
BT	Bucket steam trap
GV	Gate valve
OV	Automatic two-position (on-off) control valve
TV	Automatic three-way control valve
VB	Vacuum breaker
CV	Check valve
ST	Strainer
AV	Automatic or manual air vent



Installation - Electrical

Note: Any modifications, additions or changes to the control box could void the factory warranty and UL certification. Such modification, additions or changes will become the responsibly of the modifying contractor.

Unit Wiring Diagrams

Specific unit wiring diagrams, based on unit options ordered, are provided inside each unit and can be easily removed for reference. Use these diagrams for connections or trouble analysis. Wiring diagrams are attached on the inside of the front panel of vertical cabinet and recessed models and on the fan and motor panel of vertical concealed and all horizontal models. For *typical* wiring information, see the Wiring Diagrams chapter.

Note: Any modifications, additions or changes to the control box could void the factory warranty and UL certification. Such modification, additions or changes will become the responsibly of the modifying contractor.

Supply Power Wiring

⚠ WARNING

Hazardous Voltage w/Capacitors!

Failure to disconnect power and discharge capacitors before servicing could result in death or serious injury. Disconnect all electric power, including remote disconnects and discharge all motor start/run capacitors before servicing. Follow proper lockout/tagout procedures to ensure the power cannot be inadvertently energized. For variable frequency drives or other energy storing components provided by Trane or others, refer to the appropriate manufacturer's literature for allowable waiting periods for discharge of capacitors. Verify with an appropriate voltmeter that all capacitors have discharged.

For additional information regarding the safe discharge of capacitors, see PROD-SVB06A-EN

Refer to the unit nameplate to obtain the minimum circuit ampacity (MCA) and maximum overcurrent protection (MOP) to properly size field supply wiring and fuses or circuit breakers.

Refer to the unit operating voltage listed on the unit wiring schematic, submittal, or nameplate. Reference the wiring schematic for specific wiring connections.

NOTICE:

Use Copper Conductors Only!

Failure to use copper conductors could result in equipment damage as unit terminals are not designed to accept other types of conductors.

Note: All field wiring should conform to NEC and all applicable state and local code requirements. The control panel box is always on the end opposite the piping connections. Access the control box by removing the two screws that secure the front cover. This will allow the panel to be removed, to provide access to the electrical components.

⚠ WARNING

Hazardous Electrical Shorts!

Insulate all power wire from sheet metal ground. Failure to do so may cause electrical shorts that could result in death or serious injury.

If the unit does not have electric heat, the power leads and capped ground wire are inside the junction box directly beneath the control panel.

If the unit has electric heat, the power leads are in the electric heat control box directly beneath the control panel.

Lowboy power leads are in the compartment to the side of the control box.

Electrical Grounding Restrictions

All sensor and input circuits are normally at or near ground (common) potential. When wiring sensors and other input devices to the Tracer® controller, avoid creating ground loops with grounded conductors external to the unit control circuit. Ground loops can affect the measurement accuracy of the controller.

NOTICE:

Equipment Damage!

Unit transformer IT1 provides power to fan-coil unit only. Field connections directly to the transformer IT1 may create immediate or premature unit component failure.

All input/output circuits (except isolated relay contacts and optically isolated inputs) assume a grounded source, either a ground wire at the supply transformer to control panel chassis, or an installer supplied ground.

Interconnection Wiring

The installer must provide interconnection wiring to connect wall-mounted devices such as a fan control switch or zone sensor module.

Refer to the unit wiring schematic for specific wiring details and point-to-point wiring connections. Dashed lines indicate field wiring on the unit wiring schematics. All interconnection wiring must conform to NEC Class 2 wiring requirements and any state and local requirements.

Refer to the table below for the wire size range and maximum wiring distance for each device.

Table 25. Maximum wiring distances for low voltage controls (ft)

Device	Wire Size	Range
Fan Control Switch	14-22 AWG	500
Zone Sensor	16-22 AWG	200

Recommendation: Do not bundle or run interconnection wiring in parallel with or in the same conduit with any high-voltage wires (110 V or greater). Exposure of interconnection wiring to high voltage wiring, inductive loads, or RF transmitters may cause radio frequency interference (RFI). In addition, improper separation may cause electrical noise problems. Therefore, use shielded wire (Belden 83559/83562 or equivalent) in applications that require a high degree of noise immunity. Connect the shield to the chassis ground and tape at the other end.

Note: Do not connect any sensor or input circuit to an external ground connection.

Table 26. Free discharge and high static ECMs programmed to standard ECM mode

Unit Size	115 Volt				208-230 Volt				277 Volt			
	FLA		HP		FLA		HP		FLA		HP	
2	2.2	0.13	1.4	0.13	1.6	0.24						
3	2.2	0.13	1.4	0.13	1.6	0.24						
4	2.2	0.13	1.4	0.13	1.6	0.24						
6	3.1	0.22	1.8	0.22	1.6	0.24						
8	3.1	0.22	1.8	0.22	1.6	0.24						
10	3.1	0.22	1.8	0.22	1.6	0.24	1.6	1.6	0.24	0.24		
12	3.1	0.22	1.8	0.22	1.6	0.24	1.6	1.6	0.24	0.24		

Table 27. Free discharge ECMs programmed to reduced FLA mode

Unit Size	115 Volt				208-230 Volt				277 Volt			
	FLA		HP		FLA		HP		FLA		HP	
2	0.6	0.13	0.4	0.13	0.3	0.24						
3	0.6	0.13	0.4	0.13	0.3	0.24						
4	0.8	0.13	0.6	0.13	0.4	0.24						
6	1.1	0.22	0.8	0.22	0.6	0.24						
8	1.6	0.22	1.1	0.22	0.8	0.24						
10	0.7	0.13	0.5	0.13	0.4	0.24	0.4	0.6	0.24	0.24		
12	0.7	0.13	0.5	0.13	0.4	0.24	0.4	0.7	0.24	0.24		

Table 28. High static ECMs programmed to reduced FLA mode

Unit Size	115 Volt				208-230 Volt				277 Volt			
	FLA		HP		FLA		HP		FLA		HP	
2	1.3	0.13	0.9	0.13	0.7	0.24						
3	1.3	0.13	0.9	0.13	0.7	0.24						
4	1.7	0.13	1.2	0.13	0.9	0.24						
6	2.3	0.22	1.6	0.22	1.2	0.24						
8	3.1	0.22	1.8	0.22	1.5	0.24						
10	1.4	0.13	1	0.13	0.7	0.24	0.7	1.1	0.24	0.24		
12	1.5	0.13	1.1	0.13	0.8	0.24	0.8	1.4	0.24	0.24		

Table 29. Low vertical free discharge ECMs

Unit Size	115 Volt		RPM		
	FLA	HP	H	M	L
3	3.1	0.22	1090	770	560
4	3.1	0.22	1090	750	560
6	3.1	0.22	1115	760	560

Note: Actual rpm will vary with application and configuration.

Table 30. Lowboy vertical free discharge ECMs programmed with reduced FLA mode

Unit Size	115 Volt		RPM		
	FLA	HP	H	M	L
3	0.5	0.22	1090	770	560
4	0.8	0.22	1090	750	560
6	1	0.22	1115	760	560

Note: Actual rpm will vary with application and configuration.

Table 31. Unit RPM

Unit Size	Free Discharge—Units with 2-Row Coils			Free Discharge—Units with 3- and 4-Row Coils		
	H	M	L	H	M	L
2	980	840	655	980	840	655
3	980	780	580	1080	800	600
4	1050	780	580	1080	800	600
6	1030	780	580	1080	800	600
8	1080	800	600	1080	800	600
10	1050	780	580	1080	800	600
12	1030	780	580	1080	800	600
	1050	780	580	1080	800	600
	1080	800	600	1080	800	600

Unit Size	High Static—Units with 2-Row Coils			High Static—Units with 3- and 4-Row Coils		
	H	M	L	H	M	L
2	1480	1110	865	1480	1110	865
3	1400	1175	860	1500	1355	1110
4	1475	1315	1070	1580	1375	1240
6	1400	1070	855	1475	1285	975
8	1475	1285	975	1475	1285	975
10	1475	1315	1070	1580	1375	1240
12	1400	1070	855	1475	1285	975
	1475	1315	1070	1580	1375	1240
	1475	1285	975	1475	1285	975

Note: Actual rpm will vary with application and configuration.

Table 32. Electric heat kW, low vertical fan-coil

Unit Size	Unit Voltage	kW	kW	kW	kW
3.0	115	1.00	1.50	2.00	
4.0	115	1.00	1.50	2.00	2.50
6.0	115	1.00	1.50	2.00	2.50

Note: Low vertical units are only available with electric heat in combination with the two-row cooling coil.

MCA and MOP Calculations

Minimum circuit ampacity (MCA) and Maximum Overcurrent Protection (MOP) calculations for units with single-phase electric heat:

$$\text{Heater amps} = (\text{heater kW} \times 1000) / \text{heater voltage}$$

Note: Use 120 V heater voltage for 115 V units. Use 240 V heater voltage for 230 V units.



Installation - Electrical

MCA = 1.25 x (heater amps + all motor FLAs)

MOP = (2.25 x largest motor FLA) + second motor FLA + heater amps (if applicable)

Select a standard fuse equal to or less than the MOP. The selected fuse must be larger than the MCA.

Standard fuse sizes are: 15, 20, 25, 30, 35, 40, 45, 50, 60 amps

Fan-coil electric heat MBh = (heater kW) (3.413)

Table 33. Force-Flo single-stage, max kW electric heat

Unit Size	Voltage	# Wires	Heater kW	Heater amps/ph
02	208/60/1	2	2.25	10.90
	240/60/1	2	3.00	12.50
	277/60/1	2	3.00	10.90
	208/60/3	3	2.25	6.30
	240/60/3	3	3.00	7.30
	480/60/3	4	3.00	3.70
	220-240/50/1	2	3.00	12.50
	220-240/50/3	3	3.00	7.30
	380-415/50/3	4	3.00	4.20
03	208/60/1	2	4.50	21.70
	240/60/1	2	6.00	25.00
	277/60/1	2	6.00	21.70
	208/60/3	3	4.50	12.60
	240/60/3	3	6.00	14.50
	480/60/3	4	6.00	7.30
	220-240/50/1	2	6.00	25.00
	220-240/50/3	3	6.00	14.50
	380-415/50/3	4	6.00	8.40
04	208/60/1	2	5.70	27.50
	240/60/1	2	7.50	31.30
	277/60/1	2	7.50	27.10
	208/60/3	3	5.70	15.90
	240/60/3	3	7.50	18.10
	480/60/3	4	7.50	9.10
	220-240/50/1	2	7.50	31.30
	220-240/50/3	3	7.50	18.10
	380-415/50/3	4	7.50	10.50

Table 33. Force-Flo single-stage, max kW electric heat

06	208/60/1	2	7.90	38.00
	240/60/1	2	10.50	43.80
	277/60/1	2	10.50	38.00
	208/60/3	3	7.90	21.90
	240/60/3	3	10.50	25.30
	480/60/3	4	10.50	12.70
	220-240/50/1	2	10.50	43.80
	220-240/50/3	3	10.50	25.30
	380-415/50/3	4	10.50	14.70

Table 34. Force-Flo single stage, low kW electric heat

Unit Size	Voltage	# Wires	kW	amps/ph	kW	amps/ph	kW	amps/ph
2	208/60/1	2	0.8	3.7	1.5	7.3		
	240/60/1	2	1.0	4.2	2.0	8.4		
	277/60/1	2	1.0	3.7	2.0	7.3		
	220-240/50/1	2	1.0	4.2	2.0	8.4		
3	208/60/1	2	2.3	10.9				
	240/60/1	2	3.0	12.5				
	277/60/1	2	3.0	10.9				
	208/60/3	3	2.3	6.3				
	240/60/3	3	3.0	7.3				
	480/60/3	4	3.0	3.7				
	220-240/50/1	2	3.0	12.5				
	220-240/50/3	3	3.0	7.3				
4	380-415/50/3	4	3.0	4.2				
	208/60/1	2	2.3	10.9				
	240/60/1	2	3.0	12.5				
	277/60/1	2	3.0	10.9				
	208/60/3	3	2.3	6.3				
	240/60/3	3	3.0	7.3				
	480/60/3	4	3.0	3.7				
	220-240/50/1	2	3.0	12.5				
6	220-240/50/3	3	3.0	7.3				
	380-415/50/3	4	3.0	4.2				
	208/60/1	2	2.3	10.9	3.3	15.9		
	240/60/1	2	3.0	12.5	4.5	18.8		
	277/60/1	2	3.0	10.9	4.5	16.3		
	208/60/3	3	2.3	6.3	3.3	9.2		
	240/60/3	3	3.0	7.3	4.5	10.9		
	480/60/3	4	3.0	3.7	4.5	5.5		
8	220-240/50/1	2	3.0	12.5	4.5	18.8		
	220-240/50/3	3	3.0	7.3	4.5	10.9		
	380-415/50/3	4	3.0	4.2	4.5	6.3		
	208/60/1	2	2.3	10.9	3.3	15.9	5	21.7
	240/60/1	2	3.0	12.5	4.5	18.8	6	25.0
	277/60/1	2	3.0	10.9	4.5	16.3	6	21.7
	208/60/3	3	2.3	6.3	3.3	9.2	5	12.5
	240/60/3	3	3.0	7.3	4.5	10.9	6	14.5
10	480/60/3	4	3.0	3.7	4.5	5.5	6	7.3
	220-240/50/1	2	3.0	12.5	4.5	18.8	6	25.0
	220-240/50/3	3	3.0	7.3	4.5	10.9	6	14.5
	380-415/50/3	4	3.0	4.2	4.5	6.3	6	8.4

Table 34. Force-Flo single stage, low kW electric heat

10	208/60/1	2	2.3	10.9	3.3	15.9	6	27.5
	240/60/1	2	3.0	12.5	4.5	18.8	8	31.3
	277/60/1	2	3.0	10.9	4.5	16.3	8	27.1
	208/60/3	3	2.3	6.3	3.3	9.2	6	15.9
12	240/60/3	3	3.0	7.3	4.5	10.9	8	18.1
	480/60/3	4	3.0	3.7	4.5	5.5	8	9.1
	220-240/50/1	2	3.0	12.5	4.5	18.8	8	31.3
	220-240/50/3	3	3.0	7.3	4.5	10.9	8	18.1
12	380-415/50/3	4	3.0	4.2	4.5	6.3	8	10.5
	208/60/1	2	2.3	10.9	4.5	21.9	7	31.8
	240/60/1	2	3.0	12.5	6.0	25.2	9	37.5
	277/60/1	2	3.0	10.9	6.0	21.9	9	32.5
	208/60/3	3	2.3	6.3	4.5	12.5	7	18.4
	240/60/3	3	3.0	7.3	6.0	14.5	9	21.7
	480/60/3	4	3.0	3.7	6.0	7.3	9	10.9
	220-240/50/1	2	3.0	12.5	6.0	25.2	9	37.5
12	220-240/50/3	3	3.0	7.3	6.0	14.5	9	21.7
	380-415/50/3	4	3.0	4.2	6.0	8.4	9	12.6

Note: All data based on individual units.

Unit Size	Voltage	# Wires	kW	amps/ph	kW	amps/ph	kW	amps/ph
-----------	---------	---------	----	---------	----	---------	----	---------



Installation - Electrical

Table 35. Force-Flo two-stage electric heat

Unit Size	Voltage	# Wires	1 st Stage kW	Total kW	Total amps/ph
02	208/60/1	2	0.8	2.3	10.9
	240/60/1	2	1.0	3.0	12.5
	277/60/1	2	1.0	3.0	10.9
	208/60/3	3	0.8	2.3	6.3
	240/60/3	3	1.0	3.0	7.3
	480/60/3	4	1.0	3.0	3.7
	220-240/50/1	2	1.0	3.0	12.5
	220-240/50/3	3	1.0	3.0	7.3
	380-415/50/3	4	1.0	3.0	4.2
03	208/60/1	2	1.5	4.5	21.7
	240/60/1	2	2.0	6.0	25.0
	277/60/1	2	2.0	6.0	21.7
	208/60/3	3	1.5	4.5	12.6
	240/60/3	3	2.0	6.0	14.5
	480/60/3	4	2.0	6.0	7.3
	220-240/50/1	2	2.0	6.0	25.0
	220-240/50/3	3	2.0	6.0	14.5
380-415/50/3	4	2.0	6.0	8.4	
04	208/60/1	2	1.9	5.7	27.5
	240/60/1	2	2.5	7.5	31.3
	277/60/1	2	2.5	7.5	27.1
	208/60/3	3	1.9	5.7	15.9
	240/60/3	3	2.5	7.5	18.1
	480/60/3	4	2.5	7.5	9.1
	220-240/50/1	2	2.5	7.5	31.3
	220-240/50/3	3	2.5	7.5	18.1
380-415/50/3	4	2.5	7.5	10.5	
06	208/60/1	2	2.2	7.9	38.0
	240/60/1	2	3.0	10.5	43.8
	277/60/1	2	3.0	10.5	38.0
	208/60/3	3	3.4	7.9	21.9
	240/60/3	3	4.5	10.5	25.3
	480/60/3	4	4.5	10.5	12.7
	220-240/50/1	2	3.0	10.5	43.8
	220-240/50/3	3	4.5	10.5	25.3
380-415/50/3	4	4.5	10.5	14.7	

Table 35. Force-Flo two-stage electric heat

Unit Size	Voltage	# Wires	1 st Stage kW	Total kW	Total amps/ph
08	208/60/3	3	4.5	10.1	28.2
	240/60/3	3	6.0	13.5	32.5
	480/60/3	4	6.0	13.5	16.3
	220-240/50/3	3	6.0	13.5	32.5
	380-415/50/3	4	6.0	13.5	18.8
10	480/60/3	4	8.0	18.0	21.7
	380-415/50/3	4	8.0	18.0	25.1
12	480/60/3	4	9.0	20.0	24.1
	380-415/50/3	4	9.0	20.0	27.9

Note: When both stages are on, the electric heat will operate only when fan is in high speed. All data based on individual units.



ECM Overview and Setup

Overview

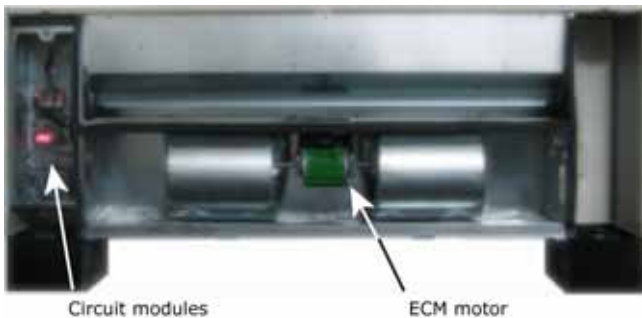
This section addresses integrating the new Trane electronically commutated motor (ECM) and VelociTach™ motor control board. This exciting new series delivers outstanding comfort, safety, and performance with greatly reduced energy consumption compared to traditional units with induction AC motors.

The new series of units will provide a long service life with proper installation and operation. The new system provides a high degree of flexibility and configurability, but the simplicity of customized factory configuration appropriate to most installations.

Very little intervention is needed by service and installation personnel in most applications; however, installers must read through the entire document before beginning installation of the new equipment.

This literature focuses on unit motors and controls, including three new circuit modules developed specifically for this series.

Figure 39. UniTrane fan-coil with Trane ECM motor



There are four primary components that enable the technology on your product:

- Trane ECM
- VelociTach motor control board
- Standard adapter board
- CSTI adapter board

The motors and modules are combined as systems, and cannot work without each other.

Electronically Commutated Motor (ECM)

Figure 40. Trane ECM



- The ECM has integrated electronics, overload protection and short circuit protection. The motor contains no user-serviceable components inside.

NOTICE:

Equipment Damage!

Failure to follow this instruction could result in equipment damage. The motor harness attached to the single plug to which the motor mates contains the very important motor voltage jumper and should not be modified or substituted.

- The motor mates to the unit electrically via a single plug that contains both the operating voltage and the control signals that are needed for correct operation.

VelociTach Motor Control Board

The VelociTach™ motor control board controls and reports the performance of up to two Trane brushless DC (BLDC) motors.

Figure 41. VelociTach motor control board



The motor control board also:

- Coordinates the operation of the fan in response to electric heat behavior and electric behavior in response to hydronic heat behavior.
- Incorporates a user interface that allows adjustment of certain unit parameters and provides constant feedback on motor operation.

Figure 43. Screen representation of alphabetical characters

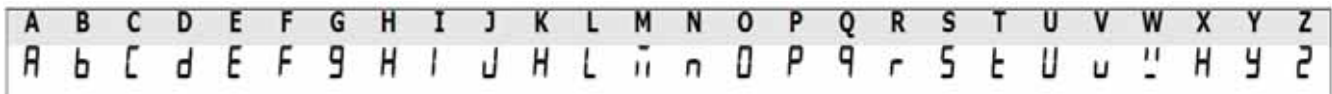


Figure 44. Screen representation of numerical characters

1	2	3	4	5	6	7	8	9	0
1	2	3	4	5	6	7	8	9	0

- Integrates service and troubleshooting tools.
- Integrates a versatile configurable auxiliary temperature sensor.
- Incorporates various safety and lockout features, such as maintaining proper fan speeds if electric heat is called for.

Status Display

Figure 42. Status display



The motor control board contains a four-digit, seven-segment display that is used to present information in a format close to real-world language, while having a small-form factor. Most characters are immediately recognizable; however, refer to the figures below for the graphical representation of each alphanumeric character.

Installation and Initial Setup

⚠ WARNING

Hazardous Voltage w/Capacitors!

Failure to disconnect power and discharge capacitors before servicing could result in death or serious injury. Disconnect all electric power, including remote disconnects and discharge all motor start/run capacitors before servicing. Follow proper lockout/tagout procedures to ensure the power cannot be inadvertently energized. For variable frequency drives or other energy storing components provided by Trane or others, refer to the appropriate manufacturer's literature for allowable waiting periods for discharge of capacitors. Verify with an appropriate voltmeter that all capacitors have discharged.

For additional information regarding the safe discharge of capacitors, see PROD-SVB06A-EN

⚠ WARNING

Hazardous Service Procedures!

Failure to follow all precautions in this manual and on the tags, stickers, and labels could result in death or serious injury. Technicians, in order to protect themselves from potential electrical, mechanical, and chemical hazards, MUST follow precautions in this manual and on the tags, stickers, and labels, as well as the following instructions: Unless specified otherwise, disconnect all electrical power including remote disconnect and discharge all energy storing devices such as capacitors before servicing. Follow proper lockout/tagout procedures to ensure the power can not be inadvertently energized. When necessary to work with live electrical components, have a qualified licensed electrician or other individual who has been trained in handling live electrical components perform these tasks.

Safety Requirements

Follow all recommendations below. Failure to do so could result in death or serious injury.

- The ECM motors contain capacitors which store residual energy. Please keep clear of the fan wheels for 5 minutes after the power has been removed from the system, as a power request with the motor powered off, could result in a very short period of actuation.
- All settings take effect immediately, including fan startup and enabling of electric heat. Caution should be taken to stay clear of hazardous voltages, moving parts and electric heat elements while making adjustments to the VelociTach motor control board. If it is not practical to stay clear of these areas during adjustment of the motor control board, please contact Trane Global Parts for configuration kit that allows easy powering of the motor control board outside of the unit with a 9V battery.

- Changes to switch settings on the CSTI adapter board take effect immediately. Changes should be made to the CSTI configuration switches with the power off.
- Initial hookups to the CSTI and Standard Adapter board, including low voltage interconnections, must be made with the power off.
- Do not make connections to the motors or the adapter boards while power is ON. Do not remove connections to the motor or the adapter boards while the power is ON.
- Do not free spin the fan wheels with your hands while the unit is powered on. The system is constantly scanning and responding to the operational status of the motors.

Setup

Note: Normally, Trane ECMs are configured for soft ramps and transitions between speeds. However, to aid in commissioning of the unit, for approximately 10–15 minutes, the ramps will be shortened to quickly observe proper unit behavior and response to speeds.

For new installations, all boards and motors are pre-installed and pre-configured according to the unit configuration, indicated by its model number.

Under normal and intended operation, the only required intervention specific to the new ECM units is the wiring of:

- Wall-mounted low-voltage fan speed switch inputs to the adapter boards' terminal strips and 24 Vac tap to field-installed fan speed switch.
- Field-supplied controllers/thermostats to the adapter boards' terminal strips and 24 Vac power tap to field-supplied controller/thermostat.
- Adjustment and calibration of the variable speed inputs (VSP/0–10V) on the system.
- Adjustment, calibration or disabling of the optional auto-changeover function on CSTI units.

Otherwise, proceed with the mechanical, electrical and controls installations as defined in other sections of this manual, following all warnings and cautions.

After installation, turn power on.

Note: Specifications subject to change without notice. Consult the unit submittals and unit schematics before determining hookup requirements. Terminal block positions, polarities and assignments are determined for specific unit configurations only. Signal assignments are indicated, for reference only.

Both adapter boards come equipped with integrated terminal blocks to hook up to the field supplied/mounted fan speed switches and external controls. Connections should be made to the screw terminals with wires between 16 AWG and 24 AWG, with a ~4–5-mm wire strip length. The terminal blocks have 5-mm spacing, and are equipped

with 3-mm screws. The field-supplied wires should have an insulation rating of 600 V.

VelociTach Motor Control Board

⚠ WARNING

Safety Alert!

You **MUST** follow all recommendations below. Failure to do so could result in death or serious injury.

All settings take effect immediately, including fan startup and enabling of electric heat. Caution should be taken to stay clear of hazardous voltages, moving parts and electric heat elements while making adjustments to the motor control board. If it is not practical to stay clear of these areas during adjustment of the motor control board, please contact Trane Global Parts for configuration kit that allows easy powering of the motor control board outside of the unit with a 9V battery.

⚠ CAUTION

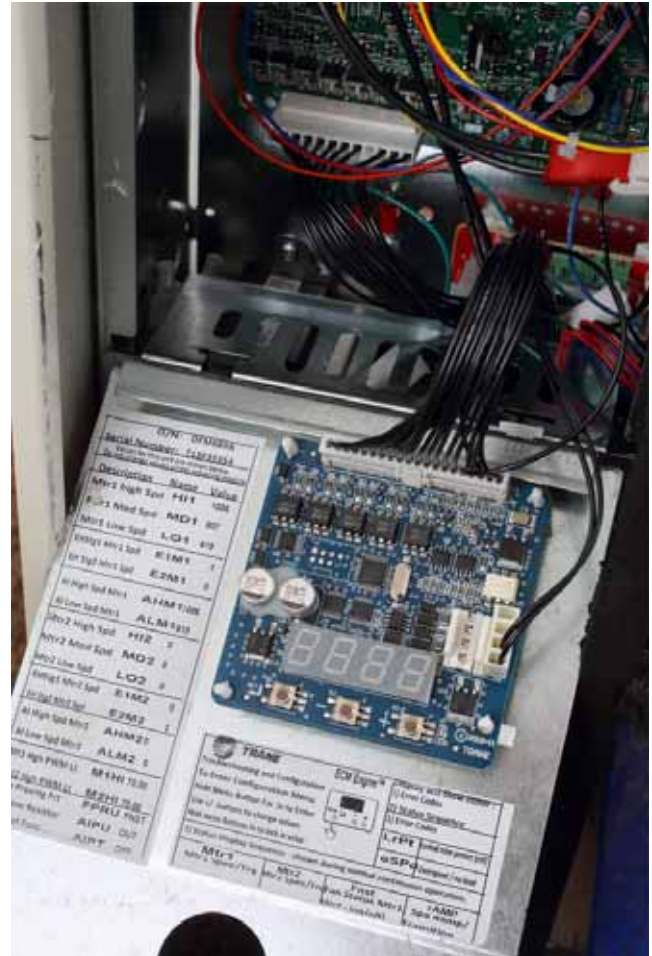
Burn Hazard!

Failure to follow this instruction could result in the unit overheating and becoming hot to the touch, which could result in minor or moderate injury, and/or equipment damage. On electric heat units, certain parameter values are locked out to prevent overheating of the unit. These functions will appear to be saved; however, they will not be accepted if the Electric Heat Protection setting is "On". Do not change the Electric Heat Protection setting to "Off" and make changes to the protected settings unless you are programming an unconfigured service replacement board to match the unit settings on a ECM configuration label.

The motor control board functions and unit specific settings are summarized on the motor control board configuration label affixed to the back side of the control panel low voltage lid on every unit.

To check status, configuration, or to change settings on the motor control board with the power on the unit, remove the two screws at the top of the low voltage access lid and open. The motor control board will be visible. See the figure below.

Figure 45. VelociTach motor control board



The motor control board features a nested menu integrated user interface (UI) that supports:

- Status display for instant touch-free confirmation of unit operation.
- Configuration parameter and value display and modification changes (using integrated menu/set buttons).
- Error code prioritized reporting.

Note: Characters on the VelociTach motor control board display appear in red, on a black background.

The display contains decimal positions as well that change position with each parameter, as appropriate. Under normal conditions (i.e., with no error code displayed), the status will loop the following message:

Figure 46. Operational Status Codes

RPM Mode RUNNING/ FAN STATUS CONTINUOUS LOOP Displayed when: 1) No error codes are present 2) Motor has completed ramping	mtr1 0000 → 2000	Indicates the current rpm of Motor 1 in the system. "0" rpm here indicate that no fan speed has been requested.
	mtr2 0000 → 2000	Indicates the current rpm of Motor 2 in the system. "0" rpm here indicate a fan off condition OR a fan "missing" condition ^(a) .
	Fst1 yes / no	Indicates the status being calculated or Fan Motor 1. If "off," this indicates that either: 1) No fan speed is being requested or 2) The fan performance is failing to meet the request; refer to "ECM Motors," p. 150 for additional troubleshooting information. If "on" this indicates that the fan is performing correctly and will be used to report fan status correctly, depending on FPRV mode.
	Fst2 yes / no	Indicates the status being calculated or Fan Motor 2. If "off," this indicates that either: 1) No fan speed is being requested or 2) The fan performance is failing to meet the request; refer to "ECM Motors," p. 150 for additional troubleshooting information. 3) If the target speed for Motor 2 is "0," this is used to indicate a missing motor ^(a) . If "on," this indicates that the fan is performing correctly and will be used to report fan status correctly, depending on FPRV mode.
	EhEn yes / no	Indicates that the temperature sensing circuit has calculated a logical "on" based on the settings of the following parameters:
	Ai2m / ai2b / aipu yes / no	

(a) Motor 1 is the only motor in fan coil units.

User Interface

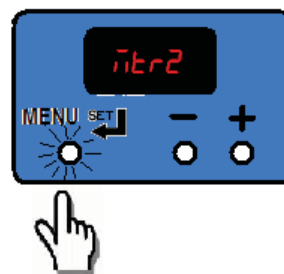
The VelociTach motor control board's on-board user interface is easy to use and supports:

- Verification/auditing of on-board parameter settings (read-only)
- Adjustment of the on-board settings (write)

The user interface has three input buttons (see the figure below), from left to right:

- Menu/Set
- Decrement
- Increment

Figure 47. User interface input buttons



Each button has several different actuation levels depending on length of press, and what the UI is currently displaying.

Table 36. Button actuation levels

Button	Duration	Action	Menu/Set
Short Press in Status Display	<1 sec	None	
Short Press in Configuration Display			Toggles between parameter name and value without saving (abandons value if changed).
Long Press/Hold in Status Display	>3 sec	Enters the configuration menu	
Long Press/Hold in Configuration Display	>3 sec		If on a parameter name, toggles to the value. If on a parameter value, saves the value settings and returns to the parameter name as confirmation.

Button	Duration	Action	Decrement
Short Press in Status Display	<1 sec	None	
Short Press in Configuration Display	<1 sec		Scrolls through parameter names, or decreases value of parameter.
Long Press/Hold in Status Display	>3 sec	n/a	
Long Press/Hold in Configuration Display	>3 sec		Faster scroll through parameter name, or faster decrease of values of parameters.

Button	Duration	Action	Increment
Short Press in Status Display	<1 sec	None	
Short Press in Configuration Display	<1 sec		Scrolls through parameter names, or increases value of parameter.
Long Press/Hold in Status Display	>3 sec	n/a	
Long Press/Hold in Configuration Display	>3 sec		Faster scroll through parameter name, or faster increase of values of parameters.

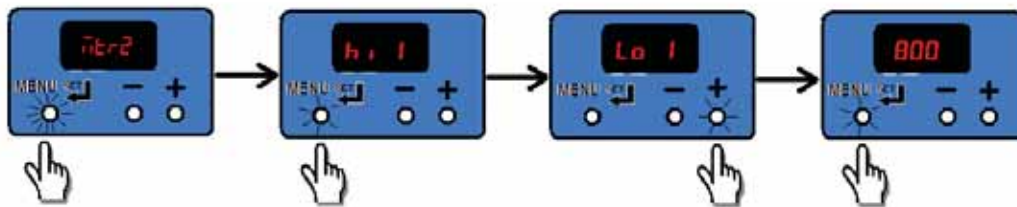
Configuration Examples

Example 1

To view the value of parameters without saving. In this case we wish to verify that the "Low Speed Value" for Motor 1 is set correctly to 800 rpm.

We start with the motor control board scrolling status display and proceed as follows:

Figure 48. Verify low speed value



Example 2

We wish to change the change the value of Low Speed to 820 rpm:

We will continue from the previous example as shown below, using a long press to "save" the new desired value.

If the display has timed out and returned to the status loop, repeat Example 1 to arrive back at this example's starting point.

Figure 49. Change value of low speed value

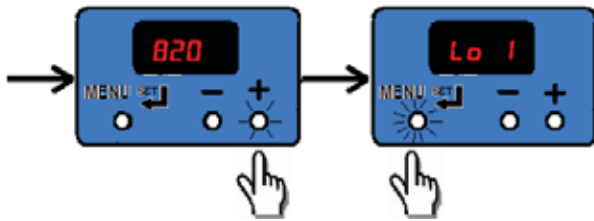
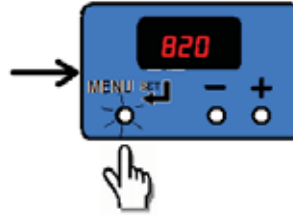


Figure 50. Verify value of 820 rpm



Example 3

We wish to double check to see if the value of “820 rpm” has been saved.

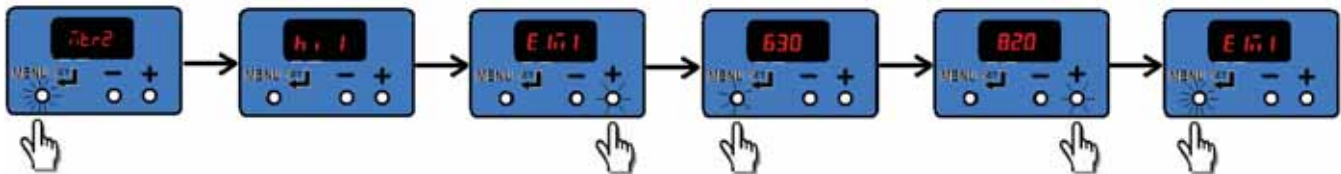
If the display has timed out and returned to the status loop, repeat Example 1 and Example 2 to arrive back at this example’s starting point.

Example 4

We wish to change the value of a protected value on an electric heat unit. See [Figure 51](#).

It would appear that the value has been changed, but if we check the value, we notice that the original value has been retained.

Figure 51. Change value on electric heat unit



Priority/Error Display

Under special conditions, the status display will interrupt briefly to prioritize display of events:

Notes:

- During error displays, the user interface will be disabled, until the error is removed or resolved.
- If changes are made to parameters and saved, most settings take effect immediately. Any change to fan speeds will take effect and cause the configuration menu to exit immediately to begin tracking speeds via the on-board tachometer.
- If a error occurs while the configuration menu is in effect, all unsaved values will be discarded and the error codes will be displayed.

Table 37. Error Codes

Displayed during abnormal operation.	mtr1 LOCK	Indicates a locked rotor condition of Motor 1. The motor will be locked out until the cause has been resolved, and the power cycled; refer to “ECM Motors,” p. 150 for resolution details. Fan Status function, if being used, will report an inoperative motor. Electric heat and changeover heat will be shut down.
	mtr2 LOCK	Indicates a locked rotor condition of Motor 2. The motor will be locked out until the cause has been resolved, and the power cycled; refer to “ECM Motors,” p. 150 for resolution details. Motor 1 will continue to operate, but will not be monitored. Fan Status function, if being used, will report an inoperative motor. Electric heat and changeover heat will be shut down.
	mtr1 Ospd	Indicates that Motor 1 has experienced a run-away or over speed condition, and has been shutdown. The unit will offer limited “limp-in” performance, and Motor 2 will continue to operate, but will not be monitored. Fan Status function, if being used, will report an inoperative motor. Refer to “ECM Motors,” p. 150 to reset, the cause must be resolved and the power to the unit cycled. Electric heat and changeover heat will be shut down.
	mtr2 Ospd	Indicates that Motor 2 has experienced a run-away or over speed condition, and has been shutdown. The unit will offer limited “limp-in” performance, and Motor 1 will continue to operate, but will not be monitored. Fan Status function, if being used, will report an inoperative motor. Refer to “ECM Motors,” p. 150 to reset, the cause must be resolved and the power to the unit cycled. Electric heat and changeover heat will be shut down.
	Ramp 0000 → 2000 2000 → 0000 vI23	Indicates the motor is transitioning between speeds, ramping up or down. The message “RAMP” is briefly displayed, followed by the target speed for “Motor 1” only. Once the target speed has been reached, the status display will resume operation. On power on, the version of software is briefly displayed, followed by the results of a POST (power on self test).

Note: Fan coil units have only Motor 1 installed.

Adjustments

After connections of power and hookup of customer installed controls/fan speed control and under normal operative conditions, the only adjustments needed to be made to the motor control board during commissioning of the unit are:

- Adjustment and calibration of the variable speed inputs (VSP/0–10V) on the system, where applicable.
- Adjustment, calibration or disabling of the optional auto-changeover function on CSTI units, where applicable.

In addition, the CSTI adapter board offers configurability that can be used in special cases to adjust the following operation of the unit:

- Courtesy cooling/main valve logic inversion relays for use with normally open valves
- Courtesy heating/auxiliary valve logic inversion relays for use with normally open valves
- Changeover function for use with changeover coils (in conjunction with the motor control board)

The switches are factory-set based on the model number configuration as ordered; however, the information is

provided below to aid in the understanding of the operation of the system.

Adjusting Variable Speed Inputs

⚠ WARNING

Hazardous Voltage w/Capacitors!

Failure to disconnect power and discharge capacitors before servicing could result in death or serious injury. Disconnect all electric power, including remote disconnects and discharge all motor start/run capacitors before servicing. Follow proper lockout/tagout procedures to ensure the power cannot be inadvertently energized. For variable frequency drives or other energy storing components provided by Trane or others, refer to the appropriate manufacturer's literature for allowable waiting periods for discharge of capacitors. Verify with an appropriate voltmeter that all capacitors have discharged.

For additional information regarding the safe discharge of capacitors, see PROD-SVB06A-EN

⚠ WARNING

Safety Alert!

You **MUST** follow all recommendations below. Failure to do so could result in death or serious injury. All settings take effect immediately, including fan startup and enabling of electric heat. Caution should be taken to stay clear of hazardous voltages, moving parts and electric heat elements while making adjustments to the motor control board. If it is not practical to stay clear of these areas during adjustment of the motor control board, please contact Trane Global Parts for configuration kit that allows easy powering of the motor control board outside of the unit with a 9V battery.

⚠ CAUTION

Burn Hazard!

Failure to follow this instruction could result in the unit overheating and becoming hot to the touch, which could result in minor or moderate injury, and/or equipment damage. On electric heat units, certain parameter values are locked out to prevent overheating of the unit. These functions will appear to be saved; however, they will not be accepted if the Electric Heat Protection setting is "On". Do not change the Electric Heat Protection setting to "Off" and make changes to the protected settings unless you are programming an unconfigured service replacement board to match the unit settings on a motor control board configuration label.

NOTICE:

Equipment Damage!

You **MUST** follow all recommendations below. Failure to do so could result in equipment damage.

- Care should be taken in the system to use a single 24 Vac supply system to avoid damage to equipment.
- Care should be taken to observe proper polarity and grounding in the hookup of the 0–10V system to avoid damage to equipment.

Note: Configuration adjustments to the motor control board should be made through the SMALLER of the two low-voltage lids on the front of the control panel, through the low-voltage insulation/shielding.

- The 0–10 V (variable speed) inputs are available for use, but are not mandatory. The ECM system comes standard with three to five field-accessible thermostatic inputs (with adjustable speed), so the use of the 0–10 V inputs is optional.
- All inputs are independently configurable and simultaneously accessible, and the motor control board will choose the highest user (configured and

requested) speed. However, care should be taken with customer controls to avoid contention of signals.

The motor control board and adapter boards offer standard, normalizing 0–10V Variable speed fan inputs for use with field supplied controllers or thermostats. These inputs can be used as the only input to the system, used in addition to the thermostatic (H, M, L) inputs, or not used at all. The inputs are accessible via 1TB4 on the adapter boards.

The motor control board is factory configured to drive the unit to a minimum speed (catalogue "low speed" value), defined as **AIM1** and **AIM2** once the analog (0–10V) input is honored. As a default, the noise floor/threshold is set to 3 percent (0.3V). At 0.3V, the system will drive the motors to the speeds defined in defined as **AIM1** and **AIM2**. If the analogue input goes to 10V, the motor control board will drive the motor to maximum speed (normally catalogue "high speed" value), defined as **AhM1** and **ahm2**, and will change speed in response.

Although the VelociTach motor control board ships with settings that will work with most 0–10 VDC outputs, calibration should be performed to maximize response range and controller authority. Typically, the only settings needed for the VSP inputs are calibration of the signal to ensure that the system obeys the following rules:

- The minimum output from the field supplied controller is met with a positive fan response. That is, we do not want the **vflr** setting on the motor control board to be higher than the minimum output of the field supplied controller, as the motor control board will "ignore" a portion of the usable range of the customer fan variable speed output.
- The minimum output from the field supplied controller is not significantly greater than the floor setting **vflr** floor. If the minimum output of the controller is significantly greater than the floor setting, the first point that the motor will turn on will be above the **AIM1** and **AIM2** value. The full range of motor control will not be fully utilized in this case, as the motor will never reach the low speed motor analogue input scaling value for Motor 1 and Motor 2 (**AIM1** and **AIM2**)
- The maximum output of the controller needs to be 10V, or if lower, needs to be compensated using the analog input scaling value, **Aisc** to normalize the operational range. As a default, the scaling value is set to 1.00 (so a voltage of 5V will be graded as 5V); however, to compensate for long runs or lower max voltages (i.e., lower than 10.00), the scaling value can be increased accordingly to maximize operational range.
For example, if the voltage is only reaching a value of 9.0V at the adapter boards, then the **Aisc** parameter should be set to $(10/9=)$ **1.111**. If left un-calibrated, the unit will never attain maximum speeds, defined as **AhM1** and **ahm2**.

- The motor control board can accept slightly over-biased inputs up to 12 VDC, and the **Aisc** parameter can be set to a value less than 1.0 to compensate.

VSP Setup Examples

Figure 52. Example 1: **vflr** set too high and **Aisc** set too high

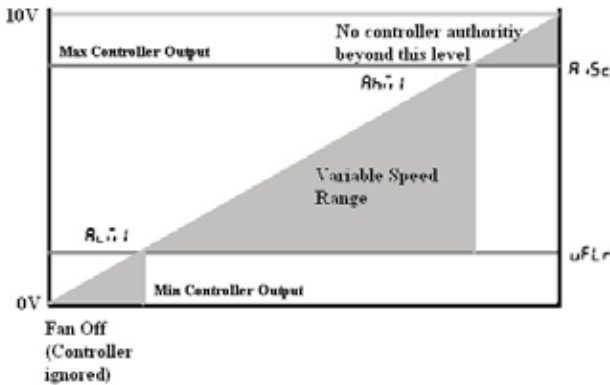


Figure 53. Example 2: **vflr** set too high but **Aisc** set correctly

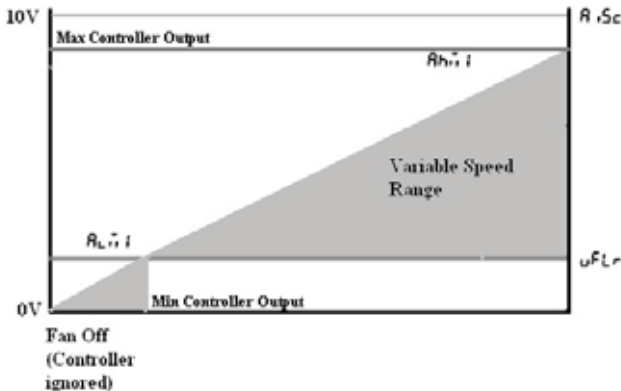
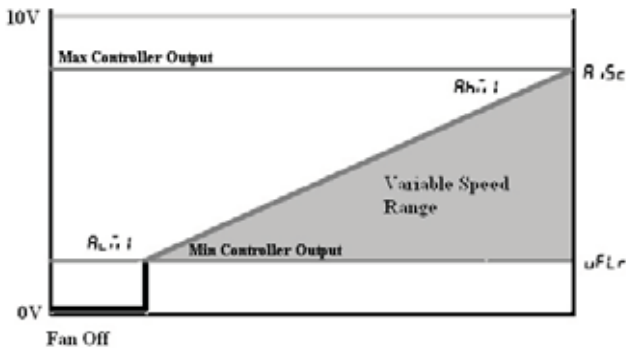


Figure 54. Example 3: **vflr** set correctly and **Aisc** set correctly



Potentiometer/Rheostat For VSP

⚠ WARNING

Hazardous Voltage w/Capacitors!

Failure to disconnect power and discharge capacitors before servicing could result in death or serious injury. Disconnect all electric power, including remote disconnects and discharge all motor start/run capacitors before servicing. Follow proper lockout/tagout procedures to ensure the power cannot be inadvertently energized. For variable frequency drives or other energy storing components provided by Trane or others, refer to the appropriate manufacturer's literature for allowable waiting periods for discharge of capacitors. Verify with an appropriate voltmeter that all capacitors have discharged.

For additional information regarding the safe discharge of capacitors, see PROD-SVB06A-EN

⚠ WARNING

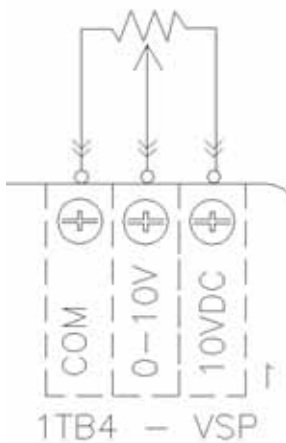
Safety Alert!

You MUST follow all recommendations below. Failure to do so could result in death or serious injury. All settings take effect immediately, including fan startup, enabling of electric heat. Caution should be taken to stay clear of hazardous voltages, moving parts and electric heat elements while making adjustments to the motor control board. If it is not practical to stay clear of these areas during adjustment of the motor control board, please contact Trane Global Parts for configuration kit that allows easy powering of the motor control board outside of the unit with a 9V battery.

A courtesy 10 VDC supply is provided that can support a 10-mA draw. The use of a 1K or a 10K potentiometer is recommended, and only a stand-alone potentiometer (not shared with any other electrical system) should be employed. When a simple potentiometer is used as depicted in Figure 55, the **vflr** setting will define a null-zone (off).

The typical connection is depicted in Figure 55; however, please consult the unit schematic for the most updated instruction, as this is provided as reference only.

Figure 55. Typical connection



Adjusting Optional Auto-Changeover Function on CSTI Units

⚠ WARNING

Hazardous Voltage w/Capacitors!

Failure to disconnect power and discharge capacitors before servicing could result in death or serious injury. Disconnect all electric power, including remote disconnects and discharge all motor start/run capacitors before servicing. Follow proper lockout/tagout procedures to ensure the power cannot be inadvertently energized. For variable frequency drives or other energy storing components provided by Trane or others, refer to the appropriate manufacturer's literature for allowable waiting periods for discharge of capacitors. Verify with an appropriate voltmeter that all capacitors have discharged.

For additional information regarding the safe discharge of capacitors, see PROD-SVB06A-EN

The motor control board provides additional temperature controlled logic to help coordinate certain electric-heat and valve logic functions:

- On units with electric heat and a changeover coil, the motor control board and adapter boards are pre-configured to cause hydronic heat and electric heat to be mutually exclusive:
 - On units with ComfortLink™ controls (Tracer® ZN controllers) or BacNet™ controls (UC400-B), the Tracer® ZN controller board will serve as the primary logic to select the electric heat only if hot water is not available, but the motor control board will service as a backup lockout.
 - On units with Customer Supplied Controllers (CSTI units), the motor control board and CSTI board will serve as the primary lockout.
- On CSTI units selected with a changeover coil configuration, the motor control board is factory

configured to work in conjunction with the CSTI adapter board to provide a useful auto-changeover function. Traditionally, a fixed setpoint bi-metallic disc temperature switch is used to provide changeover with customer controls; however, the motor control board has defeatable and configurable bi-metallic disc temperature switch emulation when combined with the CSTI adapter board. The motor control board is pre-configured for typical values, so changeover settings do not necessarily need to be changed.

Note: CSTI board does not support changeover function with modulating valves.

- An NTC thermistor is supplied and affixed to the supply pipes where applicable. The motor control board has several settings that affect the operation of the changeover function:
 - **Fprv** parameter should normally be set to **EHI** or **Ehfs** to use the changeover functions.
 - **Ehl** parameter should be chosen if the unit has a changeover coil without electric heat.
 - **EhFs** parameter should be chosen if the unit has a changeover coil with electric heat. Generally, this will perform the same as the **Ehl** parameter but in addition, will disable heating function on electric heat and on the changeover coil if there are fan failures. The auxiliary heating coil function will continue to operate and respond to the customer heating request.
 - **AiPU** parameter should be set to **In** for CSTI units and to **Out** for ComfortLink or BacNet controller units.
 - **Ai2M** parameter defines the temperature at which the motor control board will close the triac onboard the motor control board (if **Fprv** parameter is set correctly).
 - **Ai2b** parameter defines the temperature at which the motor control board will open the triac onboard the motor control board (if **Fprv** parameter is set correctly). By leaving a "gap" between the make and break value, we will simulate hysteresis of a real bi-metallic disc temperature switch.
- When combined with the CSTI adapter board, the bi-metallic disc temperature switch emulation and the electric heat lockout function will work when the switches are set correctly.

Configurations

Every Trane unit with ECM motors will have modules specifically configured at the factory for the operation of that unit. The motor control board configuration label is affixed to the low-voltage access lid on the outside of the control panel (see [Figure 45, p. 68](#) and [Figure 56, p. 76](#)). The VelociTach motor control board label may be on the back-side of the low voltage access lid, depending on the unit configuration.

ECM Overview and Setup

The serial number of each unit and the custom configuration settings specific to that unit will be printed on the label for convenient matching of labels/settings to specific units. Programming a unit with the settings from another unit will result in abnormal operation. The label contains four important sections:

- How to enter the configuration menu
- The description and meaning of the error codes
- The description and meaning of the status display
- The parameter names and values specific to that unit

Figure 56. Motor control board label

O/N: MKT264A		
Serial Number: T12C13218		
Values for this unit are shown below. Do not change values unless replacing module.		
Description	Name	Value
Mtr1 high Spd	HI 1	1076
Mtr1 Med Spd	MD 1	765
Mtr1 Low Spd	LD 1	621
EHStg1 Mtr1 Spd	E 1 1	0
EH Stg2 Mtr1 Spd	E2 1	0
AI High Spd Mtr1	AH 1	1076
AI Low Spd Mtr1	AL 1	621
Mtr2 High Spd	HI 2	0
Mtr2 Med Spd	MD 2	0
Mtr2 Low Spd	LD 2	0
EHStg1 Mtr2 Spd	E 1 2	0
EH Stg2 Mtr2 Spd	E2 2	0
AI High Spd Mtr2	AH 2	0
AI Low Spd Mtr2	AL 2	0
Mtr1 High PWM Lt	HI 1H	70.00
Mtr2 High PWM Lt	HI 2H	70.00
Fan Proving Fct	FP 0	FnSt
Ht Sens Resistor	AI PU	00E
Protect Func	AI PE	OFF

Note: This label is provided for reference only, as an example, and should not be used to configure the unit.

Motor Control Board Settings

⚠ WARNING

Safety Alert!

You **MUST** follow all recommendations below. Failure to do so could result in death or serious injury. All settings take effect immediately, including fan startup and enabling of electric heat. Caution should be taken to stay clear of hazardous voltages, moving parts and electric heat elements while making adjustments to the motor control board. If it is not practical to stay clear of these areas during adjustment of the motor control board, please contact Trane Global Parts for configuration kit that allows easy powering of the motor control board outside of the unit with a 9V battery.

⚠ CAUTION

Burn Hazard!

Failure to follow this instruction could result in the unit overheating and becoming hot to the touch, which could result in minor or moderate injury, and/or equipment damage. On electric heat units, certain parameter values are locked out to prevent overheating of the unit. These functions will appear to be saved; however, they will not be accepted if the Electric Heat Protection setting is "On". Do not change the Electric Heat Protection setting to "Off" and make changes to the protected settings unless you are programming an unconfigured service replacement board to match the unit settings on a ECM configuration label.

NOTICE:

Equipment Damage!

Do not change the PWM output voltage settings as motor damage could occur.

Note: The motor control board functions and unit specific settings are summarized on the motor control board configuration label affixed to the back side of the control panel low voltage lid, on every unit.

Table 38 lists the parameter names and typical settings of the motor control board, for reference only.

Do not change the electric heat protection settings if your unit has electric heat.

If the format setting for rpm values are not correct (i.e., not four-digit: XXXX), please check the operation mode of the motor control board **mod1** and **mod 2** and motor signal output format **SIG1** and **SIG2**.

Note: The following notes are provided for reference only, and the motor control board label must be used as the ultimate guide for setting up an motor control board on specific units.

Table 38. Configuration settings of the motor control board (for reference only)

Description on Unit Label	User Interface Name	Typical User Interface Value	Description	
Mtr 1 High Spd	Hi 1	1080	Sets the high-speed rpm for Motor 1.	Do not exceed 2300 rpm.
Mtr 1 Med Spd	md 1	777	Sets the medium-speed rpm for Motor 1.	
Mtr 1 Low Spd	lo 1	632	Sets the low-speed rpm for Motor 1.	Do not set under 600 rpm.
EHStg1 Mtr1 Spd	E1m1	0	Assigns an rpm to be associated with a call for 1 st stage electric heat, for Motor 1 (only on units equipped with electric heat).	E1M1, E1M2, E2M1, E2M2 settings are locked out on units with electric heat.
EH Stg 2 Mtr 1 Spd	E2m1	0	Assigns an rpm to be associated with a call for 2 nd stage electric heat, for Motor 1 (only on electric heat equipped units).	
AI High Spd Mtr 1	ahm1	0	Sets the maximum rpm for Motor 1 for the maximum input value of the analog input.	Analog inputs below the vFlr setting will be rejected.
AI Low Spd Mtr 1	alm1	0	Sets the minimum turn-on rpm for Motor 1, when the analog input becomes active.	
Mtr 2 Hgh Spd	Hi 2	0	Sets the high-speed rpm for Motor 2.	Blower coils have only one motor.
Mtr 2 Med Spd	Md 2	0	Sets the medium-speed rpm for Motor 2.	
Mtr 2 Low Spd	Lo 2	0	Sets the low-speed rpm for Motor 2.	
EHStg1 Mtr2 Spd	E1m2	0	Assigns an rpm to be associated with a call for 1 st stage electric heat, for Motor 2 (only on electric heat equipped units).	If the unit has only one motor, all seven speed settings for the second motor (Hi 2, Md 2, Lo 2, E1M2, E2M2, ALM2, AHM2) should be set to zero.
EH Stg 2 Mtr 2 Spd	E2m2	0	Assigns an rpm to be associated with a call for 2 nd stage electric heat, for Motor 2 (only on electric heat equipped units).	
AI High Spd Mtr 2	ahm2	0	Sets the maximum rpm for Motor 2 for the maximum input value of the analog input.	
AI Low Spd Mtr 2	alm2	0	Sets the minimum turn-on rpm for Motor 2, when the analog input becomes active.	
Op Mode Mtr 1	mod1	rpm	Sets the operational mode for Motor 1.	Must be set to rpm for blower coil units.
Op Mode Mtr 2	mod2	rpm	Sets the operational mode for Motor 2.	Must be set to rpm for blower coil units.
Mtr 1 Out Format	sig1	pwM	Sets the interface type for Motor 1.	Must be set to PWM for blower coil units.
Mtr 2 Out Format	sig2	pwM	Sets the interface type for Motor 2	Must be set to PWM for blower coil units.
Mtr 1/2 PWM Freq.	freq	100	Sets the PWM frequency, for cases when the PWM outputs are used.	On blower coil units, the PWM must not be changed.
Mtr 1 PWM Volt	M1vl	5	Sets the PWM voltage, for cases when the PWM outputs are used.	This setting must NOT be changed, as damage to the motor may occur!
Mtr 2 PWM Volt	M2vl	5	Sets the PWM voltage, for cases when the PWM outputs are used.	This setting must NOT be changed, as damage to the motor may occur!
Mt1 Hgh PWM Lt	M1hi	90	Sets the maximum output percentage that the controller will request from Motor 1.	This envelope protection value should not be altered.
Mt1 Low PWM Lt	M1Lo	14.5	Sets the minimum maximum output percentage that the controller will request from Motor 1.	This envelope protection value should not be altered.
Mt2 Hgh PWM Lt	M2hi	90	Sets the maximum output percentage that the controller will request from Motor 2.	This envelope protection value should not be altered.
Mt2 Low PWM Lt	M2Lo	14.5	Sets the minimum maximum output percentage that the controller will request from Motor 2.	This envelope protection value should not be altered.
Mt1 Ovspd RPM	rpm1	2500	Selects the rpm above which the Motor 1 will be assumed to be in an overspeed condition and will need to be shut down.	This envelope protection value should not be altered.
Mt2 Ovspd RPM	rpm2	2500	Selects the rpm above which the Motor 2 will be assumed to be in an overspeed condition and will need to be shut down.	This envelope protection value should not be altered.
Fan Proving Fct	FPrv	Fnst	Selects which mode should be assigned to the Binary output circuit, depending on unit type.	This setting has to be correct for proper unit operation of electric heat and changeover units.



ECM Overview and Setup

Table 38. Configuration settings of the motor control board (for reference only) (continued)

Description on Unit Label	User Interface Name	Typical User Interface Value	Description
AI Boost Amp	AiSc	1	Boosts or attenuates the analog input signal to compensate for long wire runs. A value of 1 should be used if no voltage level compensation is needed (i.e., voltage peak is at 10 VDC).
AI Floor	vFlr	0.5	Rejects noise on the analog input lines and sets up the motor control board to turn on if the thermostat or controller is commanding its analog outputs on.
PulsePerRev	Fdbk	18	Sets up the tachometer function to be compatible with the on-board motor and for correct speed calculation and calibration. Do not change this setting as this is critical to proper unit operation.
P Value Mtr 1	pvl1	0.03	Sets up the on board closed loop control to control Motor 1 with proper stability. Do not change this setting.
I Value Mtr 1	ivl1	0.03	Sets up the on board closed loop control to control Motor 1 with proper stability. Do not change this setting.
P Value Mtr 2	pvl2	0.03	Sets up the on board closed loop control to control Motor 2 with proper stability. Do not change this setting.
I Value Mtr 2	ivl2	0.03	Sets up the on board closed loop control to control Motor 2 with proper stability. Do not change this setting.
Ht Sens Mk Val F	Ai2m	85	Sets the make value for the motor control board triac output based on the thermistor input. Operation also depends on Fprv, Ai2B, and Aipu settings.
Ht Sens Bk Val F	Ai2b	90	Sets the break value for the motor control board triac output based on the thermistor input. Operation also depends on Fprv, Ai2m, and Aipu settings.
Ht Sens Resistor	AiPu	out	Sets the input impedance of the thermistor input. Should be pre-set to "OUT" for Tracer® ZN controllers.
Mt 1 Ramp %/sec	M1rp	3	Sets the ramp rate for Motor 1, in % per second.
Mt 2 Ramp %/sec	m2rp	3	Sets the ramp rate for Motor 2, in % per second.
EH Ramp Accel	Ehrp	2	Sets the acceleration factor for the electric heat inputs. Is used to force faster ramps when electric heat is requested.
Ramp MAX Time	Mhrp	15	Sets the maximum ramp time for both Motor 1 and Motor 2 (in seconds). Overrides the ramp rates M1rp and M2rp if the calculated ramp time exceeds Mhrp .
EH Fan off delay	EHdl	15	Selects how long the fan needs to stay on after an electric heat request has been turned off. Not used on fan-coil unit.
Lck Rtr Protect	Lrpt	on	Selects whether to use the on-board locked rotor protection function. This will shut down the affected motor, if rotational response is not detected.
Protect Funct	Ehpt	on	This function protects settings on the board that affect the safety of the electric heat system. Do NOT change this setting. This setting locks out the following parameters from being changed, for safe operation of the unit. AiPU FPrv AiMK AiBK E1M1 E1M2 E2M1 E2M2 Sig Mod1 Mod2 M1Hi M1Lo
Rmp dft (auto rst)	rpdf	off	This function shortens the ramps for faster unit commissioning and auto-resets to off after approximately 15 minutes of power-on operation. To aid in commissioning of the unit, for approximately 10–15 minutes, the ramps will be shortened to quickly observe proper unit behavior and response to speeds.
Soft Rev	soft	vx.xx	Displays the software version. Module should be received with most recent version.

Fan Speed Response Verification

1. After performing controller specific commissioning, observe the display on the motor control board with the power on, to the unit. The motor control board display should display a looping status indicator as follows:

Mtr1 → 0 → Mtr2 → 0 → FSt1 → Off → Fst2 → Off → EhEn → On

Notes:

- The **EhEn** indicator is unit-specific and may indicate "Off" at this point; refer to thermistor function for more information.
- A representative fan speed of "1080" rpm are shown in the example below. Each unit is factory-configured differently and will have different settings for different fan speeds.

2. While the unit remains on, exercise the fan controls on the unit, either directly or indirectly through request for unit heat/cool. Observe the fan spinning, and then observe the fan display on the motor control board. It should display a looping status indicator as follows:

For a size 200, 300, 400, 600, or 800 unit (using typical unit operating fan speeds):

Mtr1 → 1080 → Mtr2 → 0 → FSt1 → On → Fst2 → Off → EhEn → On

For a size 1000 or 1200 unit (using typical unit operating fan speeds):

Mtr1 → 1080 → Mtr2 → 1080 → FSt1 → On → Fst2 → on → EhEn → On

Note: The **EhEn** indicator is unit-specific and may indicate "Off" at this point; refer to thermistor function for more information.

3. **OPTIONAL:**

While the fan is running, if practical, change the fan speeds and observe the display temporarily indicate: **ramp**

Exercise all fan speeds to ensure positive unit response and to validate any field wiring.



Installation - Controls

Control Options

Available control options are:

- Fan speed control (provided when no control package is selected)
- Customer-supplied terminal interface (CSTI)
- Tracer® ZN010 controller

- Tracer® ZN510 controller
- Tracer® ZN520 controller
- Tracer® UC400-B controller with Air-Fi® Wireless Communications Interface

Fan Speed Control with Standard Adapter Board

Figure 57. Fan speed control



The fan speed control is available for units that do not have Trane factory-mounted control packages. This variable fan speed option is low-voltage and has three 24-volt relays using a factory-wired transformer and relays to control the fan motor.

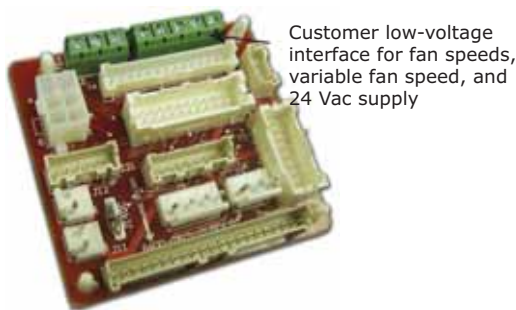
The adapter allows direct customer interfacing through the use of terminal strips. Standard interfacing includes:

Variable speed (0–10V) inputs.

The standard adapter board eliminates many separate wiring harnesses in the panel and allows simple, mistake-proofed single-plug interfacing of:

- VelociTach motor control board
- Transformers
- Motors
- Valves
- Dampers
- Electric heat control
- Fan speed control

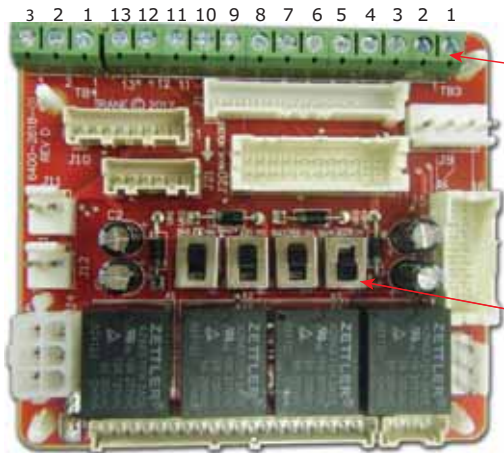
Figure 58. Standard adapter board



Customer Supplied Terminal Interface (CSTI)

The control interface is intended to be used with a field-supplied, low-voltage thermostat or controller. The control box contains a relay board which includes a line voltage to 24-volt transformer, quiet contactors (for electric heat units), and an optional disconnect switch. All end devices are wired to a low-voltage terminal block and are run-tested, so the only a power connection and thermostat connection is needed to commission the unit. Entering water temperature sensors and controls are provided whenever a change-over coil is selected. When N.O. valves are selected, inverting relays are provided for use with standard thermostats.

Figure 59. CSTI adapter board and field connections



Customer low-voltage interface for fan speeds, variable fan speed, and 24 Vac supply, valve control, EH control, damper control, condensate overflow status

Valve(s), electric heat, and changeover configuration switches (factory-set)

- | | |
|-----|----------------------|
| 1. | VSP 10V |
| 2. | VSP 0-10V |
| 3. | VSP DC COM |
| 1. | 24 Vac B (hot) |
| 2. | 24 Vac Y (gnd) |
| 3. | High |
| 4. | Medium |
| 5. | Low |
| 6. | V1Op/Cooling |
| 7. | V1Cl (not std) |
| 8. | Not used |
| 9. | Not used |
| 10. | V2Op/EH1St/Heating |
| 11. | V2Cl/EH2St (not std) |
| 12. | Damper Open |
| 13. | Dmp Cl (not std) |

The CSTI adapter board provides all the hookups as the standard adapter board, but in addition, provides hookups for valve control (main and auxiliary coils), electric heat control, and damper control. Screw terminal blocks provide convenient access to fan controls and to end device control. In addition, a courtesy 10 VDC supply is provided for use with an external potentiometer or rheostat. The 10 VDC supply supports up to 10 mA draw.

TB3 (right 13 positions) is normally used to provide:

- 24 Vac supply to a wall fan speed switch or
- 24 Vac supply to a field-installed unit-mounted controller, or a wall-mounted controller or thermostat
- Inputs (returns) for thermostatic fan control: High, Medium, and Low
- Inputs (returns) for cooling/heating requests
- Inputs (returns) for electric heat requests
- Inputs (returns) for damper operation requests

TB4 (left three positions) is normally used to control the system with a 0-10 VDC input from a thermostat/controller with a variable speed output, or a fan control rheostat.

The terminal block functional assignments and polarity are shown for reference only, and the schematics that ship with each unit should be consulted before wiring. Wiring assignments are configured for each unit.

CSTI Adapter Board Configuration

⚠ CAUTION

Burn Hazard!

Failure to follow this instruction could result in the unit overheating and becoming hot to the touch, which could result in minor or moderate injury, and/or equipment damage. If SW4 is turned off, the factory/customer controller/thermostat will be able to actuate the electric heat while hot water is available or if the fans have failed. This switch should NOT be turned off if the unit schematic indicates that it should be on, to prevent overheating of the unit (due to simultaneous electric heat and hydronic heat actuation, or failure of the fan) and to use the preferred hydronic heating over electric heat.

For CSTI units, the board mounted switches have to be set appropriately to enable the desired functionality.

Figure 60. CSTI board-mounted switches



Table 39. CSTI adapter board: switch functions

Switch (L-R)	SW1	SW2	SW3	SW4
Function	Valve one operation logic	Valve two operation logic	Changeover Function	Electric Heat / Fan Proving Function
UP position (towards terminal strip)	Normally Open Valve	Normally Open Valve	Changeover Function ON	Electric Heat / Fan Proving Function
DOWN position (towards black relays)	Normally Closed Valve	Normally Closed Valve	Changeover Function OFF	Electric Heat / Fan Proving Function

- All switches are factory-set based on customer configuration of the unit model number. The unit will function correctly as shipped; however, the switch functions and positions are depicted for customer convenience and for service and troubleshooting aids.
- SW3 and SW4 work in conjunction with settings on the motor control board controller. Simple activation of changeover and electric heat lockout function may not work correctly unless the motor control board is configured to perform these functions.
- Customers are advised to locate the changeover coil temperature sensor on the bypass line if possible, to avoid measuring standing water temperature.
- If a 4-pipe unit with changeover function is selected, the heating input will drive the main coil if hot water is detected, but will always drive the auxiliary coil or electric heat (where available).
- Where electric heat is available with a changeover coil, the electric heat is factory-configured to be deactivated if there is hot water available and if there is a fan failure.

The CSTI board comes with courtesy valve inversion relays that allow both normally open and normally closed two-position valves to be used with simple thermostats that do not have the configurability to adapt to the customer choice of valves. Independent switches, SW1 and SW2, are provided for 2-pipe or 4-pipe units, or 2-pipe units with an optional reheat coil. The functions of SW1 and SW2 is downstream of the changeover function (SW3 and motor control board). Decisions made by the changeover circuits will be flowed to the inversion circuits, if they are selected.

SW3 enables or disables the changeover function for 2-pipe changeover coil units, or 4-pipe units where the coil has both a heating/cooling circuit and a heating circuit piped internally. If SW3 is turned off, the changeover function will be disabled, and the unit will then be configured as a cooling only coil, a heating only coil, or a combination of cooling only/heating only coil. Thus, customer cooling requests will drive the main valve, and heating requests will drive the auxiliary valve.

The changeover function is designed to work with customer controllers that request heating or cooling (based on customer request), but have coil water temperatures that are "changed over" from heating to cooling (or cooling to heating) depending on the season and the building equipment available. Customer thermostats MUST be hooked to the correct terminal strip locations (V1 and V2) for the changeover function to work.

Cooling

In general, the (CSTI) changeover function will provide cooling if:

- A unit is factory configured with a changeover coil (cooling/heating) as the only coil or as the main coil portion.
- SW3 on the CSTI adapter board is turned on, and the **Fprv** parameter set to **Eh1** or **Ehfs** to use the changeover functions.
 - **Eh1** parameter should be chosen if the unit has a changeover coil without electric heat.
 - **Ehfs** parameter should be chosen if the unit has a changeover coil with electric heat. Generally, this will perform the same as the **Eh1** parameter but will in addition, disable the heating function on electric heat and on the changeover coil heat if there are fan failures. The auxiliary heating coil valve will continue to respond to customer heating requests.
- The motor control board has sensed that there is cold water available on the supply/bypass line for the changeover coil. In this case, "cold" water is inferred by the motor control board if:
 - A 10K NTC thermistor (similar to Trane part number X13790374010) is wired properly to the motor control board, through the crossover cables and CSTI adapter boards.
 - The input impedance of the thermistor circuit must be set correctly (the **Aipu** parameter should be set to **in** for CSTI units).
 - The temperature sensed is lower than the **Ai2M** parameter.
 - The **Ai2b** parameter is higher than the **Ai2M** parameter.
 - The temperature is not in the dead-band between the **Ai2b** parameter and the **Ai2M** parameter (in this case, previous state will be retained).
- The customer thermostat is properly hooked up the input strip 1TB3, and is requesting cooling input (V1) based on the customer cooling setpoint being lower than the space temperature.

Heating

In general, the (CSTI) changeover function will provide heating if:

- A unit is factory-configured with a changeover coil (cooling/heating) as the only coil or as the main coil portion.
- SW3 on the CSTI adapter board is turned on, and the **Fprv** parameter set to **EHI** or **Ehfs** to use the changeover functions.
 - **Ehl** parameter should be chosen if the unit has a changeover coil without electric heat.
 - **Ehfs** parameter should be chosen if the unit has a changeover coil with electric heat. Generally, this will perform the same as the **Ehl** parameter but will in addition, disable the heating function on electric heat and on the changeover coil heat if there are fan failures. The auxiliary heating coil valve will continue to respond to customer heating requests.
- The motor control board has sensed that there is hot water available on the supply/bypass line for the changeover coil. In this case, “hot” water is determined if:
 - A 10K NTC thermistor (similar to Trane part number X13790374010) is wired properly to the motor control board, through the crossover cables and CSTI adapter boards.
 - The input impedance of the thermistor circuit must be set correctly (the **Aipu** parameter should be set to **in** for CSTI units).
 - The temperature sensed is higher than the **Ai2b** parameter.
 - The **Ai2b** parameter is higher than the **Ai2M** parameter.
 - a. The temperature is not in the dead-band between the **Ai2b** parameter and the **Ai2M** parameter (in this case, previous state will be retained).
- The customer thermostat is properly hooked up the input strip 1TB3, and is requesting heating input (V2) based on the customer heating set point being higher than the space temperature.
- The heating input on 1TB3 will drive the main changeover coil IF conditions 1–4 are satisfied, but will always drive the auxiliary coil valve (if present). Electric heat will be locked out (where present) if hot water is available since SW4 will be factory set to “ON” in these units.

SW4 selects the electric heat lockout function, where we will lock out the electric heat circuit based on either:

- The presence of hot water in the changeover coil section (if the **Fprv** parameter is set to **EHI**).
- Abnormal behavior of the fan/s (if the **Fprv** parameter is set to **FnSt**).
- Or a combination of both the presence of hot water or abnormal behavior of the fan/s (if the **Fprv** parameter is set to **EHfs**).
- The preceding three examples depend on the inference of the motor control board that hot water is present. In this case, “hot” water is determined if:
 - The temperature sensed is higher than the **Ai2b** parameter.
 - The **Ai2b** parameter is higher than the **Ai2M** parameter.
 - The temperature is not in the dead-band between the **Ai2b** parameter and the **Ai2M** parameter (in this case, previous state will be retained).
 - The input impedance of the thermistor circuit must be set correctly (the **Aipu** parameter should be set to **in** for CSTI units).



Installation - Controllers

Tracer® ZN010 and ZN510 Controllers

Figure 61. Tracer® ZN010 control board



Tracer® ZN010 controller is a stand-alone microprocessor controller.

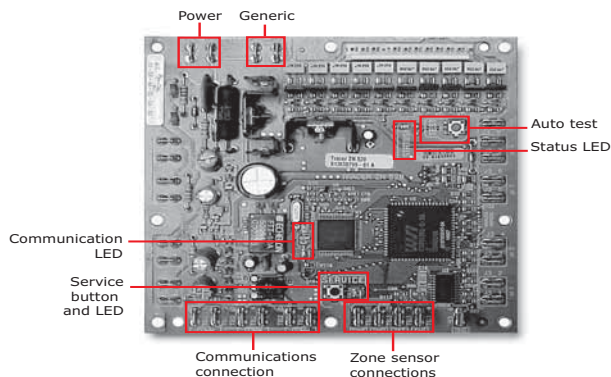
Figure 62. Tracer® ZN510 control board



Tracer® ZN510 controller can be used as either a stand-alone or communicating microprocessor controller.

Tracer® ZN520 Controller

Figure 63. Tracer® ZN520 control board



The Tracer® ZN520 controller is a factory-installed, -tested and -commissioned LonTalk® control designed to provide control of Trane products. The discrete speed controller can also be used in a stand-alone application. Features include:

- Automatic fan-speed reset
- Automatic ventilation reset
- Active dehumidification
- Manual output test
- Filter maintenance
- Master slave
- Water valve override
- Freeze avoidance
- Interoperability

Three generic I/O ports

The Tracer® ZN520 controller is designed to be used in the following applications:

- As part of a Tracer® SC or Tracer® Summit® building automation system (BAS), the Tracer® ZN520 becomes an important part of the Tracer® control system.
- The Tracer® ZN520 can function as a completely stand-alone controller in situations where a BAS is not present.
- For situations when a non-Trane BAS is present, the Tracer® ZN520 can be used as an inter-operable unit controller.

ZN510 and ZN520 Controllers

Tracer® ZN510 and ZN520 controllers are LonTalk® devices that interface with the Tracer® SC or Tracer® Summit building automation system (BAS). Reference the unit wiring diagram or submittals.

Ground shields at each Tracer® ZN510 and ZN520, taping the opposite end of each shield to prevent any connection between the shield and another ground.

Note: For more detailed information, refer to:

- CNT-SVX04A-EN Tracer® ZN520 Unit Controller: *Installation, Operation and Programming Guide* for the communication wiring diagram

Communication Wire Specifications

Communication wire must conform to the following specification:

- Shielded twisted pair 18 AWG
- Capacitance 23 (21–25) picofarads (pF) per foot
- Listing/Rating—300 V 150C NEC 725-2 (b) Class 2 Type CL2P
- Trane Part No. 400-20-28 or equivalent, available through Trane BAS Buying Group Accessories catalog.

Note: Communication link wiring is a shielded, twisted pair of wire and must comply with applicable electrical codes.

Controller communication-link wiring must be low capacitance, 18-gauge, shielded, twisted pair with stranded, tinned-copper conductors. For daisy chain configurations, limit the wire run length to 5,000 ft. Trunk and branch configurations are significantly shorter. LonTalk wire length limitations can be extended through the use of a link repeater.

General Wiring Guidelines

Follow these general guidelines when installing communication wiring on units with a Tracer® ZN510 or ZN520 controller:

- Maintain a maximum 5000 ft. aggregate run.
- Install all communication wiring in accordance with the NEC and all local codes.
- Solder the conductors and insulate (tape) the joint sufficiently when splicing communication wire. Do not use wire nuts to make the splice.
- Do not pass communication wiring between buildings because the unit will assume different ground potentials.
- Do not run power in the same conduit or wire bundle with communication link wiring.

Note: You do not need to observe polarity for LonTalk communication links.

Recommended Wiring Practices

The following guidelines should be followed while installing communication wire.

- LonTalk is not polarity sensitive. Trane recommends that the installer keep polarity consistent throughout the site.
- Only strip away two inches maximum of the outer conductor of shielded cable.
- Make sure that the 24 Vac power supplies are consistent in how they are grounded. Avoid sharing 24 Vac between LonTalk UCMs.
- Avoid over-tightening cable ties and other forms of cable wraps. A tight tie or wrap could damage the wires inside the cable.
- Do not run LonTalk cable alongside or in the same conduit as 24 Vac power.
- In an open plenum, avoid lighting ballasts, especially those using 277 Vac.
- Do not use a trunk and branch configuration, if possible. Trunk and branch configurations shorten the distance cable can be run.

Device Addressing

LonTalk devices are given a unique address by the manufacturer. This address is called a Neuron ID. Each Tracer® ZN510 and ZN520 controller can be identified by its unique Neuron ID, which is printed on a label on the controller's logic board. The Neuron ID is also displayed when communication is established using Tracer® Summit or Rover service tool. The Neuron ID format is 00-01-64-1C-2B-00.

Tracer® UC400-B Controller



The Tracer® UC400-B single-zone VAV controller can be used in a stand-alone application or as part of a Tracer® control system.

In the stand-alone configuration, Tracer® UC400-B receives operation commands from the zone sensor and/or the entering water temperature sensor (on auto changeover units). The reading from the entering water temperature sensor and determines if the unit is capable

Installation - Controllers

of cooling or heating. The zone sensor module is capable of transmitting the following information to the controller:

- Timed override on/cancel request
- Zone setpoint
- Current zone temperature
- Fan mode selection (off-auto-high-med-low)

For optimal system performance, units can operate as part of a Tracer® SC building automation system. The controller is linked directly to the Tracer® SC via a twisted pair communication wire, requiring no additional interface device (i.e., a command unit). The Tracer® control system can monitor or override Tracer® UC400-B control points. This includes such points as temperature and output positions.

Note: For more detailed information, refer to:

- BAS-SVX20C-EN *Tracer® UC400-B Programmable Controller Installation, Operation, and Maintenance manual*

Communication Wire Specifications

All wiring must comply with the National Electrical Code (NEC™) and local electrical codes.

Field-supplied BACnet MS/TP link wiring must be installed in compliance with NEC and local codes. The wire must be low-capacitance, 18-gauge, stranded, tinned-copper, shielded, twisted-pair.

Note: For more details, refer to Wiring Guide: Unit Controller Wiring for the Tracer® SC™ System Controller (BAS-SVN03D-EN, or the most recent revision).

General Wiring Guidelines

Figure 64. Connecting wires to terminal



To connect wires to the UC400-B controller or the expansion modules:

1. Strip the wires to expose 0.28 inch (7 mm) of bare wire.
2. Insert the wire into a terminal connector.
3. Tighten the terminal screw to 0.5 to 0.6 N-m (71 to 85 ozf-in or 4.4 to 5.3 lbf-in.).

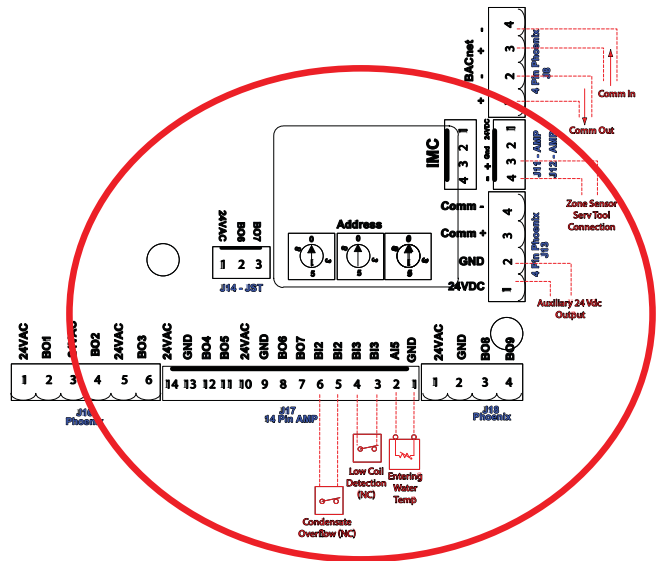
4. Tug on the wires after tightening the screws to ensure all wires are secure as shown on the right.

Setting the Address

The rotary address dials on the UC400-B controller serve one or two purposes depending upon the network: they are always used for the MAC Address, which is sometimes all or part of the BACnet Device ID.

Use a 1/8 inch (3.2 mm) flathead screwdriver to set rotary address dials. Dials rotate in either direction.

Figure 65. Setting rotary address dials



MAC Address

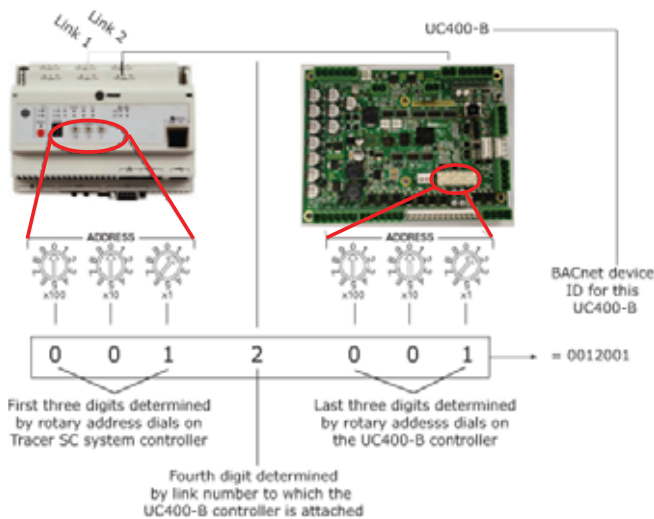
The MAC Address is required by the RS-485 communication protocol on which BACnet operates. A UC400-B controller can use a MAC Address from 001 to 120.

Important: Each device on the link must have a unique MAC Address/Device ID. The controller rotary addresses should be sequentially set, with no gaps in the numbering, starting with 001 on each link (for example 001, 002, 003, 004 and so on). A duplicate address or a 000 address setting will interrupt communications and cause the Tracer® SC device installation process to fail.

BACnet Device ID

The BACnet Device ID is required by the BACnet network. Each device must have a unique number from 001 to 4094302.

Figure 66. BACnet device ID



BACnet networks without a Tracer® SC system controller

On BACnet networks without a Tracer® SC system controller, the Device ID can be assigned one of two ways:

- It can be the same number as the MAC Address, determined by the rotary address dials on the UC400-B controller. For example, if the rotary address dials are set to 042, both the MAC Address and the BACnet Device ID are 042.
- It can be soft set using the Tracer® TU service tool. If the BACnet Device ID is set using the Tracer® TU service tool, the rotary address dials *only* affect the MAC Address, they do not affect the BACnet Device ID.

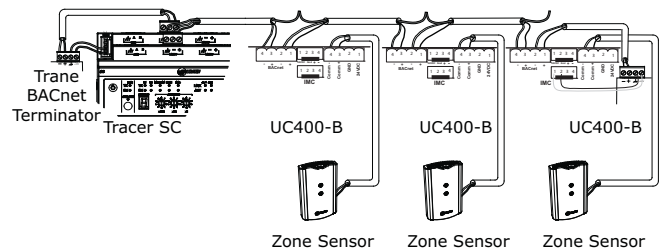
BACnet networks with a Tracer® SC system controller

On BACnet networks with a Tracer® SC system controller, the Device ID for the UC400-B controller is always soft set by the system controller using the following scheme illustrated below.

Note: The BACnet Device ID is displayed as the Software Device ID on the Tracer® TU Controller Settings page in the Protocol group.

Figure 67 shows an example of BACnet link wiring with multiple UC400-B controllers.

Figure 67. Example of BACnet link wiring with multiple UC400-B controllers



Power Supply

Please read all of the warnings, cautions, and notices below before proceeding with this section.

⚠ WARNING

Hazardous Voltage!

Failure to disconnect power before servicing could result in death or serious injury. Disconnect all electric power, including remote disconnects before servicing. Follow proper lockout/tagout procedures to ensure the power can not be inadvertently energized.

⚠ CAUTION

Personal Injury and Equipment Damage!

After installation, make sure to check that the 24 Vac transformer is grounded through the controller. Failure to check could result in personal injury and/or damage to equipment. Measure the voltage between chassis ground and any ground terminal on the UC400-B controller. Expected result: Vac \leq 4.0 V

NOTICE:

Avoid Equipment Damage!

Sharing 24 Vac power between controllers could cause equipment damage.

A separate transformer is recommended for each UC400-B controller. The line input to the transformer must be equipped with a circuit breaker sized to handle the maximum transformer line current.

If a single transformer is shared by multiple UC400-B controllers:

- The transformer must have sufficient capacity.
- Polarity must be maintained for every UC400-B controller powered by the transformer.

Important: If the polarity is inadvertently reversed between two controllers powered by the same transformer, a difference of 24Vac will occur between the grounds of each controller, which can result in:

- Partial or full loss of communication on the entire BACnet MS/TP link
- Improper function of the UC400-B controller outputs
- Damage to the transformer or a blown transformer fuse

Transformer Recommendations

A 24Vac power supply must be used for proper operation of the binary inputs, which requires 24Vac detection. In addition, the spare 24Vac outputs may be used to power relays and TRIACS.

- AC transformer requirements: *UL listed, Class 2 power transformer, 24Vac ±15%, device max load 24VA. The transformer must be sized to provide adequate power to the controller (12VA) and outputs (maximum 12VA per binary output).*
- CE-compliant installations: *The transformer must be CE marked and SELV compliant per IEC standards.*

Wiring Requirements

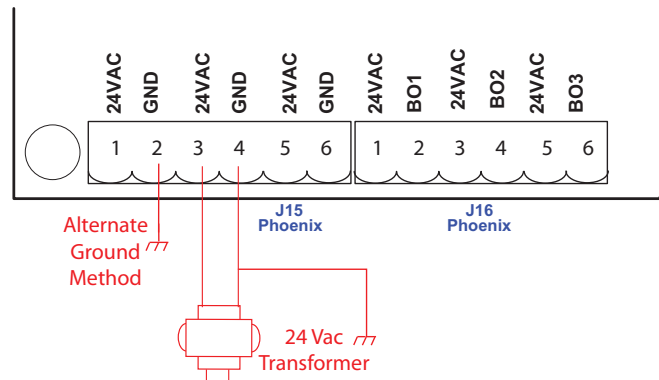
To ensure proper operation of the UC400-B controller, install the power supply circuit in accordance with the following guidelines:

- A dedicated power circuit disconnect switch must be near the controller, easily accessible by the operator, and marked as the *disconnecting device* for the controller.
- 18 AWG (0.823 mm²) copper wire is recommended for the circuit between the transformer and the controller.

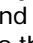
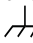
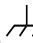
Important: The controller must receive AC power from a dedicated power circuit; failure to comply may cause the controller to malfunction. DO NOT run AC power wires in the same wire bundle with input/output wires; failure to comply may cause the controller to malfunction due to electrical noise.

Connecting Wires

Figure 68. Grounding the controller



To connect the wires:

1. Disconnect power to the transformer.
2. Connect the 24Vac secondary wires from the transformer to the 24Vac and  terminals on the UC400-B controller (refer to the illustration below).
3. Do one of the following to ensure the controller is adequately grounded:
 - Connect a grounding pigtail at some point along the secondary wire that runs between the controller  terminal and the transformer.
 - Ground one of the  terminals on the controller to the enclosure (if the enclosure is adequately grounded) or to an alternate earth ground.

Note: A pigtail connection may be necessary between earth ground and/or enclosure ground if the device is not grounded through one leg of the transformer wiring.

Power ON Check

To perform a Power ON check:

1. Verify that the 24Vac connector and the chassis ground are properly wired.
2. Remove the lockout/tagout from the line voltage power to the electrical cabinet.
3. Energize the transformer to apply power to the UC400-B controller.
4. Observe the UC400-B controller when power is applied to verify the power check sequence as follows:
 - a. The power LED lights red for 1 second
 - b. The power LED lights green
 - If the sequence above is completed as described, the controller is properly booted and ready for the application code.

If the power LED flashes red, a fault condition exists.

Air-Fi® Wireless Communications System

For more detailed information on Air-Fi® Wireless Communications system and devices, see:

- BAS-SVX40*: *Air-Fi® Wireless Installation, Operation, and Maintenance*
- BAS-PRD021*-EN: *Air-Fi® Wireless Product Data Sheet*
- BAS-SVX55*: *Air-Fi® Wireless Network Design*

Air-Fi® Wireless Communications Interface (WCI)



A factory-installed Air-Fi® Wireless Communications Interface (WCI) provides wireless communication between the Tracer® SC and Tracer® unit controllers. The Air-Fi® WCI is the perfect alternative to a Trane BACnet® wired communication link. Eliminating the communication wire between terminal products, space sensors, and system controllers has substantial benefits:

- Reduced installation time and associated risks.
- Completion of projects with fewer disruptions.
- Easier and more cost-effective re-configurations, expansions, and upgrades

Air-Fi® Wireless Communications Sensor (WCS)



Communicates wirelessly to a Tracer® unit controller. A WCS is an alternative to a wired sensor when access and

routing of communication cable are issues. A WCS allows flexible mounting and relocation.

Wireless Zone Sensor (WZS) Set



A wireless zone sensor (WZS) set (sensor and receiver) communicates wirelessly to a Tracer® unit controller. A wireless zone sensor set is an alternative to a wired sensor when access and routing of communication cable are issues. The sensor allows flexible mounting and relocation.

Note: A wireless zone sensor set is not compatible with an Air-Fi® wireless system.

The Wireless Comm Interface (WCI) enables wireless communication between system controls, unit controls, and wireless sensors for the new generation of Trane control products. The WCI replaces the need for communication wire in all system applications.

Note: For more detailed information, refer to:

- BAS-SVX40A-EN - *Wireless Comm Installation, Operation and Maintenance manual*
- BAS-SVX55A-EN - *Wireless Comm Network Design Best Practices Guide*

Quantity of WCIs per Network

Each Trane wireless network can have a total of 31 WCIs (30 member WCIs plus one coordinator WCI). Each network requires one WCI to function as network coordinator.

Quantity of Networks per Tracer® SC

A Tracer® SC can support up to eight wireless networks.

Automatic Network Formation

When a WCI is connected to a Tracer® SC, it is auto-assigned as the coordinator. To enable the coordinator, Tracer® SC must be configured for wireless communication. The coordinator WCI opens the network to allow all WCIs having matching addresses to automatically join the network. If no Tracer® SC is present, a centrally located WCI must be designated to act as the coordinator. You can manually set the coordinator WCI so



Installation - Controllers

all WCIs having matching addresses automatically join the network.

Wireless Zone Sensors

The WCI also communicates with Trane wireless zone sensors, eliminating the need for analog receivers.

Wired Zone Sensors

Systems using WCI can also use wired zone sensors.

Specifications

Operating Temperature: -40 to 158°F (-40 to 70°C)

Storage temperature: -40 to 185°F (-40 to 85°C)

Storage and operating humidity range: 5 percent to 95 percent relative humidity (RH), non-condensing

Voltage: 24 Vac/VDC nominal \pm 10 percent. If using 24 Vac, polarity must be maintained.

Receiver power consumption: <2.5 VA

Housing material: Polycarbonate/ABS (suitable for plenum mounting), UV protected, UL 94: 5VA flammability rating

Mounting: Snaps into sheet metal opening.

Range: Open range: 2,500 ft (762 m) with packet error rate of 2 percent.

Indoor: Typical range is 200 ft (61 m); actual range is dependent on the environment. See BAS-SVX55-EN for more detail.

Note: Range values are estimated transmission distances for satisfactory operation. Actual distance is job specific and must be determined during site evaluation. Placement of WCI is critical to proper system operation. In most general office space installations, distance is not the limiting factor for proper signal quality. Signal quality is affected by walls, barriers, and general clutter. For more information see available at www.trane.com.

Output power: North America: 100 mW

Radio frequency: 2.4 GHz (IEEE Std 802.15.4-2003 compliant) (2405–2480 MHz, 5 MHz spacing)

Radio channels: 16

Address range: Group 0–8, Network 1–9

Mounting

Fits a standard 2 in. by 4 in. junction box (vertical mount only). Mounting holes are spaced 3.2 in. (83 mm) apart on vertical center line. Includes mounting screws for junction box or wall anchors for sheet-rock walls. Overall dimensions: 2.9 in. (74 mm) by 4.7 in. (119 mm)

Wireless protocol

ZigBee PRO—ZigBee Building Automation Profile, ANSI/ASHRAE Standard 135-2008 Addendum q (BACnet™/ZigBee)

Zone Sensor Options

Control sensor options include both unit-mounted (factory-installed) and wall-mounted sensors. Tracer® controller options available for the zone sensors are:




- Tracer® ZN010 is a stand-alone microprocessor controller that controls fan coils and cabinet heaters.
- Tracer® ZN510 is a discrete speed controller that can be used in a stand-alone application or can communicate with a building automation system using LonTalk® Communication
- Tracer® ZN520 is a discrete speed controller that can be used in a stand-alone application or can

communicate with a building automation system using LonTalk Communication


- Tracer® UC400-B delivers single zone VAV control in a stand-alone operation or as part of a building automation system using BACnet® communications

Zone sensors have an internal thermistor and operate on 24 Vac. Options with setpoint knobs are available in Fahrenheit or Celsius. See [Figure 69](#) through [Figure 79](#) for available options and model number references.






ZN010 Controller Options

<p>Figure 69. Unit-mounted temperature sensor (SP, OALMH)</p>	<p>Figure 70. Wall-mounted temperature sensor (SP, OALMH)</p>	<p>Figure 71. Split-mounted zone sensor, unit-mounted fan speed control, and wall-mounted setpoint dial</p>
		

ZN510, ZN520, UC400-B Controller Options

<p>Figure 72. Unit-mounted temperature sensor (SP, OALMH, OCC/UNOCC)</p>	<p>Figure 73. Wall-mounted display temperature sensor (SP, OCC/UNOCC, OALMH, COMM)</p>	<p>Figure 74. Wall-mounted temperature (OCC/UNOCC, COMM)</p>
		

Zone Sensor Options

<p>Figure 75. Wall-mounted temperature sensor (SP, OCC/UNOCC, OALMH, COMM)</p>	<p>Figure 76. Split-mounted zone sensor, unit-mounted fan speed control, wall-mounted temperature sensor (SP, OCC/UNOCC, COMM)</p>	<p>Figure 77. Wall-mounted wireless zone sensor (WZS) with setpoint adjustment, (OCC/UNOCC) no fan speed adjustment, and unit-mounted receiver</p>
		
<p>Figure 78. Wall-mounted wireless display sensor (WDS) and unit-mounted receiver</p>	<p>Figure 79. Air-Fi® Wireless Communications Sensor (WCS)</p>	
		

Zone Sensor Installation

Location Considerations

When selecting a location for the zone sensor, avoid the following:

- Dead spots, such as behind doors, projection screens, or in corners that do not allow free air circulation.
- Air drafts from stairwells, outside doors, or unsectioned hollow walls.
- Airflow from adjacent zones or other units.
- Unheated or uncooled spaces behind the controller, such as outside walls or unoccupied spaces.
- Concealed pipes, air ducts, or chimneys in partition spaces behind the controller.
- Areas in the direct airstream of air diffusers
- Exterior walls and other walls that have a temperature differential between the two sides
- Areas that are close to heat sources such as sunlight, appliances, concealed pipes, chimneys, or other heat-generating equipment

- Walls that are subject to high vibration
- Areas with high humidity
- High traffic areas (to reduce accidental damage or tampering)
- Metal barriers between the receiver and the sensor (for example, plastered walls with metal lathe or metal roof decks)
- Thick, solid concrete walls between the receiver and the sensor

Location Considerations for Wireless Zone Sensors

Placement of the sensor is critical to proper operation (the receiver is factory mounted). For most installations, barriers limit proper radio signal strength more than distance. For best radio transmission range and reliability, mount the receiver and sensor in line of sight. Where this is not possible, try to minimize the number of barriers between the pair of devices. In general, sheetrock walls and ceiling tiles offer little restriction to the transmission range for the sensor is as follows:

- Open range: 2,500 ft (packet error rate = 2%)

- Usable range: 200 ft
- Typical range: 75 ft

Height Requirements

It is recommended that you mount the back plate a maximum distance of 54 inches above the floor. If a parallel approach by a person in a wheelchair is required, reduce the maximum height to 48 inches.

Note: Consult section 4.27.3 of the 2002 ADA (Americans with Disability Act) guideline, and local building codes, for further details regarding wheelchair requirements.

Mounting Surfaces

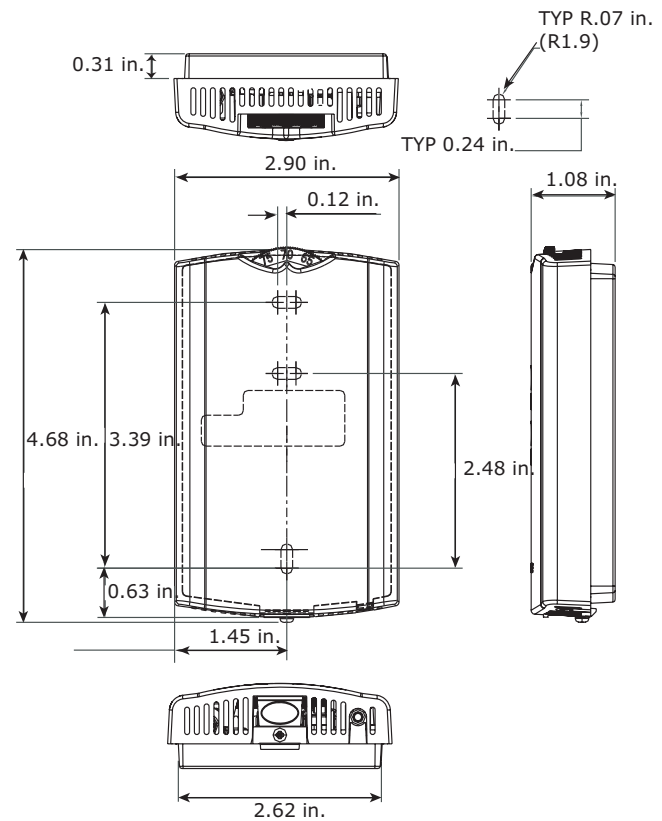
Using the hardware provided, mount the back plate of the sensor to a flat surface such as sheetrock or plaster, or an electrical junction box. The sensor must be mounted plumb for accurate temperature control and to ensure proper air movement through the sensor.

- If mounting onto sheetrock or plaster, use the plastic threaded anchors (pre-drilling holes is not usually necessary) and the two M3.5 x 20 mm mounting screws.
- For mounting onto an electrical junction box, use the two 6-32 x 3/4 in. screws.

Zone Sensor Dimensions

Refer the wall-mounted zone sensor dimensions in the figure below. Position the sensor on an inside wall three to five feet above the floor and at least 18 inches from the nearest outside wall. Installing the sensor at a lower height may give the advantage of monitoring the temperature closer to the zone, but it also exposes the sensor to airflow obstructions. Ensure that air flows freely over the sensor.

Figure 80. Wall-mounted wired and wireless zone sensor dimensions

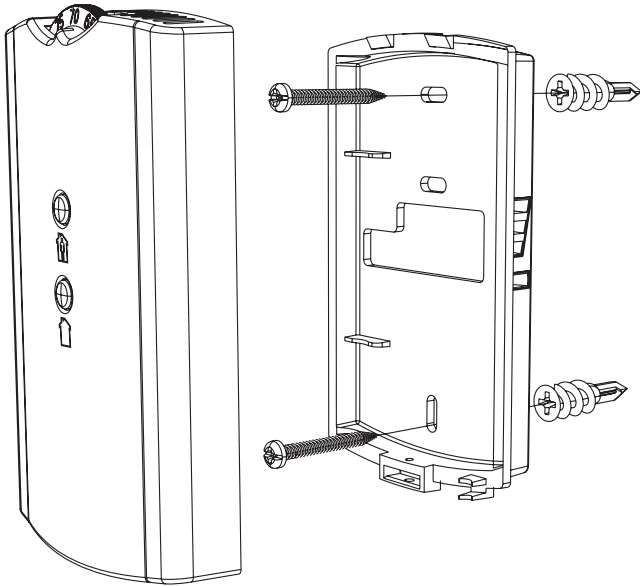


Wired Zone Sensor

Refer to the unit wiring schematic for specific wiring details and point connections.

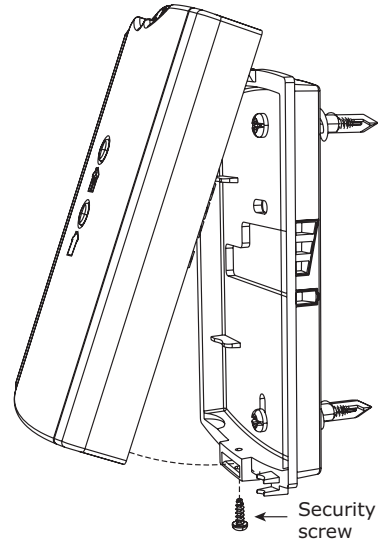
1. Note the position of the setpoint adjustment knob and gently pry the adjustment knob from the cover using the blade of a small screwdriver.
2. Insert the screwdriver blade behind the cover at the top of the module and carefully pry the cover away from the base.
3. To mount the sensor back plate: (see the figure below).
 - a. Hold the back plate against the mounting surface and mark the screw locations.
 - b. Secure the back plate against the mounting surface using included hardware.

Figure 81. Mounting zone sensor base plate



4. To install the zone sensor module to a standard junction box:
 - a. Level and install a 2 x 4-in. junction box (installer supplied) vertically on the wall.
 - b. Pull the control wires through the cutout. Attach the module to the wall using the screws provided.
5. Strip the insulation on the interconnection wires back 0.25-inch and connect to TB1 (for wired sensors).
6. Screw down the terminal blocks (for wired sensors).
7. To replace the cover:
 - a. Hook the cover over the top of the back plate. Apply light pressure to the bottom of the cover until it snaps in place.
 - b. Install the security screw into the bottom of the cover if desired (see the figure below).

Figure 82. Mounting zone sensor security screw



Wireless Zone Sensors

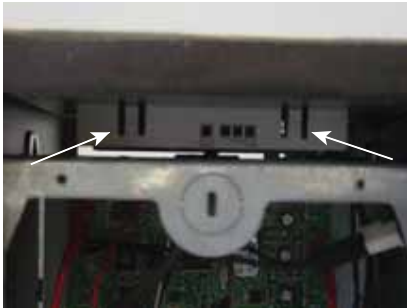
1. Note the position of the setpoint adjustment knob and gently pry the adjustment knob from the cover using the blade of a small screwdriver.
2. Insert the screwdriver blade behind the cover at the top of the module and carefully pry the cover away from the base.
3. To mount the sensor back plate: (see [Figure 81](#))
 - a. Hold the back plate against the mounting surface and mark the screw locations.
 - b. Secure the back plate against the mounting surface using included hardware.
4. To replace the cover:
 - a. Hook the cover over the top of the back plate. Apply light pressure to the bottom of the cover until it snaps in place.
 - b. Install the security screw into the bottom of the cover if desired (see [Figure 82](#)).

Note: For more detailed information for wireless sensors, please see BAS-SVX04E-EN.

Receivers

Receivers ship installed on the unit. To remove the receiver, press in the retention tabs on the underside of the receiver enclosure (see [Figure 83](#)) and push upward.

Figure 83. Retention tabs on underside of receiver enclosure



Zone Sensor Settings

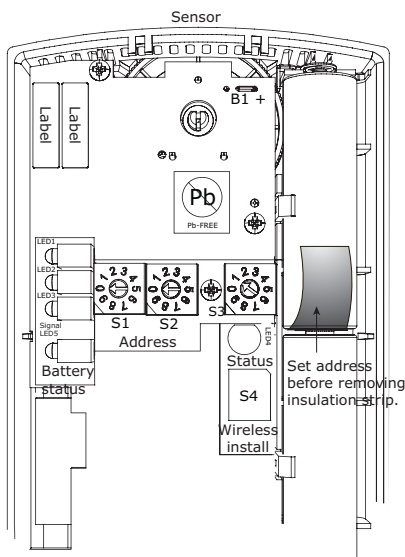
Address Setting

The process of establishing communication between a receiver and sensor is referred to as *association*. The following limitations apply:

- Each associated receiver/sensor set that communicates within the reception range of the wireless system must have a unique address.
- It is not possible to associate more than one sensor to a receiver, nor is it possible to associate more than one receiver to a sensor.
- To associate a receiver and sensor, the two devices must have their rotary address switches set to the same address.

Important: Set the addresses before applying power to the receiver and before removing the insulation strip (figure below) from the sensor.

Figure 84. Set address before removing insulation strip from the sensor.

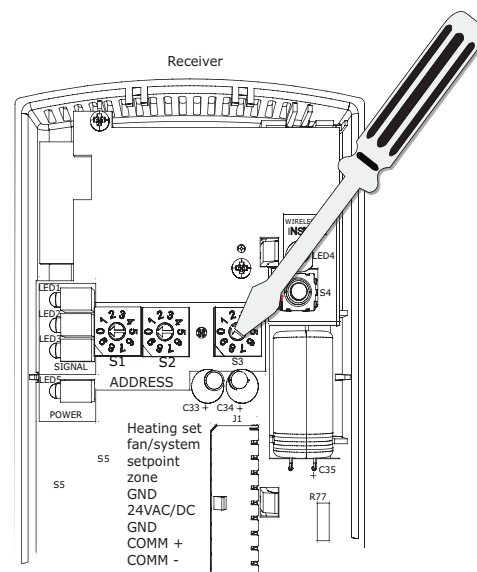


To set the receiver and sensor addresses:

1. Using a small screwdriver, set the three rotary address switches (locations S1, S2, S3) on the receiver to an address between 001 and 999 (see the figure below). You do not have to remove the covers to access the rotary address switches.

Note: Do not use 000 as an address. An address of 000 returns the receiver outputs to their factory defaults (zone temperature and setpoint outputs: 72.5°F, removes all association knowledge, and prevents association with a sensor).

Figure 85. Set the rotary address switches on the receiver



2. Set the three rotary address switches (locations S1, S2, S3) on the sensor to the same address as the receiver.

Note: Do not use 000 as an address. An address of 000 removes all association knowledge, reverts the sensor to a low-power hibernation mode, and sends a disassociation request to the receiver.

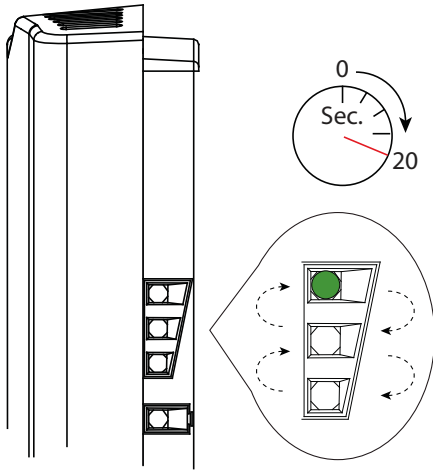
3. Record the address and location of the receiver and sensor pair.

Observing Receiver for Readiness

After initial power up, the receiver conducts a channel scan for 20 seconds. See the figure below. During this time, the receiver selects from 16 available channels the clearest channel on which to operate. LED1, LED2, and LED3 flash rapidly in succession (round-robin style) while the channel scan is in progress.

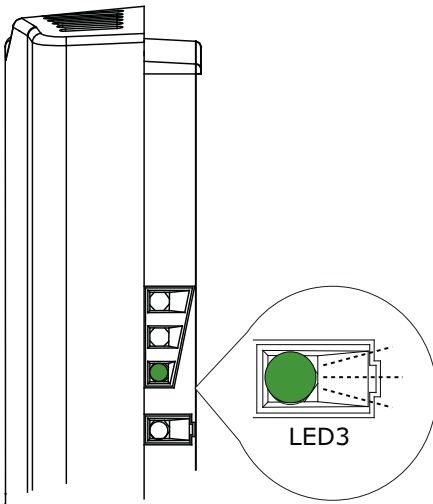
Important: Do not attempt association (leave the insulation strip in place) until the channel scan is finished.

Figure 86. Receiver conducts 20 second channel scan



After the channel scan is finished, LED3 begins blinking (one-blink pattern) to show that the receiver is ready to be associated with a sensor.

Figure 87. LED3 blinks after channel scan to show receiver is ready

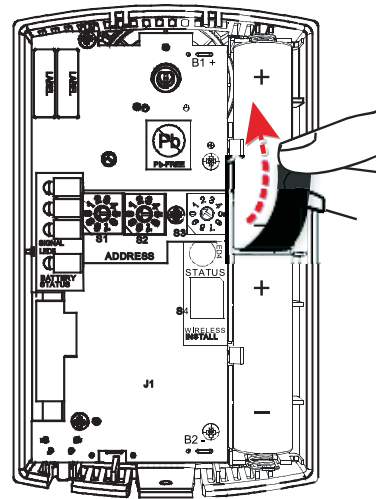


Associating Sensor to Receiver

To associate the sensor to the receiver:

1. Remove the sensor cover by firmly pressing the thumb tab at the bottom of the cover and pulling the cover away from the back plate.
2. Verify that the sensor is set to the same address as the receiver it is to be associated with.
3. Power the sensor by removing the insulation strip from between the two batteries.

Figure 88. Power sensor by removing insulation strip



Association is automatically initiated between the sensor and the receiver. When LED3 on the receiver stops blinking, association has been established.

If the first association attempt is unsuccessful, the sensor automatically re-attempts association with the receiver every 10 minutes.

Note: An associated sensor that has lost communication with the receiver will transmit an association request every 50 minutes. You can manually initiate association (see "Manual Association," p. 135").

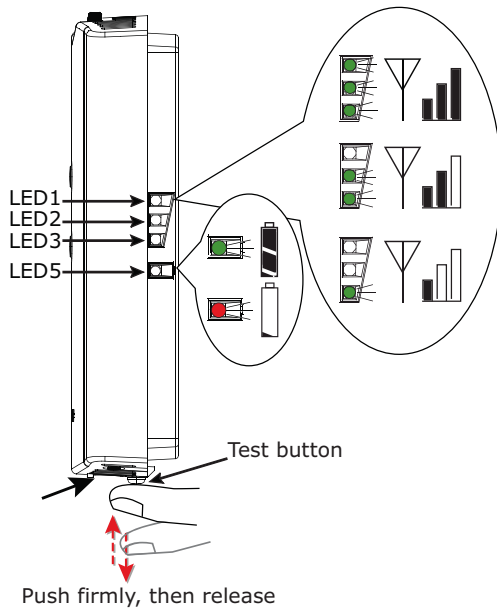
Testing Signal Strength and Battery

To verify that the association process was successful and that the batteries have adequate charge:

1. Firmly press and release the Test button on the bottom of the sensor as illustrated in the figure below.
2. For model WZS, view LED1, LED2, and LED3 to determine the signal strength. View LED5 to determine the battery status (see the figure below for model WZS sensors).

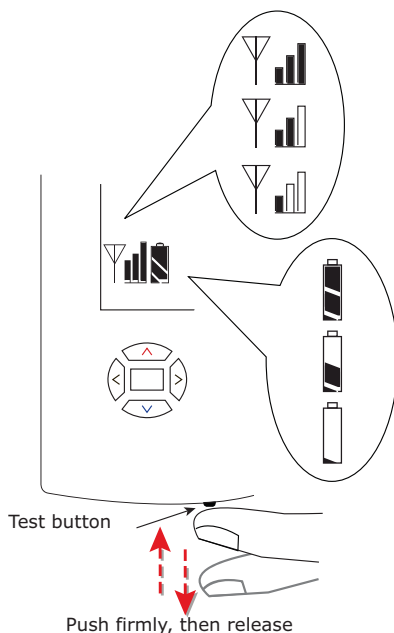
Note: The LEDs will turn Off after 5 seconds to conserve battery strength.

Figure 89. Wireless Zone Sensor (WZS) with LED lights to test for battery strength



- For model WDS, determine the signal strength and battery status by viewing the symbols on the sensor display. Record the results in your commissioning statement.

Figure 90. Wireless Display Sensor (WDS) showing battery strength



Sensor Operations

Temporary Occupancy (Timed Override)

Temporary occupancy (timed override) is available on model WDS. Temporary occupancy is selected for after-business-hours adjustment of temperature setting, fan settings, or heat/cool settings, when the system has changed to unoccupied mode. System control will revert to unoccupied after a pre-determined time period.

Note: Not all systems support the occupancy function.

To request and cancel temporary occupancy on a model WDS sensor, see ["Requesting Temporary Occupancy,"](#) p. 102.

End-of-Range Temperature Values

Receiver: The end-of-range temperature limits of the receiver for *all models* are 32°F to 122°F. The receiver cannot replicate temperature values outside this range. If the sensor transmits a temperature value to the receiver that is out of the receiver replication range, the receiver will "freeze" the output at the end-of-range values. This value will remain frozen until the transmitted temperature moves to between the end-of-range temperature limits.

Sensor: The end-of-range temperature setpoint limits for the WDS is 50°F to 89.6°F.

Receiver Power-up Sequence

When power is applied to the receiver, one of the following sequences occurs. The sequence is dependent on the address setting and the association status of the receiver.

Address set to 000 and receiver is not associated with a sensor

- LED5 is constantly On, indicating power is applied and the receiver is functional.
- All models:* Zone temperature and cooling setpoint default to 72.5°F.
WDS only: The heating setpoint defaults to 70.5°F and the fan/system output will be 2230 Ω (see ["Failure and Default Modes,"](#) p. 136).
- Status LED3 will display a 2-blink pattern diagnostic ([Table 45, p. 105](#)).

Address set from 001 to 999 and receiver is not associated with a sensor

- LED5 is constantly On, indicating power is applied and the receiver is functional.
- All models:* Zone temperature and cooling setpoint default to 72.5°F.
WDS only: The heating setpoint defaults to 70.5°F and the fan/system output will be 2230 Ω (see ["Failure and Default Modes,"](#) p. 136).
- The receiver conducts an energy scan for 20 seconds to determine the clearest channel on which to operate.



Zone Sensor Options

- LED3 flashes On every 2 seconds when it is ready to accept a sensor association request. When an association request is made by a sensor, the receiver instructs the sensor on which power level to operate. Then the receiver and sensor begin operation at the appropriate channel and power level (see “[Observing Receiver for Readiness](#),” p. 95).

Address set from 001 to 999 (and not changed since most recent power-up) and receiver is associated with a sensor

- LED5 is constantly On, indicating power is applied and the receiver is functional.
- Zone temperature and setpoint default to 72.5°F. WDS only: Heating setpoint defaults to 70.5°F, Fan = Auto, System = Off.
- The receiver waits for a broadcast transmission from its associated sensor. When a transmission is received, the receiver positions its zone temperature and setpoint outputs appropriately.
- If the receiver does not receive a communicated signal from its associated sensor within 35 minutes, zone temperature and setpoint outputs fail, generating a unit controller alarm (see “[Failure and Default Modes](#),” p. 136).

Note: Once a receiver communicates to a WZS sensor, the receiver disables (opens) its zone setpoint output indefinitely.

Wireless Sensor Specifications

Table 40. Wireless sensor specifications

Component	Type
Sensor operating temperature	32°F to 122°F
Receiver operating temperature	-40°F to 158°F
Storage temperature	-40°F to 185°F
Storage and operating humidity range	5% to 95%, non-condensing
Accuracy	0.5°F over a range of 55°F to 85°F
Resolution	0.125°F over a range of 60°F to 80°F 0.25°F when outside this range
Setpoint functional range (WDS only)	50°F to 89.6°F
Receiver voltage	24 V nominal ac/dc ±10%
Receiver power consumption	<1 VA
Housing	Polycarbonate/ABS blend, UV protected, UL 94-5VA flammability rating, suitable for application in a plenum
Mounting	3.24 in (8.26 cm) for 2 mounting screws (supplied)
Sensor battery	(2) AA, 1.5 V, 2800 mAh, lithium, 5-year life, UL listed
Range ¹	Open range: 2,500 ft (762 m) (packet error rate = 2 percent) Usable: 200 ft (61 m) Typical: 75 ft (23 m)
Output power	100 mW
Radio frequency	2.4 GHz (IEEE Std 802.15.4-2003 compliant) (2405 to 2480 MHz, 5 MHz spacing)
Radio channels	16
Address range	000 to 999
Minimum time between transmissions	30 seconds
Maximum time between transmissions	15 minutes

¹Range values are estimated transmission distances for satisfactory operation. Actual distance is job specific and must be determined during site evaluation.

Transmission Variables

Sensor transmission time variables are as follows:

- The maximum time between sensor temperature transmissions is 15 minutes.
- The minimum time between sensor temperature transmissions is 30 seconds.
- The minimum time for transmitting temperature setpoint changes is 10 seconds.

Note: If a sensor transmits a message to the receiver and the receiver does not reply, the sensor will retransmit the message to the receiver every 30 seconds until communication to the receiver is re-established.

Sensor temperature time variables are as follows:

- The minimum change in zone temperature required to force a sensor transmission is:
 - 0.2°F when the temperature range is between 60°F and 80°F
 - 0.5°F when the temperature range is between 32°F and 60°F or between 80°F and 122°F
- The minimum change in temperature setpoint required to force a sensor transmission is: 0.1°C for a model WDS sensor

Agency Compliance

Table 41. Agency compliance information for wireless sensors

Agency	Compliance
United States compliance (all models)	UL listed: UL 94-5VA Flammability rating UL 916: Energy management equipment FCC CFR47, Section 15.247 & Subpart E Digital Modulation Transmission with no SAR (FCC Identification TFP-13651127) This device complies with Part 15 of the FCC Rules. Operation is subject to the following two conditions: 1. This device may not cause harmful interference, and 2. This device must accept any interference received, including interference that may cause undesired operation. Warning: Changes or modifications not expressly approved by the party responsible for compliance could void the user's authority to operate the equipment. 20 cm separation distance: To comply with FCC's RF exposure limits for general population/uncontrolled exposure, the antenna(s) used for this transmitter must be installed to provide a separation distance of at least 20 cm from all persons and must not be co-located or operating in conjunction with any other antenna or transmitter.
Canada compliance (all models)	CSA22.2 No. 205-M1983 Signal Equipment Industry Canada (Certification no: IC: 6178A-13651127) Industry Canada statement: the term "IC" before the certification/registration number signifies only that the Industry Canada technical specifications were met. Section 14 of RSS-210: The installer of this radio equipment must ensure that the antenna is located or pointed such that it does not emit RF field in excess of Health Canada limits for the general population.
IEEE compliance for radio frequency range (all models)	IEEE 802.15.4-2003, IEEE Standard for Information Technology—Telecommunications and information exchange between systems—Local and metropolitan area networks—Specific requirements, Part 15.4: Wireless Medium Access Control (MAC) and Physical Layer (PHY) Specifications for Low Rate Wireless Personal Area Networks (LR-WPANS)

Wireless Display Sensor (WDS)

Configuration Procedure

Note: Sensors shipped with the fan coil are pre-configured for three speeds.

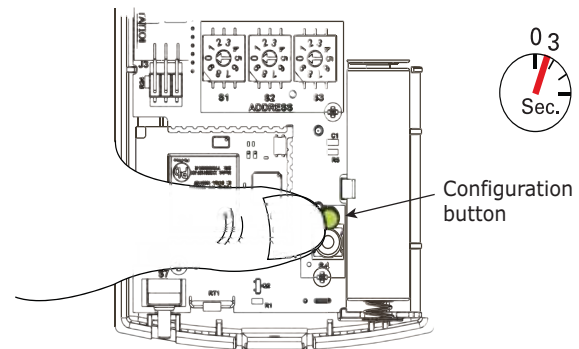
The configuration of the sensor determines which system features can be accessed and changes can be made by the tenant (for example, changes to cooling/heating mode, setpoint, or fan speed). Verify system and associated unit features before configuring the sensor.

The building owner or operator may choose to limit tenant access to certain features. This can be done through configuration. Or, if a sensor is configured to match all control capabilities of the building automation system, the locking feature can be used to restrict the tenant from making changes.

To configure settings on the wireless display sensor (WDS), follow this procedure in the order presented.

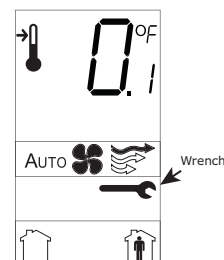
1. Press the configuration button for three seconds.

Figure 91. Configuration button



The display will change to configuration mode. When the sensor is in configuration mode, a wrench symbol appears on the display and the menus are separated by lines, as shown in the figure below.

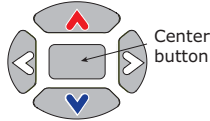
Figure 92. Wrench is shown in configuration mode



Zone Sensor Options

- Press the center button on the keypad to begin the configuration process.

Figure 93. Center button of keypad



- Configure the sensor options in the order shown in the table.

- Press or to scroll to the next selection (as illustrated).
- Press or to move to the next menu (as illustrated in the table below).

- Review the display to ensure that you have selected the correct configuration.

- To return the display to operating mode, press the configuration button (see [Step 1](#) on [p. 99](#)).

Note: The sensor will revert to operating mode if no buttons are pressed for 10 minutes.

Table 42. Configuration options for wireless display sensors

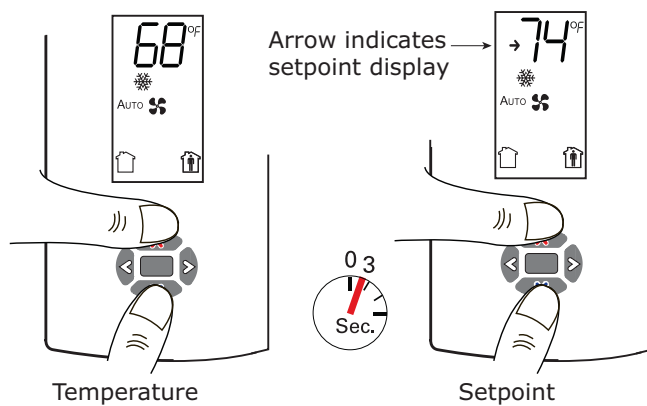
Setting	Configuration Options
Temperature <ul style="list-style-type: none"> Choose Fahrenheit or Celsius Choose the degree resolution (whole degrees, half degrees, or tenths of degrees). 	
Setpoint	
System	
Fan <p>Note: Not all fan options are available for all systems.</p>	
Occupancy (timed override)	

Displaying Setpoint or Temperature

You can configure the sensor to display either the temperature (default) or setpoint. To select either option:

1. Verify that the sensor is in operating mode and at the home screen.
2. Press the up and down arrows for 3 seconds. The arrow indicates setpoint display, as shown in the figure below.

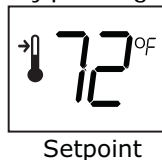
Figure 94. Displaying setpoint or temperature



Locking or Unlocking Settings

You can lock or unlock the setpoint, system, or fan setting to prevent changes. To lock or unlock a setting:

1. Verify that the sensor is in operating mode and at the home screen.
2. Choose a setting to lock or unlock:
 - Select the setpoint by pressing the up or down arrow.

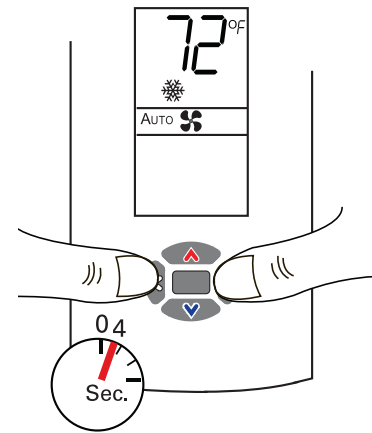



- From the system menu press the down arrow to select the fan menu. Use the left or right arrow to choose the setting.



3. Press the left and right arrows for 4 seconds.

Figure 95. Locking and unlocking settings

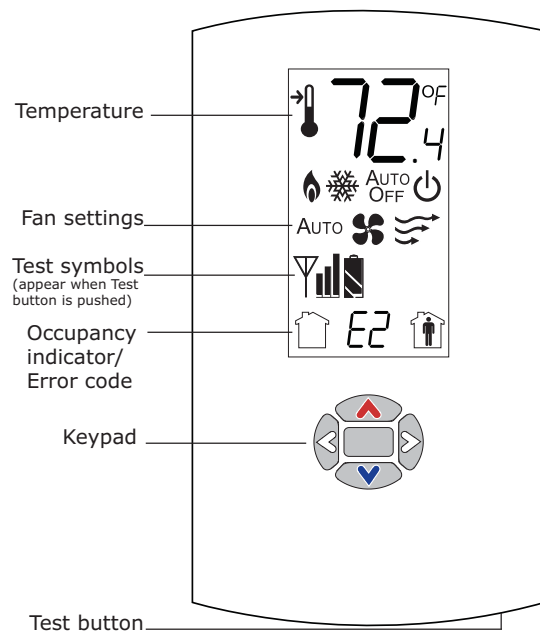


Note: If you try to access a feature that is locked, the locked symbol  will appear on the display. If you press a keypad button to try change a locked setting, the locked symbol will flash.

WDS Operating Mode

This section describes how to operate the wireless display sensor (WDS). Figure below shows an example of a WDS that has been configured and is in operating mode.

Figure 96. Wireless display sensor (model WDS) in operating mode



Zone Sensor Options

Changing Room Temperature

	<p>This symbol shows the current room temperature, or your setpoint selection while you are making an adjustment.</p>	<p>1. To increase the room temperature, press . To decrease the room temperature, press .</p>
	<p>When you select a setpoint, this symbol appears.</p>	<p>2. To confirm, press or wait 5 seconds. The display will return to the home screen.</p>

Changing Heating/Cooling Settings

(does not apply to all systems)

	<p>Some systems allow you to select both heating and cooling room temperature settings. If your system has this option, this symbol appears when you adjust the temperature setting.</p>	<p>1. Press or to select the heating/cooling setting.</p>
	<p>When you adjust the cooling setting, the top arrow and snowflake flash.</p>	<p>2. If in cooling mode, press to change to heating mode. If in heating mode, press to change to cooling mode.</p>
	<p>When you adjust the heating setting, the bottom arrow and flame flash.</p>	<p>3. Press or to select the heating/cooling setting.</p> <p>4. To confirm, press or wait 5 seconds. The home screen will appear.</p>

Changing Fan Settings

	<p>Indicates that the fan will operate as needed to reach the selected temperature.</p>	<p>1. From the home screen, activate the fan setting menu by pressing and then .</p>
	<p>Indicates that the fan setting is On. The number of arrows indicates fan speed (3: high, 2: medium, 1: low). The example shown indicates a fan on high speed. Not all systems offer all three speeds.</p>	<p>2. Press or to choose the desired fan setting.</p> <p>3. When the symbol for the desired setting appears, confirm your choice by pressing (the home screen will appear).</p>
	<p>Indicates that the fan setting is Off.</p>	

Requesting Temporary Occupancy

	<p>Select to request occupancy</p>	<p>If you need heating or cooling after normal business hours, you can “request” temporary occupancy by pressing or and holding it for 2 seconds. The occupied symbol remains on the screen and the unoccupied symbol disappears. After 30 seconds, the unoccupied symbol will re-appear.</p>
		<p>To cancel temporary occupancy, press and hold for 2 seconds. The unoccupied symbol will remain on the screen and the occupied symbol will disappear. After 30 seconds, the occupied symbol will re-appear.</p>
	<p>Select to cancel occupancy</p>	

Error Codes

	<p>Indicates an error code</p>	<p>If an error code (E0–E7) is displayed, technical assistance may be required.</p>
--	--------------------------------	---

Lock Symbol

	<p>Indicates that a setting is locked</p>	<p>The lock symbol appears if you try to adjust a setting that cannot be changed.</p>
--	---	---

Testing Signal Strength

	<p>Indicates excellent signal strength</p>		<p>Indicates satisfactory signal strength</p>		<p>Indicates poor signal strength</p>
<p>Press the Test button to display the signal strength symbols.</p>					

Testing Battery Status

	<p>Indicates full battery power</p>		<p>Indicates 50 percent of battery life left.</p>		<p>Indicates 25 percent of battery life left. Replace batteries. Flashing</p>
<p>symbol indicates that approximately 14 days of operation remain.</p>					

Press the Test button to display the battery status symbols. Use only UL-listed non-rechargeable 1.5 V lithium AA batteries (Trane p/n X13770035010 or equivalent).



Startup

Pre-Startup Checklist

Complete this checklist after installing the unit to verify all recommended installation procedures are complete before unit startup. This does not replace the detailed instructions in the appropriate sections of this manual. Disconnect electrical power before performing this checklist. Always read the entire section carefully to become familiar with the procedures.

⚠ WARNING

Hazardous Voltage w/Capacitors!

Failure to disconnect power and discharge capacitors before servicing could result in death or serious injury. Disconnect all electric power, including remote disconnects and discharge all motor start/run capacitors before servicing. Follow proper lockout tagout procedures to ensure the power cannot be inadvertently energized. For variable frequency drives or other energy storing components provided by Trane or others, refer to the appropriate manufacturer's literature for allowable waiting periods for discharge of capacitors. Verify with an appropriate voltmeter that all capacitors have discharged.

For additional information regarding the safe discharge of capacitors, see PROD-SVB06A-EN

Note: Some circumstances may require the unit to run before building construction is complete. These operating conditions may be beyond the design parameters of the unit and may adversely affect the unit.

General Checks

- Ensure the unit has been installed level.
- Ensure supply-air and return-air ducts have been connected.
- Ensure damper operator motors and connecting linkage have been installed.
- Verify damper operation and linkage alignment.
- Check that air filters are in place and positioned properly.
- Remove any debris from the unit interior.
- Remove all foreign material from the drain pan and check drain pan opening and condensate line for obstructions.
- Inspect electrical connections to the unit and unit controllers.
 - Connections should be clean and secure.
 - Compare the actual wiring with the unit diagrams.
 - Reference the appropriate controller manual for more details about starting units with factory-mounted controls.

- Check piping and valves for leaks. Open or close the valves to check for proper operation. Drain lines should be open.
- Leave this manual with the unit.

Fan-Related Checks

- Rotate fan wheel manually to confirm it turns freely in the proper direction.
- Verify the fan and motor are aligned.

Coil-Related Checks

NOTICE:

Proper Water Treatment!

The use of untreated or improperly treated water in coils could result in scaling, erosion, corrosion, algae or slime. It is recommended that the services of a qualified water treatment specialist be engaged to determine what water treatment, if any, is required. Trane assumes no responsibility for equipment failures which result from untreated or improperly treated water, or saline or brackish water.

- Ensure coil and condensate drain piping connections are complete.
- Check the piping and valves for leaks.
 - Open or close the valves to check operation.
 - The drain lines should be open.
- Remove all foreign material from the drain pan and check the pan opening and condensate line for obstructions.
- For steam coils, slowly turn the steam on full for at least 10 minutes before opening the fresh air intake on units with fresh air dampers.

Electrical Checks

- Check all electrical connections for tightness.
- Verify motor voltage and amps on all phases with the unit nameplate ratings to ensure unit operates correctly.

Ductwork Checks

- If using return ductwork to the unit, secure it with three inches of flexible duct connector.
- Extend discharge duct upward without change in size or direction for at least one and one half fan diameters.
- Use a 3-inch flexible duct connection on discharge.
- Ensure trunk ductwork is complete and secure to prevent leaks.
- Verify that all ductwork conforms to NFPA 90A or 90B and all applicable local codes



Unit Startup

Tracer® ZN010/ZN510 Controllers

Tracer® ZN010 controller is a stand-alone microprocessor controller that controls fan coils and cabinet heaters.

Tracer® ZN510 controller is a discrete speed controller that can be used in a stand-alone application or can communicate with a building automation system using LonTalk® communications.

ZN510 Stand-Alone Operation

The factory pre-programs the Tracer® ZN510 with default values to control the temperature and unit airflow. Use Tracer® Summit building automation system or Rover™ software to change the default values. For more information, refer to:

- CNT-IOP-1 ComfortLink 10 Controller Installation, Operation and Programming Guide
- Follow the procedure below to operate the Tracer® ZN510 in a stand-alone operation:
 1. Turn power on at the disconnect switch option.
 2. Position the fan mode switch to either high, medium, low, or the auto position.
 3. Rotate the setpoint dial on the zone sensor module to 55°F for cooling or 85°F for heating.

The appropriate control valve will actuate assuming the following conditions:

- Room temperature should be greater than 55°F and less than 85°F.
- For a 2-pipe fan-coil unit with an entering water temperature sensor, the water temperature input is appropriate for the demand placed on the unit. For example, cooling operation is requested and cold water (5° lower than room temperature) flows into the unit.
- Select the correct temperature setpoint.

Note: Select and enable zone sensor temperature settings to prevent freeze damage to unit.

ZN010 and ZN510 Operation

Fan Mode Switch

Off - Fan is turned off, two-position damper option spring-returns closed.

Hi, Med, Lo - Fan runs continuously at the selected speed. The two-position damper option opens to an adjustable mechanical stop position.

Controller

Off - Fan is off; control valves and fresh air damper option close. Low air temperature detection option is still active.

Auto (Fan Cycling) - Fan and fresh air damper cycle with control valve option to maintain setpoint temperature. In

cooling mode, the fan cycles from off to medium and in heating mode it cycles from off to low. When no heating or cooling is required, the fan is off and the fresh air damper option closes.

Low/Med/High (Continuous Fan) - Fan operates continuously while control valve option cycles to maintain setpoint temperature. Fresh air damper option is open.

Sequence of Operation

Power-Up Sequence

When 24 Vac power is initially applied to the controller, the following sequence occurs:

1. All outputs are controlled off.
2. Controller reads all input values to determine initial values.
3. The random start time (0-25 seconds) expires.
4. Normal operation begins.

Water Temperature Sampling Function

The controller uses an entering water temperature sampling function to test for the correct water temperature for the unit operating mode. For all applications not involving changeover, the water temperature does not affect unit operation.

The entering water temperature sampling function opens the main hydronic valve, waits no more than three minutes to allow the water temperature to stabilize, then measures the entering water temperature to see if the correct water temperature is available.

The entering water must be five degrees or more above the space temperature to allow hydronic heating and five degrees or more below the space temperature to allow hydronic cooling.

If the correct water temperature is available, the unit begins normal heating or cooling operation. If the measured entering water temperature is too low or high, the controller closes the valve and waits 60 minutes before attempting to sample the entering water. Refer to the table below.

Table 43. Unit mode as related to water temperature

Unit Type	EWT Sensor Required?	Coil Water Temperature
2-pipe changeover	Yes	COOLS if: Space temp - EWT ≥ 5°F HEATS if: EWT - space temp ≥ 5°F
4-pipe changeover	Yes	COOLS if: Space temp - EWT ≥ 5°F HEATS if: EWT - spacetemp ≥ 5°F
2-pipe heating only	No	Hot water assumed
2-pipe cooling only	No	Cold water assumed
4 pipe (2 pipe heat and 2 pipe cool)	No	Cold water assumed in main coil Hot water assumed in aux. coil

Binary Inputs

BIP1: Low Temperature Detection Option

The factory hard wires the low temperature detection sensor to binary input #1 (BIP1). The sensor defaults normally closed (N.C.), and will trip off the unit on a low temperature diagnostic when detecting low temperature. In addition, the controller controls the unit devices below:

- Fan: Off
- Valves: Open
- Electric heat: Off
- Damper: Closed

BIP2: Condensate Overflow Detection Option

The factory hard wires the condensate overflow sensor to binary input #2 (BIP2). The sensor defaults normally closed (N.C.), and will trip off the unit on a condensate overflow diagnostic if condensate reaches the trip point. In addition, the controller controls the unit devices below:

- Fan: Off
- Valves: Closed
- Electric heat: Off

BIP3: Occupancy Sensor

Binary input #3 (BIP3) is available for field-wiring an occupancy sensor, such as a binary switch or a timeclock, to detect occupancy. The sensor can be either normally open (N.O.) or normally closed (N.C.). Refer to [Table 44](#).

Table 44. Occupancy sensor state table

Sensor Type	Sensor Position	Unit Occupancy Mode
Normally open	Open	Occupied
Normally open	Closed	Unoccupied
Normally closed	Open	Unoccupied
Normally closed	Closed	Occupied

Binary Outputs

Table below shows the six binary outputs.

Table 45. Binary outputs

Binary output	Description	Pin
BOP1	Fan high speed	J1-1
BOP2	Fan medium speed	J1-2
BOP3	Fan low speed	J1-4
BOP4 ¹	Main valve	J1-5
BOP5 ¹	Auxiliary valve/electric heat	J1-6
BOP6 ²	2-position fresh air damper	J1-7

Note: ¹In a four-pipe application, BOP4 is used for cooling and BOP5 is used for heating. If no valves are ordered with the unit, the factory defaults are:

- BOP4 configured as normally closed (N.C.)
- BOP5 configured as normally open (N.O.)

Note: ²If the fresh air damper option is not ordered on the unit, BOP6 will be configured as none.

Both Tracer[®] ZN010 and ZN510 accept a maximum of five analog inputs. See the table below.

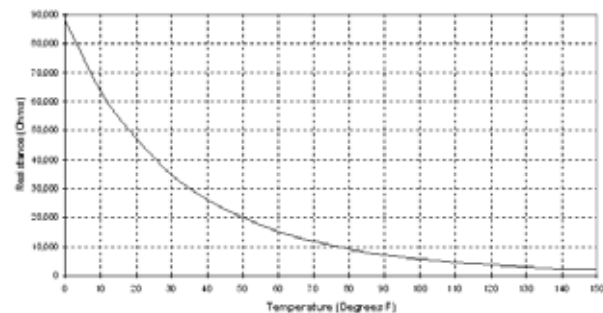
Table 46. Analog inputs

Analog Input	Description	Application
Zone	Space temperature	Space temperature detection / timed override detection
Set	Local setpoint	Thumbwheel setpoint
Fan	Fan mode input	Zone sensor fan switch
Analog input 1 (AI1)	Entering water temperature	Entering water temperature detection
Analog input 2 (AI2)	Discharge air temperature	Discharge air temperature detection

Notes: - Wall-mounted sensors include a thermistor soldered to the sensor's circuit board
 - Unit mounted sensors include a return air sensor in the unit's return air stream.
 Changeover units include an entering water temperature sensor.

The zone sensor, entering water temperature sensor, and the discharge air temperature sensor are 10 K Ω thermistors. See the figure below for the resistance-temperature curve for these thermistors.

Figure 97. Resistance temperature curve for the zone sensor, entering water temperature sensor, and discharge air sensor



Zone Sensors

The available zone sensors (see [“Zone Sensor Options,” p. 91](#)) provide up to three different inputs:

- Space temperature measurement (10 K Ω thermistor)
- Local setpoint
- Fan mode switch

Wall-mounted zone sensors include a thermistor as a component of the internal printed circuit board. Unit mounted zone sensors use a sensor placed in the unit's return air stream.

Each zone sensor is equipped with a thumb wheel for setpoint adjustment.

Fan Mode Switch

The zone sensor may be equipped with a fan mode switch. The fan mode switch offers selections of off, low, medium, high, or auto.

Supply Fan Operation

Refer to [Table 47](#) for fan mode operation. The controller will operate in either continuous fan or fan cycling mode. The fan cycles when the fan mode switch is placed in auto.



Startup

The fan runs continuous when placed in the high, medium, or low position. Use Rover, Trane's installation and service tool, to change auto defaults.

When the heating output is controlled off, the controller automatically controls the fan on for an additional 30 seconds. This delay allows the fan to dissipate any residual heat from the heating source, such as electric heat.

Table 47. Fan mode operation

Heating Mode		Cooling Mode	
Fan mode	Occupied	Unoccupied	Occupied
Off	Off	Off	Off
Low	Low	Off/high ^(a)	Low
Medium	Medium	Off/high ^(a)	Medium
High	High	Off/high ^(a)	High
Auto			
Continuous	Heat default	Off/high ^(a)	Cool default
Cycling off/heat default		Off/high ^(a)	Off/cool default

(a) Whenever two states are listed for the fan:
 The first state (off) applies when there is not a call for heating or cooling.
 The second state (varies) applies when there is a call for heating or cooling.
 The heat default is factory configured for low fan speed, and the cool default is medium.

Table 48. Valid operating range and factory default setpoints

Setpoint/parameter	Default Setting	Valid Operating Range
Unoccupied cooling setpoint	85°F	40°F to 115°F
Occupied cooling setpoint	74°F	40°F to 115°F
Occupied heating setpoint	71°F	40°F to 115°F
Unoccupied heating setpoint	60°F	40°F to 115°F
Cooling setpoint high limit	110°F	40°F to 115°F
Cooling setpoint low limit	40°F	40°F to 115°F
Heating setpoint high limit	105°F	40°F to 115°F
Heating setpoint low limit	40°F	40°F to 115°F
Power-up control wait	0 sec	0 sec to 240 sec

Tracer® ZN520 Controllers

Tracer® ZN520 controller is a discrete speed controller that can be used in a stand-alone application or can communicate with a building automation system using LonTalk Communication.

ZN520 Stand-Alone Operation

The factory pre-programs the Tracer® ZN520 with default values to control the temperature and unit airflow. Use Tracer® Summit building automation system or Rover™ software to change the default values. For more information, refer to:

- CNT-SVX04*-EN Tracer® ZN520 Unit Controller Installation, Operation, and Programming Guide

Follow the procedure below to operate the Tracer® ZN520 in a stand-alone operation:

- Turn power on at the disconnect switch option.
- Position the fan mode switch to either high, medium, low, or the auto position.
- Rotate the setpoint dial on the zone sensor module to 55°F for cooling or 85°F for heating.

The appropriate control valve will actuate assuming the following conditions:

- Room temperature should be greater than 55°F and less than 85°F.
- For a 2-pipe fan-coil unit with an entering water temperature sensor, the water temperature input is appropriate for the demand placed on the unit. For example, cooling operation is requested and cold water (5° lower than room temperature) flows into the unit.
- Select the correct temperature setpoint.

Note: Select and enable zone sensor temperature settings to prevent freeze damage to unit.

ZN520 Operation

Fan Mode Switch

Off - Fan is turned off, two-position damper option spring-returns closed.

Hi, Med, Low - Fan runs continuously at the selected speed. The two-position damper option opens to an adjustable mechanical stop position.

Controller

Off - Fan is off; control valves and fresh air damper option close. Low air temperature detection option is still active.

Auto - Fan speed control in the auto setting allows the modulating (3-wire floating point) or 2-position control valve option and three-speed fan to work cooperatively to meet precise capacity requirement, while minimizing fan speed (motor/energy/acoustics) and valve position (pump energy, chilled water reset). As the capacity requirement increases at low fan speed, the water valve opens. When the low fan speed capacity switch point is reached, the fan switches to medium speed and the water valve repositions to maintain an equivalent capacity. The reverse sequence takes place with a decrease in required capacity.

Low/Med/High (Continuous Fan) - Fan operates continuously while control valve option cycles to maintain setpoint temperature.

Sequence of Operation

Occupancy Modes

The controller operates the fan in the following modes:

- Occupied
- Unoccupied
- Occupied standby
- Occupied bypass
- Tracer® Summit™ with supply fan control

Occupied

When the controller is in the occupied mode, the unit attempts to maintain the space temperature at the active occupied heating or cooling setpoint, based on the

measured space temperature, the discharge air temperature, the active setpoint, and the proportional/integral control algorithm. The modulating control algorithm used when occupied or in occupied standby is described in the following sections. Additional information related to the handling of the controller setpoints can be found in the previous Setpoint operation section.

Unoccupied Mode

When the controller is in the unoccupied mode, the controller attempts to maintain the space temperature at the stored unoccupied heating or cooling setpoint, based on the measured space temperature, the active setpoint and the control algorithm, regardless of the presence of a hard-wired or communicated setpoint. Similar to other configuration properties of the controller, the locally stored unoccupied setpoints can be modified using Rover service tool.

In unoccupied mode, a simplified zone control algorithm is run. During the cooling mode, when the space temperature is above the cool setpoint, the primary cooling capacity operates at 100 percent. If more capacity is needed, the supplementary cooling capacity turns on (or opens to 100 percent). During the heating mode, when the space temperature is below the heat setpoint, the primary heating capacity turns on. All capacity is turned off when the space temperature is between the unoccupied cooling and heating setpoints. Note that primary heating or cooling capacity is defined by unit type and whether heating or cooling is enabled or disabled. For example, if the economizer is enabled and possible, it will be the primary cooling capacity. If hydronic heating is possible, it will be the primary heating capacity.

Occupied Standby Mode

The controller can be placed into the occupied standby mode when a communicated occupancy request is combined with the local (hard-wired) occupancy binary input signal. When the communicated occupancy request is unoccupied, the occupancy binary input (if present) does not affect the controller's occupancy. When the communicated occupancy request is occupied, the controller uses the local occupancy binary input to switch between the occupied and occupied standby modes.

During occupied standby mode, the controller's economizer damper position goes to the economizer standby minimum position. The economizer standby minimum position can be changed using Rover service tool.

In the occupied standby mode, the controller uses the occupied standby cooling and heating setpoints. Because the occupied standby setpoints typically cover a wider range than the occupied setpoints, the Tracer® ZN520 controller reduces the demand for heating and cooling the space. Also, the outdoor air economizer damper uses the economizer standby minimum position to reduce the heating and cooling demands.

When no occupancy request is communicated, the occupancy binary input switches the controller's operating mode between occupied and unoccupied. When no communicated occupancy request exists, the unit cannot switch to occupied standby mode.

Occupied Bypass Mode

The controller can be placed in occupied bypass mode by either communicating an occupancy request of Bypass to the controller or by using the timed override On button on the Trane zone sensor.

When the controller is in unoccupied mode, you can press the On button on the zone sensor to place the controller into occupied bypass mode for the duration of the bypass time (typically 120 minutes).

Occupancy Sources

There are four ways to control the controller's occupancy:

- Communicated request (usually provided by the building automation system or peer device)
- By pressing the zone sensor's timed override On button
- Occupancy binary input
- Default operation of the controller (occupied mode)

A communicated request from a building automation system or another peer controller can change the controller's occupancy. However, if communication is lost, the controller reverts to the default operating mode (occupied) after 15 minutes (configurable, specified by the "receive heartbeat time"), if no local hard-wired occupancy signal exists.

A communicated request can be provided to control the occupancy of the controller. Typically, the occupancy of the controller is determined by using time-of-day scheduling of the building automation system. The result of the time-of-day schedule can then be communicated to the unit controller.

Tracer® Summit with Supply Fan Control

If the unit is communicating with Tracer® Summit and the supply fan control programming point is configured for Tracer® (the factory configures as local), Tracer® Summit will control the fan regardless of the fan mode switch position.

When the fan mode switch is set to Off or when power is restored to the unit, all lockouts (latching diagnostics) are manually reset. The last diagnostic to occur is retained until the unit power is disconnected.

For specific instructions regarding Tracer® ZN520 Controller, refer to:

CNT-SVX04A-EN Tracer® ZN520 Unit Controller Installation, Operation and Programming Guide

Cooling Operation

The heating and cooling setpoint high and low limits are always applied to the occupied and occupied standby setpoints. During the cooling mode, the controller attempts to maintain the space temperature at the active cooling setpoint. Based on the controller's occupancy mode, the active cooling setpoint is one of the following:

- Occupied cooling setpoint
- Occupied standby cooling setpoint
- Unoccupied cooling setpoint

The controller uses the measured space temperature, the active cooling setpoint, and discharge air temperature along with the control algorithm to determine the requested cooling capacity of the unit (0 percent–100 percent). The outputs are controlled based on the unit configuration and the required cooling capacity. To maintain space temperature control, the cooling outputs (modulating hydronic valve, two-position hydronic valve, or outdoor air economizer damper) are controlled based on the cooling capacity output.

The cooling output is controlled based on the cooling capacity. At 0 percent capacity, all cooling capacities are off and the damper is at minimum position. Between 0 percent and 100 percent capacity, the cooling outputs are controlled according to modulating valve logic (modulating valves) or cycled on (2-position valves). As the load increases, modulating outputs open further and binary outputs are energized longer. At 100 percent capacity, the cooling valve or damper is fully open (modulating valves) or on continuously (and 2-position valves).

Unit diagnostics can affect fan operation, causing occupied and occupied standby fan operation to be defined as abnormal. Refer to the Diagnostics and Troubleshooting chapter for more information about abnormal fan operation.

The controller operates the supply fan continuously when the controller is in the occupied and occupied standby modes, for either heating or cooling. The controller only cycles the fan off with heating and cooling capacity in the unoccupied mode.

The economizer is used for cooling purposes whenever the outdoor temperature is below the economizer enable setpoint and there is a need for cooling. The economizer is used first to meet the space demand, and other forms of cooling are used if the economizer cannot meet the demand alone. See modulating outdoor air damper operation for additional information.

Cascade cooling control initiates a discharge air tempering function if the discharge air temperature falls below the discharge air temperature control low limit, all cooling capacity is at minimum, and the discharge control loop determines a need to raise the discharge air temperature. The controller then provides heating capacity to raise the discharge air temperature to its low limit.

Discharge Air Tempering

The discharge air tempering function enables when cold outdoor air is brought in through the outdoor air damper, causing the discharge air to fall below the discharge air temperature control low limit. The controller exits the discharge air tempering function when heat capacity has been at zero percent for five minutes.

Heating Operation

During heating mode, the controller attempts to maintain the space temperature at the active heating setpoint. Based on the occupancy mode of the controller, the active heating setpoint is one of the following:

- Occupied heating
- Occupied standby heating
- Unoccupied heating

During dehumidification in the heating mode, the controller adjusts the heating setpoint up to the cooling setpoint. This reduces the relative humidity in the space with a minimum of energy usage.

The controller uses the measured space temperature, the active heating setpoint, and discharge air temperature, along with the control algorithm, to determine the requested heating capacity of the unit (0 percent–100 percent). The outputs are controlled based on the unit configuration and the required heating capacity.

Unit diagnostics can affect the controller operation, causing unit operation to be defined as abnormal. Refer to the Diagnostics and Troubleshooting chapter for more information about abnormal unit operation.

The heating output is controlled based on the heating capacity. At 0 percent capacity, the heating output is off continuously. Between 0 percent and 100 percent capacity, the heating output is controlled according to modulating valve logic (3-wire modulating valves) or cycled on (two-position valves). As the load increases, modulating outputs open further and binary outputs are energized longer. At 100 percent capacity, the heating valve is fully open (3-wire modulating valves) or on continuously (two-position valves).

The fan output(s) normally run continuously during the occupied and occupied standby modes, but cycle between high and off speeds with heating/cooling during the unoccupied mode. When in the occupied mode or occupied standby mode and the fan speed is set at the high, medium, or low position, the fan runs continuously at the selected speed. Refer to the Troubleshooting section for more information on abnormal fan operation.

When the unit's supply fan is set to auto, the controller's configuration determines the fan speed when in the occupied mode or occupied standby mode. The fan runs continuously at the configured heating fan speed or cooling fan speed. For all fan speed selections except off, the fan cycles off during unoccupied mode.

The economizer outdoor air damper is never used as a source of heating. Instead, the economizer damper (when present) is only used for ventilation; therefore, the damper is at the occupied minimum position in the occupied mode. The damper control is primarily associated with occupied fan operation.

Fan Mode Operation

For multiple fan speed applications, the controller offers additional fan configuration flexibility. Separate default fan speeds for heating and cooling modes can be configured. The fan runs continuously for requested speeds (off, high, medium, or low). When the fan mode switch is in the Auto position or a hard-wired fan mode input does not exist, the fan operates at the default configured speed. See the table below for default fan configuration for heat and cool mode. During unoccupied mode, the fan cycles between high speed and off with heating and cooling fan modes. If the requested speed is off, the fan always remains off.

Table 49. Fan configuration for Tracer® ZN520 units

Auto Fan Operation		Fan Speed Default
Heating	Continuous	Off
		Low
		Medium
		High
Cooling	Continuous	Off
		Low
		Medium
		High

During dehumidification, when the fan is on Auto, the fan speed can switch depending on the error. Fan speed increases as the space temperature rises above the active cooling setpoint.

Additional flexibility built into the controller allows you to enable or disable the local fan switch input. The fan mode request can be either hard-wired or communicated to the controller. When both are present, the communicated request has priority over the hard-wired input. See the tables below.

Table 50. Local fan switch enabled

Communicated Fan Speed Input	Fan Switch (Local)	Fan Operation
Off	Ignored	Off
Low	Ignored	Low
Medium	Ignored	Medium
High	Ignored	High
Auto	Off	
Low		
Medium		
High		
Auto	Off	
Low		
Medium		
High		

Note: Auto (configured default, determined by heat/cool mode)

Table 51. Fan operation in heating and cooling modes

Fan Mode	Heating		Cooling	
	Occupied	Unoccupied	Occupied	Unoccupied
Off	Off	Off	Off	Off
Low	Low	Off/high	Low	Off/high
Medium	Med	Off/high	Med	Off/high
High	High	Off/high	High	Off/high
Auto	Default fan speed	Off/high	Default fan speed	Off/high

Table 52. Local fan switch disabled or not present

Communicated Fan Speed Input	Fan Operation
Off	Off
Low	Low
Medium	Medium
High	High
Auto (or not present)	Auto (fan runs at the default speed)

Continuous Fan Operation

During occupied and occupied standby modes, the fan normally is on. For multiple speed fan applications, the fan normally operates at the selected or default speed (off, high, medium, or low). When fan mode is auto, the fan operates at the default fan speed.

During unoccupied mode, the controller controls the fan off. While unoccupied, the controller heats and cools to maintain the unoccupied heating and cooling setpoints. In unoccupied mode, the fan is controlled on high speed only with heating or cooling.

The unit fan is always off during occupied, occupied standby, and unoccupied modes when the unit is off due to a diagnostic or when the unit is in the off mode due to the local zone sensor module, a communicated request, or the default fan speed (off).

If both a zone sensor module and communicated request exist, the communicated request has priority.

Fan Cycling Operation

Tracer® ZN520 does not support fan cycling in occupied mode. The fan cycles between high speed and off in the unoccupied mode only. The controller's cascade control algorithm requires continuous fan operation in the occupied mode.

Fan Off Delay

When a heating output is controlled off, the controller automatically holds the fan on for an additional 30 seconds. This 30-second delay gives the fan time to blow off any residual heat from the heating source, such as a steam coil. When the unit is heating, the fan off delay is normally applied to control the fan; otherwise, the fan off delay does not apply.

Water Temperature Sampling Function

Only units using the main hydronic coil for both heating and cooling (2-pipe changeover and 4-pipe changeover units) use the entering water temperature sampling function. Two-pipe changeover and 4-pipe changeover applications allow the main coil to be used for heating and for cooling; therefore, these applications require an entering water temperature sensor.

When three-way valves are ordered with a Tracer® ZN520 controller, the controller is factory-configured to disable the entering water temperature sampling function, and the entering water sensor is mounted in the proper location. Disabling entering water temperature sampling eliminates unnecessary water flow through the main coil when three-way valves are used.

The controller invokes entering water temperature sampling only when the measured entering water temperature is too cool to heat or too warm to cool. Entering water is cold enough to cool when it is five degrees below the measured space temperature. Entering water is warm enough to heat when it is five degrees above the measured space temperature.

When the controller invokes the entering water temperature sampling function, the unit opens the main hydronic valve for no more than three minutes before considering the measured entering water temperature. An initial stabilization period is allowed to flush the coil. This period is equal to 30 seconds plus half of the valve stroke time. Once this temperature stabilization period has expired, the controller compares the entering water temperature against the effective space temperature (either hard-wired or communicated) to determine whether the entering water can be used for the desired heating or cooling. If the water temperature is not usable for the desired mode, the controller continues to compare the entering water temperature against the effective space temperature for a maximum of three minutes.

The controller automatically disables the entering water temperature sampling and closes the main hydronic valve when the measured entering water exceeds the high entering water temperature limit (110°F). When the entering water temperature is warmer than 110°F, the controller assumes the entering water temperature is hot because it is unlikely the coil would drift to a high temperature unless the actual loop temperature was very high.

If the entering water temperature is unusable—too cool to heat or too warm to cool—the controller closes the hydronic valve and waits 60 minutes before initializing another sampling. If the controller determines the entering water temperature is valid for heating or cooling, it resumes normal heating/cooling control and effectively disables entering water temperature sampling until it is required.

Electric Heat Operation

The Tracer® ZN520 controller supports one or two-stage electric heat operation for heating. To control the space temperature, electric heat is cycled to control the discharge air temperature. The rate of cycling is dependent upon the load in the space and the temperature of the incoming fresh air from the economizer (if any). Two-pipe changeover units with electric heat use the electric heat only when hot water is not available.

Damper Options

Manual Fresh Air Damper

Units with the manual fresh air damper option ship with the damper in the closed position, which is adjustable from zero to 100 percent in 25 percent increments. To adjust the position, first remove the air filter to expose the damper stop screw on the control panel end. Relocate the stop screw to the appropriate position. Then loosen the stop screw wingnut and adjust the linkage.

Economizer Damper

With a valid outdoor air temperature (either hard-wired or communicated), the controller uses the modulating economizer damper as the highest priority source of cooling. Economizer operation is only possible through the use of a modulating damper.

Economizing is possible during the occupied, occupied standby, unoccupied, and occupied bypass modes.

The controller initiates the economizer function if the outdoor air temperature is cold enough to be used as free cooling capacity. If the outdoor air temperature is less than the economizer enable setpoint (absolute dry bulb), the controller modulates the outdoor air damper (between the active minimum damper position and 100 percent) to control the amount of outdoor air cooling capacity. When the outdoor air temperature rises 5°F above the economizer enable point, the controller disables economizing and moves the outdoor air damper back to its predetermined minimum position based on the current occupancy mode or communicated minimum damper position.

Table 53. Relationship between outdoor temperature sensors and damper position

Outdoor Air Temp.	Modulating Outdoor Air Damper		
	Occupied or Occupied Bypass	Occupied Standby	Unoccupied
None or invalid	Open to occupied minimum position	Open to occupied standby minimum position	Closed
Failed	Open to occupied minimum position	Open to occupied standby minimum position	Closed
Present and economizing feasible	Economizing minimum position to 100 percent	Economizing between occupied standby minimum position to 100 percent	Open and economizing when unit is operating, closed
Present & economizing not feasible	Open to occupied minimum position	Open to occupied standby minimum position	Closed

Dehumidification

Dehumidification is possible when mechanical cooling is available, the heating capacity is located in the reheat position, and the space relative humidity setpoint is valid. The controller starts dehumidifying the space when the space humidity exceeds the humidity setpoint.

The controller continues to dehumidify until the sensed humidity falls below the setpoint minus the relative humidity offset. The controller uses the cooling and reheat capacities simultaneously to dehumidify the space. While dehumidifying, the discharge air temperature is controlled to maintain the space temperature at the current setpoint.

A typical scenario involves high humidity and high temperature load of the space. The controller sets the cooling capacity to 100 percent and uses the reheat capacity to warm the discharge air to maintain space temperature control. Dehumidification may be disabled via Tracer® or configuration.

Note: If the unit is in the unoccupied mode, the dehumidification routine will not operate.

Data Sharing

Because this controller utilizes LONWORKS® technology, the controller can send or receive data (setpoint, heat/cool mode, fan request, space temperature, etc.) to and from other controllers on the communication link, with or without the existence of a building automation system. This applies to applications where multiple unit controllers share a single space temperature sensor (for rooms with multiple units but only one zone sensor) for both standalone (with communication wiring between units) and building automation system applications. For this application you will need to use the Rover service tool.

For more information on setup, refer to:

EMTX-SVX01G-EN Rover Service Tool Installation, Operation, and Programming manual.

Binary Inputs

Tracer® ZN520 controller has four available binary inputs. Normally, these inputs are factory-configured for the following functions:

- Binary input 1: Low temperature detection (freezestat)
- Binary input 2: Condensate overflow
- Binary input 3: Occupancy/ Generic
- Binary input 4: Fan status

Note: The generic binary input can be used with a Tracer® Summit™ building automation system only.

Each binary input default configuration (including normally open/closed) is set at the factory. See the table below. However, you can configure each of the four binary inputs as normally open or normally closed. The controller will be set properly for each factory-supplied binary input end-device. When no device is connected to the input, configure the controller's input as not used.

Table 54. Binary input configurations

Binary Input	Description	Configuration	Controller Operation	
			Contact Closed	Contact Open
BI 1	Low temperature detection ^(a)	Normally closed	Normal	Diagnostic ^(b)
BI 2	Condensate overflow ^(a)	Normally closed	Normal	Diagnostic ^(b)
BI 3	Occupancy	Normally open	Unoccupied	Occupied
BI 3	Generic binary input	Normally open	Normal ^(c)	Normal ^(c)
BI 4	Fan status ^(a)	Normally open	Normal	Diagnostic ^(d)

Note: The occupancy binary input is for standalone unit controllers as an occupied/unoccupied input. However, when the controller receives a communicated occupied/unoccupied request, the communicated request has priority over the hard-wired input.

(a) During low temperature, condensate overflow, and fan status diagnostics, the controller disables all normal unit operation of the fan, valves, and damper.

(b) Table 55 shows the controller's response to low temperature detection, condensate overflow, and fan status diagnostics.

(c) The generic binary input does not affect unit operation. A building automation system reads this input as a generic binary input.

(d) If the fan mode input is in the off position or the controller is in the unoccupied mode with the fan off, the fan status input will be open. A diagnostic will not be generated when the controller commands the fan off. A diagnostic will only be generated if the fan status input does not close after one minute from energizing a fan output or any time the input is open for one minute. The controller waits up to one minute after energizing a fan output to allow the differential pressure to build up across the fan.

Binary Outputs

Binary outputs are configured to support the following (see the table below):

- Three fan stages (when one or two fan stages are present, medium fan speed can be configured as exhaust fan)
- One hydronic cooling stage
- One hydronic heating stage (dehumidification requires this to be in the reheat position)
- One DX cooling stage
- One or two-stage electric heat (dehumidification requires this to be in the reheat position)
- Face and bypass damper
- Modulating outdoor air damper
- One baseboard heat stage

Table 55. Binary output configuration (Tracer® ZN520)

Binary Output	Configuration
J1-1	Fan high
J1-2	Fan medium
J1-3	Fan low
J1-4	(Key)
J1-5	Cool valve—open, or 2-position valve ^(a)
J1-6	Cool valve—close Note 1
J1-9	Heat valve—open, or 2 position valve, or 1st electric heat stage ^(a)
J1-10	Heat valve—close or 2nd Electric heat stage ^(a)
J1-11	Fresh air damper—open
J1-12	Fresh air damper—close
TB4-1	Generic/baseboard heat output
TB4-2	24 Vac

(a) For Tracer® ZN520 units configured and applied as 2-pipe hydronic heat/cool changeover, terminals J1-5 and J1-6 are used to control the primary valve for both heating and cooling. For Tracer® ZN520 units configured and applied as 2-pipe hydronic heat/cool changeover with electric heat, terminals J1-5 and J1-6 are used to control the primary valve (for both cooling and heating), and terminals J1-9 and J1-10 are used only for the electric heat stage. For those 2-pipe changeover units, electric heat will not be energized while the hydronic supply is hot (5° or more above the space temperature).

Table 56. Analog inputs (Tracer® ZN520)

Description	Terminal s	Function	Range
Zone	TB3-1	Space temperature input	5°F to 122°F
Ground	TB3-2	Analog ground	n/a
Set	TB3-3	Setpoint input	40°F to 115°F
Fan	B3-4	Fan switch input	4821 to 4919 W (off)
			2297 to 2342 W (auto)
			10593 to 10807 W (low)
			13177 to 13443 W (medium)
			15137 to 16463 W (high)
Ground	TB3-6	Analog ground	n/a
Analog input 1	J3-1	Entering water temperature	-40°F to 212°F
	J3-2	Analog ground	n/a
Analog input 2	J3-3	Discharge air temperature	-40°F to 212°F
	J3-4	Analog ground	n/a
Analog input 3	J3-5	Fresh air temp/generic temp	-40°F to 212°F
	J3-6	Analog ground	n/a
Analog input 4	J3-7	Universal input	0% to 100%
		Generic 4–20mA	0% to 100%
		Humidity	0 to 2000 ppm
		J3-8	CO ₂
	J3-8	Analog ground	n/a
Ground	J3-9	Analog ground	n/a

Notes: - Wall-mounted sensors include a thermistor soldered to the sensor's circuit board
 - Unit mounted sensors include a return air sensor in the unit's return air stream.
 Changeover units include an entering water temperature sensor.

The zone sensor, entering water temperature sensor, and the discharge air sensor, and the outside air temperature sensor are 10 KΩ thermistors. See the figure below for the resistance-temperature curve for these thermistors.

Figure 98. Resistance temperature curve for the zone sensor, entering water temperature sensor, and discharge air sensor

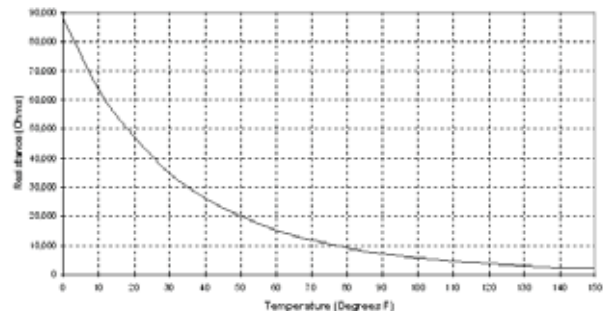


Table 57. Zone Sensor Thermistor Curve (Resistance in Ohms)

°C	°F	R	°C	°F	R	°C	°F	R	°C	°F	R
0	32	32885	25	77	10004	50	122	3759	75	167	1484
1	33.8	31238	26	78.8	9557	1	123.8	3597	76	168.8	1436
2	35.6	29684	27	80.6	9135	52	125.6	3445	77	170.6	1389
3	37.4	28216	28	82.4	8737	53	127.4	3301	78	172.4	1345
4	39.2	26830	29	84.2	8362	54	129.2	3165	79	174.2	1302
5	41	25520	30	86	8007	55	131	3037	80	176	1260
6	42.8	24282	31	87.8	7672	56	132.8	2915	81	177.8	1220
7	44.6	23112	32	89.6	7355	57	134.6	2800	82	179.6	1182
8	46.4	22005	33	91.4	7056	58	136.4	2691	83	181.4	1145
9	48.2	20957	34	93.2	6772	59	138.2	2588	84	183.2	1109
10	50	19966	35	95	6503	60	140	2490	85	185	1074
11	51.8	19028	36	96.8	6248	61	141.8	2397	86	186.8	1041
12	53.6	18139	37	98.6	6006	62	143.6	2309	87	188.6	1009
13	55.4	17297	38	100.4	5777	63	145.4	2225	88	190.4	978
14	57.2	16499	39	102.2	5559	64	147.2	2145	89	192.2	948
15	59	15743	40	104	5352	65	149	2070	90	194	920
16	60.8	15025	41	105.8	5156	66	150.8	1998	91	195.8	892
17	62.6	14345	42	107.6	4969	67	152.6	1929	92	197.6	865
18	64.4	13700	43	109.4	4791	68	154.4	1864	93	199.4	839
19	66.2	13087	44	111.2	4621	69	156.2	1802	94	201.2	814
20	68	12505	45	113	4460	70	158	1742	95	203	790
21	69.8	11953	46	114.8	4306	71	159.8	1686	96	204.8	767
22	71.6	11428	47	116.6	4160	72	161.6	1632	97	206.6	744
23	73.4	10929	48	118.4	4020	73	163.4	1580	98	208.4	722
24	75.2	10455	49	120.2	3886	74	165.2	1531	99	210.2	701

Zone Sensor

The controller accepts the following zone sensor module inputs:

- Space temperature measurement (10kΩ thermistor)
- Local setpoint (either internal or external on the zone sensor module)
- Fan switch
- Timed override (On) and Cancel timed override
- Communication jack

Space Temperature Measurement

Trane zone sensors use a 10kΩ thermistor to measure the space temperature. Typically, zone sensors are wall-mounted in the room and include a space temperature thermistor. As an option, the zone sensor can be unit-mounted with a separate space temperature thermistor located in the unit's return air stream. If both a hard-wired and communicated space temperature value exist, the

controller ignores the hard-wired space temperature input and uses the communicated value.

External Setpoint Adjustment

Zone sensors with an external setpoint adjustment (1kΩ) provide the controller with a local setpoint (50°F to 85°F or 10°C to 29.4°C). The external setpoint is exposed on the zone sensor's front cover.

When the hard-wired setpoint adjustment is used to determine the setpoints, all unit setpoints are calculated based on the hard-wired setpoint value, the configured setpoints, and the active mode of the controller. The hard-wired setpoint is used with the controller's occupancy mode (occupied, occupied standby, or unoccupied), the heating or cooling mode, the temperature deadband values, and the heating and cooling setpoints (high and low limits) to determine the controller's active setpoint.

When a building automation system or other controller communicates a setpoint to the controller, the controller ignores the hard-wired setpoint input and uses the communicated value. The exception is the unoccupied



Startup

mode, when the controller always uses the stored default unoccupied setpoints. After the controller completes all setpoint calculations, based on the requested setpoint, the occupancy mode, the heating and cooling mode, and other factors, the calculated setpoint is validated against the following setpoint limits:

- Heating setpoint high limit
- Heating setpoint low limit
- Cooling setpoint high limit
- Cooling setpoint low limit

These setpoint limits only apply to the occupied and occupied standby heating and cooling setpoints. These setpoint limits do not apply to the unoccupied heating and cooling setpoints stored in the controller's configuration.

When the controller is in unoccupied mode, it always uses the stored unoccupied heating and cooling setpoints. The unit can also be configured to enable or disable the local (hard-wired) setpoint. This parameter provides additional flexibility to allow you to apply communicated, hard-wired, or default setpoints without making physical changes to the unit.

Similar to hard-wired setpoints, the effective setpoint value for a communicated setpoint is determined based on the stored default setpoints (which determines the occupied and occupied standby temperature deadbands) and the controller's occupancy mode.

Fan Switch

The zone sensor fan switch provides the controller with an occupied (and occupied standby) fan request signal (Off, Low, Medium, High, Auto). If the fan control request is communicated to the controller, the controller ignores the hard-wired fan switch input and uses the communicated value. The zone sensor fan switch input can be enabled or disabled through configuration using the Rover service tool. If the zone sensor switch is disabled, the controller resorts to its stored configuration default fan speeds for heating and cooling, unless the controller receives a communicated fan input.

When the fan switch is in the off position, the controller does not control any unit capacity. The unit remains powered and all outputs drive to the closed position. Upon a loss of signal on the fan speed input, the controller reports a diagnostic and reverts to using the default fan speed.

On/Cancel Buttons

Momentarily pressing the on button during unoccupied mode places the controller in occupied bypass mode for 120 minutes. You can adjust the number of minutes in the unit controller configuration using Rover service tool. The controller remains in occupied bypass mode until the override time expires or until you press the Cancel button.

3. Rotate the setpoint dial on the zone sensor module to

Communication Jack

Use the RJ-11 communication as the connection point from Rover service tool to the communication link—when the communication jack is wired to the communication link at the controller. By accessing the communication jack via Rover, you can access any controller on the link.

Communications

The controller communicates via LonTalk protocol. Typically, a communication link is applied between unit controllers and a building automation system. Communication also is possible via Rover, Trane's service tool. Peer-to-peer communication across controllers is possible even when a building automation system is not present. You do not need to observe polarity for LonTalk communication links.

The controller provides six 0.25-inch quick-connect terminals for the LonTalk communication link connections, as follows:

- Two terminals for communication to the board
- Two terminals for communication from the board to the next unit (daisy chain)
- Two terminals for a connection from the zone sensor back to the controller

Table 58. Zone sensor wiring connections

TB1	Description
1	Space temperature / timed override detection
2	Common
3	Setpoint
4	Fan mode
5	Communications
6	Communications

Tracer® UC400-B Controller

Tracer® UC400-B controller delivers single zone VAV control in a stand-alone operation or as part of a building automation system using BACnet® communications.

UC400-B Stand-Alone Operation

The factory pre-programs the Tracer® UC400-B with default values to control the temperature and unit airflow. Use Tracer® SC building automation system or Tracer® TU™ software to change the default values. For more information, refer to:

- BAS-SVX48*-EN Tracer® UC400/UC400-B Programmable Controllers for Blower Coil, Fan Coil, and Unit Ventilator Installation, Operation, and Maintenance guide

Follow the procedure below to operate the Tracer® UC400-B in a stand-alone operation:

1. Turn power on at the disconnect switch option.
2. Position the fan mode switch to either high, medium, low, or the auto position.
55°F for cooling or 85°F for heating.

The appropriate control valve will actuate assuming the following conditions:

- Room temperature should be greater than 55°F and less than 85°F.
- For a 2-pipe fan-coil unit with an entering water temperature sensor, the water temperature input is appropriate for the demand placed on the unit. For example, cooling operation is requested and cold water (5° lower than room temperature) flows into the unit.
- Select the correct temperature setpoint.

Note: Select and enable zone sensor temperature settings to prevent freeze damage to unit.

UC400-B Operation

Controller

Off - Fan is off; control valves and fresh air damper option close. Low air temperature detection option is still active.

Auto - Fan speed control in the auto setting allows the modulating (3-wire floating point) or 2-position control valve option and 1-, 2-, 3- or variable-speed fan to work cooperatively to meet precise capacity requirement, while minimizing fan speed (motor/energy/acoustics) and valve position (pump energy, chilled water reset). As the capacity requirement increases, the water valve opens. When the fan speed capacity switch points are reached, the fan speed ramps up and the water valve repositions to maintain an equivalent capacity. The reverse sequence takes place with a decrease in required capacity.

In DX/HP mode, the fan is limited to factory selected single speed operation.

Low/Med/High - The fan runs continuously at the selected speed and the valve option will cycle to meet setpoint.

Sequence of Operation

Power-Up Sequence

When 24 Vac power is initially applied to the controller, the following sequence occurs:

1. The Power Marquee LED turns on as red, then flashes green, and then turns a solid green.
2. All outputs are controlled OFF and all modulating valves and dampers close.
3. The controller reads all input local values to determine initial values.
4. The random start timer begins (refer to the following section, Random Start).
5. The random start timer expires.
6. Normal operation begins, assuming there are no generated diagnostics. If any points are in fault or alarm mode, the Power Marquee LED flashes red.

Important: Flashing red does not indicate that the controller will fail to operate. Instead, the point(s) that are in fault or alarm mode

should be checked to determine if the status of the point(s) is acceptable to allow equipment operation.

Random Start

Random start is intended to prevent all units in a building from energizing at the same time. The random start timer delays the fan and any heating or cooling start-up from 5 to 30 seconds.

Occupancy Modes

Occupancy modes can be controlled in the following ways:

- The state of the local (hard wired) occupancy binary input BI1.
- A timed override request from a Trane zone sensor (see [“Timed Override Control,” p. 116](#)).
- A communicated signal from either a Tracer® SC or BAS.

A communicated request, from either a Tracer® SC or BAS, takes precedence over local requests. If a communicated occupancy request has been established, and is no longer present, the controller reverts to the default (occupied) occupancy mode after 15 minutes (if no hard wired occupancy request exists). The controller has the following occupancy modes:

- Occupied
- Unoccupied
- Occupied standby
- Occupied bypass

Occupied Mode

In Occupied Mode, the controller maintains the space temperature based on the occupied space temperature setpoint ± occupied offset. The controller uses the occupied mode as a default mode when other forms of occupancy request are not present and the fan runs continuously. The outdoor air damper, if present, will close when the fan is OFF. The temperature setpoints can be local (hard wired), communicated, or stored default values (configurable using the Tracer® TU service tool).

Unoccupied Mode

In unoccupied mode, the controller attempts to maintain the space temperature based on the unoccupied heating or cooling setpoint. The fan will cycle between high speed and OFF. In addition, the outdoor air damper remains closed, unless economizing. The controller always uses the stored default setpoint values (configurable using the Tracer® TU service tool), regardless of the presence of a hard wired or communicated setpoint value.

Occupied Standby Mode

The controller is placed in occupied standby mode *only* when a communicated occupied request is combined with an unoccupied request from occupancy binary input BI1. In occupied standby mode, the controller maintains the

space temperature based on the occupied standby heating or cooling setpoints. Because the occupied standby setpoints have a typical temperature spread of 2°F (1.1°C) in either direction, and the outdoor air damper is closed, occupied standby mode reduces the demand for heating and cooling the space. The fan will run as configured (continuously) for occupied mode. The controller always uses the stored default setpoint values (configurable using the Tracer® TU service tool), regardless of hard wired or communicated setpoint values. In addition, the outdoor air damper uses the economizer occupied standby minimum position setpoint to reduce the ventilation rate.

Occupied Bypass Mode

The controller is placed in occupied bypass mode when the controller is operating in the unoccupied mode and when either the timed override ON button on the Trane zone sensor is pressed or the controller receives a communicated occupied bypass signal from a BAS. In occupied bypass mode, the controller maintains the space temperature based on the occupied heating or cooling setpoints. The fan will run as configured (continuous or cycling). The outdoor air damper closes when the fan is OFF. The controller remains in occupied bypass mode until either the CANCEL button is pressed on the Trane zone sensor or the occupied bypass time (configurable using the Tracer® TU service tool) expires. The temperature setpoints can be configured as local (hard wired), communicated, or stored default values using the Tracer® TU service tool.

Timed Override Control

If the controller has a timed override option (ON/CANCEL buttons), pushing the ON button initiates a timed override on request. A timed override on request changes the occupancy mode from unoccupied mode to occupied bypass mode. In occupied bypass mode, the controller controls the space temperature based on the occupied heating or cooling setpoints. The occupied bypass time, which resides in the controller and defines the duration of the override, is configurable from 0 to 240 minutes (default value of 120 minutes). When the occupied bypass time expires, the unit transitions from occupied bypass mode to unoccupied mode. Pushing the CANCEL button cancels the timed override request. In addition, it will end the timed override before the occupied bypass time has expired and transition the unit from occupied bypass mode to unoccupied mode.

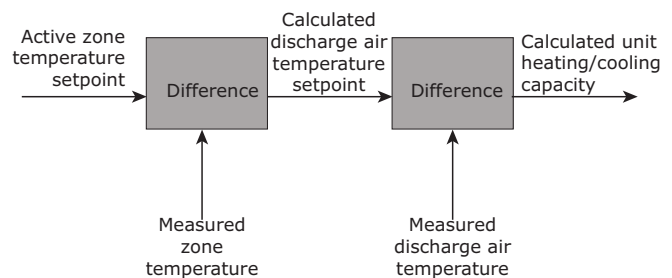
If the controller is in any mode other than unoccupied mode when the ON button is pressed, the controller still starts the occupied bypass timer without changing to occupied bypass mode. If the controller is placed in unoccupied mode before the occupied bypass timer expires, the controller is placed into occupied bypass mode and remains in this mode until either the CANCEL button is pressed on the Trane zone sensor or the occupied bypass time expires.

Zone Temperature Control

The controller has three methods of zone temperature control:

- Cascade zone control—used in the occupied, occupied bypass, and occupied standby modes. It maintains zone temperature by controlling the discharge air temperature to control the zone temperature. The controller uses the difference between the measured zone temperature and the active zone temperature setpoint to produce a discharge air temperature setpoint. The controller compares the discharge air temperature setpoint with the discharge air temperature and calculates a unit heating/cooling capacity accordingly (refer to the illustration below). The end devices (outdoor air damper, valves, and so on) operate in sequence based on the unit heating/cooling capacity (0–100 percent).

Figure 99. Cascade zone control



If the discharge air temperature falls below the discharge air temperature low limit setpoint, (configurable using the Tracer® TU service tool), and the cooling capacity is at a minimum, the available heating capacity is used to raise the discharge air temperature to the low limit (refer to the following section, “Discharge Air Tempering Control”).

- Simplified zone control— if discharge air temperature failure occurs, then simplified zone controls runs. In the unoccupied mode, the controller maintains the zone temperature by calculating the required heating or cooling capacity (0–100%) according to the measured zone temperature and the active zone temperature setpoint. The active zone temperature setpoint is determined by the current operating modes, which include occupancy and heat/cool modes.
- Discharge air temperature control— is the backup mode that runs *only* if there is not valid zone temperature. In this mode, the active space temperature setpoint is used as the discharge air temperature setpoint.

Important: This is not a normal operating mode. The source of the invalid zone temperature needs to be corrected to restore normal operation.

Discharge Air Tempering

If the controller is in cooling mode, cascade zone control initiates a discharge air tempering function when:

- The discharge air temperature falls below the discharge air temperature low limit setpoint (configurable using the Tracer® TU service tool)
- All cooling capacity is at a minimum. The discharge air tempering function allows the controller to provide heating capacity (if available) to raise the discharge air temperature to the discharge air temperature low limit setpoint.
- The cold outdoor air is brought in through the outdoor air damper and when the damper is at (high) minimum position. This causes the discharge air temperature to fall below the discharge air temperature low limit setpoint.

Heating or Cooling Mode

The heating or cooling mode can be determined in one of two ways:

- By a communicated signal from a BAS or a peer controller
- Automatically, as determined by the controller

A communicated heating signal permits the controller to *only* heat and a communicated cooling signal permits the controller to *only* cool. A communicated auto signal allows the controller to automatically change from heating to cooling and vice versa.

In heating or cooling mode, the controller maintains the zone temperature based on the active heating setpoint and the active cooling setpoint, respectively. The active heating and cooling setpoints are determined by the occupancy mode of the controller.

For 2-pipe and 4-pipe changeover units, normal heat/cool operation *will not* begin until the ability to conduct the desired heating or cooling operation is verified. This is done using the entering water temperature sampling function, for which a valid entering water temperature is required. When neither a hard wired nor a communicated entering water temperature value is present on changeover units, the controller operates in *only* heating mode and assumes the coil water is hot. The sampling function is not used.

The entering water temperature sampling function is used *only* for changeover applications and for information and troubleshooting. It *does not* affect the operation of the controller. (For more information, refer to the Water Temperature Sampling Function section.)

Water Temperature Sampling Function

The entering water temperature sampling function is used with 2-pipe and 4-pipe changeover units and requires a valid entering water temperature value. If the entering water temperature value is less than 5°F (2.8°C) above a valid zone temperature value for hydronic heating, and

greater than 5°F (2.8°C) below a valid zone temperature value for hydronic cooling, the sampling function is enabled. When the sampling function is enabled, the controller opens the main hydronic valve to allow the water temperature to stabilize. After 3 minutes, the controller again compares the entering water temperature value to the zone temperature value to determine if the desired heating or cooling function can be accomplished. If the entering water temperature value remains out of range to accomplish the desired heating/cooling function, the controller closes the main hydronic valve and waits 60 minutes to attempt another sampling. If the entering water temperature value falls within the required range, it resumes normal heating/cooling operation and disables the sampling function.

Fan Operation

The controller supports 1-, 2-, 3-speed fans and variable-speed fans. The fan operates in fan cycling or continuous fan while either heating or cooling during occupied, occupied standby, and occupied bypass operation. During unoccupied operation, the fan cycles between OFF and HIGH, regardless of the fan configuration. When running in AUTO mode, the fan operates differently based on the mode and the type of fan.

Manual Fan Speed Control

Regardless of the fan type, the fan runs continuously at the desired fan speed during occupied, occupied standby, and occupied bypass operation as follows:

- When the controller receives a communicated fan speed signal (HIGH, MEDIUM, LOW)
- The associated fan speed switch is set to a specific fan speed
- The Supply Fan Speed Request point is overridden
- DX fan signal defaults to factory programmed fan speed.

During unoccupied operation, the fan cycles between OFF and HIGH, regardless of the communicated fan speed signal or fan speed switch setting (unless either of these is OFF, which in turn, will control the fan OFF).

The fan turns OFF when:

- The controller receives a communicated OFF signal
- The fan speed switch is set to OFF
- Specific diagnostics are generated
- The default fan speed is set to OFF and the fan is operating in the AUTO mode

Note: The supply fan speed source can be configured for BAS, local, or default value control using the Tracer® TU service tool.

AUTO Fan Operation; 1-, 2-, 3-speed Fans

When the controller receives a communicated auto signal (or the associated fan speed switch is set to AUTO with no communicated value present), the fan operates in the

AUTO mode. In AUTO mode, the fan operates according to the fan default (configurable using the Tracer® TU service tool). The fan speed has multiple speed configurations (default is AUTO) or set to OFF for both heating and cooling operation. When configured as AUTO (and with multiple speeds available), the fan changes based on the required capacity calculated by the control algorithm.

AUTO Fan Operation; ECM Energy Efficient Mode

When the controller is configured for *Energy Efficient Mode*, by means of the *Fan Operating Mode Request MV* point, the controller will minimize energy use by running the fan at the lowest possible speed while maintaining space temperature. The controller will fully utilize valves, economizer, or electric heat which increases fan speed to meet space temperature (unless the fan has been manually controlled. Refer to the preceding section, "[Manual Fan Speed Control](#)").

AUTO Fan Operation; ECM Acoustical Mode

When the controller is configured for *Acoustical Mode*, by means of the *Fan Operating Mode Request MV* point, the controller will minimize acoustical nuisance by balancing changes in fan speed and total fan noise. The controller will fully OPEN cooling and heating valves before increasing fan speed to meet space temperature (unless the fan has been manually controlled. Refer to the preceding section, "[Manual Fan Speed Control](#)"). If multiple stages of electric heat exist the controller will use a single minimum air flow for each stage.

Exhaust Control

Exhaust control is achieved by a single-speed exhaust fan and controlled by binary output 2 (BO2). Exhaust control, if not present, can be enabled by selecting Yes under the *Exhaust Fan Selection* on the Tracer® TU Configuration page under the *Equipment Options* group.

Note: Exhaust fan configuration cannot be selected with 3-speed fan operation.

Important: If exhaust control is added to an existing configuration, all other configuration options should be verified to match the correct equipment options. Temperature and flow setpoints will revert to default values.

The exhaust function is coordinated with the supply fan and outdoor/return air dampers as follows:

- The exhaust fan energizes when the fan is running and when the outdoor air damper position is greater than or equal to the exhaust fan enable position (or the outside air damper position at which the exhaust fan turns ON).
- The exhaust fan turns OFF when the fan either turns OFF or the outdoor air damper closes to 10 percent below the exhaust fan enable position.

- If the exhaust fan/damper enable setpoint is less than 10 percent, the exhaust output is energized if the outdoor air damper position is at the setpoint and de-energized at 0.

Valve Operation

The controller supports one or two modulating or two-position valves, depending on the application (refer [Table 59, p. 119](#)). The controller opens and closes the appropriate valve(s) to maintain the active zone temperature setpoint at the heating setpoint in heating mode or the cooling setpoint in cooling mode (refer to "[Cascade Zone Control](#)," [p. 116](#)).

Three-Wire Modulating Valve Operation

The controller supports tri-state 3-wire modulating valve control. Two binary outputs control each valve: one to drive the valve open and one to drive the valve closed. The stroke time for each valve is configurable using the Tracer® TU service tool. The controller supports the following:

- Heating
- Cooling
- Heat/cool changeover with a single valve and coil for 2-pipe applications
- Cooling or heat, cool changeover with the main valve, and coil
- Only heating with the auxiliary valve and coil for 4-pipe applications

The controller moves the modulating valve to the desired positions based on heating or cooling requirements.

Three-Wire Modulating Valve Calibration

Modulating valve calibration is automatic. During normal controller operation, the controller overdrives the actuator (135 percent of the stroke time) whenever there is a request for a position of 0 percent or 100 percent. At either power-up, after a power outage, or when the occupancy status changes to unoccupied, the controller first drives all modulating valves (and dampers) to the closed position. The controller calibrates to the fully CLOSED position by over driving the actuator (135 percent of the stroke time). Thereafter, the controller resumes normal operation.

Two-position Valve Operation

The controller supports two-position valves with a single binary output for each valve. Controllers used for 2-pipe applications support heating, cooling, or heat/cool changeover with a single valve/coil. A controller used for 4-pipe applications supports cooling or heat/cool changeover with a main valve/coil and heating *only* with an auxiliary valve/coil.

Modulating Outdoor/Return Air Damper

The controller operates the modulating outdoor/return air dampers based on the following:

- Occupancy mode
- Outdoor air temperature (communicated or hard wired sensor)
- Zone temperature
- Setpoint
- Discharge air temperature
- Discharge air temperature setpoint

The minimum position for an outdoor air damper is configurable using the Tracer® TU service tool for both occupied mode and occupied standby mode and for low-

speed fan operation. A controller can receive a BAS-communicated outdoor air damper minimum position.

A BAS-communicated minimum position setpoint has priority over all locally configured setpoints. When a communicated minimum position setpoint is not present, the controller uses the configured minimum position for low fan speed whenever the fan is running at low speed, regardless of the occupancy state. Refer to [Table 59](#) and [Table 60](#) for more information about how the controller determines the position of the modulating outdoor air damper.

Table 59. Modulating outdoor air damper position setpoint determination

Occupancy	BAS-communicated Setpoint	Fan speed	Active Minimum Setpoint
Unoccupied	Any value	Any value	0 percent (closed).
Occupied			
Occupied bypass	Valid	Any value	BAS-communicated
Occupied standby			
Occupied			
Occupied bypass	Invalid	Low	Occupied low fan minimum
Occupied standby			
Occupied	Invalid	Medium/high	Occupied minimum
Occupied bypass	Invalid	Medium/high	Occupied standby minimum
Occupied standby			

Table 60. Relationship between outdoor temperature sensors and damper position

Outdoor Air Temperature	Modulating outdoor air damper position		
	Occupied or Occupied Bypass	Occupied Standby	Unoccupied
No or invalid outdoor air temperature	Open to occupied minimum position	Open to occupied standby minimum position	Closed
Failed outdoor air sensor	Open to occupied minimum position	Open to occupied standby minimum position	Closed
Outdoor air temperature present and economizing possible (Refer to section, "Economizing (Free Cooling)," p. 119)	Economizing; damper controlled between occupied minimum position and 100 percent	Economizing; damper controlled between occupied standby minimum position and 100 percent	Open and economizing during unit operation; otherwise closed
Outdoor air temperature present and economizing not possible (Refer to section, "Economizing (Free Cooling)," p. 119)	Open to occupied minimum position	Open to occupied standby minimum position	Closed

Economizing (Free Cooling)

Cooling with outdoor air (during the times when the temperature is low enough to allow) is referred to as economizing (free cooling). The controller and applications with modulating outside air damper, support economizing. The modulating outdoor air damper provides the first source of cooling for the controller.

The controller initiates economizing if the outdoor air temperature is below the economizer enable point (configurable using the Tracer® TU service tool). If economizing is initiated, the controller modulates the outdoor air damper (between the active minimum damper position and 100 percent) to control the amount of outdoor air cooling capacity. When the outdoor air temperature rises 5°F (2.8°C) above the economizer enable point, the controller disables economizing and moves the outdoor air damper back to its predetermined minimum position, based on the current occupancy mode or communicated

minimum outdoor air damper position. If an outdoor air temperature value is not present, economizing is disabled.

Modulating Outdoor Air Damper

The controller supports two-position outdoor air damper actuators. However, a modulating outdoor/return air damper actuator can be used for two-position control. Two-position control can be achieved by not providing an outdoor air temperature (neither hard wired nor communicated) to the controller, and by setting the damper minimum position (using the Tracer® TU service tool) to the desired value, typically 100 percent.

Electric Heat Operation

The controller supports staged electric heat (1- or 2-stages). In a unit configured with staged electric heat, the electric heating circuit(s) are cycled ON and OFF appropriately to maintain the desired space temperature at the active heating setpoint.



Startup

In staged electric heat applications, the simultaneous use of electric and hydronic heat is not supported and the controller will operate electric heat *only* when hot water is *not* available (for example, in a changeover unit). In addition, the controller will run the supply fan for 30 seconds after electric heat is turned OFF in order to dissipate heat from the unit

Note: This delay does not apply to steam or hydronic heating.

Factory-configured electric heat units have built-in mechanical protections to prevent dangerously high discharge air temperatures.

Dehumidification Operation

The controller supports space dehumidification when:

- Mechanical (DX or hydronic) cooling is available
- The heating capacity is located in the reheat position
- The space relative humidity is valid

The space relative humidity can be a BAS-communicated value or come directly from a wired relative humidity sensor. The controller begins to dehumidify the space when the space humidity exceeds the humidity setpoint. The controller continues to dehumidify until the sensed humidity falls below the setpoint minus the relative humidity offset.

Peer-to-Peer Communication

Peer-to-peer communication is accomplished by means of custom TGP2 programming in the Tracer® SC system controller or via hard wiring *only* between controllers.

Unit Protection Strategies

The following unit protection strategies are initiated when specific conditions exist in order to protect the unit or building from damage:

- Smart reset
- Low coil temperature protection
- Condensate overflow
- Fan status
- Fan off delay
- Filter maintenance timer
- Freeze avoidance
- Freeze protection (discharge air temperature low limit)
- Frost protection on refrigerant coils

Smart Reset

The controller will automatically restart a unit that is locked out as a result of a Low Coil Temp Detection diagnostic. Referred to as *smart reset*, this automatic restart will occur 30 minutes after the diagnostic occurs. If the unit is successfully restarted, the diagnostic is cleared. If the unit undergoes another Low Coil Temp Detection

diagnostic within a 24-hour period, the unit will be locked out until it is manually reset.

Note: Freeze protection will also perform a smart reset.

Low Coil Temperature Protection

For more information, refer to:

- BAS-SVX48*-EN Tracer® UC400/UC400-B Programmable Controllers for Blower Coil, Fan Coil, and Unit Ventilator Installation, Operation, and and the preceding the Smart Reset section.

Condensate Overflow

For more information, refer to:

- BAS-SVX48C-EN Tracer® UC400-B Programmable Controller for Blower Coil, Fan Coil, and Unit Ventilator Installation, Operation, and Programming Guide

Fan Status

In 1-, 2- and 3-speed fans, the status is based on the statuses of the supply fan output multistate and analog points dedicated to fan control. The fan status is reported as HIGH, MEDIUM, LOW, and as a percentage, whenever the fan is running. The fan status is reported as OFF whenever the fan is not running.

- If the fan is not operating when the controller has the fan controlled to ON, the controller generates a *Low Airflow-Supply Fan Failure* diagnostic.
- If the controller energizes the fan output for 1 minute, and the fan status switch indicates no fan operation, the controller performs a unit shutdown and generates a *Low Airflow-Supply Fan Failure* diagnostic.
- If the fan has been operating normally for one minute, but the fan status switch indicates no fan operation, the same diagnostic is generated.

This manual diagnostic discontinues unit operation until the diagnostic has been cleared from the controller. If a diagnostic reset is sent to the controller, and the fan condition still exists, the controller attempts to run the fan for 1 minute before generating another diagnostic and performing a unit shutdown. A diagnostic reset can be sent to the controller from the Tracer® TU *Alarms* page or by temporarily overriding the *Reset Diagnostic Request* on the Tracer® TU *Binary Status* page.

Note: In the ECM fan application, the VelociTach board will monitor the status of the fan. In case of a failure, the engine board will disable the motor immediately, and the low airflow diagnostic is sent.

Fan Off Delay

After heating has been controlled OFF, the controller keeps the fan energized for an additional 30 seconds in order to remove residual heat from the heating source.

Filter Maintenance Timer

The filter maintenance timer tracks the amount of time (in hours) that the fan is enabled. The Filter Runtime Hours

Setpoint (configurable using the Tracer® TU service tool) is used to set the amount of time until maintenance (typically, a filter change) is required. The timer can be enabled/disabled from the Supply Fan group on the Setup Parameters page in Tracer® TU.

The controller compares the fan run time to filter runtime hours setpoint. Once the setpoint is reached, the controller generates a Filter Change Required diagnostic. When the diagnostic is cleared, the controller resets the filter maintenance timer to zero, and the timer begins accumulating fan run time again. The diagnostics can be cleared and the filter timer reset by temporarily overriding the Filter Timer Reset Request on the Binary Status page or by using the reset button on the Alarms page in Tracer® TU.

Freeze Avoidance

Freeze avoidance is used for low ambient temperature protection. It is initiated *only* when the fan is OFF. The controller enters the freeze avoidance mode when the outdoor air temperature is below the freeze avoidance setpoint (configurable using the Tracer® TU service tool). The controller disables freeze avoidance when the outdoor air temperature rises 3°F (1.7°C) above the freeze avoidance setpoint.

The following occurs when the controller is in freeze avoidance mode:

- Valves are driven open to allow water to flow through the coil
- Fan is OFF
- Economizing is disabled
- The outdoor/return air damper is closed
- DX cooling is OFF
- Electric heat stages are OFF

Freeze Protection (Discharge Air Temperature Low Limit)

The controller monitors the discharge air temperature with a 10 kΩ thermistor. The freeze protection operation is initiated whenever the discharge air temperature falls below the discharge air temperature low limit. The discharge air temperature low limit is configurable using the Tracer® TU service tool. During freeze protection, the controller increases the heating capacity or decreases the cooling capacity in order to raise the discharge air temperature above the low limit. If the discharge air temperature remains below the low limit for 3 minutes, the controller generates a Discharge Air Temp Limit diagnostic.

Freeze protection will also perform a smart reset. Refer to [“Smart Reset,” p. 120.](#)



Routine Maintenance

⚠ WARNING

Hazardous Service Procedures!

The maintenance and troubleshooting procedures recommended in this manual could result in exposure to electrical, mechanical or other potential safety hazards. Always refer to the safety warnings provided throughout this manual concerning these procedures. Unless specified otherwise, disconnect all electrical power including remote disconnect and discharge all energy storing devices such as capacitors before servicing. Follow proper lockout/tagout procedures to ensure the power can not be inadvertently energized. When necessary to work with live electrical components, have a qualified licensed electrician or other individual who has been trained in handling live electrical components perform these tasks. Failure to follow all of the recommended safety warnings provided, could result in death or serious injury.

⚠ WARNING

Live Electrical Components!

During installation, testing, servicing and troubleshooting of this product, it may be necessary to work with live electrical components. Have a qualified licensed electrician or other individual who has been properly trained in handling live electrical components perform these tasks. Failure to follow all electrical safety precautions when exposed to live electrical components could result in death or serious injury.

Maintenance Checklist

Frequency	Maintenance
Every week	<ul style="list-style-type: none"> Observe unit weekly for any change in running condition and unusual noise.
Every month	<ul style="list-style-type: none"> Clean or replace air filters if clogged or dirty. Inspect and clean the main and auxiliary drain pans.
Every three to six months	<ul style="list-style-type: none"> Manually rotate the fan wheel to check for obstructions in the housing or interference with fan blades. Remove any obstructions and debris. Check motor bracket torque. Inspect coils for dirt build-up. Clean fins if airflow is clogged.
Every year	<ul style="list-style-type: none"> Check and tighten all set screws, bolts, locking collars and sheaves. Inspect the unit casing for chips corrosion. If damage is found, clean and repaint. Clean the fan wheels. Remove any rust from the shaft with an emery cloth and recoat with L.P.S. 3 or equivalent. Rotate the fan wheel and check for obstructions. The wheel should not rub. Adjust the center if necessary. Inspect and clean drain pans. Check damper linkages, fan set screws, and blade adjustment. Clean, but do not lubricate, the nylon damper rod bushings. Inspect, clean, and tighten all electrical connections and wiring. Inspect the strainer option for debris trapped in the filter screen. Examine flex connections for cracks or leaks. Repair or replace damaged material.

Air Filters

⚠ WARNING

Rotating Components!

The following procedure involves working with rotating components. Disconnect all electric power, including remote disconnects before servicing. Follow proper lockout/ tagout procedures to ensure the power can not be inadvertently energized. Secure rotor to ensure rotor cannot freewheel. Failure to secure rotor or disconnect power before servicing could result in rotating components cutting and slashing technician which could result in death or serious injury.

NOTICE:

Replace All Panels and Filters Properly!

Failure to have panels and filters in place could result in equipment damage. All unit panels and filters must be in place prior to unit startup.

Change or clean air filters at least twice a year. Filters require more frequent care under high load or dirty air conditions since a clogged filter reduces airflow. [Table 1](#) and [Table 2, p. 14](#) lists filter size and quantity by unit size. Throwaway and pleated media filters are available for all units.

Remove the front panel of the vertical recessed unit and open the bottom panel door of the horizontal cabinet and horizontal recessed unit to access the filter. The front panel of the vertical cabinet unit does not require removal to change the filter.

Always install filters with directional arrows pointing toward the fan. Replace panels.

Note: Vertical recessed, horizontal cabinet, and horizontal recessed units with a bottom return have filter guides to secure the filter in position. Also, if these unit types have a fresh air opening, they require an additional filter for the fresh air opening.

Coils

All coils should be kept clean to maintain maximum performance. For operation at its highest efficiency, clean the coil often during periods of high demand or when dirty conditions prevail. Clean the coil a minimum of once a year to prevent dirt buildup in the coil fins, where it may not be visible.

Remove large debris from the coils and straighten fins before cleaning. Remove filters before cleaning.

⚠ WARNING

Hazardous Voltage!

Disconnect all electric power, including remote disconnects before servicing. Follow proper lockout/tagout procedures to ensure the power can not be inadvertently energized. Failure to disconnect power before servicing could result in death or serious injury.

⚠ WARNING

Hazardous Chemicals!

Coil cleaning agents can be either acidic or highly alkaline and can burn severely if contact with skin occurs. Handle chemical carefully and avoid contact with skin. ALWAYS wear Personal Protective Equipment (PPE) including goggles or face shield, chemical resistant gloves, boots, apron or suit as required. For personal safety refer to the cleaning agent manufacturer's Materials Safety Data Sheet and follow all recommended safe handling practices. Failure to follow all safety instructions could result in death or serious injury.

To clean coils:

1. Disconnect all electrical power to the unit.
2. Wearing the appropriate personal protective equipment, use a soft brush to remove loose debris from both sides of the coil.
3. Install a block-off to prevent spray from going through the coil and into a dry section of the unit and/or system ductwork.
4. Mix a high-quality coil cleaning detergent with water according to the manufacturer's instructions.

Note: If the detergent is strongly alkaline after mixing (PH 8.5 or higher), it must contain an inhibitor. Follow the cleaning solution manufacturer's instructions regarding the use of the product.

5. Place the mixed solution in a garden pump-up sprayer or high-pressure sprayer. If a high pressure sprayer is to be used:
 - Maintain minimum nozzle spray angle of 15 degrees.
 - Spray perpendicular to the coil face.
 - Keep the nozzle at least 6 inches from the coil.

- Do not exceed 600 psi.

6. Spray the leaving air side of the coil first, then the entering air side.
7. Thoroughly rinse both sides of the coil and the drain pan with cool, clean water.
8. Repeat steps 6 and 7 as necessary.
9. Straighten any coil fins that may have been damaged during the cleaning process.
10. Confirm the drain line is open following the cleaning process.
11. Allow the unit to dry thoroughly before putting it back into service.
12. Replace all panels and parts and restore electrical power to the unit.
13. Be careful any contaminated material does not contact other areas of the unit or building. Properly dispose of all contaminated materials.

Hydronic Coil Winterization

Water coil winterization procedures consist primarily of draining water from the coil before the heating season. Trane recommends flushing the coil with glycol if coils will be exposed to temperatures below 35 degrees.

NOTICE:

Coil Freeze-up!

Drain and vent coils when not in use. Trane recommends glycol protection in all possible freezing applications. Use a glycol approved for use with commercial cooling and heating systems and copper tube coils. Failure to do so could result in equipment damage.

Install field-fitted drains and vents to permit winterization of coils not in use and to assist in evacuating air from the water system during startup. If draining is questionable because of dirt or scale deposits inside the coil, fill the coil with glycol before the heating season begins.

Individual coil types determine how to properly winterize the coil. To determine the coil type find the "Service Model No of Coil" on the coil section nameplate. The coil type is designated by the second and third digits on that model number. For example, if the model number begins with "DUWB," the coil type is UW; if the model number begins with "DWOB," the coil type is W.

Note: On many unit sizes, there are multiple coils in the coil section. Be sure to winterize all coils in a given coil section.



Routine Maintenance

To winterize coils:

1. Remove the vent and drain plugs.
2. Blow the coil out as completely as possible with compressed air.
3. Fill and drain the coil several times with full strength glycol so that it mixes thoroughly with the water retained in the coil.
4. Drain the coil out as completely as possible.
5. To ensure no water remains in the coil, do not replace the vent and drain plugs until the coils are put back into service.

Moisture Purge Cycle

By its very nature, any HVAC unit with a cooling coil serves as a dehumidifier, reducing the surrounding air's ability to hold water vapor as its temperature falls. This normally doesn't present a problem when the unit is running. However, when the fan stops, water vapor condenses on the cold metal surfaces inside the air handler and remains there until the air warms sufficiently to re-evaporate it. This damp, dark environment—though temporary—can encourage the growth of mold, mildew, and other microbial contaminants.

Providing a moisture purge cycle 15 to 30 minutes after shutdown disperses the cold, humid air inside the air-handling system more evenly throughout the building. This four-step cycle:

- Closes the outdoor air dampers.
- Turns off the cooling coil.
- Opens any variable-air-volume terminals connected to the air handler.
- Operates the supply fan for 10 to 15 minutes.

Air movement discourages water condensation and hastens re-evaporation of any condensate that does happen to form. This simple preventative measure effectively combats microbial growth and curbs moisture-related deterioration of air-handling components.

Cleaning Non-Porous Surfaces

WARNING

Hazardous Voltage!

Disconnect all electric power, including remote disconnects before servicing. Follow proper lockout/tagout procedures to ensure the power can not be inadvertently energized. Failure to disconnect power before servicing could result in death or serious injury.

If microbial growth on a non-porous insulating surface (closed cell insulation or sheet metal surface) is observed:

1. Disconnect all electrical power to the unit.
2. Wearing the appropriate personal protective equipment, use a brush for sheet metal surfaces or a soft sponge on a foil face or closed cell foam surface to mechanically remove the microbial growth.

Note: Be careful not to damage the non-porous surface of the insulation.

3. Install a block-off to prevent spray from going into a dry section of the unit and/or system ductwork.
4. Thoroughly clean the contaminated area(s) with an EPA-approved sanitizer specifically designed for HVAC use.
5. Rinse the affected surfaces thoroughly with fresh water and a fresh sponge to prevent potential corrosion of the drain pan and drain line
6. Repeat steps 4 and 5 as necessary.
7. Confirm the drain line is open following the cleaning process.
8. Allow the unit to dry thoroughly before putting it back into service.
9. Replace all panels and parts and restore electrical power to the unit.
10. Be careful any contaminated material does not contact other areas of the unit or building. Properly dispose of all contaminated materials and cleaning solution.

Cleaning Porous Surfaces

⚠ WARNING

Hazardous Voltage!

Disconnect all electric power, including remote disconnects before servicing. Follow proper lockout/tagout procedures to ensure the power can not be inadvertently energized. Failure to disconnect power before servicing could result in death or serious injury.

To clean a porous insulating surface (fiberglass insulation):

1. Disconnect all electrical power to the unit.
2. Wearing the appropriate personal protective equipment, use a vacuum device with a HEPA filter (99.97 percent efficient at 0.3 micron particles) to remove the accumulated dirt and organic matter.

Note: Be careful not to tear the insulation surface or edges.

3. Confirm the drain line is open following the cleaning process.
4. Allow the unit to dry thoroughly before putting it back into service.
5. Replace all panels and parts and restore electrical power to the unit.
6. Be careful any contaminated material does not contact other areas of the unit or building. Properly dispose of all contaminated materials and cleaning solution.

Control Device Replacement

To order control components such as relays, contactors, transformers, low temperature detection devices, condensate overflow detection devices, differential pressure switches, sensors, control valves and actuators, contact the local Trane Service Parts Center. To order, the Trane parts center will need the unit model number (which can be found on the unit nameplate), the serial number, and the part name or ID.

Drain Pans

Removing Main Drain Pan

Horizontal Unit

To remove the main drain pan on a horizontal unit:

1. Peel the insulation from the edges of the pan's underside to access the mounting screws (see the figure below).
2. Remove the screws and lower the end of the drain pan closest to the control box
3. Remove the drain spout by pulling it from the hole in the chassis end panel.

Figure 100. Peel insulation back to see mounting screw



Vertical Unit

To remove the main drain pan on vertical units:

1. Disconnect the clips holding the pan to the fan board
2. Disconnect the main and overflow drain hoses
3. Slide pan forward to remove (see the figure below).

Figure 101. Clips hold drain pan to the fan board



Note: Do not operate the fan-coil unit without the main and auxiliary drain pans in place to prevent condensate leakage.

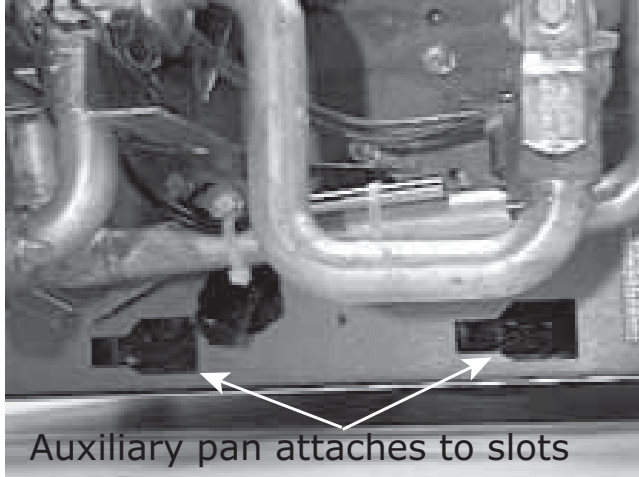
Removing Auxiliary Drain Pan

To remove the auxiliary drain pan:

1. Loosen the hose clamp (installer supplied) around the drain connection collar and disconnect the drain line.
2. Remove the overflow drain line to the auxiliary drain pan if it was installed.
3. Remove the condensate overflow switch option from the auxiliary drain pan.

- Slide the pan horizontally towards the end of the large groove of the mounting slots in the chassis end panel and remove pan from unit (see the figure below).

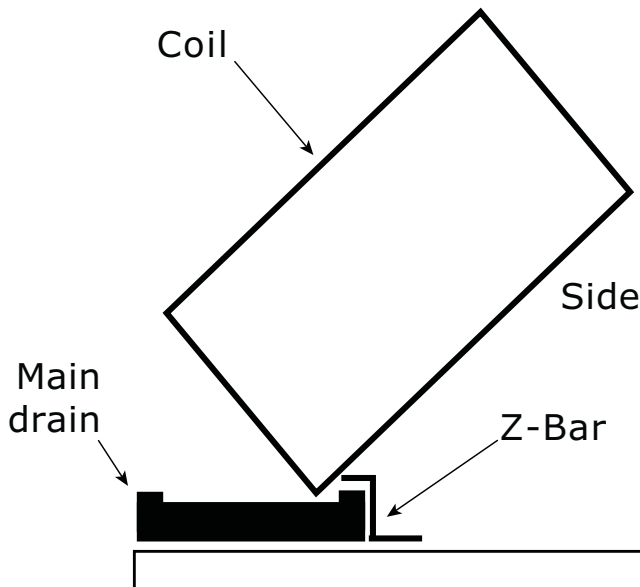
Figure 102. Insert the auxiliary drain pan tabs into slots



Replacing Drain Pan

When replacing the main drain pan on a horizontal unit, install correctly under the Z-bar. See the figure below.

Figure 103. Replace main drain pan on horizontal unit



Cleaning Drain Pan

⚠ WARNING

Hazardous Chemicals!

Coil cleaning agents can be either acidic or highly alkaline and can burn severely if contact with skin occurs. Handle chemical carefully and avoid contact with skin. **ALWAYS** wear Personal Protective Equipment (PPE) including goggles or face shield, chemical resistant gloves, boots, apron or suit as required. For personal safety refer to the cleaning agent manufacturer's Materials Safety Data Sheet and follow all recommended safe handling practices. Failure to follow all safety instructions could result in death or serious injury.

The condensate drain pan and drain line must be checked to assure the condensate drains as designed. This inspection should occur a minimum of every six months or more often as dictated by operating experience.

If evidence of standing water or condensate overflow exists, identify and remedy the cause immediately. Refer to the Diagnostics and Troubleshooting chapter for possible causes and solutions.

To clean drain pans:

- Disconnect all electrical power to the unit.
- Wearing the appropriate personal protective equipment, remove any standing water.
- Scrape solid matter off of the drain pan.
- Vacuum the drain pan with a vacuum device that uses high-efficiency particulate arrestance (HEPA) filters with a minimum efficiency of 99.97 percent at 0.3 micron particle size.
- Thoroughly clean any contaminated area(s) with a mild bleach and water solution or an EPA-approved sanitizer specifically designed for HVAC use.
- Immediately rinse the affected surfaces thoroughly with fresh water and a fresh sponge to prevent potential corrosion of metal surfaces.
- Allow the unit to dry completely before putting it back into service.
- Be careful any contaminated material does not contact other areas of the unit or building. Properly dispose of all contaminated materials and cleaning solution.

Fans

⚠ WARNING

Rotating Components!

The following procedure involves working with rotating components. Disconnect all electric power, including remote disconnects before servicing. Follow proper lockout/ tagout procedures to ensure the power can not be inadvertently energized. Secure rotor to ensure rotor cannot freewheel. Failure to secure rotor or disconnect power before servicing could result in rotating components cutting and slashing technician which could result in death or serious injury.

Inspecting and Cleaning Fans

Fan sections should be inspected every six months at a minimum or more frequently if operating experience dictates. If evidence of microbial growth (mold) is found, identify and remedy the cause immediately. Refer to the Diagnostics and Troubleshooting chapter for possible causes and solutions. To clean the fan section:

1. Disconnect all electrical power to the unit.
2. Wearing the appropriate personal protective equipment, remove any contamination.
3. Vacuum the section with a vacuum device that uses high-efficiency particulate arrestance (HEPA) filters with a minimum efficiency of 99.97 percent at 0.3 micron particle size.
4. Thoroughly clean any contaminated area(s) with a mild bleach and water solution or an EPA-approved sanitizer specifically designed for HVAC use.
5. Immediately rinse the affected surfaces thoroughly with fresh water and a fresh sponge to prevent potential corrosion of metal surfaces.
6. Allow the unit to dry completely before putting it back into service.
7. Be careful any contaminated material does not contact other areas of the unit or building. Properly dispose of all contaminated materials and cleaning solution.

⚠ WARNING

Hazardous Voltage!

Disconnect all electric power, including remote disconnects before servicing. Follow proper lockout/ tagout procedures to ensure the power can not be inadvertently energized. Failure to disconnect power before servicing could result in death or serious injury.

Fan Motors

Inspect fan motors periodically for excessive vibration or temperature. Operating conditions will vary the frequency of inspection.

Torque Rating

Check and adjust fan wheel set screws whenever a component is removed or an adjustment is made. Refer to the table below for recommendations.

Table 61. Recommended torques

	Torque (in-lb)	Ft-lb	N·m
Fan wheel screw	120-130	10.0-10.8	13.6-14.7

Fan Board Assembly

Follow the procedure below when replacing the coil or making repairs to the fan or motor.

⚠ WARNING

Hazardous Voltage w/Capacitors!

Failure to disconnect power and discharge capacitors before servicing could result in death or serious injury. Disconnect all electric power, including remote disconnects and discharge all motor start/run capacitors before servicing. Follow proper lockout tagout procedures to ensure the power cannot be inadvertently energized. For variable frequency drives or other energy storing components provided by Trane or others, refer to the appropriate manufacturer's literature for allowable waiting periods for discharge of capacitors. Verify with an appropriate voltmeter that all capacitors have discharged.

For additional information regarding the safe discharge of capacitors, see PROD-SVB06A-EN

Vertical Units

1. Remove the front panel of cabinet and recessed units.
2. Pull the main and overflow drain hoses of the main drain pan into the inside of the fan-coil chassis end panel.
3. Remove the two fan board mounting screws.
4. Slide the fan board out horizontally to remove.

Horizontal Units

1. Open the bottom panel of cabinet and recessed models.
2. Remove the main drain pan following the instructions given under the drain pan section above for horizontal fan-coil units.
3. While supporting the fan board in place, remove the two fan board mounting screws which secure the fan board to the unit.

Replacing Motors

NOTICE:

Heavy Object!

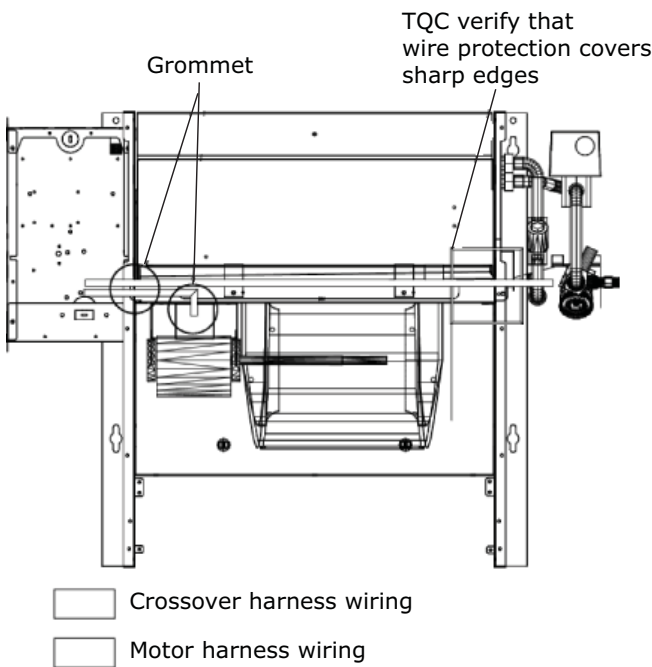
Support the fan board when removing it from the unit. Failure to properly support fan board may result in minor to moderate personal injury.

Removing Fan Board

Motors are attached to the fan boards with screws at the rear of the motors. Fan wheels are attached with Allen screws on the fan hubs. In most applications, it is necessary to remove the fan board to change out the motor. The fan board is easily removable, with screws on the front left and right edges of fan boards (vertical units - see the figure below) or on the front left underside and front right underside of the fan board (horizontal units - see [Figure 106](#)).

Vertical Units

Figure 104. Routing motor and crossover harnesses for vertical units



- In vertical units, wiring to the motor transitions from the control panel onto a trough onto the fan board.
- The motor harnesses are routed through holes at the motor location below the fan board and into the motors with a latching multi-plug.
- The crossover harnesses, which are used to make connections to the piping side of the unit, are routed in the same manner but continue to the piping side entirely through the trough on the fan board.
- On vertical fan-coil units with drain pans, a drain pan support covers most of the wiring. Please be sure to

remove or secure the wiring before removing fan board.

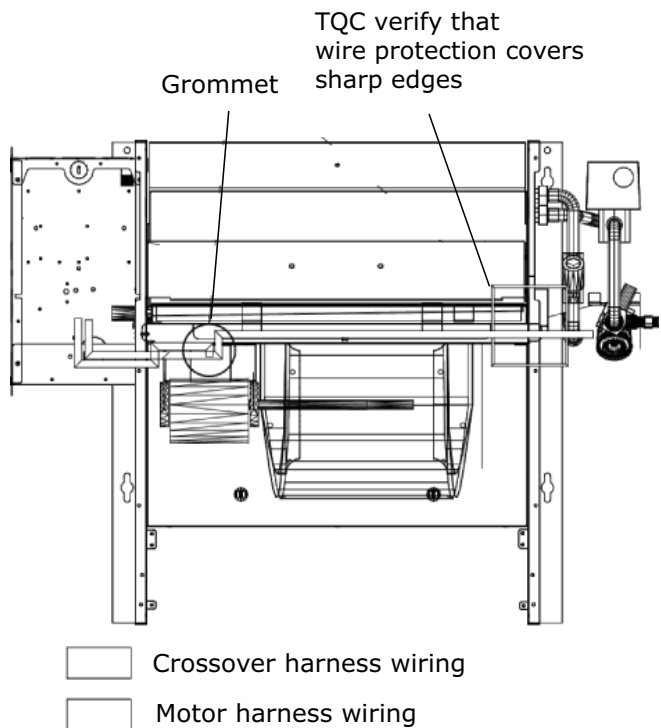
- Fan board attachment screws are located on the front left and right edges of fan boards, and may be concealed by gasketing.

Figure 105. Fan board attachment screw



Horizontal Units

Figure 106. Routing motor and crossover harnesses for horizontal units



- In horizontal units, wiring to the motor is routed below the fan board but is wire-tied to the fan board for harness management and to avoid sharp edges.
- The motor harnesses terminate at the motor location with a latching multi-plug.

- The crossover harnesses, which are used to make connections to the piping side of the unit, are routed initially below the fan board, but transition into a trough on the top side of the fan board, and into the piping section of the unit.
 - Fan board attachment screws are located on the front left underside and front right underside of the fan board.
5. Remove at least one fan housing and loosen fan Allen screw on first fan. Loosen the wheel of the other (if a double-shafted motor).
 6. Unscrew the motor and remove.
 7. Insert the replacement motor (plug must face front of fan board) and drive the screws in with 100 in·lb of torque.

Figure 107. Motor attachment screws are behind motor



Removing/Replacing Motor

⚠ WARNING

Hazardous Voltage w/Capacitors!

Failure to disconnect power and discharge capacitors before servicing could result in death or serious injury. Disconnect all electric power, including remote disconnects and discharge all motor start/run capacitors before servicing. Follow proper lockout tagout procedures to ensure the power cannot be inadvertently energized. For variable frequency drives or other energy storing components provided by Trane or others, refer to the appropriate manufacturer's literature for allowable waiting periods for discharge of capacitors. Verify with an appropriate voltmeter that all capacitors have discharged.

For additional information regarding the safe discharge of capacitors, see PROD-SVB06A-EN

1. Remove front panels of unit.
2. Remove drain pan and drain pan support (vertical units) or remove drain pan (horizontal units).
3. Free the motor and crossover harnesses from the fan board, either by unplugging from the motors and valves and threading backwards, or by unplugging the motor plug from the adapter boards.
4. Remove the fan board attachment screws and carefully lower/slide out fan board.



Diagnostics and Troubleshooting

This section is intended to be used as a diagnostic aid only. For detailed repair procedures, contact your local Trane service representative.

⚠ WARNING

Hazardous Service Procedures!

The maintenance and troubleshooting procedures recommended in this manual could result in exposure to electrical, mechanical or other potential safety hazards. Always refer to the safety warnings provided throughout this manual concerning these procedures. Unless specified otherwise, disconnect all electrical power including remote disconnect and discharge all energy storing devices such as capacitors before servicing. Follow proper lockout/tagout procedures to ensure the power can not be inadvertently energized. When necessary to work with live electrical components, have a qualified licensed electrician or other individual who has been trained in handling live electrical components perform these tasks. Failure to follow all of the recommended safety warnings provided, could result in death or serious injury.

Fan Coil and Cabinet Heater

Table 62. Fan coil and cabinet heater troubleshooting recommendations

Symptom	Probable Cause	Recommended Action
Motor fails to start	Blown fuse or open circuit breaker	Replace fuse or reset circuit breaker.
	Overload trip	Check and reset overload.
	Improper wiring or connections	Check wiring with diagram supplied on unit.
	Improper current supply	Compare actual supply power with motor nameplate recommendations. Contact power company for adjustments.
Motor stalls	Mechanical failure	Check that fan rotates freely.
	Low line voltage	Check across AC line. Correct voltage if possible.
Excessive vibration	Poor fan alignment	Check motor bracket screws. Check fan position on shaft.
	Shipping spacers not removed	Align bearing set screws. Loosen and retighten bearing set screws. Remove shipping spacers and/or bolts.
Motor runs and then dies down	Partial loss of line voltage	Check for loose connections. Determine adequacy of main power supply.
Motor does not come up to speed	Low voltage at motor terminals	Check across AC line and correct voltage loss if possible.
	Line wiring to motor too small	Replace with larger sized wiring.
Motor overheats	Overloaded motor	Reduce load or replace with a larger motor.
	Motor fan is clogged with dirt preventing proper ventilation	Remove fan cover, clean fan and replace cover.
Excessive motor noise	Motor mounting bolts loose	Tighten motor mounting bolts.
	Rigid coupling connections	Replace with flexible connections.
	Fan rubbing on fan cover	Remove interference in motor fan housing.
Low water coil capacity	Incorrect airflow	Check fan operating condition.
	Incorrect water flow	Inspect the water pumps and valves for proper operation and check the lines for obstructions.
	Incorrect water temperature	Adjust the chiller or boiler to provide the proper water temperature.
	Coil is piped incorrectly	Verify coil piping (see "Coil Piping and Connections," p. 53).
	Dirty fin surface	Clean the fin surface.
Low steam coil capacity	Incorrect glycol mixture	Verify glycol mixture and adjust if necessary.
	Incorrect airflow	Check fan operating condition.
	Coil is piped incorrectly	Verify coil piping (see "Coil Piping and Connections," p. 53).
	Incorrect steam pressure	Verify steam pressure and adjust if necessary.
	Excessive steam superheat	Check steam superheat. Steam superheat should not exceed 50°F.
	Failure of steam line/condensate return components	Verify component operation
	Boiler failure	Verify boiler operation
Dirty fin surface	Clean the fin surface.	
Drain pan is overflowing	Plugged drain line	Clean drain line
	Unit not level	Level unit
	Improper trap design	Design trap per unit installation instructions
Standing water in drain pan	Improper trap design	Design trap per unit installation instructions
	Unit not level	Level unit
	Plugged drain line	Clean drain line
Wet interior	Coil face velocity too high	Reduce fan speed
	Improper trap design	Design trap per unit installation instructions
	Drain pan leaks/overflows	Repair leaks
	Condensation on surfaces	Insulate surfaces

Table 62. Fan coil and cabinet heater troubleshooting recommendations

Symptom	Probable Cause	Recommended Action
Excess dirt in unit	Missing filters	Replace filters
	Filter bypass	Reduce filter bypass by ensuring all blockoffs are in place.
Microbial growth (mold) inside air handler	Standing water in drain pan	See "Standing water in drain pan" above
Low refrigerant coil capacity	Incorrect airflow	Check fan operating condition.
	Expansion valve is not operating properly or is sized incorrectly	Check sensing bulb temperature. Verify valve operation. Verify proper valve size.
	Incorrect refrigerant charge	Verify refrigerant charge and adjust if necessary.
	Condensing unit failure	Verify condensing unit operation.
	Coil is piped incorrectly	Verify coil piping (see "Coil Piping and Connections," p. 53.)
	Clogged refrigerant line filter	Change filter core.
	Failure of suction/liquid line components	Verify component operation
	Dirty fin surface	Clean the fin surface. Do not use steam to clean refrigerant coils.
Fin frosting	Verify defrost cycle operation. Verify frostat operation. Verify refrigerant charge.	

Wireless Zone Sensors (WZS)

The receiver for all models has four LEDs: LED1, LED2, LED3, and LED5. Figure below shows their locations.

Note: To view LEDs on a flush mount receiver on a fan coil unit, the front panel of the unit must be removed.

Figure 108. Receiver for all fan coil models showing LED locations

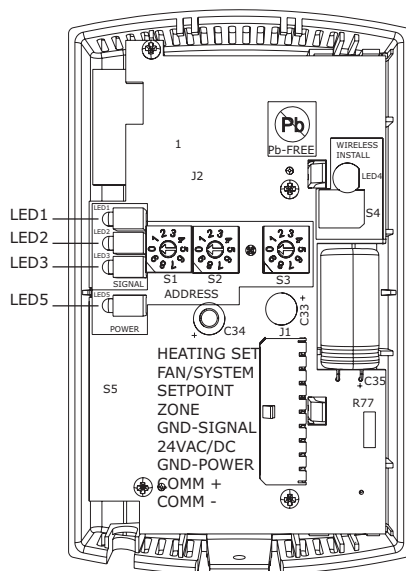
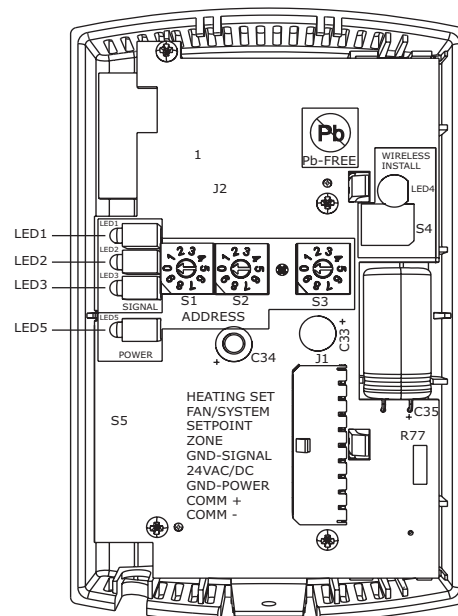


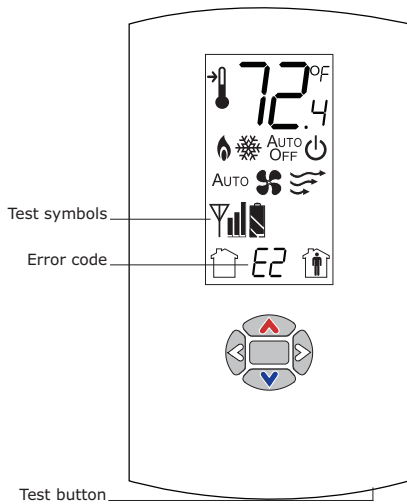
Figure 109. WZS showing LED locations and test button



The sensor for a wireless display sensor (WDS) has test symbols and error codes that appear on the display, and a test button. See the figure below.

The sensor for a wireless zone sensor (WZS) has four LEDs: LED1, LED2, LED3, and LED5 and a test button. Figure below shows their locations.

Figure 110. WDS shows test symbols and error codes



Receiver Diagnostics

LED1, LED2, and LED3, located on the receiver of all models respond to diagnostics by exhibiting specific blinking patterns. They respond independently of any user action (see the table below).

Table 63. Diagnostics on the receiver

LED state	Indicates...
LED1: Off LED2: Off LED3: 1-blink pattern repeated continuously ¹	Disassociated Receiver is not associated, waiting for a sensor. Receiver lost communication with sensor. Receiver has no devices on its wireless personal area network. Association with a device has been manually removed.
LED1: Off LED2: Off LED3: 2-blink pattern repeated continuously ¹	Address set to 000 Address not set to between 001-999.
LED1: Off LED2: Off LED3: 3-blink pattern repeated continuously ¹	Not configured Receiver configuration properties not properly set (defective receiver).

Note: ¹Blink pattern is On for 1/4 s, Off for 1/4 s, with 2 s Off between repetitions.

Sensor Diagnostics

LED1, LED2, and LED3, located on the WZS respond to diagnostics by exhibiting specific blinking patterns. View their response by pressing the Test button.

Error codes appear on the WDS when diagnostics occur (see the table below).

Table 64. Diagnostics for wireless zone sensors and error code shown on wireless display sensor

LED state when Test button is pressed on WZS	Error code shown	
	on WDS	Indicates...
n/a	E0, E5, E7	Sensor failure Replace sensor
LED1: Off LED2: Off LED3 ¹ : 1-blink pattern repeated 3 times	E1	Disassociated Sensor is not associated with a receiver.
LED1: Off LED2: Off LED3 ¹ : 2-blink pattern repeated 3 times	E2	Address set to 000 Address not set to between 001-999.
LED1: Off LED2: Off LED3 ¹ : 3-blink pattern repeated 3 times	E3	Software error Replace sensor
LED1: Off LED2: Off LED3 ¹ : 4-blink pattern repeated 3 times	E4	Input voltage too high No RF transmission is permitted with an input battery voltage greater than 3.9 V.

Note: ¹Blink pattern is On for 1/4 s, Off for 1/4 s, with 2 s Off between repetitions.

Testing Signal Strength

To initiate a signal strength test, push the Test button on the sensor (see location of Test button in [Figure 109](#) and [Figure 110](#)).

- **Models WZS:** LED1, LED2, and LED3 respond by indicating signal strength. You can view them on the sensor and the receiver (tables below).
- **Model WDS:** Test symbols on the sensor display indicate signal strength. LED1, LED2, and LED3, on the receiver, respond by indicating signal strength. See the tables below for symbol displays.

Table 65. Observing signal strength on the wireless zone sensor





User action	LED state	Symbol displayed on WDS	Indicates...
None	LED1: Off LED2: Off LED3: Off	No Test symbols appear	Normal state No Test button press.
	LED1: Off LED2: Off LED3: Off		Associated; no communication with receiver Associated, but no signal from the receiver after pressing Test button.
	LED1: On LED2: On LED3: On Displays for 5 seconds, then constantly Off		Excellent signal strength Good signal margin for reliable communication.
	LED1: Off LED2: On LED3: On Displays for 5 seconds, then constantly Off		Satisfactory signal strength Adequate signal strength for reliable communication. Moving sensor or receiver may improve signal strength. Increased channel switching may reduce battery life.
Press Test button on the sensor	LED1: Off LED2: Off LED3: On Displays for 5 seconds, then constantly Off		Poor signal strength Unreliable communication. Strongly recommend moving the sensor or receiver to a better location.

Table 66. Observing signal strength on the receiver

User action	LED state on receiver	Indicates...
None	LED1: Off LED2: Off LED3: Off	Normal state No Test button press.
	LED1: On LED2: On LED3: On Displays for 5 seconds, then constantly Off	Excellent signal strength Good signal margin for reliable communication.
	LED1: Off LED2: On LED3: On Displays for 5 seconds, then constantly Off	Satisfactory signal strength Adequate signal strength for reliable communication. Moving sensor or receiver may improve signal strength. Increased channel switching may reduce battery life.
	LED1: Off LED2: Off LED3: On Displays for 5 seconds, then constantly Off	Poor signal strength Unreliable communication Strongly recommend moving the sensor or receiver to a better location

Testing Battery Status

Initiate a battery status test as follows:

- On the WZS, push the Test button on the sensor (see location on [Figure 109](#)). LED5 on the sensor responds by indicating the level of battery strength, as shown in the table below.




- On the WDS, push the Test button on the sensor (see location on [Figure 110](#)). In response, a battery test symbol appears on the display. The symbol shown indicates battery life expectancy (see [Table 68](#)).

Table 67. Battery status indicated by LED5 on the wireless zone sensors

User action	LED state	Indicates...
	Solid green for 5 seconds	Battery is adequate for proper operation.
Press Test button	Solid red for 5 seconds	25% battery life left. Batteries should be replaced.
	No light	Batteries life expired or not installed properly, or sensor is defective.
None	Blinking red: 1-blink pattern ^(a) repeated 5 times. Cycle repeats every 15 minutes.	Approximately 14 days of operation remain before the battery is too weak to power the sensor.

(a) Blink pattern is On for 1/4 s, Off for 3/4 s, with 2 s Off between repetitions.

Table 68. Battery status shown on the wireless display sensor

User action	Battery test symbol	Indicates...	Battery test symbol	Indicates...	Battery test symbol	Indicates...
Press Test button		Full battery power.		50percent battery life left.		25 percent battery life left. Replace batteries. Flashing symbol indicates that approximately 14 days of operation remain before the battery is too weak to power the sensor.

24 V Power Status Indicator

LED5 on the receiver of all models (see [Figure 108](#), [page 131](#)) lights and stays constantly On when 24 V power is normal.

Check Signal Strength on a Site

Use the wireless sensor system to check the signal strength on a site.

- Power up a receiver with a 24 V transformer (user supplied).
- Associate the sensor to a receiver of the same model intended for the job.
- Place the receiver at the desired location.
- Place or hold the sensor at the desired location.
- Press the Test button (S5) on the sensor and observe the signal strength as indicated by LED1, LED2, and LED3 on model WZS (see [Figure 109](#)), and on the display on model WDS (see [Figure 110](#), [page 132](#)).

For more information on interpreting the LEDs and the display symbols that indicate signal strength, see "[Testing Signal Strength](#)," [page 133](#).

Replacing Sensor Batteries

Sensor battery type, length of life, and installation are addressed in this section.

Battery Type

NOTICE:

Equipment Damage!

The batteries are manufactured in a ready-to-use state. They are not designed for recharging. Recharging can cause battery leakage or, in some cases, can cause the safety release vent to open.

NOTICE:

Equipment Damage!

Do not attempt to hook up the sensor to a power supply. Equipment damage may result.

Use two non-rechargeable 1.5 V lithium AA batteries in the sensor. To maintain UL rating, use only UL-listed lithium batteries. The sensor ships with Energizer® L91 batteries already installed. Replacement batteries are available at Trane Service Parts Centers (p/n X13770035010) or other local suppliers.

Battery Life

Battery life is five years under normal conditions. If the sensor is not used for an extended period of time, do one of the following:

- Set the sensor address to 000 to place the sensor into a low-power hibernation mode.
- Remove the batteries

Note: If lithium batteries are temporarily unavailable, alkaline batteries can be used. However, alkaline battery life is very short by comparison.

Note: The battery life for model WDS may decrease with extended LCD display activity.

Battery Installation

⚠ WARNING

Prevent Injury!

Batteries can explode or leak and cause burns if installed backwards, disassembled, charged, or exposed to water, fire, or high temperature.

⚠ WARNING

Prevent Injury!

Keep away from small children. If swallowed, contact your local poison control center immediately.

1. Observe the polarity indicators that are molded into the cover.
2. Install two batteries (of the type specified in “[Battery Type](#),” [page 134](#)) in the battery-holding slot that is molded into the sensor cover.

The sensor has been designed to prevent damage if the batteries are installed backwards, to reduce the potential for injury.

Manual Association

Before attempting manual or automatic association, the receiver must indicate readiness to associate (one blink pattern of LED3 on receiver). Refer to “[Observing Receiver for Readiness](#),” [p. 95](#).

At any time, the manual association method can be used to associate the receiver with the sensor. If an association was previously established between a receiver and a sensor and needs to be re-established, the manual association process may be used. If an association has not yet been established, the automatic association process is recommended (see “[Associating Sensor to Receiver](#),” [p. 96](#)).

1. Using a small screwdriver, set the three rotary address switches ([Figure 85](#), [p. 95](#), locations S1, S2, S3) on the receiver to an address between 001 and 999.

Note: An address can be changed at any time after initial association has been established. It is not necessary to power down the receiver or sensor.

2. Set the three rotary address switches ([Figure 84](#), [p. 95](#), locations S1, S2, S3) on the sensor to the same address as the receiver.
3. Record the address and location of the receiver and sensor pair.

4. After verifying that the receiver and sensor are powered up, press the Test button on the sensor to establish that the signal strength (“[Testing Signal Strength](#),” [page 133](#)) and the battery life “[Testing Battery Status](#),” [page 134](#)) are adequate for proper functioning.

Disassociation

The receiver disassociates from the sensor (by removing all stored association information), conducts a channel scan, and restarts itself, if any of the following are true:

- The receiver address is changed from its current setting (001–999)
- The receiver receives a disassociation notification from its associated sensor
- The receiver does not receive a communication from its associated sensor within 50 minutes.
- The sensor and receiver are associated and communicating at the time the sensor is set to 000 and the Test button is pressed.

Note: A disassociated sensor will transit an association request every 10 minutes.

Sensor/Receiver Compatibility

Version 1.5 (p/n X13790854 and X13790855) and higher receivers are compatible with all sensors models and support all functions. Receivers released prior to version 1.5 are compatible with only model WZS.

Replacing a Failed Sensor or Receiver

Note: Receivers ship installed on the unit. To remove the receiver, press in the retention tabs on the underside of the receiver enclosure (see [Figure 83](#), [p. 95](#)) and push upward.

To replace a failed sensor or receiver:

1. Confirm that the device is disassociated (see [Table 63](#) and [Table 64](#), [p. 132](#)).
2. Set the rotary address switch of the new device to match the address of the remaining sensor or receiver.

Note: There is no need to remove power from the remaining device.

3. Apply power to the new device. Association between the new and the remaining devices will automatically occur.

Note: When replacing a WDS sensor, the receiver (version 1.5 or higher) will automatically configure the sensor to match the last stored configuration, if the sensor has not been placed into configuration mode and the factory default configuration is still valid. If the sensor configuration does not match the desired system features, it can be manually configured (see “[Manual Association](#)”).

Servicing/Testing Wireless Zone Sensors

If the wireless sensor system is not working as expected, use the tools and procedure described in this section.

Servicing and Testing Tools

No special tools or software are necessary to service and test the wireless sensor system. Test the system by using:

- The LEDs on the receiver, LEDs on the model WZS sensor, and the display on the model WDS sensor
- The Test button on the sensor
- The address test mode on the receiver
- A common volt-ohm meter

Procedure for Testing Zone Sensor

If the wireless zone sensor is not working as expected:

1. Observe LED5 on the receiver. LED5 is On solid green whenever the receiver is powered.
2. Verify that the receiver is properly grounded. Both the GND-SIGNAL (black) wire and the GND-POWER (yellow) wire must be grounded.
3. Press the Test button on the sensor.
 - Model WZS: LED5 should turn On solid green, indicating proper battery strength. LED1, LED2, and LED3 will indicate signal strength.
Note: When checking signal strength, both LED1 and LED3 on the receiver and sensor illuminate in unison if the sensor and receiver are associated. Use this feature to confirm association.
 - Model WDS: Battery life (“[Testing Battery Status](#),” page 134) and signal strength (“[Testing Signal Strength](#),” page 133) are indicated on the display.

Procedure for Testing Receiver

If the receiver is not working as expected:

1. Verify that the receiver is powered.
2. Set the receiver address to 000 to force the zone temperature output and zone temperature setpoint output to their default mode values (see “[Failure and Default Modes](#)”).
3. Measure the receiver output resistance (see “[Measuring Output Resistance](#)”).
4. When the test is complete, reset the receiver address to its previous setting.
5. Press the Test button on the sensor to force re-association.
6. Confirm association and communication by noting LED1, LED2, and LED3 as described in “[Testing Signal Strength](#),” page 133.

Forcing a Sensor to Transmit

To force a wireless sensor to transmit during servicing, press the Test button on the sensor.

Output Power Level

The maximum output power level of a wireless sensor set is controlled by software and restricted by channel of operation and agency requirements per country or region. The sensor has a default maximum power level of 10 mW, but the receiver determines the ultimate output power level of the sensor.

Failure and Default Modes

The following table provides output values for failure and default modes of operation, which can be used for troubleshooting.

Table 69. Output values - failure and default modes of operation

Situation	Zone temperature output	Zone setpoint output	Heating setpoint output	Fan/System output
Receiver address = 000	11.17 k Ω , 72.5°F (22.5°C), indefinitely	451 Ω , 72.5°F (22.5°C), indefinitely	501 Ω , 70.5°F (21.4°C), indefinitely	2320 Ω Fan = Auto System = Off
Receiver address = 001 to 999 and: Receiver is powered up, but not is associated, or Receiver has received a disassociation request from the associated sensor.	11.17 k Ω , 72.5°F (22.5°C) Hold for 15 minutes, then open	451 Ω , 72.5°F (22.5°C), Hold for 15 minutes, then open	501 Ω , 70.5°F (21.4°C), indefinitely	2320 Ω Fan = Auto System = Off
Receiver address = 001 to 999 and receiver has not received a communication within 35 minutes from the associated sensor.	Open	Open	Open	Open
Receiver has no power.	Open	Open	Open	Open
Thermistor in sensor has failed to either open or close.	Open	Normal value	Normal value	n/a
Setpoint potentiometer has failed to either open or close.	Normal value	Open	Open	n/a

Measuring Output Resistance

To measure the resistance of receiver outputs for zone temperature and setpoints for all models, and heating setpoint and fan/system for the WDS:

1. Ensure that the GND-SIGNAL (black) wire and the GND-POWER (yellow) wire are grounded to the transformer.
2. Disconnect the ZONE (white) and SETPOINT (RED) wires from the controller. Disconnect the HEAT SETPOINT (brown) and FAN/SYSTEM (green) wires from the controller, if applicable.
3. Measure resistance as follows:
 - a. All models: Measure between the grounded GND-SIGNAL (black) wire and either the SETPOINT (red) or ZONE (white) wire. Compare resistance measurements to those in table below.

Table 70. Receiver resistance table for all models

Zone or setpoint temperature	Nominal zone temperature output resistance	Nominal setpoint/heating setpoint output resistance
55°F (12.8°C)	17.47 kΩ	792 Ω
60°F (15.6°C)	15.3 kΩ	695 Ω
65°F (18.3°C)	13.49 kΩ	597 Ω
70°F (21.1°C)	11.9 kΩ	500 Ω
75°F (23.9°C)	10.5 kΩ	403 Ω
80°F (26.7°C)	9.3 kΩ	305 Ω
85°F (29.4°C)	8.25 kΩ	208 Ω

- b. WDS only: Measure between the grounded GND-SIGNAL (black) wire and the FAN/SYSTEM (green) wire. Compare resistance measurements to those given in the table below.

Note: The output circuits are not electrically powered; consequently, resistance can be measured without risk of damage to the volt-ohm meter.

Table 71. Receiver resistance table for model WDS

Fan command	Nominal output resistance
High	16,130 Ω
Med	13,320 Ω
Low	10,770 Ω
Auto	2320 Ω
Off	4870 Ω

Cleaning the Sensor

NOTICE:

Equipment Damage!
 Spraying glass cleaner or any other solution directly on the sensor may damage it.

You can clean the sensor by applying glass cleaner to a soft, non-abrasive cloth, and gently wiping the face, including the buttons and LCD display. Use of a pre-moistened towelette designed for lens or screen cleaning is also acceptable.

Avoid inadvertent pressing of the Occupied/Unoccupied buttons on the keypad on the WDS sensor as this may result in an unwanted timed override or settings change.

ZN010, ZN510, and ZN520 Controllers

LED Activity

Green Status LED The green LED normally indicates whether the controller is powered on (24 Vac supplied). Refer to the table below.

Table 72. Green status LED activity for Tracer® ZN010, ZN510, or ZN520 controllers

Green LED Activity	Description
On continuously	Power on (normal operation). The controller is in manual output test mode.
Blinks (one blink)	No diagnostics present. The controller is in manual output test mode.
Blinks (two blinks)	One or more diagnostics are present.
LED blinks (1/4 second on, 1/4 second, off for 10 seconds)	Wink mode. ^(a)
LED off	Power is off. Controller failure. Test button is pressed.

(a) The Wink feature allows you to identify a controller. By sending a request from the Rover service tool, you can request the controller to wink (blink on and off as a notification that the controller received the signal). The green LED blinks (1/4 second on, 1/4 second off for 10 seconds) during Wink mode.

Yellow Comm LED The yellow comm LED blinks at the rate the controller receives communication. The yellow LED does not blink when the controller is transmitting communication data. Refer to the table below.

Table 73. Yellow comm LED activity for Tracer® ZN010, ZN510, or ZN520 controllers

LED Activity	Description
Off continuously	The controller is not detecting any communication. (Normal for standalone applications.)
LED blinks or flickers	The controller detects communication. (Normal for communicating applications, including data sharing.)
LED on continuously	Abnormal condition or extremely high traffic on the link. High traffic on the link.

Diagnostics and Troubleshooting

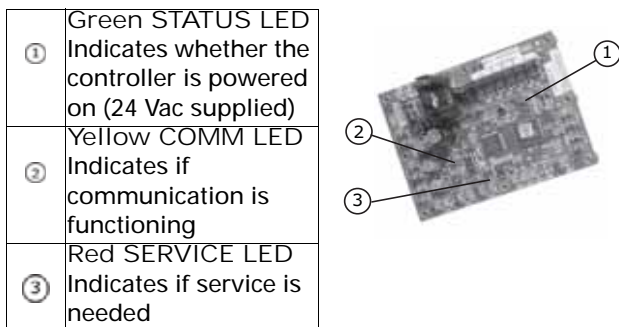
Red Service LED The red LED normally indicates if the unit controller is operating properly or not. Refer to the table below.

Table 74. Red service LED activity for Tracer® ZN010, ZN510, or ZN520 controllers

LED Activity	Description
Off continuously after power is applied to the controller.	Normal operation
On continuously, even when power is first applied to the controller.	Someone is pressing the Service button or the controller has failed.
LED flashes about once every second.	Uninstall (normal controller mode). To restore normal operation, use the Rover service tool.
Black Service push button.	Use the Service button to install the Tracer® ZN520 controller in a communication network.

Note: If the service push button is held down for more than 15 seconds, the Tracer® controller will uninstall itself from the ICS communication network and shut down all unit operation. This mode is indicated by the red Service LED flashing once every second. See the Red Service LED section. Use the Rover service tool to restore the unit to normal operation. Refer to the service tool product literature for more information

Figure 111. LED light status on ZN520 controller



Manual Output Test

The purpose of the manual output test sequence for Tracer® ZN010, ZN510, and ZN520 controllers is to verify output and end device operation. Use the manual output test to:

- Verify output wiring and operation without using Rover, service tool
- Force the water valve to open and balance the hydronic system

Note: The manual output test is not an automatic cycle. You must press the TEST button to proceed through each step.

The controller observes all diagnostics that occur during the test sequence. Although an automatic diagnostic reset sequence exists as part of the controller's normal operation, the automatic diagnostic reset feature is not active during the test sequence.

If left in an individual test step, the controller remains in test mode for 60 minutes and then exits to normal operation.

Many service calls are due to unit diagnostics. The test sequence resets unit diagnostics and attempts to restore normal unit operation prior to testing the outputs. If the diagnostics remain after a reset, the STATUS LED indicates the diagnostic condition is still present (two blinks).

Manual Output Test Procedure

Follow the procedure below to test Tracer® ZN010, ZN510, and ZN520 controllers.

1. Press and hold the TEST button for at least two seconds (not exceeding 5 seconds), and then release, to start the test mode.
2. The test sequence will turn off all outputs and then attempt to clear all diagnostics.
3. Press the TEST button several more times (no more than once per second) to advance through the test sequence.

The outputs are not subject to minimum times during the test sequence. However, the test sequence only permits one step per second which limits minimum output time.

The green LED is turned off when the TEST button is pressed. To begin the manual output test mode, press and hold the TEST button (turning off the green LED) for at least two seconds. The green LED will begin to blink, indicating the controller is in test mode. See the table below.

Table 75. Test sequence for 1-heat/1-cool configurations for Tracer® ZN010, ZN510, and ZN520

Steps	Fan BOP1-3	Cool Output BOP4 ¹	Heat Output BOP5	Damper BOP6
1. Off	Off	Off	Off	Closed
2. Fan High	High	Off ²	Off	Closed
3. Fan Medium	Medium	Off	Off	Closed
4. Fan Low	Low	Off	Off	Closed
5. Cool	High	On	Off	Closed
6. Heat	High	Off	On	Closed
7. Fresh Air Damper	High	Off	Off	Open ³
8. Exit	4			

Notes: ¹For all 1-heat/1-cool applications including 2-pipe changeover, BOP4 energizes in the cooling test stage and BOP5 energizes in the heat test stage. This occurs even though during normal 2-pipe changeover operation BOP4 controls the unit valve for both cooling and heating.

²At the beginning of the Fan High step, the controller attempts to clear all diagnostics

³The fresh air damper (BOP6) only energizes during this step if binary output 6 has been configured as a fresh air damper.

⁴After the Fresh Air Damper step, the test sequence performs the Exit step. This initiates a reset and attempts to return the controller to normal operation

Table 76. Tracer® ZN520 test sequence

Step	Fan		Main Valve J1-3	Electric Heat or Aux. Valve		Fresh Air Damper J1-9	Generic/Baseboard Heat			
	J1-1	J1-2		J1-5	J1-6		J1-10	J1-11	J1-12	TB4-1
1. Off ¹	Off	Off	Off	Off	On EH: off	Off	aux: on	Off	On	Off
2. Fan high ²	High	Off	Off	Off	Off	Off	Off	Off	Off	Off
3. ³	Off		Off	Off	Off	Off	Off	Off	Off	Off
4. Fan low	Off	Off	Low	Off	Off	Off	Off	Off	Off	Off
5. Main open	High	Off	Off	On	Off	Off	Off	Off	Off	Off
6. Main close, EH1 on	High	Off	Off	Off	On	On	Off	Off	Off	Off
7. Aux. open	High EH1 on	Exh ⁴	Off	Off	Off	On	Off	Off	Off	Off
8. Aux. close, damper open	High	Off	Off	Off	Off	Off EH1 off	On EH2 on	On	Off	Off
9. Damper close	High	Off	Off	Off	Off	Off	Off	Off	On	Off
10. Generic/baseboard heat energized	High	Off	Off	Off	Off	Off	Off	Off	Off	On
11. Exit ⁵	Exit									

Notes: ¹Upon entering manual output test mode, the controller turns off all fan and electric heat outputs and drives.

²At the beginning of **Step 2**, the controller attempts to clear all diagnostics.

³The low fan speed output energizes at **Step 3**. If the unit is configured for a 1-speed fan, the fan remains on high speed at **Step 3**.

⁴If the unit is configured for a 1- or 2-speed fan, and BOP2 is configured for an exhaust fan, the exhaust fan output energizes on **Step 7**. The exhaust fan output is shared with medium speed.

⁵After **Step 10**, the test sequence performs an exit. This initiates a reset and attempts to return the controller to normal operation.

Translating Multiple Diagnostics

The controller senses and records each diagnostic independently of other diagnostics. It is possible to have multiple diagnostics present simultaneously. The diagnostics are reported in the order they occur.

Possible diagnostics include:

- Low coil temperature detection
- Condensate overflow
- Low air flow—fan status
- Discharge air temp limit
- Space temperature failure¹
- Entering water temp failure¹
- Discharge air temp failure
- Outdoor air temp failure¹
- Local setpoint failure¹
- Local fan mode failure¹
- CO₂ sensor failure¹
- Generic AIP failure¹
- Humidity input failure¹
- Defrosting compressor lockout¹
- Maintenance required²
- Invalid Unit Configuration²
- Generic temperature failure²
- Discharge air low limit

Resetting Diagnostics

There are seven ways to reset unit diagnostics:

- Automatically by the controller
- By initiating a manual output test at the controller (Tracer® ZN010, ZN510, or ZN520 only)

- By cycling power to the controller
- By using a building automation system
- By using the Rover service tool
- By using any other communicating device able to access the controller's diagnostic reset input (Tracer® ZN510 or ZN520 only)
- By cycling the fan switch from off to any speed setting (Tracer® ZN520 only)

Automatic Reset by the Controller

The controller includes an automatic diagnostic reset function which attempts to automatically restore the unit when a low temperature diagnostic occurs.

Note: The controller implements the automatic diagnostic reset function only once every 24 hours. For the controller to increment the 24-hour timer, you must maintain power to the controller. Cycling power resets all timers and counters.

After the controller detects the first low temperature diagnostic, the unit waits 30 minutes before invoking the automatic diagnostic reset function. The automatic diagnostic reset function clears the special diagnostic and attempts to restore the controller to normal operation. The controller resumes normal operation until another diagnostic occurs.

Note: The automatic diagnostic reset function does not operate during the manual output test sequence.

If a special diagnostic occurs within 24 hours after an automatic diagnostic reset, the controller must be manually reset. Other possible methods of resetting diagnostics are described in the sections that follow.

¹ Non-latching diagnostics automatically reset when the input is present and valid.

² Does not apply to the Tracer® UC400-B controller.



Diagnostics and Troubleshooting

Test Button

You can use the Test button on the controller either during installation to verify proper end device operation or during troubleshooting. When you press the Test button, the controller exercises all outputs in a predefined sequence.

The first and last outputs of the sequence reset the controller diagnostics. See [p. 138](#) for more information about the manual output test.

Table 77. Tracer® ZN010 and ZN510 controller diagnostics

Diagnostic	Latching	Fan	Valves	Electric Heat	Damper
Auxiliary temperature failure	No	Enabled	No action	No action	No action
Condensate overflow detection	Yes	Off	Closed	Off	Closed
Entering water temperature	No	Enabled	Enabled	Enabled	Enabled
Fan mode failure	No	Enabled	Enabled	Enabled	Enabled
Invalid unit configuration failure	Yes	Disabled	Disabled	Disabled	Disabled
Low temperature detection	Yes	Off	Open	Off	Closed
Maintenance required	Yes	Enabled	No action	No action	No action
Setpoint	No	Enabled	No action	No action	No action
Zone temperature failure	No	Off	Closed	Off	Closed

Notes:

1. Priority Level: Diagnostics are listed in order from highest to lowest priority. The controller senses and records each diagnostic independently of other diagnostics. It is possible to have multiple diagnostics present simultaneously. The diagnostics affect unit operation according to priority level.
2. Latching: A latching diagnostic requires a manual reset of the controller; while a non-latching diagnostic automatically resets when the input is present and valid.
3. Enabled: End device is allowed to run if there is a call for it to run.
4. Disabled: End device is not allowed to run even if there is a call for it to run.
5. No Action: The diagnostic has no affect on the end device.

Table 78. Tracer® ZN520 controller diagnostics

Diagnostic	Fan	Other Outputs ¹
Condensate overflow	Off	Valves Closed, Fresh air damper Closed, Electric heat Off, Baseboard heat Off
Low temperature detection	Off	Valves Open, Fresh air damper Closed, Electric heat Off, Baseboard heat Off
Low air flow - fan failure	Off	Valves Closed, Fresh air damper Closed, Electric heat Off, Baseboard heat Off
Space temperature failure	Off	Valves Closed, Fresh air damper Closed, Electric heat Off, Baseboard heat Off
Entering water temp failure	On	Valves Enabled ¹ , Fresh air damper Enabled ² , Electric heat Enabled ² , Baseboard heat Off
Discharge air temp low limit	Off	Valves Open, Fresh air damper Closed, Electric heat Off, Baseboard heat Off
Discharge air temp failure	Off	Valves Closed, Fresh air damper Closed, Electric heat Off, Baseboard heat Off
Fresh air temp failure	On	Valves Enabled, Fresh air damper Minimum position ³ , Electric heat Enabled, Baseboard heat Enabled
Relative humidity failure	On	Valves Enabled, Fresh air damper Enabled, Electric heat Enabled, Baseboard heat Enabled
Generic 4–20mA failure	On	Valves Enabled, Fresh air damper Enabled, Electric heat Enabled, Baseboard heat Enabled
CO ₂ Input failure	On	Valves Enabled, Fresh air damper Enabled, Electric heat Enabled, Baseboard heat Enabled
Maintenance required	On	Valves Enabled, Fresh air damper Enabled, Electric heat Enabled, Baseboard heat Enabled
Local fan mode failure	On	Valves Enabled, Fresh air damper Enabled, Electric heat Enabled, Baseboard heat Enabled
Local setpoint failure	On	Valves Enabled, Fresh air damper Enabled, Electric heat Enabled, Baseboard heat Enabled
Invalid unit configuration	Off	Valves Disabled, Fresh air damper Disabled, Electric heat Disabled, Baseboard heat Disabled
Normal—power up	On	Valves Enabled, Fresh air damper Enabled, Electric heat Enabled

Notes: ¹The generic binary output (TB4-1, TB4-2) state is unaffected by all unit diagnostics.

²When the entering water temperature is required but not present, the Tracer® ZN520 controller generates a diagnostic to indicate the sensor loss condition. The controller automatically clears the diagnostic once a valid entering water temperature value is present (non-latching diagnostic). When the entering water temperature sensor fails, the controller prohibits all hydronic cooling operation, but allows the delivery of heat when heating is required. In the Cool mode, all cooling is locked-out, but normal fan and outdoor air damper operation is permitted.

³When the outdoor air temperature sensor has failed or is not present, the Tracer® ZN520 controller generates a diagnostic to indicate the sensor loss condition. The controller automatically clears the diagnostic once a valid outdoor air temperature value is present (non-latching diagnostic). When the outdoor air temperature sensor fails or is not present, the controller prohibits economizer operation.

Building Automation System

Some building automation systems can reset diagnostics in the Tracer® ZN510 and ZN520 controllers. For more complete information, refer to the product literature for the building automation system.

Diagnostic Reset for Tracer® ZN510 or ZN520 Controllers

Any device that can communicate the network variable nviRequest (enumeration "clear_alarm") can reset diagnostics in the Tracer® ZN510 or ZN520 controller. The controller also attempts to reset diagnostics whenever power is cycled.

Cycling the Fan Switch for Tracer® ZN520 Controller

If the user cycles the fan speed switch from off to any speed, the controller resets all diagnostics. Diagnostics may recur immediately if the problem still exists.

The green LED normally indicates whether or not the controller is powered on (24 Vac).

Fans with ZN010, ZN510, or ZN520 Controllers

Table 79. Fan does not energize

Probable Cause	Explanation
Random start observed	After power-up, the controller always observes a random start that varies between 0 and 30 seconds. The controller remains off until the random start time expires.
Power-up control wait	When power-up control wait is enabled (non-zero time), the controller remains off until one of two conditions occurs: 1. The controller exits power-up control wait once it receives communicated information. 2. The controller exits power-up control wait once the power-up control wait time expires.
Cycling fan operation	When the fan mode switch is in the auto position, the unit fan cycles off when there is no call for heating or cooling. The heating/cooling sources cycle on or off periodically with the unit fan to match the capacity according to pulse width modulation (PWM) logic.
Unoccupied operation	The fan cycles with capacity when the unit is in unoccupied mode. This occurs even if the unit is in continuous fan operation. While unoccupied, the fan cycles on or off with heating/cooling to provide varying amounts of heating or cooling to the space, to match the capacity diagnostics according to pulse-width-modulation (PWM) logic.
Fan mode off	When using the local fan mode switch to determine the fan operation, the off position controls the unit fan to off.
Requested mode: off	It is possible to communicate the operating mode (such as off, heat, and cool) to the controller. When "off" is communicated to the controller, the unit controls the fan to off. The unit is not capable of heating or cooling when the controller is in this mode.
Diagnostic present	A specific list of diagnostics affects fan operation. For more information, see Table 77 and Table 78, p. 140 .
No power to the controller	If the controller does not have power, the unit fan does not operate. For the Tracer® controller to operate normally, it must have an input voltage of 24 Vac. When the green LED is off continuously, the controller does not have sufficient power or has failed.
Unit configuration	The controller must be properly configured based on the actual installed end devices and application. When the unit configuration does not match the actual end devices, the valves may not work correctly.
Manual output test	The controller includes a manual output test sequence to verify binary output operation and the associated wiring. However, based on the current step in the test sequence, the unit fan may not be powered on. Refer to " Manual Output Test ," p. 138.
Unit wiring	The wiring between the controller outputs and the fan relays and contacts must be present and correct for normal fan operation. Refer to the specific unit wiring diagrams on the unit.

Trane Service Tools

Rover, Trane's service tool for the controller, can reset diagnostics present in the controller. For complete information about Rover, refer to:

EMTX-SVX01G-EN Installation, Operation, and Programming: Rover™ Service Tool

Alarm Reset

Any device that can communicate alarm reset information can reset diagnostics present in the controller.

Valves with ZN010, ZN510, or ZN520 Controllers

Table 80. Valves remain closed

Probable Cause	Explanation
Normal operation	The controller opens and closes the valves to meet the unit capacity requirements.
Requested mode: off	It is possible to communicate the operating mode (such as off, heat, and cool) to the controller. When off is communicated to the controller, the unit controls the fan to off. The unit is not capable of heating or cooling when the controller is in this mode.
Valve override	The controller can communicate a valve override request. This request affects the valve operation.
Manual output test	The controller includes a manual output test sequence to verify analog and binary output operation and the associated wiring. However, based on the current step in the test sequence, the valves may not be open. Refer to the "Manual Output Test," p. 138.
Diagnostic present	A specific list of diagnostics affects valve operation. For more information, see Table 77 and Table 78, p. 140 .
Sampling logic	The controller includes entering water temperature sampling logic that automatically invokes during 2-pipe or 4-pipe changeover. It determines when the entering water temperature is either too cool or too hot for the desired heating or cooling mode. Refer to "Water Temperature Sampling Function," p. 104.
Unit configuration	The controller must be properly configured based on the actual installed end devices and application. When the unit configuration does not match the actual end device, the valves may not work correctly.
No power to the controller	If the controller does not have power, the unit fan does not operate. For the Tracer® ZN010, ZN510 controller to operate normally, it must have an input voltage of 24 Vac. When the green LED is off continuously, the controller does not have sufficient power or has failed.
Unit wiring	The wiring between the controller outputs and the valve(s) must be present and correct for normal valve operation. Refer to the unit wiring diagrams on the unit.
Valve configuration	For modulating valves, ensure the stroke time is set correctly. Refer to Table 23, p. 58 .

Table 81. Valves remain open

Probable Cause	Explanation
Normal operation	The controller opens and closes the valves to meet the unit capacity requirements.
Valve override	The controller can communicate a valve override request to affect the valve operation.
Manual output test	The controller includes a manual output test sequence that verifies analog and binary output operation and the associated wiring. However, based on the current step in the test sequence, the valves may be open. Refer to the "Manual Output Test," p. 138.
Diagnostic present	A specific list of diagnostics affects valve operation. For more information, see Table 77 and Table 78, p. 140 .
Sampling logic	The controller includes entering water temperature sampling logic that automatically invokes during 2-pipe or 4-pipe changeover to determine if the entering water temperature is correct for the unit operating mode. Refer to "Water Temperature Sampling Function," p. 104.
Unit configuration	The controller must be properly configured based on the actual installed end devices and application. When the unit configuration does not match the actual end device, the valves may not work correctly.
Unit wiring	The wiring between the controller outputs and the valve(s) must be present and correct for normal valve operation. Refer to the unit wiring diagrams on the unit.
Valve configuration	For modulating valves, ensure the stroke time is set correctly. Refer to Table 23, p. 58 .

Electric Heat with ZN010, ZN510, or ZN520 Controllers

Table 82. Electric heat not operating

Probable Cause	Explanation
Normal operation	The controller cycles electric heat on and off to meet the unit capacity requirements.
Requested mode: off	It is possible to communicate the operating mode (such as off, heat, cool) to the controller. When off is communicated to the controller, the units shuts off the electric heat.
Communicated disable	Numerous communicated requests may disable electric heat, including an auxiliary heat enable input and the heat/cool mode input. Depending on the state of the communicated request, the unit may disable electric heat.
Manual output test	The controller includes a manual output test sequence that verifies analog and binary output operation and associated output wiring. However, based on the current step in the test sequence, the electric heat may not be on. Refer to "Manual Output Test," page 138.
Diagnostic present	A specific list of diagnostics affects electric heat operation. For more information, see "Diagnostics and Troubleshooting," page 130.
Unit configuration	The controller must be properly configured based on the actual installed end devices and application. When the unit configuration does not match the actual end device, the electric heat may not work properly.
No power to the controller	If the controller does not have power, electric heat does not operate. For the controller to operate normally, a 24 Vac input voltage must be applied. When the green LED is off continuously, the controller does not have sufficient power or has failed.
Unit wiring	The wiring between the controller outputs and the electric heat contacts must be present and correct for normal electric heat operation. Refer to the unit wiring diagrams on the unit.
ECM motor/Motor control board failure	ECM controls include sophisticated fan proving / interlock circuitry that will disable electric heat if one or more motors are not performing normally

Electric Heat with ZN010, ZN510, or ZN520 Controllers

Table 82. Electric heat not operating

Probable Cause	Explanation
Hot water is present on a changeover unit	On units with changeover coil and electric heat, simultaneous operation of hydronic heat and electric heat is not allowed.

Fresh Air Damper with ZN010, ZN510, or ZN520 Controllers

Table 83. Fresh air damper stays open

Probable Cause	Explanation
Normal operation	The controller opens and closes the fresh air damper based on the controller's occupancy mode and fan status. Normally, the fresh air damper is open during occupied mode when the fan is running and closed during unoccupied mode.
Manual output test	The controller includes a manual output test sequence that verifies analog and binary output operation and associated output wiring. However, based on the current step in the test sequence, the fresh air damper may not be open. Refer to "Manual Output Test," page 138.
Unit configuration	The controller must be properly configured based on the actual installed end devices and application. When the unit configuration does not match the actual end device, the damper may not work correctly.
Unit wiring	The wiring between the controller outputs and the fresh air damper must be present and correct for normal damper operation. Refer to the unit wiring diagrams on the unit.

Table 84. Fresh air damper stays closed

Probable Cause	Explanation
Normal operation	The controller opens and closes the fresh air damper based on the controller's occupancy mode and fan status. Normally, the fresh air damper is open during occupied mode when the fan is running and closed during unoccupied mode.
Warmup and cooldown	The controller includes both a warmup and cooldown sequence to keep the fresh air damper closed during the transition from unoccupied to occupied. This is an attempt to bring the space under control as quickly as possible.
Requested mode: off	It is possible to communicate the operating mode (such as off, heat, cool) to the controller. When off is communicated to the controller, the unit closes the fresh air damper.
Manual output test	The controller includes a manual output test sequence that verifies analog and binary output operation and associated output wiring. However, based on the current step in the test sequence, the fresh air damper may not be open. Refer to "Manual Output Test," page 138.
Diagnostic present	A specific list of diagnostics effects fresh air damper operation. For more information, see "Diagnostics and Troubleshooting," page 130.
Unit configuration	The controller must be properly configured based on the actual installed end devices and application. When the unit configuration does not match the actual end device, the damper may not work correctly.
No power to the controller	If the controller does not have power, the fresh air damper does not operate. For the controller to operate normally, a 24 Vac input voltage must be applied. When the green LED is off continuously, the controller does not have sufficient power or has failed.
Unit wiring	The wiring between the controller outputs and the fresh air damper must be present and correct for normal damper operation. Refer to the unit wiring diagrams on the unit.

Tracer® UC400-B Controller

LED Activity

LEDs are located on the front of the Tracer® UC400-B controller. The following table provides a description of LED activity, an indication or troubleshooting tip for each, and any related notes.

Diagnostics and Troubleshooting

Table 85. LED activity and troubleshooting tips for Tracer® UC400-B controller

LED Name	Activities	Indication and Troubleshooting Tips	Notes
Marquee LED	Shows solid green when the unit is powered and no alarm exists	Indicates normal operation	When powering the UC400-B and expansion module, the Marquee LED will blink RED , blink GREEN (indicating activated and controller/expansion module are communicating), and then stay GREEN CONTINUOUSLY (indicating normal power operation).
	Shows blinking green during a device reset or firmware download	Indicates normal operation	
	Shows solid red when the unit is powered , but represents low power or a malfunction	If low power ; could be under voltage or the microprocessor has malfunction. Measure for the expected value range. For more information, refer to <i>Installation, Operation, and Maintenance: Tracer® UC400-B Programmable Controller</i> (BAS-SVX20C-EN, or the most recent version). If malfunction ; un-power and then re-power unit to bring the unit back up to normal operation.	
	Shows blinking red when an alarm or fault exists	An alarm or fault condition will occur if the value for a given point is invalid or outside the configured limits for the point. Alarm and fault conditions vary, and they can be configured by the programmer.	
	LED not lit	Indicates power is OFF or there is a malfunction OFF or malfunction ; cycle the power. For more information, refer to <i>Installation, Operation, and Maintenance: Tracer® UC400-B Programmable Controller</i> (BAS-SVX20C-EN, or the most recent version).	
Link and IMC	TX blinks green	Blinks at the data transfer rate when the unit transfers data to other devices on the link	TX LED: Regardless of connectivity or not, this LED will constantly blink as it continually looks for devices to communicate to. LED not lit: Determine if, for example, a Tracer® SC or BACnet device is trying to talk to the controller or if it is capable of talking to the controller. Also determine if the communication status shows down all of the time. In addition, check polarity and baud rate. For more information, refer to <i>Installation, Operation, and Maintenance: Tracer® UC400-B Programmable Controller</i> (BAS-SVX20C-EN, or the most recent version).
	RX blinks yellow	Blinks at the data transfer rate when the unit receives data from other devices on the link ON solid yellow ; indicates there is reverse polarity	
	LED is not lit	Indicates that the controller is not detecting communication Not lit ; cycle the power to reestablish communication	
Service	Shows solid green when the LED has been pressed		When the UC400-B is placed into boot mode, the system will not run any applications such as trending, scheduling, and TGP2 runtime. The controller will be placed into boot mode if the service pin is held in when power is applied. In boot mode, the controller is non-operational and is waiting for a new main application to be downloaded.
	LED not lit	Indicates controller is operating normally	
Binary B01 through B09	Shows solid yellow	Indicates a corresponding binary output has been commanded ON Relay coil ; indicates that a command has been made to energize TRIAC ; indicates that a command has been made to turn ON	If the user is currently powering the UC400-B from a USB port, the Led lights will turn ON . However, the binary outputs <i>will not</i> be activated. Commanded ON ; As an example of commanded ON, a command could be a manual command such as an override or a command could be from TGP2 based on a list of conditions that are met telling these outputs to turn ON. LED not lit:
	LED not lit	Indicates that a relay output is de-energized or no power to the board Not lit ; cycle power to reestablish communication	Did the user command it to be ON? If yes, see the Marquee LED at the top of this table. For more information, refer to <i>Installation, Operation, and Maintenance: Tracer® UC400-B Programmable Controller</i> (BAS-SVX20C-EN, or the most recent version).

Overriding Outputs

Analog and multistate value request points are included in order to safely override outputs without disrupting TGP2 program operation. To override valves and dampers for commissioning or testing purposes, access the following

points on the Tracer® TU analog or multistate status pages:

- Cool valve request
- DX cool request
- Heat valve request

- Electric heat request
- Economizer request
- Supply fan speed active

For more information, refer to: *BAS-SVX20*-EN Tracer® UC400-B Programmable Controller Installation, Operation, and Maintenance.*

Diagnostics

Diagnostics are informational messages that indicate the operational status of the controller. In response to most diagnostics, the controller attempts to protect the equipment by enabling/disabling, or by opening/closing specific outputs. Other diagnostics provide information about the status of the controller, but have no effect on outputs. Diagnostics are reported in the order in which they occur. Multiple diagnostics can be present simultaneously. Diagnostic messages are viewed using the Tracer® TU service tool or through a BAS.

Note: Tracer® TU will report only active diagnostics.

Diagnostics Types

Diagnostics are categorized according to the type of clearing method each uses and the type of information each provides.

The diagnostic types are:

- Manual (latching) diagnostics
- Automatic (non-latching) diagnostics
- Smart reset diagnostics
- Informational diagnostics

Note: Clearing diagnostics refers to deleting diagnostics from the software; it does not affect the problem that generated the message.

Manual (Latching) Diagnostics

Manual diagnostics (also referred to as latching) cause the unit to shut down. Manual diagnostics can be cleared from the UC400-B controller in one of the following ways:

- By using the Tracer® TU service tool to reset latching diagnostics on the Alarms Status tab or by

temporarily overriding the Reset Diagnostic Request (bv/2) on the Binary Status tab.

- Through a building automation system.
- By cycling power to the controller. When the 24Vac power to the controller is cycled OFF and then ON again, a power-up sequence occurs.

Automatic (Non-latching) Diagnostics

Automatic diagnostics clear automatically when the problem that generated the diagnostic is solved.

Smart Reset Diagnostics

Smart Reset Diagnostics are latching diagnostics that will auto-recover if the condition is corrected. After the controller detects the first smart reset diagnostic, the unit waits 30 minutes before initiating the smart reset function. If another diagnostic of this type occurs again within 24 hours after an automatic clearing, clear the diagnostic manually by using any of the ways listed under the preceding section, "[Manual \(Latching\) Diagnostics](#)."

Informational Diagnostics

Informational diagnostics provide information about the status of the controller. They *do not* affect machine operation, but can be cleared from the controller using the BAS or Tracer® SC.

Building Automation System

Some building automation systems can reset diagnostics in the controller. For more complete information, refer to the product literature for the building automation system.

Trane Service Tools

Tracer® TU can be used to reset diagnostics present in a Tracer® UC400-B controller.

Controller Diagnostics

The table below lists each diagnostic that can be generated by the UC400-B controller, the diagnostic effect on outputs (*consequences*), and diagnostic type.

Note: The generic binary output is unaffected by diagnostics.

Table 86. Diagnostics generated by UC400-B controller

Diagnostic	Probable Cause	Consequences	Diagnostic Type
Filter change required	Fan run hours exceed the time set to indicate filter change.	<ul style="list-style-type: none"> • Fan Unaffected • Valves Unaffected • Electric heat Unaffected 	Informational
Condensate overflow	The drain pan is full of water.	<ul style="list-style-type: none"> • Fan OFF • Valves Closed • Outdoor air damper Closed • DX/electric heat OFF 	Manual
Low coil temp detection	The leaving fluid temperature may be close to freezing.	<ul style="list-style-type: none"> • Fan OFF • Valves Open • Outdoor air damper Closed • DX/electric heat OFF 	Smart reset/Manual
Low airflow supply fan failure	The fan drive belt, contactor, or motor has failed.	<ul style="list-style-type: none"> • Fan OFF • Valves Closed • Outdoor air damper Closed • DX/electric heat OFF 	Manual
Space temperature failure ¹	Invalid or missing value for zone temperature.	<ul style="list-style-type: none"> • Discharge air temperature control runs • Unit shuts OFF if both space temperature and discharge air temperature fail 	Automatic

Diagnostics and Troubleshooting

Table 86. Diagnostics generated by UC400-B controller (continued)

Diagnostic	Probable Cause	Consequences	Diagnostic Type
Entering water temp failure	Invalid or missing value for zone temperature.	<ul style="list-style-type: none"> Fan Unaffected (enabled) Valves Unaffected Outdoor air damper Unaffected DX/electric heat Unaffected 	Automatic
Discharge air temp low limit	Discharge air temperature has fallen below the Discharge Air Temperature Low Limit.	<ul style="list-style-type: none"> Fan OFF Valves Open Outdoor air damper Closed DX/electric heat OFF 	Smart reset/manual
Discharge air temp failure ¹	Invalid or missing value for discharge air temperature.	<ul style="list-style-type: none"> Simplified zone control algorithm runs Unit shuts OFF if zone temperature fails 	Automatic
Outdoor air temp failure	Invalid or missing value for outdoor air temperature.	<ul style="list-style-type: none"> Fan Unaffected Valved Unaffected Outdoor air damper Minimum Position DX cooling/electric heat unaffected 	Automatic
Humidity input failure	Invalid or missing value for relative humidity.	<ul style="list-style-type: none"> Fan Unaffected Valves Unaffected Outdoor air damper Unaffected DX cooling/electric heat Unaffected 	Automatic
CO ₂ sensor failure	Invalid or missing value for CO ₂ .	<ul style="list-style-type: none"> Fan Unaffected Valves Unaffected Outdoor air damper Unaffected DX cooling/electric heat Unaffected 	Informational
Generic AIP failure	Invalid or missing value for generic analog input.	<ul style="list-style-type: none"> Fan Unaffected Valves Unaffected Outdoor air damper Unaffected DX cooling/electric heat Unaffected 	Informational
Local fan mode failure	Invalid or missing fan-speed switch (<i>reverts to default fan speed</i>).	<ul style="list-style-type: none"> Fan Unaffected Valves Unaffected Outdoor air damper Unaffected DX cooling/electric heat Unaffected 	Automatic
Local setpoint failure	Invalid or missing value for zone temperature setpoint (<i>reverts to default setpoint</i>).	<ul style="list-style-type: none"> Fan Unaffected Valves Unaffected Outdoor air damper Unaffected DX cooling/electric heat Unaffected 	Automatic

Note: ¹For detailed information about zone temperature control methods, refer to "[Zone Temperature Control](#)," p. 116

Fans with UC400-B Controller

Table 87. Fan does not energize

Probable Cause	Explanation
Unit wiring	The wiring between the controller outputs and the fan relays and contacts must be present and correct for normal fan operation. Refer to applicable wiring diagram.
Failed end device	The fan motor and relay must be checked to ensure proper operation.
Normal operation	The fan will turn OFF when: <ul style="list-style-type: none"> • The controller receives a communicated off signal • The fan-speed switch is set to OFF if no communicated value is present • Specific diagnostics are generated • The default fan speed is set to OFF and the fan is operating in the Auto mode. If the controller is in unoccupied mode, the fan cycles between OFF and the highest fan speed.
No power to the controller	If the controller does not have power, the unit fan does not operate. For the controller to operate normally, it must have an input voltage of 24 Vac. If the Marquee/Power LED is OFF continuously, the controller does not have sufficient power or has failed.
Diagnostic present	Several diagnostics affect fan operation. For detailed information about these diagnostics, refer to Table 86, p. 145 .
Unit configuration	The controller must be properly configured based on the actual installed end devices and application. If the unit configuration does not match the actual end device, the fans may not work correctly.
Random start observed	After power-up, the controller always observes a random start from 5 to 30 seconds. The controller remains OFF until the random start time expires.
Cycling fan operation/continuous	The controller operates the fan when in the occupied, occupied standby, or occupied bypass mode. When the controller is in the unoccupied mode, the fan is cycled between high speed and OFF with capacity.
Unoccupied operation	Even if the controller is configured for continuous fan operation, the fan normally cycles with capacity during unoccupied mode. While unoccupied, the fan cycles ON or OFF with heating/cooling to provide varying amounts of heating or cooling to the space.
Fan mode off	If a local fan mode switch determines the fan operation, the OFF position controls the fan to off.
Requested mode off	The user can communicate a desired operating mode (<i>such as OFF, heat, and cool</i>) to the controller. If OFF is communicated to the controller, the unit controls the fan to off. There is no heating or cooling.

Valves with UC400-B Controller

Table 88. Valves remain closed

Probable Cause	Explanation
Unit wiring	The wiring between the controller outputs and the valve(s) must be present and correct for normal valve operation. Refer to applicable wiring diagram.
Failed end device	The valves must be checked to ensure proper operation.
No power to the controller	If the controller does not have power, the unit valve(s) will not operate. For the controller to operate normally, apply an input voltage of 24 Vac. If the Marquee/Power LED is OFF continuously, the controller does not have sufficient power or has failed.
Diagnostic present	Several diagnostics affect valve operation. For detailed information about these diagnostics, refer to Table 86, p. 145 .
Normal operation	The controller opens and closes the valves to meet the unit capacity requirements.
Unit configuration	The controller must be properly configured based on the actual installed end devices and application. If the unit configuration does not match the actual end device, the valves may not work correctly.
Random start observed	After power-up, the controller always observes a random start from 5 to 30 seconds. The controller remains OFF until the random start time expires.
Requested mode off	The user can communicate a desired operating mode (<i>such as OFF, heat, and cool</i>) to the controller. If OFF is communicated to the controller, the unit controls the fan to off. There is no heating or cooling.
Entering water temperature sampling logic	The controller includes entering water temperature sampling logic, which is automatically initiated during 2-pipe and 4-pipe changeover, if the entering water temperature is either too cool or too hot for the desired heating or cooling.
Valve configuration	Ensure the valves are correctly configured, using the Tracer® TU service tool, as normally open or normally closed as dictated by the application. For modulating valves, ensure the stroke time is set correctly. Refer to Table 23, p. 58 .

Diagnostics and Troubleshooting

Table 89. Valves remain open

Probable Cause	Explanation
Unit wiring	The wiring between the controller outputs and the valve(s) must be present and correct for normal valve operation. Refer to applicable wiring diagram.
Failed end device	The valves must be checked to ensure proper operations.
Normal operation	The controller opens and closes the valves to meet the unit capacity requirements.
Diagnostic present	Several diagnostics affect valve operation. For detailed information about these diagnostics, refer to Table 86, p. 145 .
Unit configuration	The controller must be properly configured based on the actual installed end devices and application. If the unit configuration does not match the actual end device, the valves may not work correctly.
Entering water temperature sampling logic	The controller includes entering water temperature sampling logic, which is automatically initiated during 2-pipe and 4-pipe changeover, if the entering water temperature is either too cool or too hot for the desired heating or cooling.
Valve configuration	Ensure the valves are correctly configured, using the Tracer® TU service tool, as normally open (NO) or normally closed (NC) as dictated by the application. For modulating valves, ensure the stroke time is set correctly. Refer to Table 23, p. 58 .
Freeze avoidance	When the fan is OFF with no demand for capacity (0%), and the outdoor air temperature is below the freeze avoidance setpoint, the controller opens the water valves (100%) to prevent coil freezing. This includes unoccupied mode when there is no call for capacity or any other time the fan is OFF .

DX Coils or Electric Heat with UC400-B Controller

Table 90. DX or electric heat does not energize

Probable Cause	Explanation
Unit wiring	The wiring between the controller outputs and the end devices must be present and correct for normal operation. Refer to applicable wiring diagram.
Failed end device	Check the control contactors or the electric heat element, including any auxiliary safety interlocks, to ensure proper operation.
No power to the controller	If the controller does not have power, heat outputs do not operate. For the controller to operate normally, apply an input voltage of 24 Vac. If the Marquee/Power LED is OFF continuously, the controller does not have sufficient power or has failed.
Diagnostic present	Several diagnostics affect DX and electric heat operation. For detailed information about these diagnostics, refer to Table 86, p. 145 .
Normal operation	The controller controls compressor or electric heat outputs as needed to meet the unit capacity requirements.
Unit configuration	The controller must be properly configured based on the actual installed end devices and application. If the unit configuration does not match the actual end device, DX or electric heat may not operate correctly.
Requested mode off	The user can communicate a desired operating mode (such as OFF , heat, and cool) to the controller. If OFF is communicated to the controller, the unit shuts off the compressor or electric heat.
Freeze avoidance	When the fan is OFF with no demand for capacity (0%), and the outdoor air temperature is below the freeze avoidance setpoint, the controller disables compressors and electric heat outputs (100%) to prevent coil freezing. This includes unoccupied mode when there is no call for capacity or any other time the fan is OFF .

Outdoor Air Dampers with UC400-B Controller

Table 91. Outdoor air damper remains closed

Probable Cause	Explanation
Unit wiring	The wiring between the controller outputs and the outdoor air damper must be present and correct for normal outdoor air damper operation. Refer to applicable wiring diagram.
Failed end device	Check damper actuator to ensure proper operation.
No power to the controller	If the controller does not have power, the outdoor air damper does not operate. For the controller to operate normally, apply an input voltage of 24 Vac. If the Marquee/Power LED is OFF continuously, the controller does not have sufficient power or has failed.
Diagnostic present	Several diagnostics affect outdoor air damper operation. For detailed information about these diagnostics, refer to Table 86, p. 145 .
Normal operation	The controller opens and closes the outdoor air damper based on the controller's occupancy mode and fan status. Normally, the outdoor air damper is open during occupied mode when the fan is running and closed during unoccupied mode.
Unit configuration	The controller must be properly configured based on the actual installed end devices and application. If the unit configuration does not match the actual end device, the outdoor air damper may not work correctly.
Warm-up and cool-down sequence	The controller includes both a morning warm-up and cool-down sequence to keep the outdoor air damper closed during the transition from unoccupied to occupied. This is an attempt to bring the space under control as quickly as possible.
Requested mode off	The user can communicate a desired operating mode (such as OFF , heat, or cool) to the controller. If OFF is communicated to the controller, the unit closes the outdoor air damper.

Table 92. Outdoor air damper remains open

Probable Cause	Explanation
Unit wiring	The wiring between the controller outputs and the outdoor air damper must be present and correct for normal outdoor air damper operation. Refer to applicable wiring diagram.
Failed end device	Check damper actuator to ensure proper operation.
Normal operation	The controller opens and closes the outdoor air damper based on the controller occupancy mode and fan status. Normally, the outdoor air damper is open during occupied mode when the fan is running and closed during unoccupied mode. (Refer to the section, " Modulating Outdoor/Return Air Damper ," p. 118.)
Unit configuration	The controller must be properly configured based on the actual installed end devices and application. If the unit configuration does not match the actual end device, the outdoor air damper may not work correctly.

ECM Motors

⚠ WARNING

Hazardous Voltage w/Capacitors!

Failure to disconnect power and discharge capacitors before servicing could result in death or serious injury. Disconnect all electric power, including remote disconnects and discharge all motor start/run capacitors before servicing. Follow proper lockout/tagout procedures to ensure the power cannot be inadvertently energized. For variable frequency drives or other energy storing components provided by Trane or others, refer to the appropriate manufacturer's literature for allowable waiting periods for discharge of capacitors. Verify with an appropriate voltmeter that all capacitors have discharged.

For additional information regarding the safe discharge of capacitors, see PROD-SVB06A-EN

An electronically commutated motors (ECM) is a closed loop system that has equipment protections and envelope enforcements. Do not assume that the motor has failed without first consulting the VelociTach engine status/diagnostics screen. In many cases, the engine shuts down the motor operation and locks it out to prevent equipment damage.

Electric heat operation and changeover coil control on CSTI units are coordinated by the VelociTach motor control board. Changeover function on Tracer® ZN units can also be affected by incorrect configuration of the VelociTach motor control board or improper wiring of terminals to analog input 1 on the Tracer® ZN controller (polarity sensitivity).

The mini-access lid on the front of the main control panel lid has the VelociTach troubleshooting/setup guide affixed to the back of the lid. This guide is unit-specific and should be consulted before determining the disposition of a unit.

The adapter boards contain high voltage. Configuration adjustments to the VelociTach board should be made through the SMALLER of the two low-voltage lids on the front of the control panel, through the low-voltage insulation/shielding.

⚠ WARNING

Hazardous Voltage!

Failure to disconnect power before servicing could result in death or serious injury. Disconnect all electric power, including remote disconnects before servicing. Follow proper lockout/tagout procedures to ensure the power can not be inadvertently energized.

General Information

The VelociTach motor control board oversees and monitors all motor operations and changes to speed resulting from:

- Direct fan speed requests
 - Customer fan speed switches
 - Thermostat fan speed, On or 0–10V requests
 - Automatic fan request from Tracer® ZN / UC controllers
- Indirect fan speed requests
 - Electric heat requests will bring the fan to the proper speed.
- Conflicting fan speed requests
 - If two or more commands are received (direct or indirect), the fan will honor the higher speed requested.

Note: In some cases, indirect requests will result in fan behavior change regardless of whether the end-device fails to actuate (due to device failure, or safety/down-stream lockouts).

The VelociTach motor control board also coordinates the operation of electric heat, electric/hydronic heat lockouts, and CSTI changeover coil operation.

Troubleshooting Tips

- VelociTach motor control board configuration must perfectly match the factory-supplied ECM.
 - Refer to “[Adjustments](#),” p. 72 for configuration of the motor control board.
- The VelociTach motor control board will display troubleshooting information, and contains dual tachometers to aid in performance verification.
- Under normal circumstances, the VelociTach display will display the operational status of the motors and electric heat circuit/sensors, however, a malfunction will drive a priority display mode that will present the error code instantly to the screen. The error must be cleared by solving by powering down, removing the cause of the problem and restarting the engine board.
- VelociTach label (see “[Motor control board label](#),” p. 76) setup document (affixed to the back of the low voltage access lid) should be used to verify engine configuration settings.
- For proper operation of the system, all plugs must be firmly seated in all boards and motors. Insecure connections will cause malfunction and the system will shutdown.
- Do not unplug or plug-in motors or connectors while the system is receiving a speed request of any kind. The system must be powered down before plugging or un-plugging connections to the adapter boards, engine boards or motors. Failure do so will register diagnostics or cause unsafe operation and reduction in the contact life of the connectors.
- The motor will not spin if plugged in while the ECM engine is requesting power.

Motor

The motor connections and motor plug connections to the adapter boards should be secure. Unit should be powered off to check the fit of the connectors.

When configured correctly, the system will always respond positively to direct, indirect, and conflicting speed requests with very few exceptions.

Table 93. Motor does not spin, spins too slowly

Situation	Probable Cause	Solution
Motor has been locked out due to engine locked rotor protection	Motor 1 has an obstruction. "Status Display" will be interrupted to display: LOCK → Mtr1 → LRPT	<ul style="list-style-type: none"> Remove obstruction from the fan wheel. Ensure that motor plugs and all plugs to adapter boards and the ECM engine board are secure Verify that the configuration does not specify a motor that is physically missing. Most units require only one motor. The controller is made aware of the missing motor by specifying all speeds related to Motor 2 to 0 rpm. Verify that M1Lo and M2Lo, the low motor signal output limits, are set correctly.
Motor has been locked out due to overspeed or runaway condition	Motor 1 has an overspeed condition. The "Status Display" will be interrupted to display: Ospd → Mtr1 → Ospd	<ul style="list-style-type: none"> Ensure that set-screw is attached firmly to the motor shaft. Ensure that motor plugs and all plugs to adapter boards and the ECM engine board are secure. Verify that the configuration does not specify a speed lower than 450 rpm for the affected motor. Speeds below 450 rpm are not supported on fan-coil units.
VSP Inputs (0–10V inputs) are of the wrong polarity	Variable speed (VSP) inputs may not be properly wired to 1TB4	<ul style="list-style-type: none"> Do not short the courtesy 10 VDC supply to chassis or loads that require greater than 10 mA of DC current. Observe proper polarity of 0–10 VDC inputs. Failure to observe proper polarity can cause failure of the VelociTach motor control board, the customer-supplied controller, or the Tracer® ZN controller.
Customer Controller output signal to VSP Inputs are too low. Note: If the customer supplied controller outputs signals that are below the noise threshold, they will be ignored by the ECM Engine.	Noise floor is set too high.	<ul style="list-style-type: none"> The VelociTach motor control board contains an adjustable noise floor parameter, vlfir that can be configured to reject signals below the noise floor. The noise floor parameter is set too high, it can be lowered as long as there are acceptable noise levels on the inputs lines.

Typical equipment and controls design practice will ensure that the fans will come on if there is a call for heat, cool, or ventilation. In most cases, we will depend on the controller/thermostat to call for the fan to come on when appropriate, but during calls for electric heat, or calls for heat on CSTI units equipped with electric heat, as a call for the appropriate fan speed. This behavior, as described previously, is an indirect request.

When a call for electric heat is made, the system will positively drive the fan on to the correct speed, regardless of whether the controller has asked for fan operation or not. The unit design incorporates an interlock instead of a lock-out. (It does not lock out electric heat if the fan is set to off; it brings the fan on.)

Notes: In many cases, indirect requests will result in fan behavior change regardless of whether the end-device fails to actuate (due to device failure, or safety/down-stream lockouts). If there is hot water available on CSTI units with changeover coils and electric heat, we will still drive the fan to the appropriate electric heat speed.

Notes: The new fan coil designs incorporate sophisticated fan interlocks that will lockout heat if there is a fan failure.

If the preceding conditions do not describe the behavior of the unit, the following checks should be performed:

Table 94. Motor spins too fast or spins without any apparent speed request

Situation	Probable Cause
Motor not controllable	Verify that the voltage jumper on the motor plug harness is absent for 208-230V units and 277V units. If the jumper is present for these units, the motor electronics will be damaged, and the motor will not be controllable.
Fan speed request too low	Verify that the fan speed request is not below 450 rpm. Speeds below 450 rpm are not supported on the fan coil product.
Inputs not of consistent polarity	Verify that the all binary inputs to the customer terminal blocks are of proper and consistent polarity. <ul style="list-style-type: none"> For CSTI units, the fan inputs and end device inputs on TB3 must receive signals that are 24 Vac with respect to the unit chassis. For Fan Speed Switch (FSS) units, that incorporate the Tracer® ZN/CSTI adapter board, all inputs to TB3 must be 24 Vac with respect to unit chassis. For Tracer® ZN units, where there is a desire to use parallel fan inputs on the adapter board TB3 strip, the inputs must be COM (i.e., the inputs will honor only 0 V with respect to unit chassis). Note: Do not short 24 Vac (pos 1 or pos 2) to chassis; refer to the unit schematic.
Failure of motor control board	Verify that variable speed (VSP) inputs are properly wired to 1TB4. <ul style="list-style-type: none"> Do not short the courtesy 10 VDC supply to chassis or loads that require greater than 10 mA of DC current. Please observe proper polarity of 0-10 VDC inputs. Failure to observe proper polarity can cause failure of the VelociTach motor control board, the customer-supplied controller or the Tracer® ZN controller.
Output signals being ignored	Verify that the signal on the VSP inputs is noise free. The VelociTach motor control board contains an adjustable noise floor parameter, vflr , that can be configured to reject signals below the noise floor. <ul style="list-style-type: none"> If the customer supplied controller outputs signals that are below the noise threshold, they will be ignored by the ECM engine.
Motor spinning too fast	Verify that VSP input settings are correct. The motor control board contains an adjustable digital amplifier, AiSc , to compensate for long 10 VDC cable runs. For normalized (0-10 VDC) signals, this setting should be set to 1.000. If it is set too high, the motors will run faster than the requested ratio, and will hit the limit Ahm1 before the input voltage has reached its upper limit.
Motor not controllable	Verify that M1Lo and M2Lo , the low motor signal output limits, are set correctly.

Replacing ECM Components

⚠ WARNING

Hazardous Voltage w/Capacitors!

Failure to disconnect power and discharge capacitors before servicing could result in death or serious injury. Disconnect all electric power, including remote disconnects and discharge all motor start/run capacitors before servicing. Follow proper lockout/tagout procedures to ensure the power cannot be inadvertently energized. Verify with an appropriate voltmeter that all capacitors have discharged.

For additional information regarding the safe discharge of capacitors, see PROD-SVB06A-EN

Replacement Guidelines

- ECM motors contain capacitors which store residual energy. Please keep clear of the fan wheels for five minutes after the power has been removed from the system, as a power request with the motor powered off, could result in a very short period of actuation. Unplugging the motor is adequate to ensure that there will be no power request.
- Configuration adjustments to the VelociTach motor in accordance with the parameters that are printed on the label adjacent to the VelociTach board. These parameters reflect the factory settings for the unit. Subsequent changes to parameters made during commissioning will not be reflected in the printed parameters.
- Initial hookups to the CSTI and standard adapter board, including low voltage interconnections, must be made with the power off.
- Do not make connections to the motors or the adapter boards while power is ON. Do not remove connections to the motor or the adapter boards while the power is ON.
- Caution should be taken to stay clear of hazardous voltages, moving parts and electric heat elements while making adjustments to the VelociTach motor control board. If it is not practical to stay clear of these areas during adjustment, please contact Trane Global Parts for configuration kit that allows easy powering of the engine board outside of the unit with a 9V battery.
- For safe operation, it is necessary to configure replacement boards to match the setup/switch configuration of the previously installed boards.
- Ensure that new circuit modules are firmly seated on the nylon standoffs, and that the nylon standoffs are firmly seated on the metal panel
- Ensure that drip-loops are maintained on wiring on pipe end of unit to avoid wicking of water into the unit.
- Before assuming that any of the boards or components in the new system have failed, please ensure that the VelociTach motor control board has been configured correctly and that the switches on the CSTI board (where applicable) are set correctly.
- It is necessary to configure the service replacement VelociTach motor control board before commissioning the unit. The board is pre-configured with safe values, but will NOT work correctly unless properly configured. The factory shipped parameter settings are on the label adjacent to the VelociTach.
- Only genuine Trane replacement components with identical Trane part numbers should be used.

- Unit fan assemblies contain concealed wires that should be removed before the fan-board is removed, to avoid nicking the wire.
- Care should be maintained to retain the order of the motors with respect to the motor plugs. On a unit with two motors, the double-shafted motor will always be to the left side, and will be designated as Motor 2 by the controller.

Replacement Checklist

NOTICE:

Equipment Damage!

Failure to follow this instruction could result in equipment damage. The motor harness attached to the single plug to which the motor mates contains the very important 115V motor voltage jumper; the motor harness should always be present for 115V units and should not be modified or substituted.

<input type="checkbox"/>	Ensure that motor nameplate voltage is the same as unit voltage (for 3-phase/ 4-wire units with Neutral, motor voltage will be L-N, not L1-L2).
<input type="checkbox"/>	Ensure that motor harness is correct (harness will have jumper installed for 115V units only).
<input type="checkbox"/>	Ensure that configuration on the VelociTach motor control board matches the affixed label.
<input type="checkbox"/>	Maintain correct plug/motor association. The plugs will have the motor number and shaft configuration printed on an affixed label.
<input type="checkbox"/>	Ensure that configuration of switches on CSTI adapter board matches depiction of switches on the unit schematic.
<input type="checkbox"/>	Ensure that all wires are plugged in securely.
<input type="checkbox"/>	Ensure that edge protection on sharp edges, grommets, and wire management devices are maintained when replacing components.
<input type="checkbox"/>	Ensure that blunt-tip screws are used when in the proximity of wire harnesses.

Circuit Module Replacement

1. Circuit modules are equipped with nylon standoffs which can either be removed by squeezing the barbs at the rear of the control panel, or squeezing the latch above the circuit module. If the latter method is chosen, the standoffs will be retained on the metal panel. The new standoffs (affixed to the replacement modules) can be removed if necessary, so the new module circuit board can be attached to the retained standoffs.

Figure 112. Remove PCB



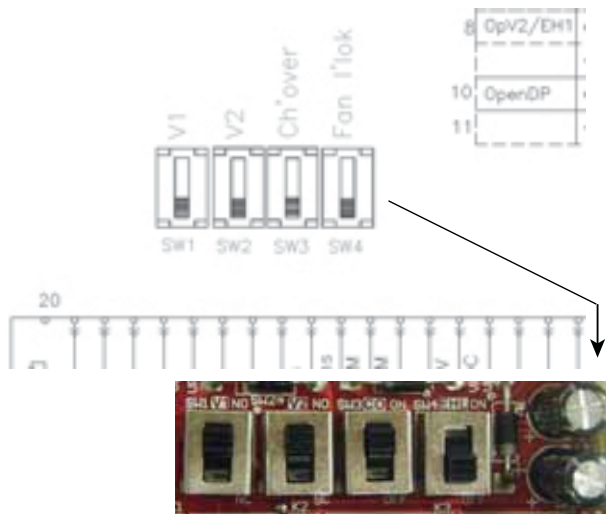
2. If replacing the VelociTach motor control board, special care should be taken to avoid electro-static discharge damage. Please use an ESD protection wrist-strap and frequently touch a grounded surface (with unit power off) to discharge any static buildup.
3. Replace connectors carefully onto the appropriate board.
4. Ensure that the new VelociTach motor board controller is configured to match the configuration label that is present on the unit. It is necessary to configure the VelociTach board to avoid improper operation of the unit, discomfort to the end user, and loud fan operation.

Figure 113. Configure VelociTach board



5. Ensure that the CSTI adapter board switches are set correctly, as indicated in the unit schematic (where applicable) shown in [Figure 114](#).

Figure 114. Ensure CSTI adapter board switches are set correctly



- After replacing modules, commission the unit by performing at a minimum, “Fan Speed Response Verification,” p. 79.

Application Notes

The ECM motor has some notable differences to traditional designs.

RPM Mode

The motors are programmed from the factory to run in rpm mode and will not change rpm based on external static pressure, except at the performance limits of the motor/controller. For ducted units, the units are shipped with the rpm set for 0.2 inches ESP for High, Medium, and Low speeds. The speeds can be manually changed for high, medium, and low operation, but shall not be changed for the electric heat actuation speeds.

Generally, the fans deliver less cfm for the same rpm, if the static is increased and the power will decrease. The fan will deliver more cfm for the same rpm, if the static is decreased and the fan power will increase. A unit with high static configuration should not be used to free-deliver air (i.e., with no ducting attached).

Field Power Wiring

This motor uses an electronic variable speed motor control, which includes a line reactor to minimize power line harmonic currents. It is recommended that good wiring practices be followed to manage building electrical power system harmonic voltages and currents to avoid electrical system problems or other equipment interaction.

Performance Boundaries

While the speeds of the fan motors can be adjusted, never program a fan speed higher than 1700 rpm, or lower than 450 rpm. In many cases, units configured for high-static operation will not achieve the desired rpm if the ESP of the unit is too low, or the unit is allowed to “free-discharge.” The VelociTach motor control board contains settings that will limit the output power of the motor under these overload conditions. If the motors cannot achieve rpm close to the target for a specific period of time, the unit will disable electric heat and fan-status indicators.

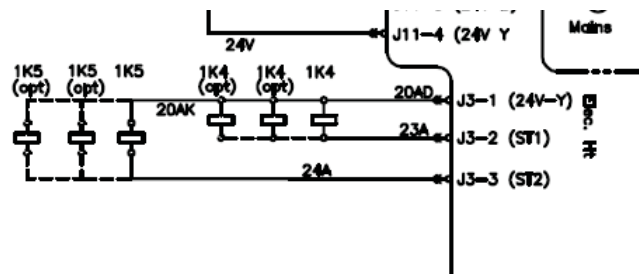
MCA/MOP and Power Draw

ECM motors have variable output but are shipped at specific settings to deliver proper performance and reliability. The power draw indicated in the catalog indicates the power consumed when applied properly (as shipped and with the nominal ESP applied). However, the nameplate of the unit indicates the maximum input draw of the motor, as the motor settings can be changed to draw more power.

Electric Heat Relays

For quiet operation, units employ power relays instead of definite purpose contactors for electric heat actuation. The coils of multiple relays are hooked in parallel to simulate a multi-pole contactor, as shown in Figure 115. In Figure 115, two sets of three relays are used to perform the function of a two 3-pole contactors.

Figure 115. Sample arrangement: electric heat relay



Troubleshooting Other Unit Functions

In some cases, the normal or abnormal operation of the ECM may interact with other components in the system. Generally, verification of the engine and adapter boards' wiring and configuration should be checked if there are unexplained abnormalities in other areas of the unit:

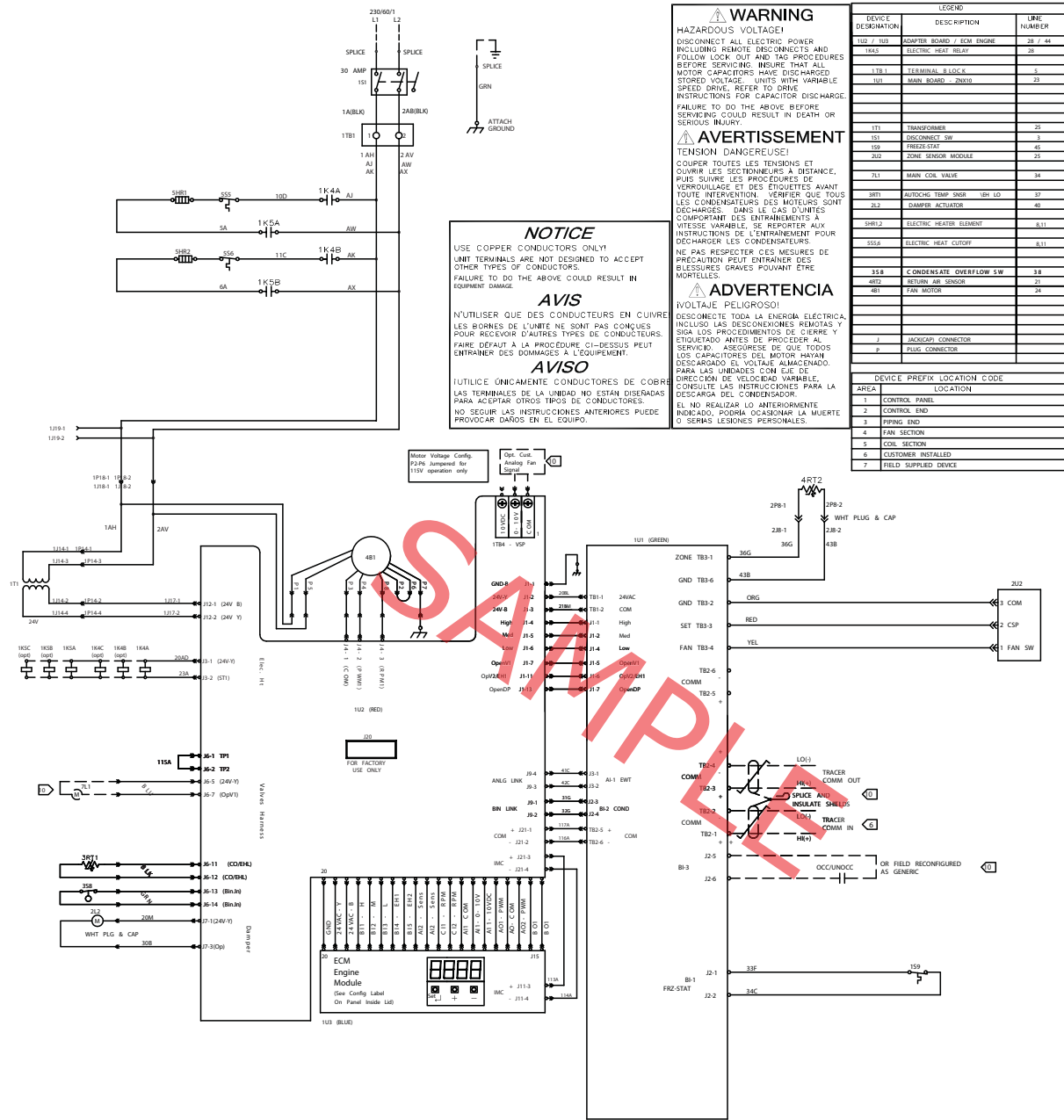
- Valve operation
- Electric heat operation
- Entering water temperature operation
- Damper operation
- Condensate overflow switch

A high degree of protection is provided on electric heat units. If electric heat fails to actuate, it may be because of one of the following events:

- Fans are failing to meet target speed. If a second motor is not present, all settings for speeds for Motor 2 should be set to 0000.
- Hot water may be available in the changeover coil.
- The connection to analogue input 1 on the Tracer® ZN controller may be reversed in polarity.
- Target speeds for motors may be set too high:
 - The **FPRV** parameter may be set incorrectly.
 - The **AiPU** parameter may be set incorrectly.

Wiring Diagrams

Table 95. Typical wiring diagram for ZN010 unit with single stage electric heat and unit mounted zone sensor



WARNING
HAZARDOUS VOLTAGE!
DISCONNECT ALL ELECTRIC POWER INCLUDING REMOTE DISCONNECTS AND FOLLOW LOCK OUT AND TAG PROCEDURES BEFORE SERVICING. INSURE THAT ALL MOTOR CAPACITORS HAVE DISCHARGED STORED VOLTAGE. UNITS WITH VARIABLE SPEED DRIVE, REFER TO DRIVE INSTRUCTIONS FOR CAPACITOR DISCHARGE. FAILURE TO DO THE ABOVE BEFORE SERVICING COULD RESULT IN DEATH OR SERIOUS INJURY.

AVERTISSEMENT
TENSION DANGEREUSE!
COUPER TOUTES LES TENSIONS ET OUVRIR LES SECTIONNEURS A DISTANCE, PUIS SUIVRE LES PROCEDURES DE VERROUILLAGE ET DES ETIQUETTES AVANT TOUTE INTERVENTION. VERIFIER QUE TOUTS LES CONDENSATEURS DES MOTEURS SONT DECHARGES. DANS LE CAS D'UNITES COMPORTANT DES ENTRAÎNEMENTS A VITESSE VARIABLE, SE REPORTER AUX INSTRUCTIONS DE L'ENTRAÎNEMENT POUR DECHARGER LES CONDENSATEURS. NE PAS RESPECTER CES MESURES DE PRECAUTION PEUT ENTRAINER DES BLESSURES GRAVES POUVANT ETRE MORTELLES.

ADVERTENCIA
¡VOLTAJE PELIGROSO!
DESCONECTE TODA LA ENERGIA ELECTRICA INCLUIDO LAS DESCONECIONES REMOTAS Y SIGA LOS PROCEDIMIENTOS DE CIERRE Y ETIQUETADO ANTES DE PROCEDER AL SERVICIO. ASEGURESE DE QUE TODOS LOS CAPACITORES DEL MOTOR HAYAN DESCARGADO EL VOLTAJE ALMACENADO. PARA LAS UNIDADES CON CEE DE DIRECCION DE VELOCIDAD VARIABLE, CONSULTE LAS INSTRUCCIONES PARA LA DESCARGA DEL CONDENSADOR. EL NO REALIZAR LO ANTERIORMENTE INDICADO, PODRIA OCASIONAR LA MUERTE O SERIAS LESIONES PERSONALES.

NOTICE
USE COPPER CONDUCTORS ONLY. UNIT TERMINALS ARE NOT DESIGNED TO ACCEPT OTHER TYPES OF CONDUCTORS. FAILURE TO DO THE ABOVE COULD RESULT IN EQUIPMENT DAMAGE.

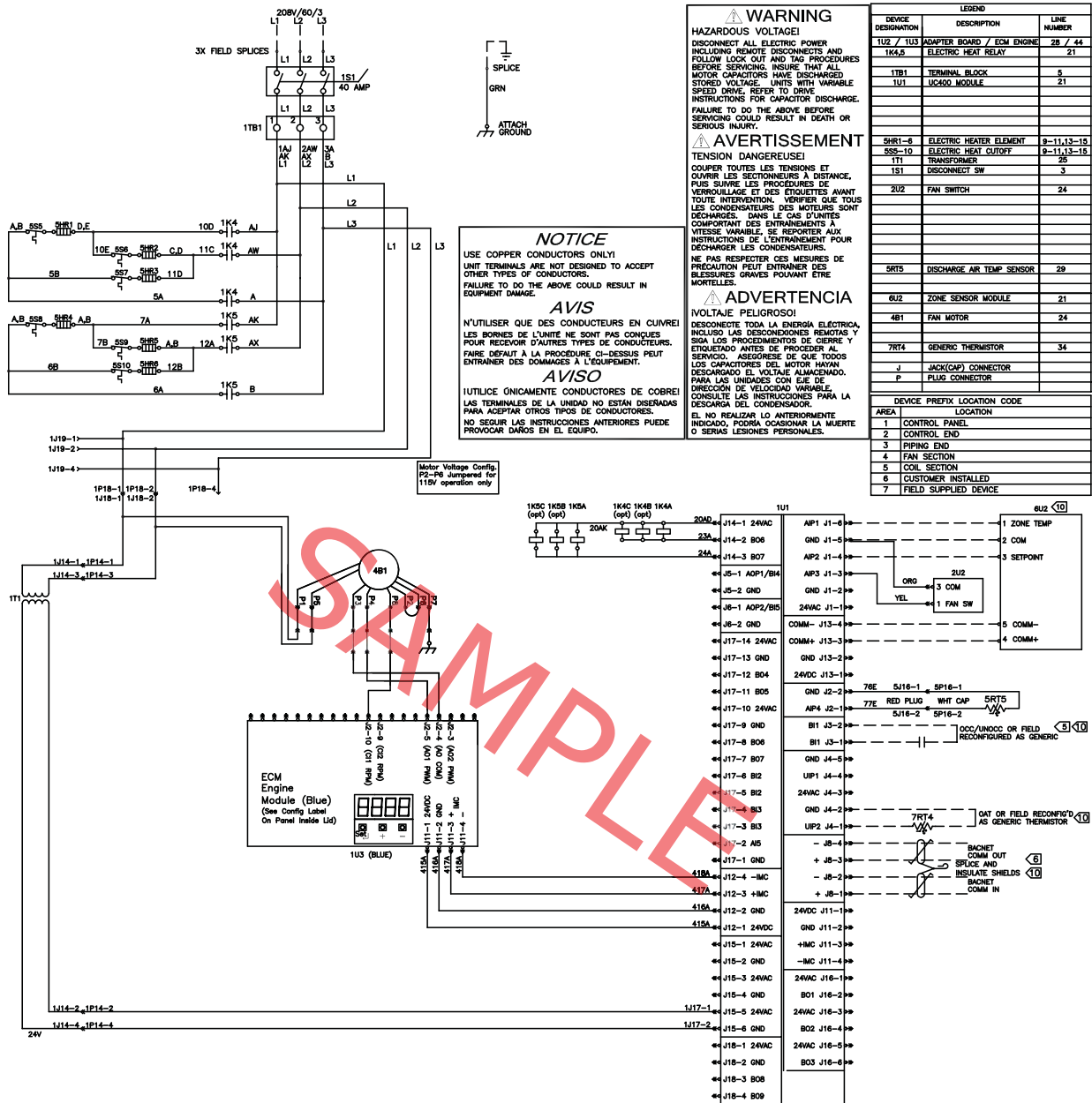
AVIS
N'UTILISER QUE DES CONDUCTEURS EN CUIVRE. LES BORNES DE L'UNITÉ NE SONT PAS CONÇUES POUR RECEVOIR D'AUTRES TYPES DE CONDUCTEURS. FAIRE DÉFAUT À LA PROCÉDURE CI-DESSUS PEUT ENTRAINER DES DOMMAGES À L'ÉQUIPEMENT.

AVISO
UTILICE ÚNICAMENTE CONDUCTORES DE COBRE. LAS TERMINALES DE LA UNIDAD NO ESTÁN DISEÑADAS PARA ACEPTAR OTROS TIPOS DE CONDUCTORES. NO SEGUIR LAS INSTRUCCIONES ANTERIORES PUEDE PROVOCAR DAÑOS EN EL EQUIPO.



- NOTES:
- UNLESS OTHERWISE NOTED, ALL SWITCHES ARE SHOWN AT 25° C (77° F), AT ATMOSPHERIC PRESSURE, AT 50% RELATIVE HUMIDITY, WITH ALL UTILITIES TURNED OFF, AND AFTER A NORMAL SHUTDOWN HAS OCCURRED.
 - DASHED LINES INDICATE RECOMMENDED FIELD WIRING BY OTHERS; DASHED LINE ENCLOSURES AND/OR DASHED DEVICE OUTLINES INDICATE COMPONENTS PROVIDED BY THE FIELD. SOLID LINES INDICATE WIRING BY TRANE CO.
 - NUMBERS ALONG THE RIGHT SIDE OF THE SCHEMATIC DESIGNATE THE LOCATION OF CONTACTS BY LINE NUMBER.
 - ALL FIELD WIRING MUST BE IN ACCORDANCE WITH THE NATIONAL ELECTRIC CODE (NEC), STATE AND LOCAL REQUIREMENTS. ALL FIELD WIRING MUST HAVE AN INSULATION VOLTAGE RATING THAT EQUALS OR EXCEEDS UNIT RATED VOLTAGE.
 - COMMUNICATION WIRE MUST BE TRANE PART NO. 400-20-28, OR WINDY CITY OR CONNECT AIR "LEVEL 4" CABLE. MAXIMUM OF 4500 FOOT AGGREGATE RUN. CAUTION! DO NOT RUN POWER IN THE SAME CONDUIT OR WIRE BUNDLE WITH COMMUNICATION LINK. FOR ADDITIONAL INFORMATION REFER TO EMAT-EE-66.
 - RPM TO CFM CALIBRATION LINE DEPICTS THE INTENDED OPERATION RANGE FOR HORIZONTAL CONCEALED UNITS AND SHALL NOT BE USED FOR PERFORMANCE CALCULATIONS.
 - INCREASING SPEED PAST THE MAXIMUM VALUE SHOWN IN THE CALIBRATION LINE MAY RESULT IN WATER CARRY OVER.
 - UNITS WITH ELECTRIC HEAT WILL NOT OPERATE BELOW MINIMUM REQUIRED CFM.
 - USE CLASS 2 WIRING.
- 1U1'S GENERIC BINARY OUTPUT IS RATED 24VAC, 12VA, PILOT DUTY.

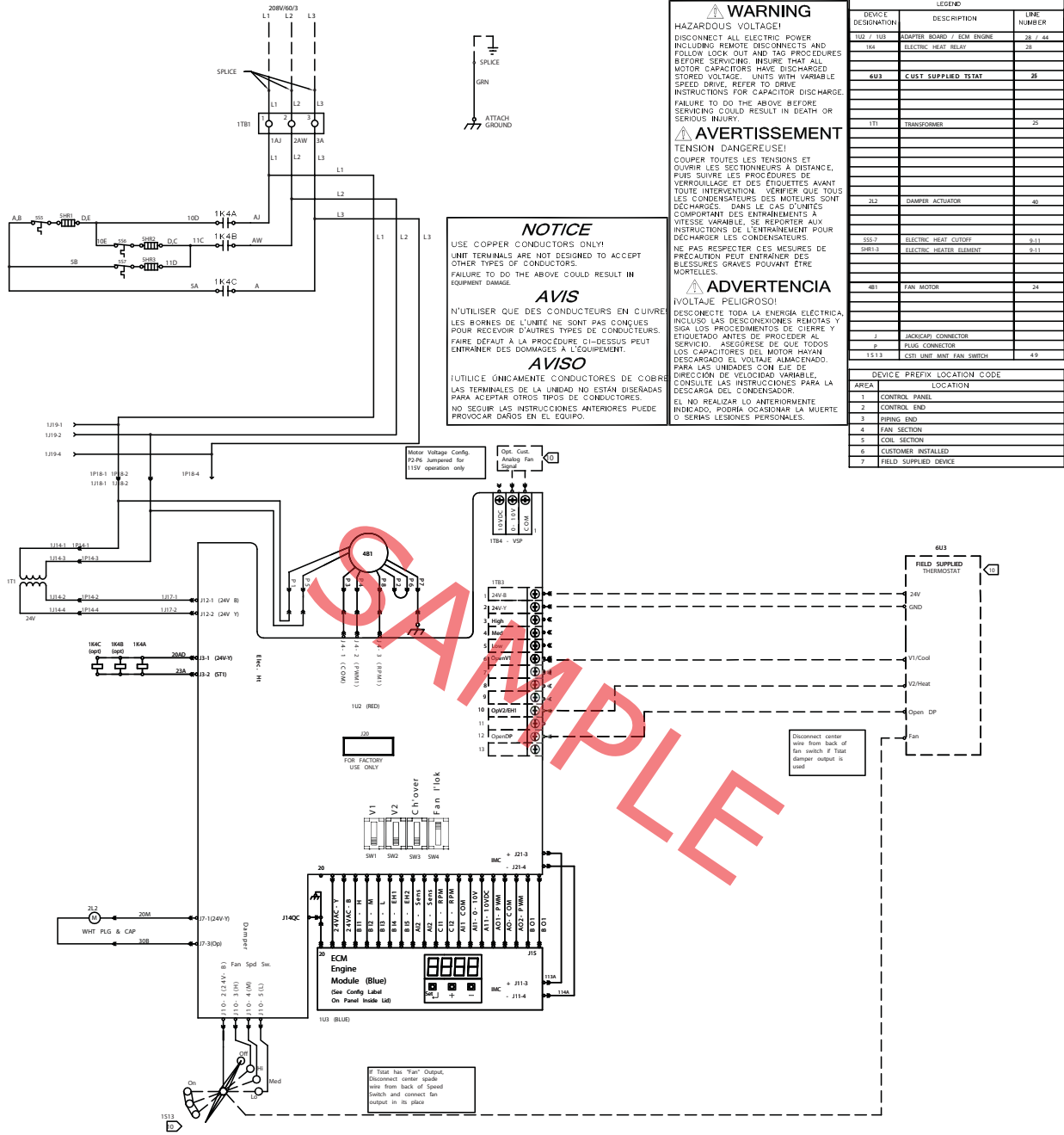
Table 96. Typical wiring diagram for UC400-B unit with dual stage electric heat and damper actuator



- NOTES:
- UNLESS OTHERWISE NOTED, ALL SWITCHES ARE SHOWN AT 25° C (77° F), AT ATMOSPHERIC PRESSURE, AT 50% RELATIVE HUMIDITY, WITH ALL UTILITIES TURNED OFF, AND AFTER A NORMAL SHUTDOWN HAS OCCURRED.
 - DASHED LINES INDICATE RECOMMENDED FIELD WIRING BY OTHERS. DASHED LINE ENCLOSURES AND/OR DASHED DEVICE OUTLINES INDICATE COMPONENTS PROVIDED BY THE FIELD. SOLID LINES INDICATE WIRING BY TRANE CO.
 - NUMBERS ALONG THE RIGHT SIDE OF THE SCHEMATIC DESIGNATE THE LOCATION OF CONTACTS BY LINE NUMBER.
 - ALL FIELD WIRING MUST BE IN ACCORDANCE WITH THE NATIONAL ELECTRIC CODE (NEC), STATE AND LOCAL REQUIREMENTS. ALL FIELD WIRING MUST HAVE AN INSULATION VOLTAGE RATING THAT EQUALS OR EXCEEDS UNIT RATED VOLTAGE.
- ① U1'S GENERIC BINARY OUTPUT IS RATED 24VAC, 12VA, PILOT DUTY.

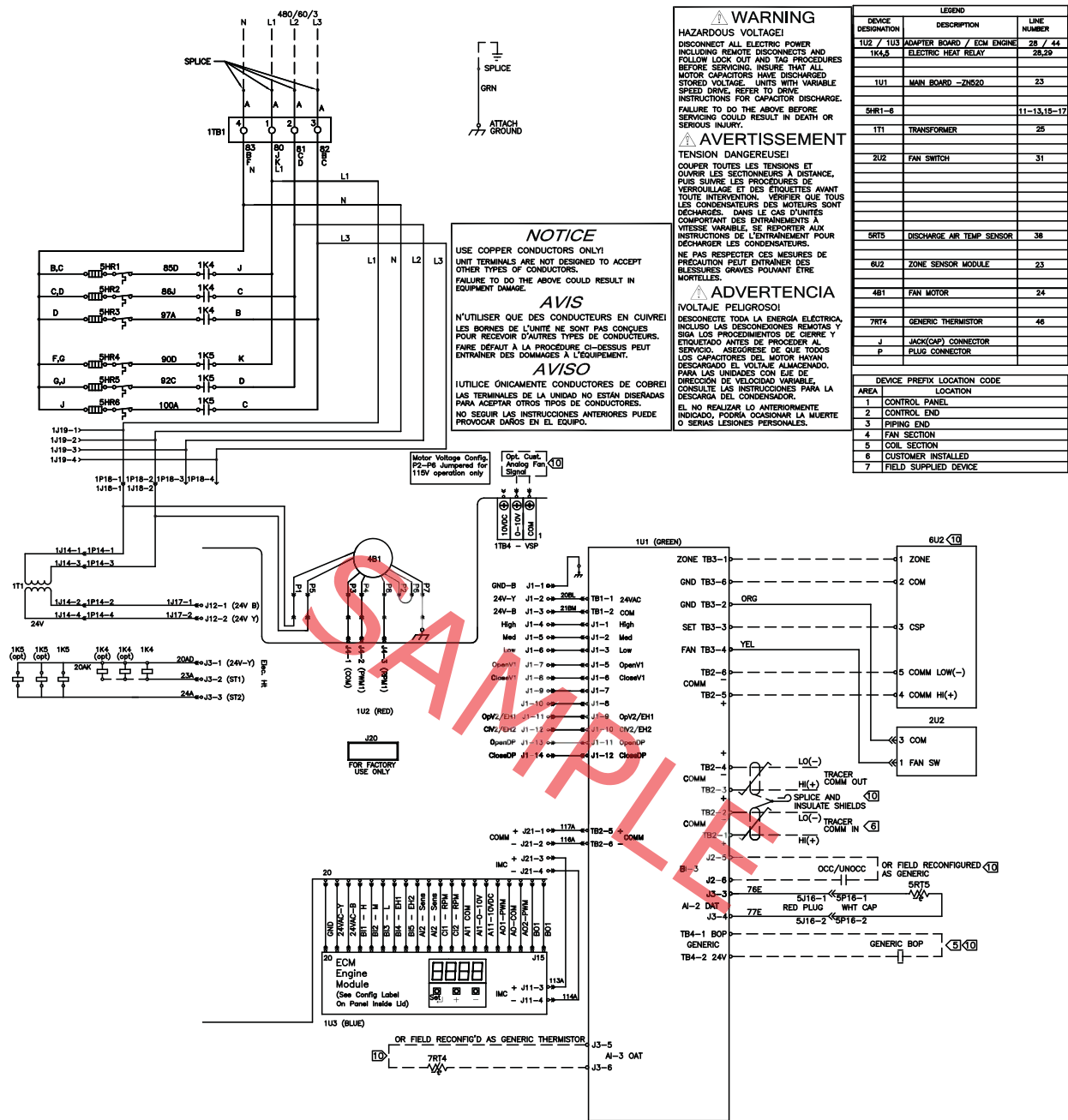
- ② COMMUNICATION WIRE MUST BE TRANE PART NO. 400-20-28, OR WINDY CITY OR CONNECT AIR "LEVEL 4" CABLE. MAXIMUM OF 4500 FOOT AGGREGATE RUN. CAUTION: DO NOT RUN POWER IN THE SAME CONDUIT OR WIRE BUNDLE WITH COMMUNICATION LINK. FOR ADDITIONAL CONDUIT OR WIRE BUNDLE WITH COMMUNICATION INFORMATION REFER TO EMTX-EB-88.
- 7 RPM TO CFM CALIBRATION LINE DEPICTS THE INTENDED OPERATION RANGE FOR HORIZONTAL CONCEALED UNITS AND SHALL NOT BE USED FOR PERFORMANCE CALCULATIONS.
- 8 INCREASING SPEED PAST THE MAXIMUM VALUE SHOWN IN THE CALIBRATION LINE MAY RESULT IN WATER CARRY OVER.
- 9 UNITS WITH ELECTRIC HEAT WILL NOT OPERATE BELOW MINIMUM REQUIRED CFM.
- ⑩ USE CLASS 2 WIRING.

Table 97. Typical wiring diagram for CSTI unit with 3-phase single-stage electric heat



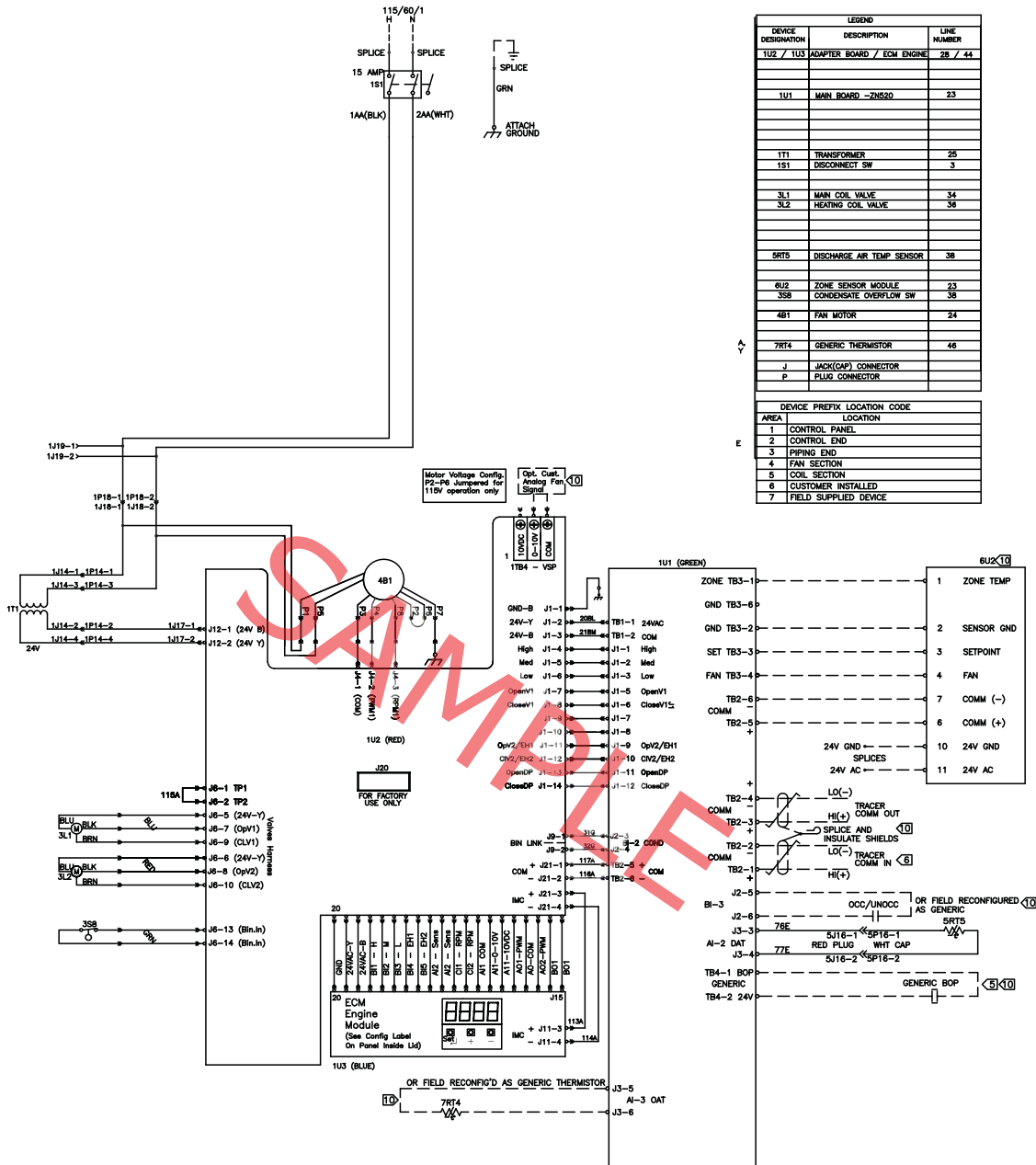
- NOTES:
- UNLESS OTHERWISE NOTED, ALL SWITCHES ARE SHOWN AT 25° C (77° F), AT ATMOSPHERIC PRESSURE, AT 50% RELATIVE HUMIDITY, WITH ALL UTILITIES TURNED OFF, AND AFTER A NORMAL SHUTDOWN HAS OCCURRED.
 - DASHED LINES INDICATE RECOMMENDED FIELD WIRING BY OTHERS. DASHED LINE ENCLOSURES AND/OR DASHED DEVICE OUTLINES INDICATE COMPONENTS PROVIDED BY THE FIELD. SOLID LINES INDICATE WIRING BY TRANE CO.
 - NUMBERS ALONG THE RIGHT SIDE OF THE SCHEMATIC DESIGNATE THE LOCATION OF CONTACTS BY LINE NUMBER.
 - ALL FIELD WIRING MUST BE IN ACCORDANCE WITH THE NATIONAL ELECTRIC CODE (NEC), STATE AND LOCAL REQUIREMENTS. ALL FIELD WIRING MUST HAVE AN INSULATION VOLTAGE RATING THAT EQUALS OR EXCEEDS UNIT RATED VOLTAGE.
 - COMMUNICATION WIRE MUST BE TRANE PART NO. 400-20-28, OR WINDY CITY OR CONNECT AIR "LEVEL 4" CABLE. MAXIMUM OF 4500 FOOT AGGREGATE RUN. CAUTION! DO NOT RUN POWER IN THE SAME CONDUIT OR WIRE BUNDLE WITH COMMUNICATION LINK. FOR ADDITIONAL INFORMATION REFER TO EMTX-EB-68.
 - RPM TO CFM CALIBRATION LINE DEPICTS THE INTENDED OPERATION RANGE FOR HORIZONTAL CONCEALED UNITS AND SHALL NOT BE USED FOR PERFORMANCE CALCULATIONS.
 - INCREASING SPEED PAST THE SCHEMATIC VALUE SHOWN IN THE CALIBRATION LINE MAY RESULT IN WATER CARRY OVER.
 - UNITS WITH ELECTRIC HEAT WILL NOT OPERATE BELOW MINIMUM REQUIRED CFM.
 - USE CLASS 2 WIRING.

Table 98. Typical wiring diagram ZN520 unit with 3-phase dual-stage electric heat and wireless zone sensor receiver



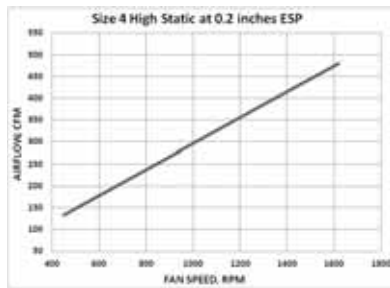
- NOTES:**
- UNLESS OTHERWISE NOTED, ALL SWITCHES ARE SHOWN AT 25° C (77° F), AT ATMOSPHERIC PRESSURE, AT 50% RELATIVE HUMIDITY, WITH ALL UTILITIES TURNED OFF, AND AFTER A NORMAL SHUTDOWN HAS OCCURRED.
 - DASHED LINES INDICATE RECOMMENDED FIELD WIRING BY OTHERS. DASHED LINE ENCLOSURES AND/OR DASHED DEVICE OUTLINES INDICATE COMPONENTS PROVIDED BY THE FIELD. SOLID LINES INDICATE WIRING BY TRANE CO.
 - NUMBERS ALONG THE RIGHT SIDE OF THE SCHEMATIC DESIGNATE THE LOCATION OF CONTACTS BY LINE NUMBER.
 - ALL FIELD WIRING MUST BE IN ACCORDANCE WITH THE NATIONAL ELECTRIC CODE (NEC), STATE AND LOCAL REQUIREMENTS; ALL FIELD WIRING MUST HAVE AN INSULATION VOLTAGE RATING THAT EQUALS OR EXCEEDS UNIT RATED VOLTAGE.
 - 1U1'S GENERIC BINARY OUTPUT IS RATED 24VAC, 12VA, PILOT DUTY.
 - COMMUNICATION WIRE MUST BE TRANE PART NO. 400-20-28, OR WINDY CITY OR CONNECT AIR *LEVEL 41 CABLE, MAXIMUM OF 4500 FOOT AGGREGATE RUN. CAUTION! DO NOT RUN POWER IN THE SAME CONDUIT OR WIRE BUNDLE WITH COMMUNICATION LINK. FOR ADDITIONAL INFORMATION REFER TO EMTX-EB-68.
 - RPM TO CFM CALIBRATION LINE DEPICTS THE INTENDED OPERATION RANGE FOR HORIZONTAL CONCEALED UNITS AND SHALL NOT BE USED FOR PERFORMANCE CALCULATIONS.
 - INCREASING SPEED PAST THE MAXIMUM VALUE SHOWN IN THE CALIBRATION LINE MAY RESULT IN WATER CARRY OVER.
 - UNITS WITH ELECTRIC HEAT WILL NOT OPERATE BELOW MINIMUM REQUIRED CFM.
 - USE CLASS 2 WIRING.

Table 99. Typical wiring diagram for Tracer® ZN520 unit with four-pipe configuration, condensate overflow switch, and wall-mounted zone sensor



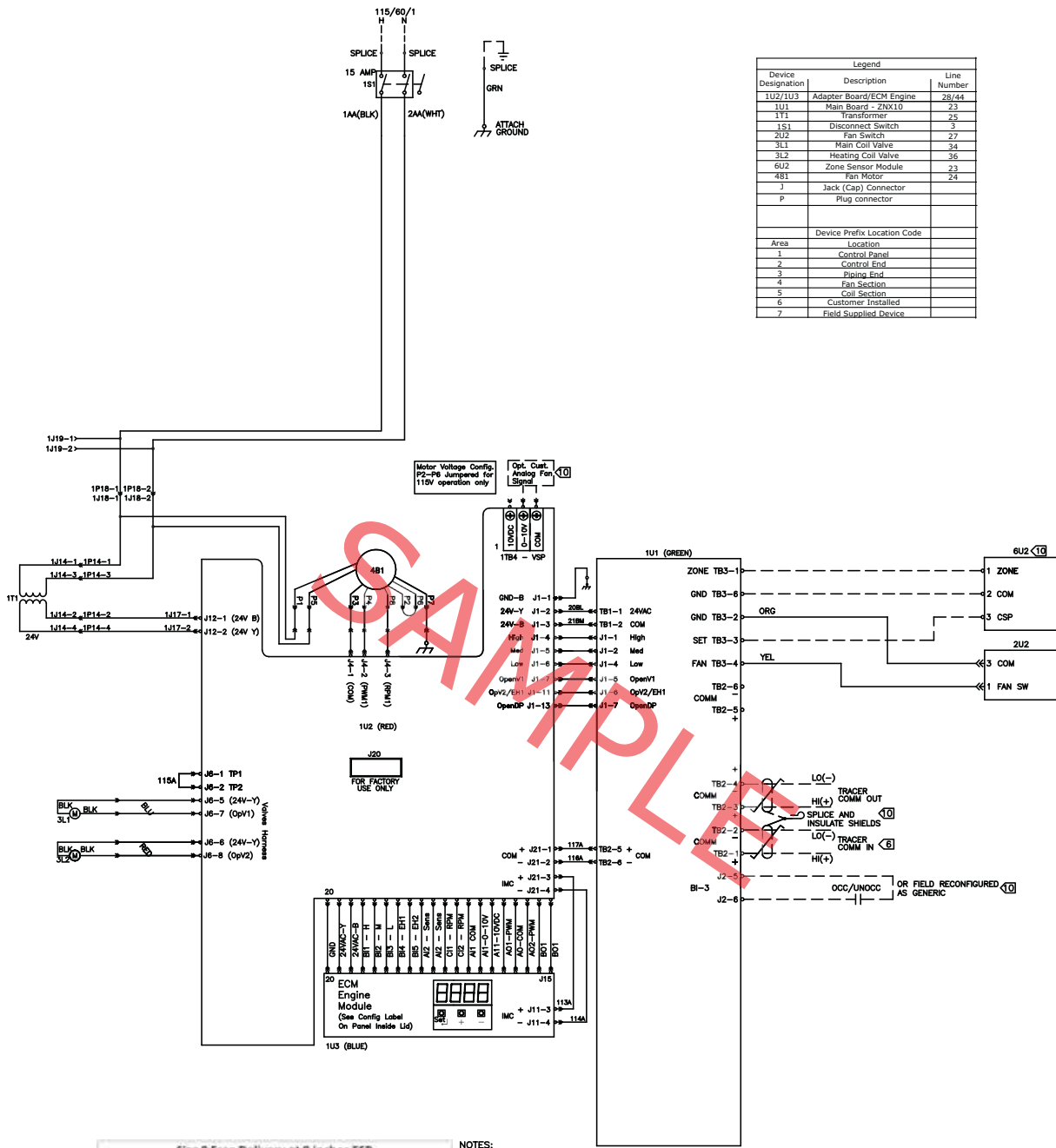
DEVICE DESIGNATION	LEGEND DESCRIPTION	LINE NUMBER
1U2 / 1U3	ADAPTER BOARD / ECM ENGINE	28 / 44
1U1	MAIN BOARD - ZN520	23
1T1	TRANSFORMER	25
1S1	DISCONNECT SW	3
3L1	MAIN COIL VALVE	34
3L2	HEATING COIL VALVE	36
5RT5	DISCHARGE AIR TEMP SENSOR	38
6U2	ZONE SENSOR MODULE	23
3S8	CONDENSATE OVERFLOW SW	38
4B1	FAN MOTOR	24
7RT4	GENERIC THERMISTOR	46
J	JACK/CONNECTION	
P	PLUG CONNECTOR	

DEVICE PREFIX	LOCATION CODE
AREA	LOCATION
1	CONTROL PANEL
2	CONTROL END
3	SPRING END
4	FAN SECTION
5	COIL SECTION
6	CUSTOMER INSTALLED
7	FIELD SUPPLIED DEVICE



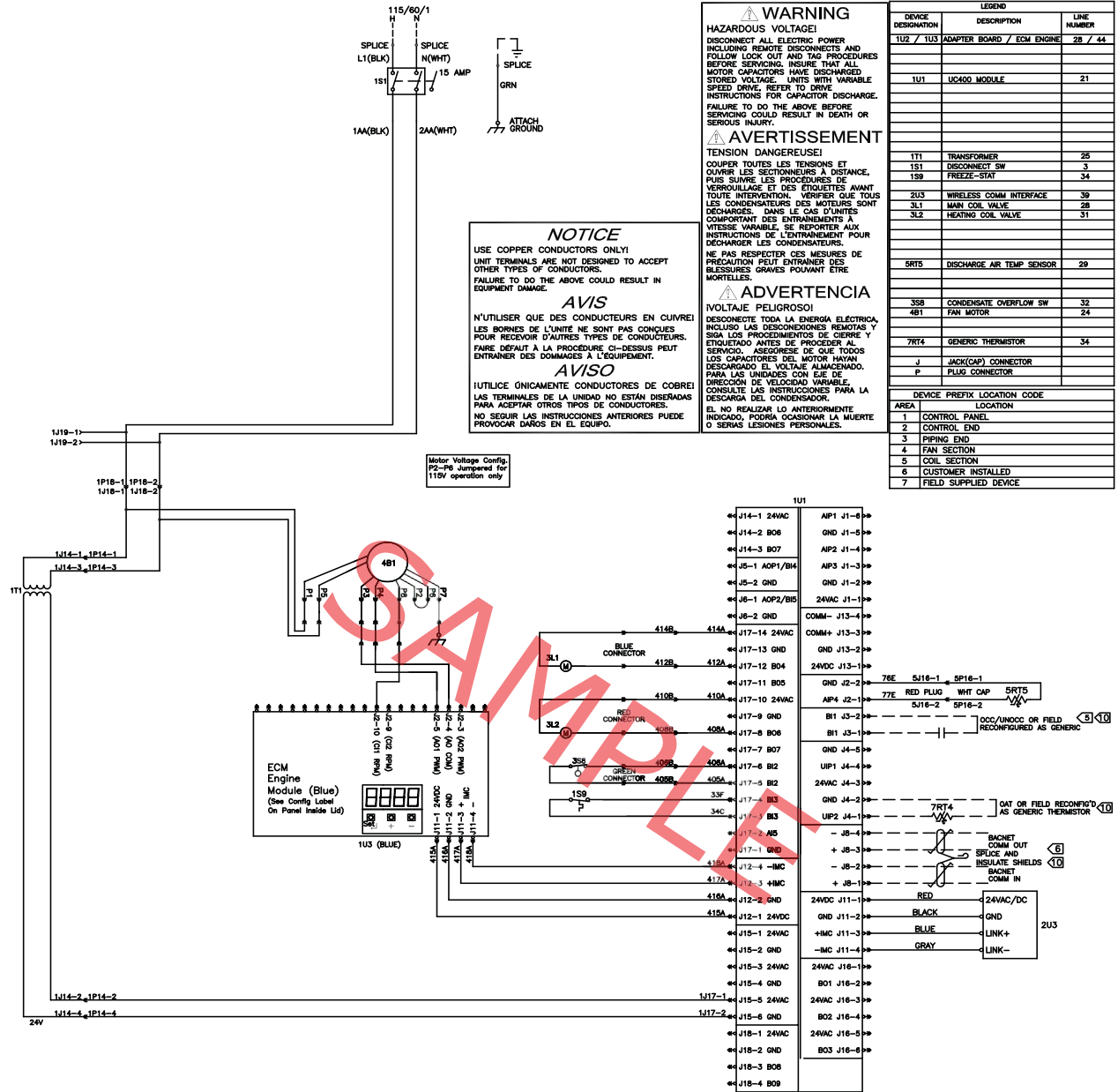
- NOTES:**
- UNLESS OTHERWISE NOTED, ALL SWITCHES ARE SHOWN AT 25° C (77° F), AT ATMOSPHERIC PRESSURE, AT 50% RELATIVE HUMIDITY, WITH ALL UTILITIES TURNED OFF, AND AFTER A NORMAL SHUTDOWN HAS OCCURRED.
 - DASHED LINES INDICATE RECOMMENDED FIELD WIRING BY OTHERS. DASHED LINE ENCLOSURES AND/OR DASHED DEVICE OUTLINES INDICATE COMPONENTS PROVIDED BY THE FIELD. SOLID LINES INDICATE WIRING BY TRANE CO.
 - NUMBERS ALONG THE RIGHT SIDE OF THE SCHEMATIC DESIGNATE THE LOCATION OF CONTACTS BY LINE NUMBER.
 - ALL FIELD WIRING MUST BE IN ACCORDANCE WITH THE NATIONAL ELECTRIC CODE (NEC), STATE AND LOCAL REQUIREMENTS. ALL FIELD WIRING MUST HAVE AN INSULATION VOLTAGE RATING THAT EQUALS OR EXCEEDS UNIT RATED VOLTAGE.
 - 1U1'S GENERIC BINARY OUTPUT IS RATED 24VAC, 12VA PILOT DUTY.
 - COMMUNICATION WIRE MUST BE TRANE PART NO. 400-20-28, OR WINDY CITY OR CONNECT AIR LEVEL 4" CABLE. MAXIMUM OF 4500 FOOT AGGREGATE RUN. CAUTION! DO NOT RUN POWER IN THE SAME CONDUIT OR WIRE BUNDLE WITH COMMUNICATION LINK. FOR ADDITIONAL INFORMATION REFER TO EMTX-EB-68.
 - RPM TO CFM CALIBRATION LINE DEPICTS THE INTENDED OPERATION RANGE FOR HORIZONTAL CONCEALED UNITS AND SHALL NOT BE USED FOR PERFORMANCE CALCULATIONS.
 - INCREASING SPEED PAST THE MAXIMUM VALUE SHOWN IN THE CALIBRATION LINE MAY RESULT IN WATER CARRY OVER.
 - UNITS WITH ELECTRIC HEAT WILL NOT OPERATE BELOW MINIMUM REQUIRED CFM.
 - USE CLASS 2 WIRING.

Table 100. Typical wiring diagram for Tracer® ZN510 unit with four-pipe configuration and split zone sensor/unit fan switch configuration



- NOTES:**
- UNLESS OTHERWISE NOTED, ALL SWITCHES ARE SHOWN AT 25° C (77° F), AT ATMOSPHERIC PRESSURE, AT 50% RELATIVE HUMIDITY, WITH ALL UTILITIES TURNED OFF, AND AFTER A NORMAL SHUTDOWN HAS OCCURRED.
 - DASHED LINES INDICATE RECOMMENDED FIELD WIRING BY OTHERS. DASHED LINE ENCLOSURES AND/OR DASHED DEVICE OUTLINES INDICATE COMPONENTS PROVIDED BY THE FIELD. SOLID LINES INDICATE WIRING BY TRANE CO.
 - NUMBERS ALONG THE RIGHT SIDE OF THE SCHEMATIC DESIGNATE THE LOCATION OF CONTACTS BY LINE NUMBER.
 - ALL FIELD WIRING MUST BE IN ACCORDANCE WITH THE NATIONAL ELECTRIC CODE (NEC), STATE AND LOCAL REQUIREMENTS. ALL FIELD WIRING MUST HAVE AN INSULATION VOLTAGE RATING THAT EQUALS OR EXCEEDS UNIT RATED VOLTAGE.
 - COMMUNICATION WIRE MUST BE TRANE PART NO. 400-20-28, OR WINDY CITY OR CONNECT AIR LEVEL 4 CABLE. MAXIMUM OF 4500 FOOT AGGREGATE RUN. CAUTION! DO NOT RUN POWER IN THE SAME CONDUIT OR WIRE BUNDLE WITH COMMUNICATION LINK. FOR ADDITIONAL INFORMATION REFER TO EMTX-EB-68.
 - RPM TO CFM CALIBRATION LINE DEPICTS THE INTENDED OPERATION RANGE FOR HORIZONTAL CONCEALED UNITS AND SHALL NOT BE USED FOR PERFORMANCE CALCULATIONS.
 - INCREASING SPEED PAST THE MAXIMUM VALUE SHOWN IN THE CALIBRATION LINE MAY RESULT IN WATER CARRY OVER.
 - UNITS WITH ELECTRIC HEAT WILL NOT OPERATE BELOW MINIMUM REQUIRED CFM.
 - USE CLASS 2 WIRING.

Table 101. Typical wiring for UC400-B controller with WCI



- NOTES:**
- UNLESS OTHERWISE NOTED, ALL SWITCHES ARE SHOWN AT 32° C (77° F), AT ATMOSPHERIC PRESSURE, AT 50% RELATIVE HUMIDITY, WITH ALL UTILITIES TURNED OFF, AND AFTER A NORMAL SHUTDOWN HAS OCCURRED.
 - DASHED LINES INDICATE RECOMMENDED FIELD WIRING BY OTHERS. DASHED LINE ENCLOSURES AND/OR DASHED DEVICE OUTLINES INDICATE COMPONENTS PROVIDED BY THE FIELD. SOLID LINES INDICATE WIRING BY TRANE CO.
 - NUMBERS ALONG THE RIGHT SIDE OF THE SCHEMATIC DESIGNATE THE LOCATION OF CONTACTS BY LINE NUMBER.
 - ALL FIELD WIRING MUST BE IN ACCORDANCE WITH THE NATIONAL ELECTRIC CODE (NEC), STATE AND LOCAL REQUIREMENTS. ALL FIELD WIRING MUST HAVE AN INSULATION VOLTAGE RATING THAT EQUALS OR EXCEEDS UNIT RATED VOLTAGE.
- Ⓜ U1'S GENERIC BINARY OUTPUT IS RATED 24VAC, 12VA, PILOT DUTY.

- Ⓜ COMMUNICATION WIRE MUST BE TRANE PART NO. 400-20-28, OR WIRING CITY OR CONNECT AIR LEVEL 4" CABLE, MAXIMUM OF 4500 FOOT AGGREGATE RUN. CAUTION! DO NOT RUN POWER IN THE SAME CONDUIT OR WIRE BUNDLE WITH COMMUNICATION LINK. FOR ADDITIONAL CONDUIT OR WIRE BUNDLE WITH COMMUNICATION INFORMATION REFER TO EMF-ES-86.
- 7 RPM TO CFM CALIBRATION LINE DEPICTS THE INTENDED OPERATION RANGE FOR HORIZONTAL, CONCEALED UNITS AND SHALL NOT BE USED FOR PERFORMANCE CALCULATIONS.
- 8 INCREASING SPEED PAST THE MAXIMUM VALUE SHOWN IN THE CALIBRATION LINE MAY RESULT IN WATER CARRY OVER.
- 9 UNITS WITH ELECTRIC HEAT WILL NOT OPERATE BELOW MINIMUM REQUIRED CFM.
- Ⓜ USE CLASS 2 WIRING.



Ingersoll Rand (NYSE:IR) advances the quality of life by creating comfortable, sustainable and efficient environments. Our people and our family of brands—including Club Car®, Ingersoll Rand®, Thermo King® and Trane®—work together to enhance the quality and comfort of air in homes and buildings; transport and protect food and perishables; and increase industrial productivity and efficiency. We are a global business committed to a world of sustainable progress and enduring results.



ingersollrand.com

Ingersoll Rand has a policy of continuous product and product data improvement and reserves the right to change design and specifications without notice.
We are committed to using environmentally conscious print practices.