

New HFCE:

Unit Model	External Dimensions (mm)				Motor Qty	Fan Qty
	A	B	C	D		
HFCE 02	440	468	648	526	1	1
HFCE 03	590	618	798	676	1	2
HFCE 04	690	718	898	776	1	2
HFCE 05	770	798	978	856	1	2
HFCE 06	970	998	1183	1056	1	2
HFCE 08	1210	1238	1423	1296	2	3
HFCE 10	1330	1358	1543	1416	2	4
HFCE 12	1570	1598	1783	1656	2	4
HFCE 14	1750	1778	1963	1836	2	4

Old HFCE:

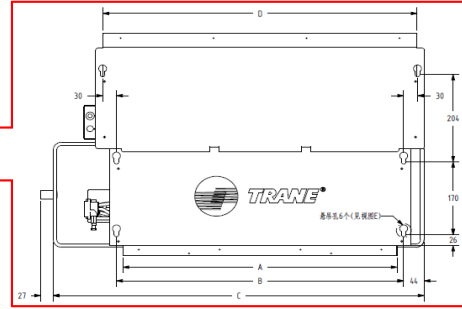
Unit Model	External Dimensions (mm)				Motor Qty	Fan Qty
	A	B	C	D		
HFCE 02	458	485	648	547	1	1
HFCE 03	693	720	883	782	1	2
HFCE 04	793	820	983	882	1	2
HFCE 05	913	940	1103	1002	1	2
HFCE 06	963	990	1153	1052	1	2
HFCE 08	1243	1270	1433	1332	2	3
HFCE 10	1493	1520	1683	1582	2	4
HFCE 12	1663	1690	1853	1752	2	4
HFCE 14	1793	1820	1983	1882	2	4

New HFCE:

Unit Model	External Dimensions (mm)			
	Air Inlet		Air Outlet	
	D	H	A	H
HFCE 02	526	198	440	152
HFCE 03	676	198	590	152
HFCE 04	776	198	690	152
HFCE 05	856	198	770	152
HFCE 06	1056	198	970	152
HFCE 08	1296	198	1210	152
HFCE 10	1416	198	1330	152
HFCE 12	1656	198	1570	152
HFCE 14	1836	198	1750	152

Old HFCE:

Unit Model	External Dimensions (mm)			
	Air Inlet		Air Outlet	
	A	B	A	B
HFCE 02	475	198	458	145
HFCE 03	710	198	693	145
HFCE 04	810	198	793	145
HFCE 05	930	198	913	145
HFCE 06	980	198	963	145
HFCE 08	1260	198	1243	145
HFCE 10	1510	198	1493	145
HFCE 12	1680	198	1663	145
HFCE 14	1810	198	1793	145

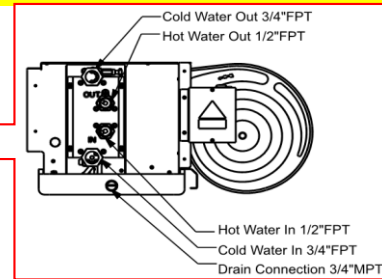


New HFCE:

2 Pipe Cooling	
Cold Water Outlet	3/4" FPT
Cold Water Inlet	3/4" FPT
4 Pipe Cooling	
Cold Water Outlet	3/4" FPT
Cold Water Inlet	3/4" FPT
Hot Water Outlet	1/2" FPT
Hot Water Inlet	1/2" FPT
Drain Connection	3/4" MPT

Old HFCE:

2 Pipe Cooling	
Cold Water Outlet	3/4" FPT
Cold Water Inlet	3/4" FPT
4 Pipe Cooling	
Cold Water Outlet	3/4" FPT
Cold Water Inlet	3/4" FPT
Hot Water Outlet	3/4" FPT
Hot Water Inlet	3/4" FPT
Drain Connection	3/4" MPT

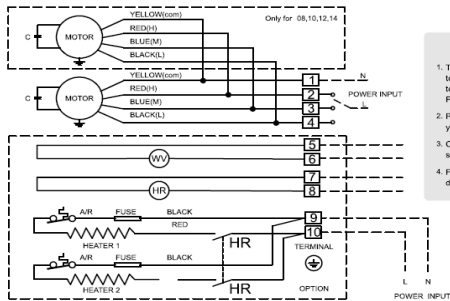


New HFCE:

Wiring Diagram Exactly Alike

Old HFCE:

Wiring Diagram Exactly Alike



WARNING:

- Two or more different model FCU be line in one temperature controller is forbidden, and one temperature controller used for two same model FCU is maximum.
- Please cut off the power before repairing, or you will cause severe electrical shock!
- Only qualified personnel should install and service the equipment.
- For wiring and installation, refer to the wiring diagram decals on each unit.

C-Fan Capacitor	Unit Wiring
HR-Heater relay	Field Wiring
VV-Water Valve	
AR/Auto Reset Temp Cutout	Please find the power form from the nameplate