



## Installation and operation manual

### Wireless Control Receiver for Concealed Unit U-Match Inverter Systems MultiSplit Inverter Systems



#### **⚠ SAFETY WARNING**

Only qualified personnel should install and service the equipment. The installation, starting up, and servicing of heating, ventilating, and air-conditioning equipment can be hazardous and requires specific knowledge and training. Improperly installed, adjusted or altered equipment by an unqualified person could result in death or serious injury. When working on the equipment, observe all precautions in the literature and on the tags, stickers, and labels that are attached to the equipment.

April 2021

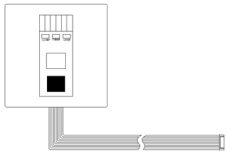


**MS-SVX080A-EN**

**TRANE**  
TECHNOLOGIES

Confidential and proprietary Trane information

## Before Installation and Operation

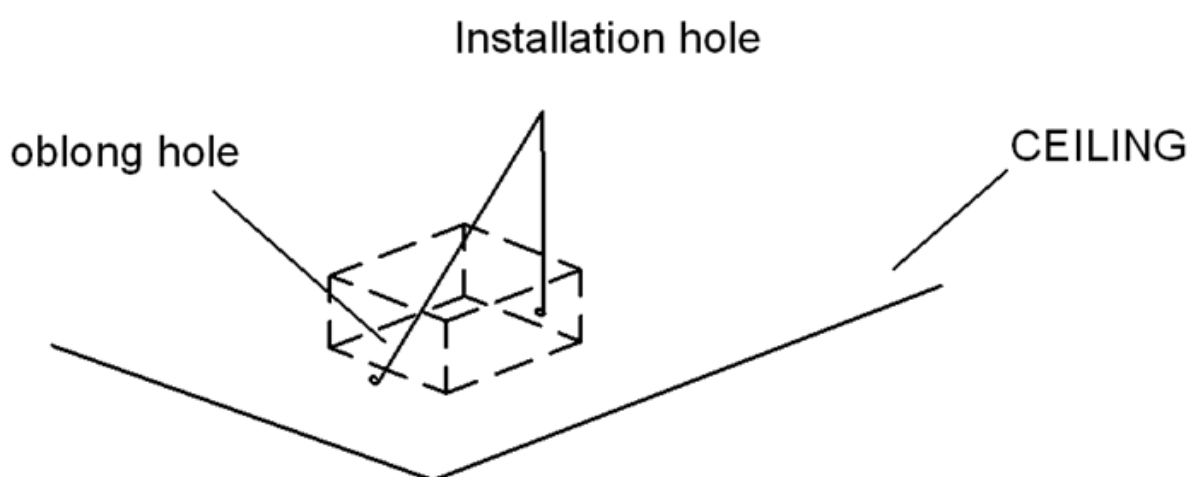
The packaging contains the following items. Check the contents and the number of pieces.

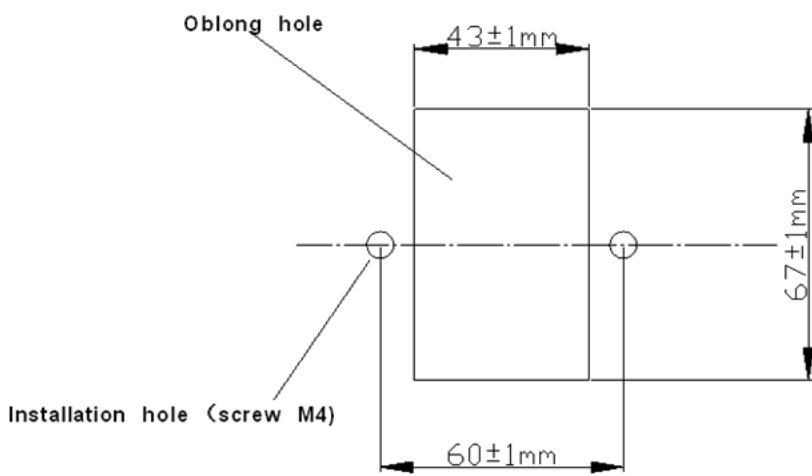
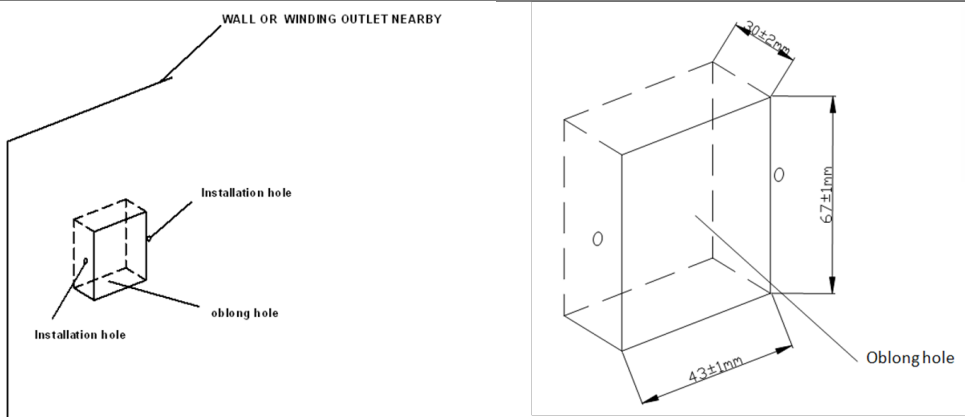
Name		Quantity	Comments
Remote receiver		1	With connection cable
Belt		1	To fix the cable
Screw		2	To fix the receiver to the wall or ceiling(M4,25mm)

## Installation

Step1:

Make sure there are one oblong hole and two screw installation holes on the installation place(ceiling or wall or winding outlet nearby).

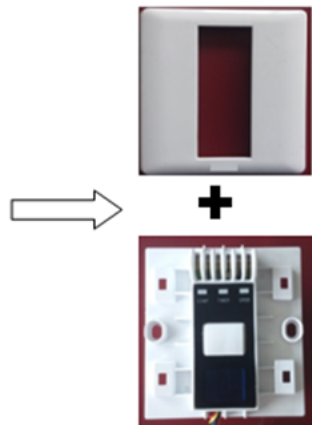




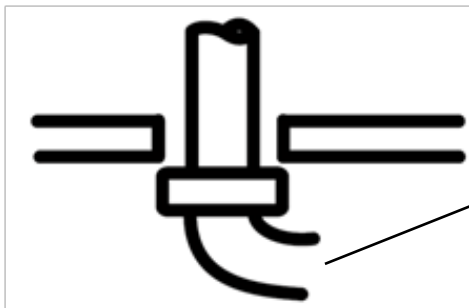
Step2:

Remove the cover by a flat-blade screwdriver





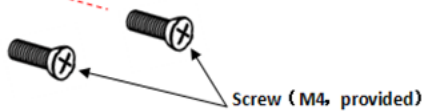
Step3: Pass the connecting wiring through the groove and pass it through the hole slit (the groove not provided)



connecting Wire

Step4:

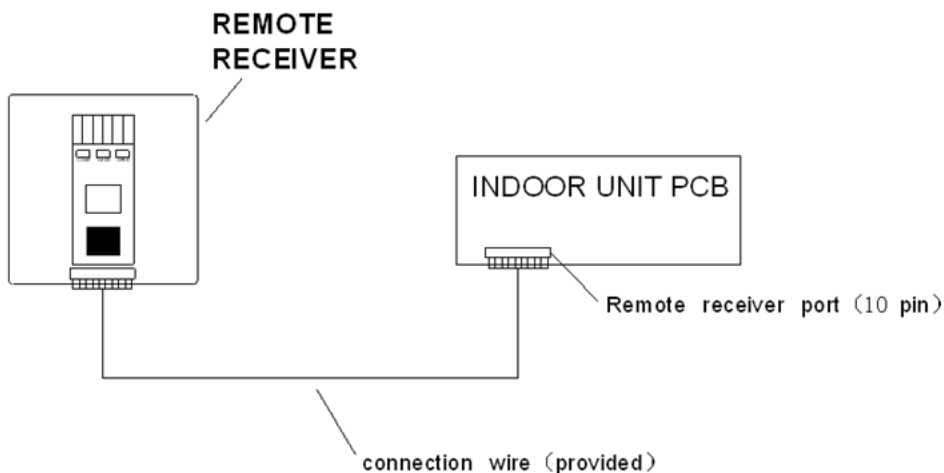
Fix the receiver to the chosen installation place by 2 M4 screw(provided).



Step5: Install the cover



## Wiring method



To find the remote receiver port on indoor unit PCB (please refer to the indoor unit wiring diagram)

## Ports and functions

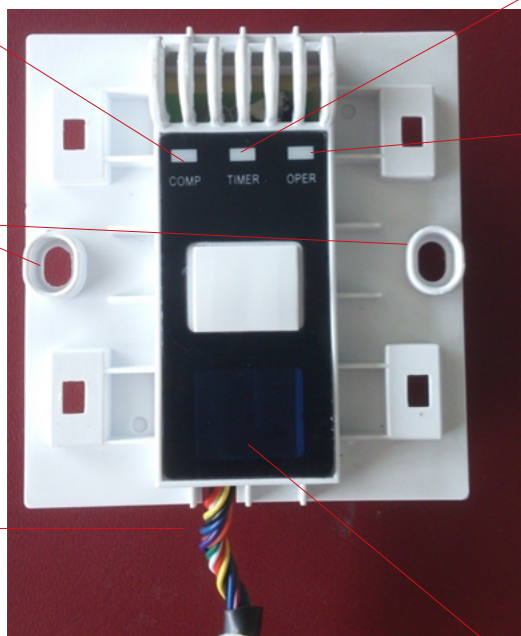
COMP: Compressor indicator (light when compressor running)

TIMER: timer indicator (light when set the timer function)

Installation hole

OPER: Power indicator (light when the indoor unit was set to on state) Emergency switch: Press to shut down the units when the indoor unit was in ON state (Press to start the units in auto mode when the indoor unit was in OFF state (setting temperature 24))

Wire: connect the indoor unit PCB and receiver



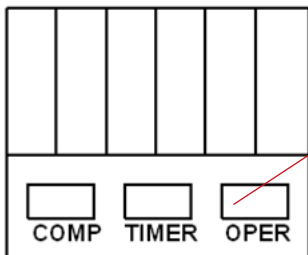
Signal receive window

## Malfunction indication

Indication of indoor unit alarm code.

The indoor unit malfunction can be indicated by the controller's LED light "OPER":

LED "OPER" flash times correspond to the indoor unit error code, for example: "OPER" flash 3 times, the unit error code will be 3.



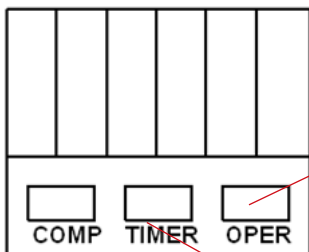
Flash times stand for indoor unit error code (the premise is TIMER is not flashing)

Indication of outdoor unit alarm code.

For the outdoor failure, timer LED and running LED will indicate, the method as follows:

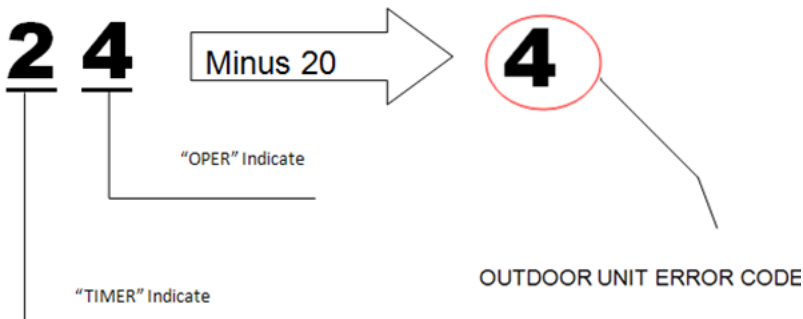
Flash times of the "TIMER" stands for ten's place and flash times of the "OPER" stands for one's place.

"TIMER" will flash firstly, 2 seconds later, "OPER" will flash too. After that, 4 seconds later, they will flash in turns again. Flash times equals to the outdoor unit error code plus 20. For example, if the failure code of outdoor is 4, the LED "TIMER" will flash 2 times, then "OPER" flashes 4 times.



Flash times stands for one's place

Flash times stands for ten's place



Refer to the maintenance manual or the trouble shooting list to get the information about the error code.

**Note:**

***this malfunction indication is used for R410a super match classic series, Smart power series, R32 match plus series.***

Trane - by Trane Technologies (NYSE: TT), a global climate innovator - creates comfortable, energy efficient indoor environments for commercial and residential applications. For more information, please visit [trane.com](http://trane.com) or [tranetechnologies.com](http://tranetechnologies.com).

Trane has a policy of continuous product and product data improvement and reserves the right to change design and specifications without notice. We are committed to using environmentally conscious print practices.