

# INDOOR UNIT BRANCH PIPE INSTALLATION MANUAL

Thank you very much for purchasing our air conditioner, Before using your air conditioner , please read this manual carefully and keep it for future reference.

## Branch List

Branch Pipe	Gas Pipe Branch	Liquid Pipe Branch	Insulation
TRIJ095HRU			 (2 sets)

Table 1. Branch Pipe Specifications

Model	TRIJ095HRU	
Max. total capacity of downstream indoor unit	28kw	
Branch piping diameter (liquid pipe)	Inlet	Outlet
	9.52	9.52
Branch piping diameter (gas pipe)	Inlet	Outlet
	15.9	22.2

## Branch Pipe Kit Placement

### CAUTION

0.5m minimum straight pipe required after branch pipe kit to prevent capacity loss and equipment damage.

Provide 0.5m to 1.0m of straight pipe after each branch pipe kit to avoid creating refrigerant turbulence and flash points. Failure to follow 0.5m minimum guideline can lead to reduced capacity and equipment damage. Support piping on both sides of the header kit.

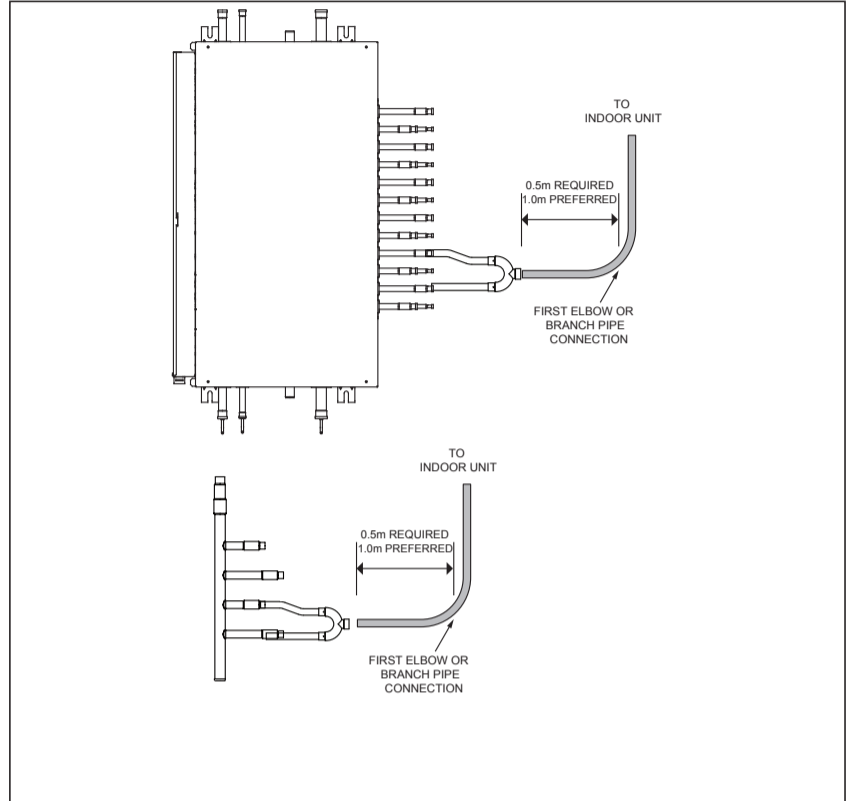
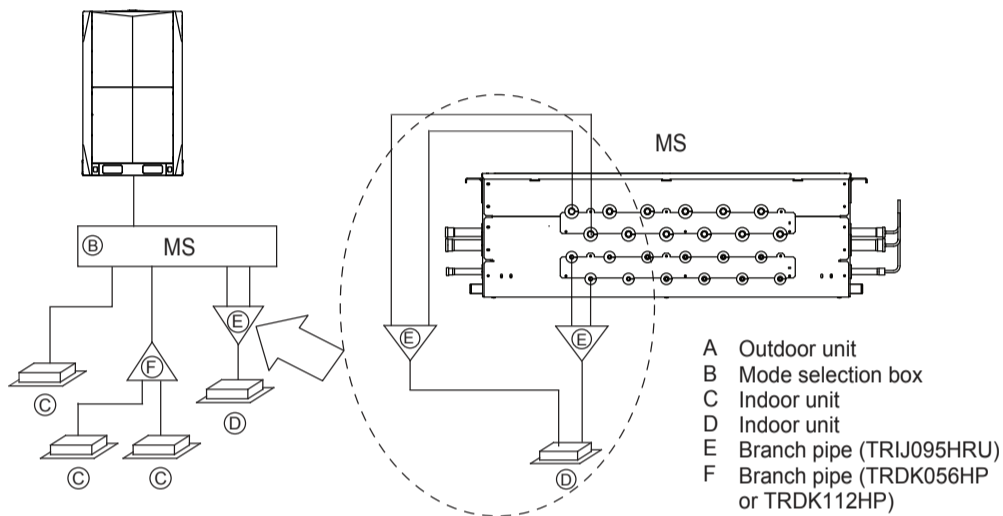


Figure 2. 0.5m to 1.0m of Straight Pipe Before and After Branch Pipe Kit

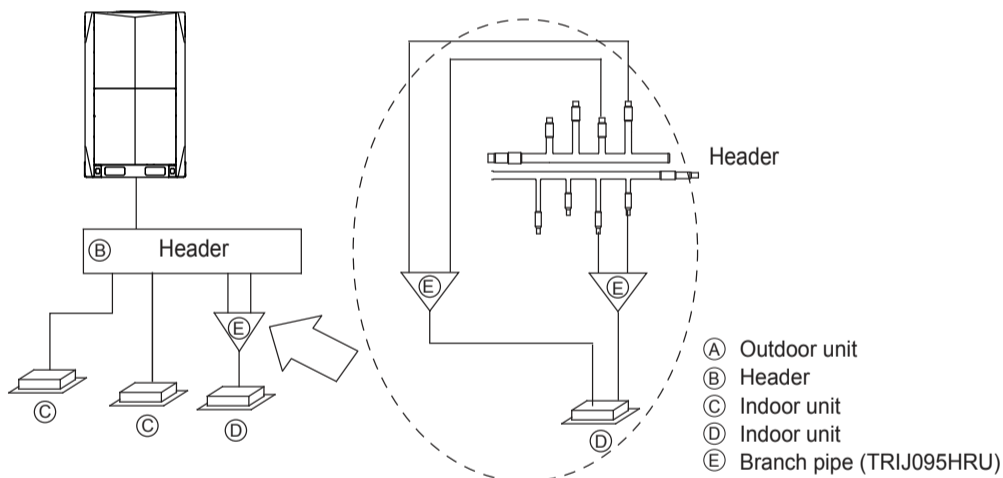
## Installation

- Keep all components sealed until brazing.
- Field provided piping consists of one HVAC/R rated copper line connected to each one of brancher in the branch pipe kit.
- Final equipment connections must be brazed or flared connections. Compression or other types of fittings are not permitted for final connections.
- Refrigerant lines must be connected by a qualified technician in accordance with established procedures.
- Copper-phosphorous brazing alloys are to be used to join all pipework connections where applicable.
- Always flow/purge nitrogen to avoid oxidation while brazing.
- After refrigerant piping has been installed and checked for leaks, apply the provided insulation over the header kit. All lines must be individually insulated.
- Refer to the outdoor unit installation instructions and product specifications (EHB) bulletin for more detailed information on refrigerant piping connections.

## Refrigerant Piping Details - Mode Selection Box



## Refrigerant Piping Details - Header



### NOTE:

Indoor units with a capacity more than 16 kW should be connected to 2 ports merged in a multi MS box using branch joints (TRIJ095HRU). Merged ports must start on an odd number and with the next sequential even number. And if a single MS box is used, the downstream indoor units can be up to a maximum capacity of 32 kW.